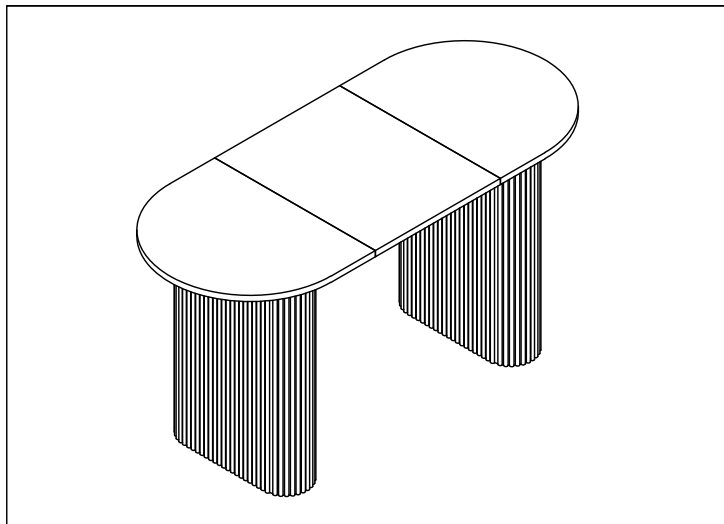


Installation & Assembly



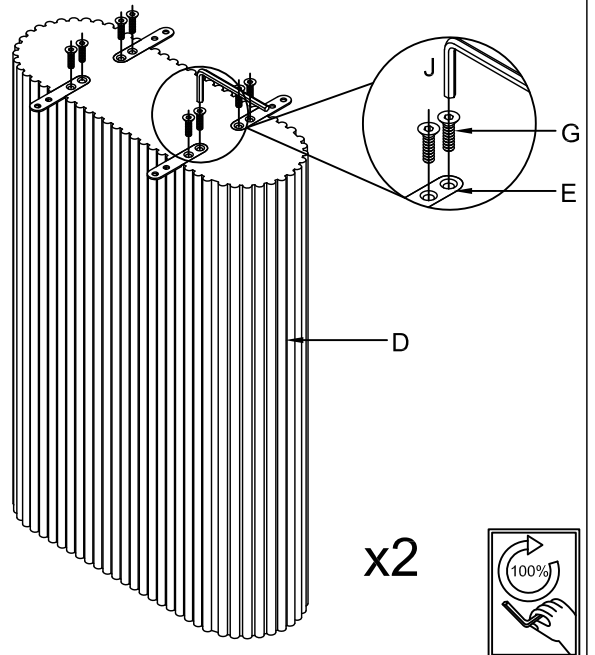
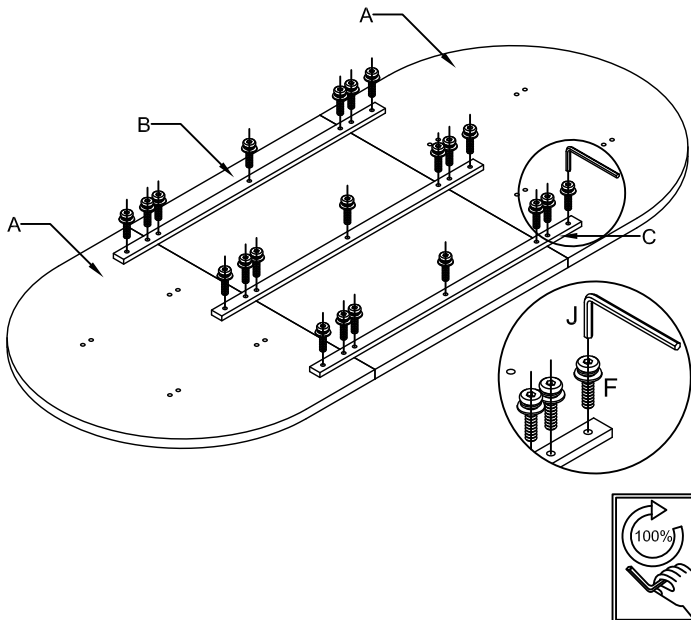
Ax2 	Bx1 	Cx3 	Dx2 	Ex8
Fx21 	Gx16 	Hx8 	Ix12 	Jx1
SPARE(Ersatzteile)				
Fx1 	Gx1 	Hx1 	Ix1 	

Step1

F		21
J		1

Step2

G		16
J		1



Step3

H		16
I		16
J		1

Step4

