

# *ASSEMBLY INSTRUCTIONS*



***DINING TABLE***

# ASSEMBLY INSTRUCTIONS

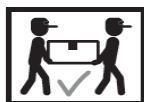
## ASSEMBLY TIPS:

1. Remove hardware from box and sort by size.
2. Please check to see that all hardware and parts are present prior to start of assembly.
3. Please follow attached instructions in the same sequence as numbered to assure fast & easy assembly.



### WARNING!





1. Don't attempt to repair or modify parts that are broken or defective. Please contact the store immediately.
2. This product is for home use only and not intended for commercial establishments.



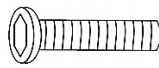

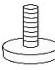

ASSEMBLY TIME

15 MINUTES

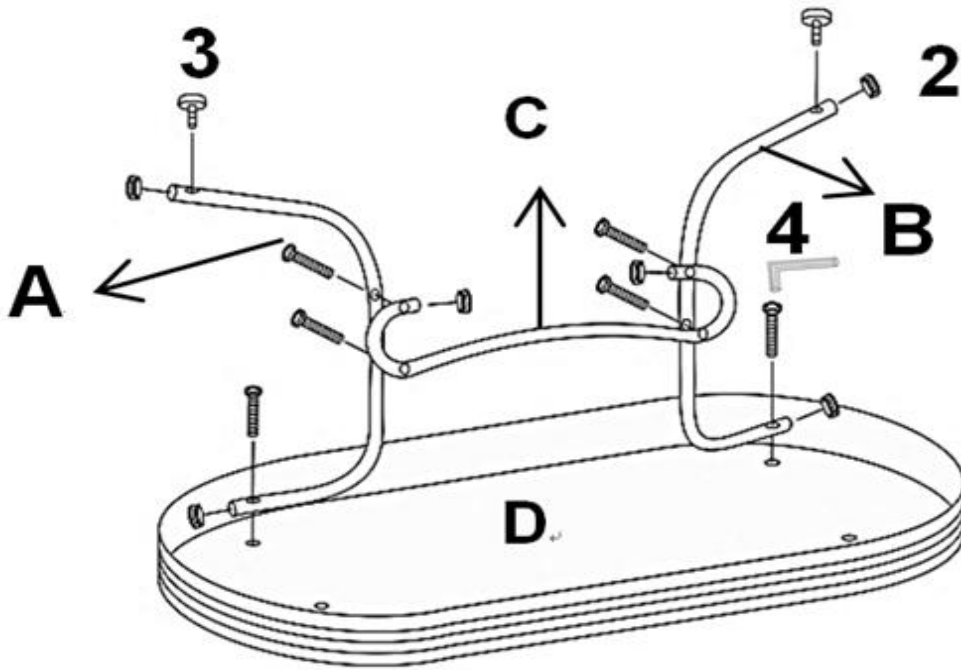
## PARTS IDENTIFICATION

A	LEG		2PCS
B	LEG		2PCS
C	TRESTLE TUBE		1PC
D	TABLE TOP		1PC

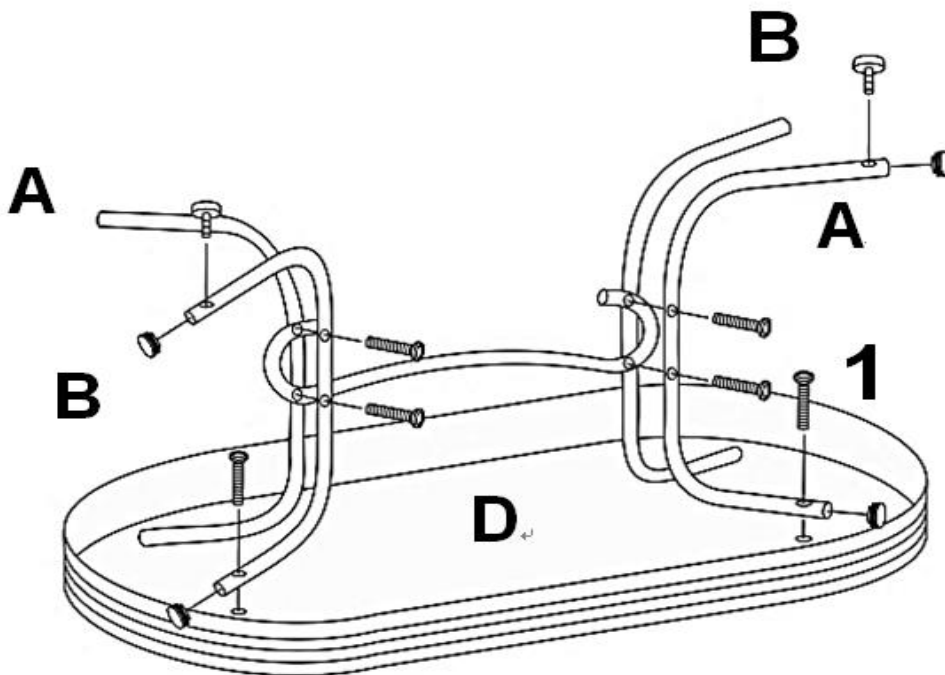
## HARDWARE IDENTIFICATION

1	BOLT (1/4" x 38mm)		12PCS
2	END CAP		10PCS
3	LEVELER		4PCS
4	WRENCH (4mm)		1PC

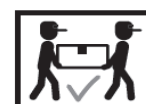
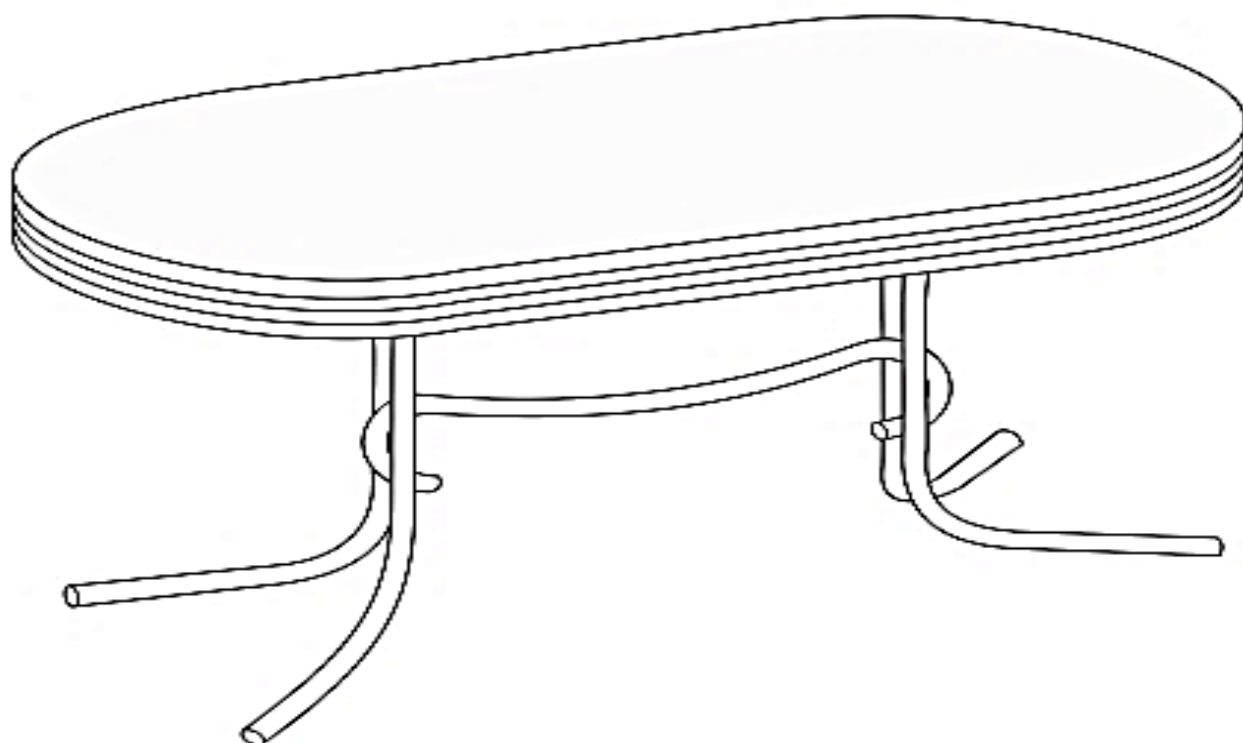
**ASSEMBLY INSTRUCTIONS**  
**STEP 1**

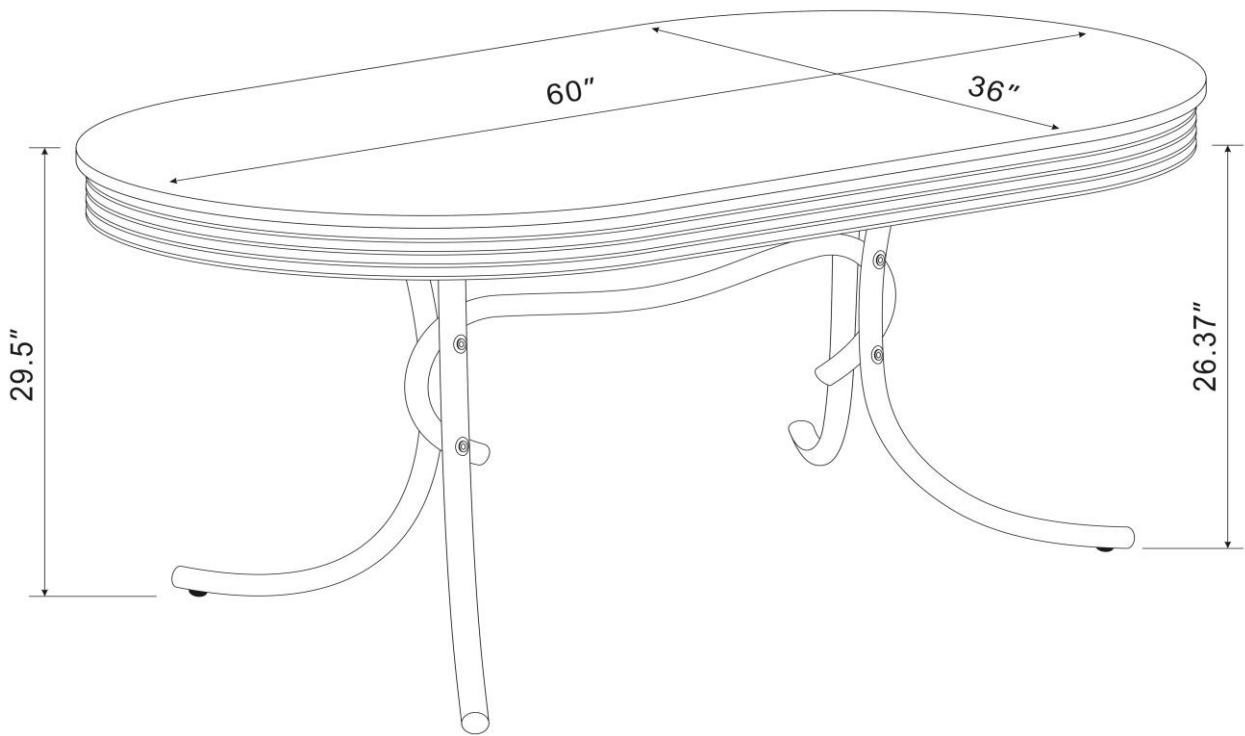


**STEP 2**



**ASSEMBLY INSTRUCTIONS**  
**STEP 3**  
**COMPLETE**





**Note :** Dimension tolerance  $\pm 5\%$