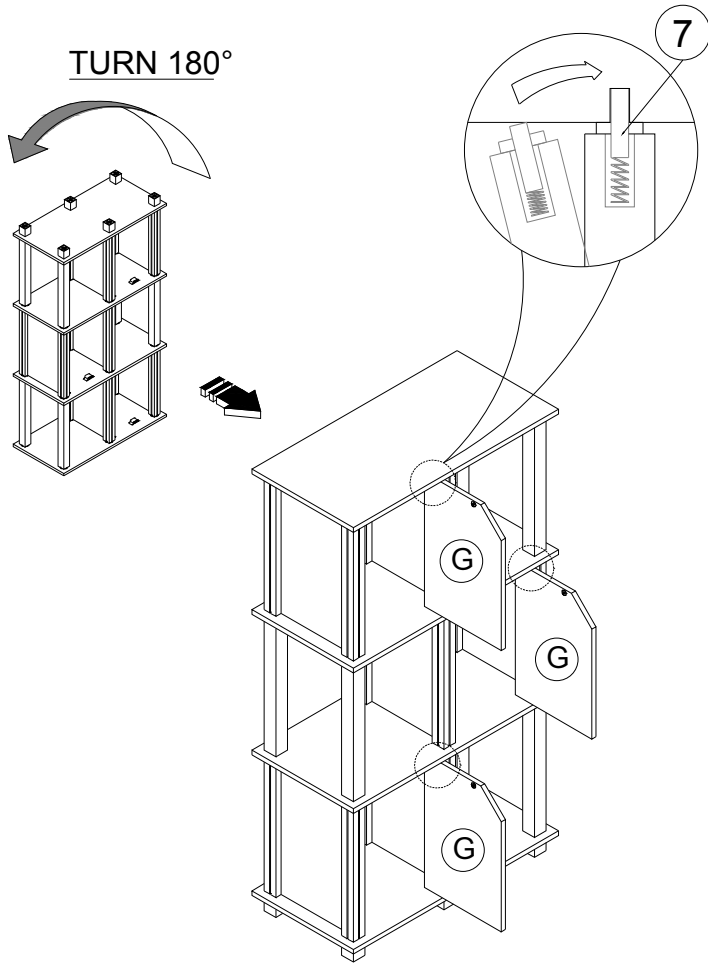





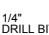


STEP 6

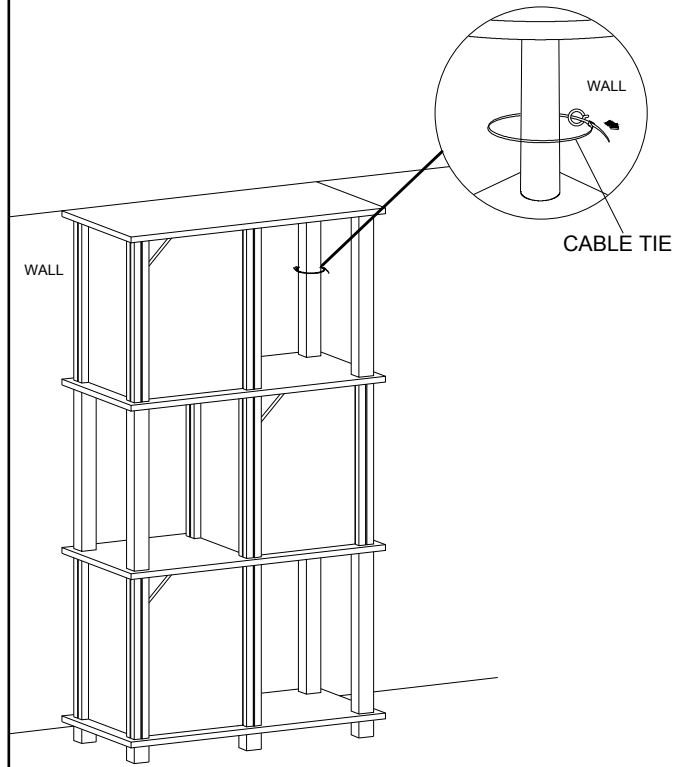
TURN 180°



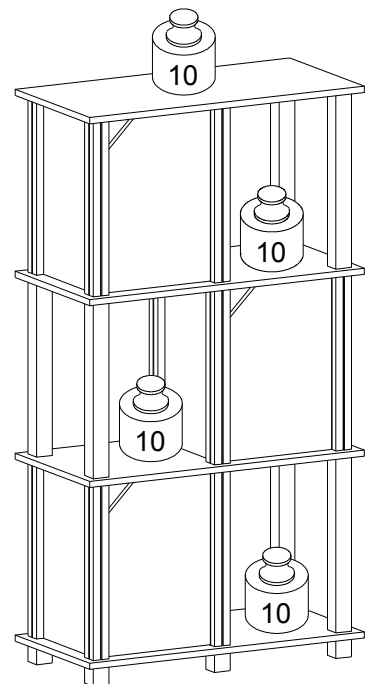
STEP 7

PLEASE FOLLOW BELOW INSTRUCTION TO PREVENT PRODUCT TIP OVER.

HARDWARE LIST			QTY
 WALL PLUG	 EYELET SCREW	 CABLE TIE	1 SET
 1/4" DRILL BIT	 WALL PLUG	 EYELET SCREW	



Recommended Maximum Weight



*Unit in Pound(lbs.)

WARNING:

>This unit has been designed to support the maximum loads shown. Exceeding these load limits could cause sagging, instability, product collapse, and/or serious injury.

>DO NOT allow children to climb on unit.

> Put heavier items on lower shelves.

Assembly Instruction

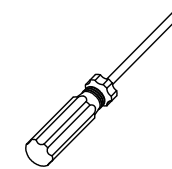
4-Tier Storage Shelf With 3 Doors

00:30

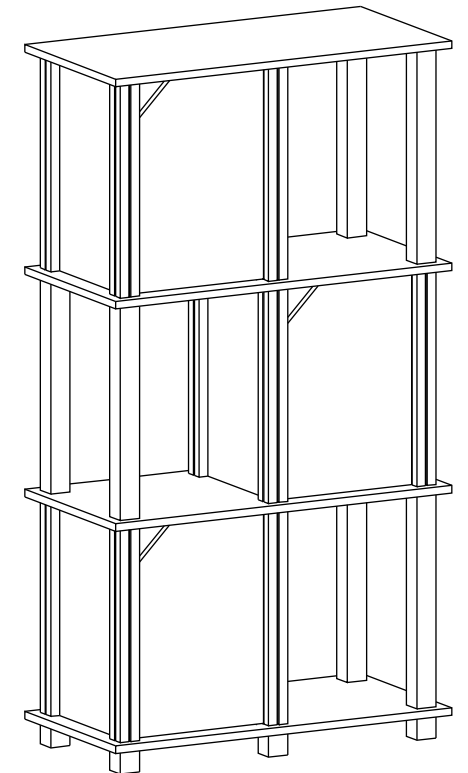
Approx. 30 minutes



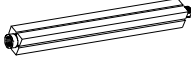
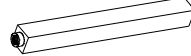






Recomm. 2 Persons



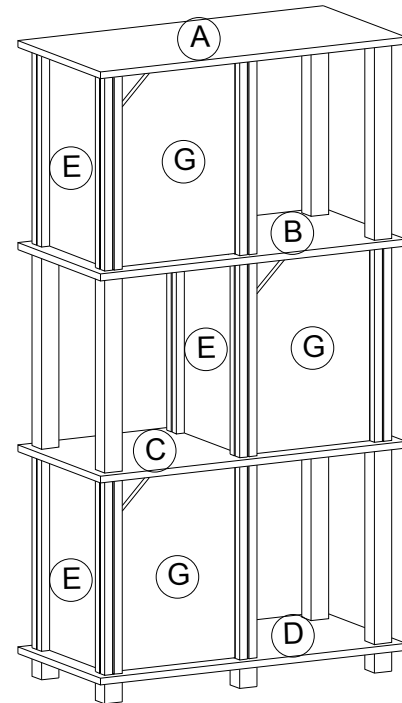
Tools Required



HARDWARE & PARTS LIST

NO	HARDWARE LIST	QTY
1	SQ LONG POLE WITH GROOVE 	12pcs
2	SQ LONG POLE 	6pcs
3	SQ LEG 	6pcs
4	ROUND RING 	12pcs
5	MAGNET 	3pcs
6	FLAT SCREW 	3pcs
7	DOOR SPRING SUPPORT 	6pcs
8	WALL MOUNTING SET 	1 set

NO	PARTS LIST	QTY
A	TOP PANEL	1pc
B	2ND SHELF PANEL	1pc
C	3RD SHELF PANEL	1pc
D	BOTTOM PANEL	1pc
E	SIDE PANEL	6pcs
F	BACK PANEL	3pcs
G	DOOR PANEL	3pcs



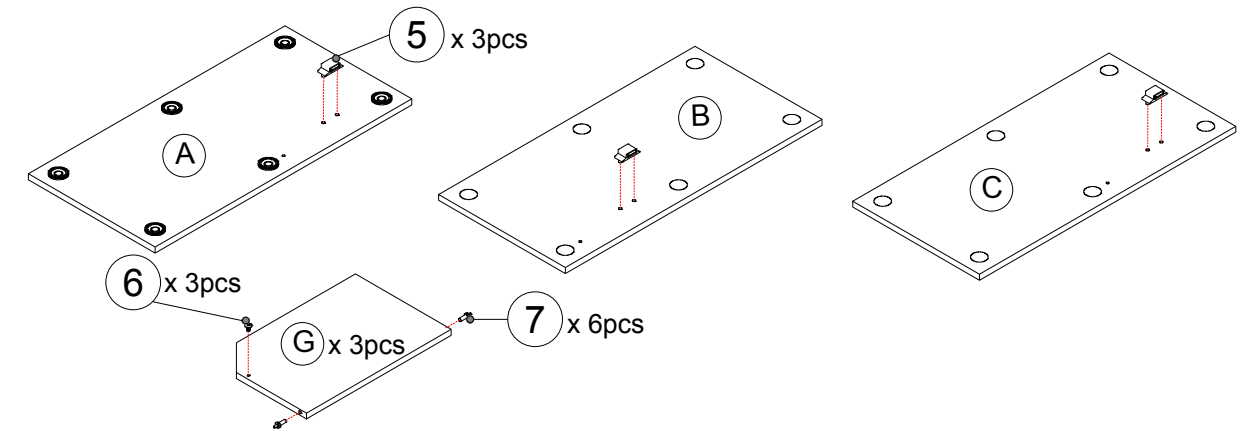
USEFUL HINTS BEFORE YOU START:

1. Read each step carefully before starting.
2. It is important that each step is performed in correct order to avoid difficulties.
3. Identify, sort and count the parts before assembly.
4. Assemble your furniture on packaging cardboard to prevent scratch or damage.
5. Clean the product with mild cleanser using soft damped cloth. Do not use harsh or abrasive cleanser.
6. Using incompatible hardware might cause damage to product.

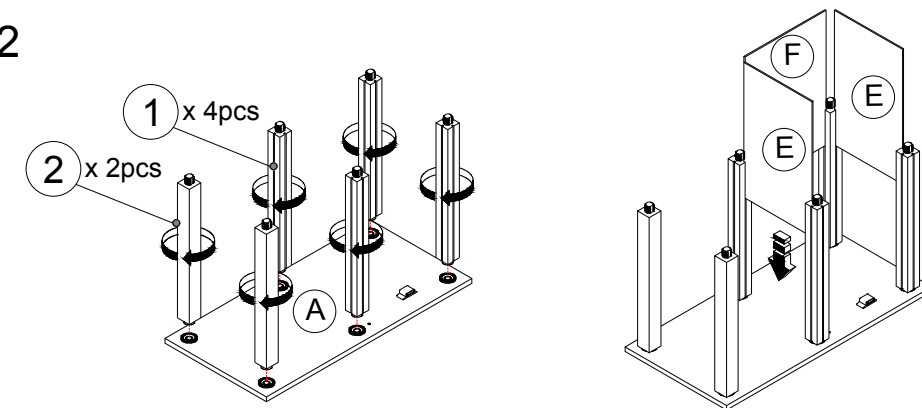
ASSEMBLY INSTRUCTIONS

BEFORE YOU BEGIN, PLEASE READ ASSEMBLY INSTRUCTION CAREFULLY, FOLLOW THEM STEP BY STEP.

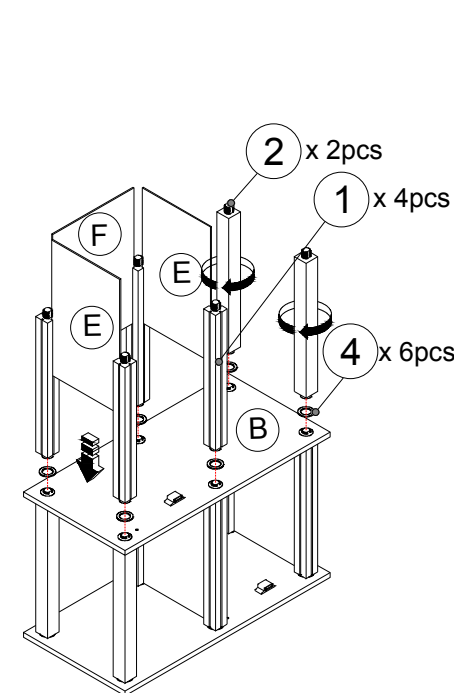
STEP 1



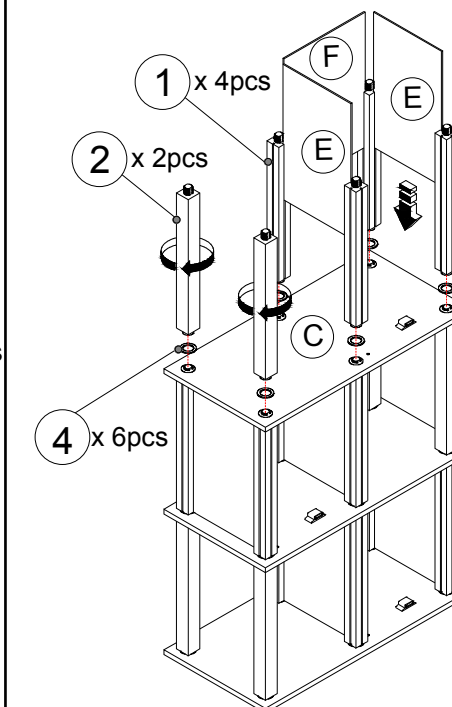
STEP 2



STEP 3



STEP 4



STEP 5

