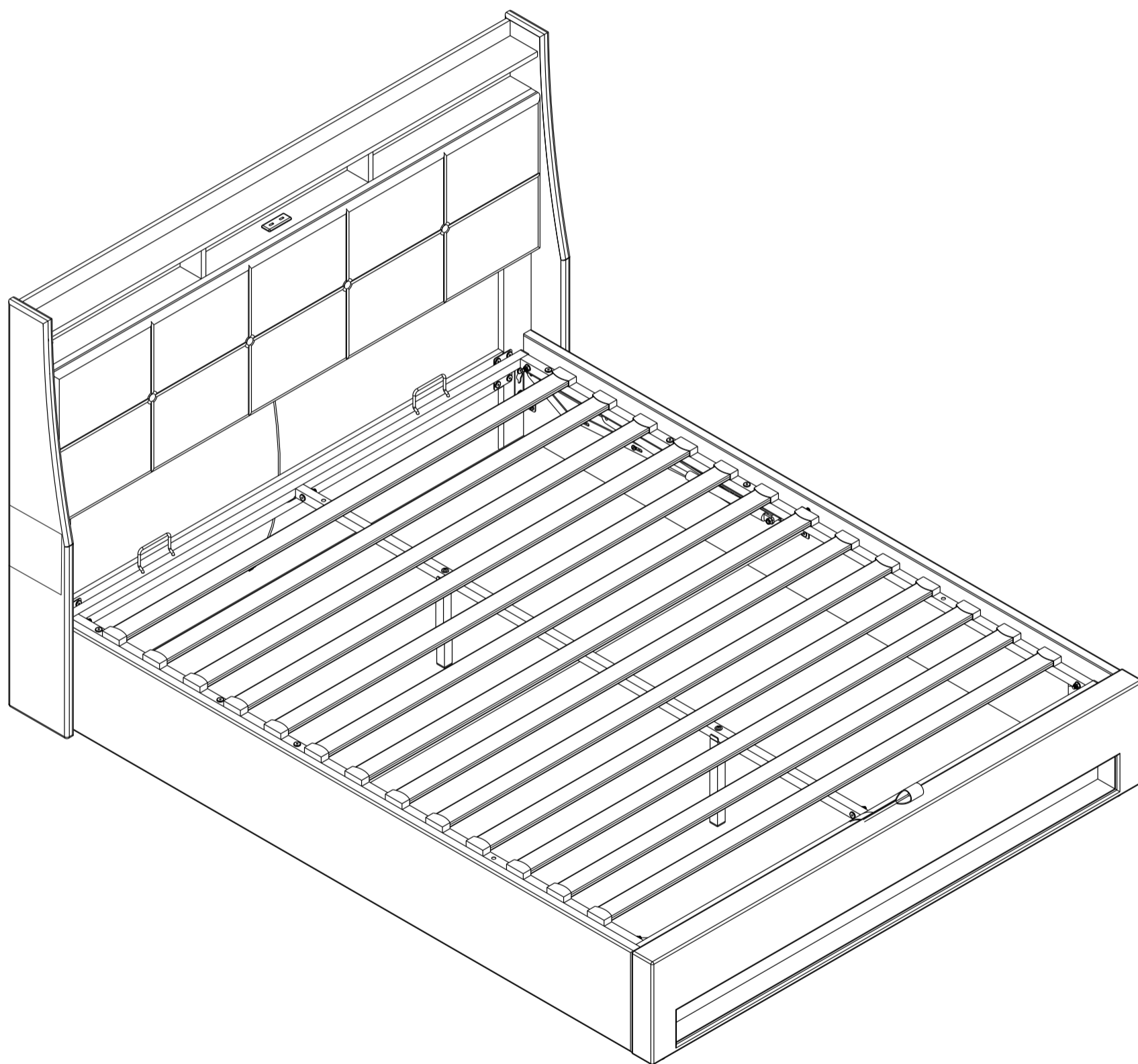


ASSEMBLY INSTRUCTION

**This set is included 2 boxes if don't receive full 2 boxes
please contact our customer service team**



English

IMPORTANT ! KEEP FOR FUTURE REFERENCE : READ CAREFULLY

- To be assembled by an adult. Assembly must be checked by an adult before use
- WARNING ! Keep all screws, small parts and plastic bags out of the reach of children
- Properly identify all parts before assembling
- Never use your item if any of its parts are broken or missing
- Should any problems arise, please contact our After Sales Service
- Manufacturer's instructions shall be followed at all times
- Care: clean with a soft, dry cloth. In case of larger stains, carefully rub with a slightly damp, non-abrasive sponge
- Do not jump on the bed

Français

IMPORTANT ! CONSERVER POUR RÉFÉRENCE ULTÉRIEURE : LIRE ATTENTIVEMENT

- Le montage doit être effectué par un adulte. Le montage doit être vérifié par un adulte avant utilisation
- ATTENTION ! Tenir les vis, les petites pièces et les sachets en plastique hors de portée des enfants
- Identifiez correctement toutes les pièces avant de les assembler
- N'utilisez jamais votre article si l'une de ses pièces est cassée ou manquante
- En cas de problème, veuillez contacter notre service après-vente
- Les instructions du fabricant doivent être respectées à tout moment
- Entretien : nettoyer avec un chiffon doux et sec. En cas de taches plus importantes, frotter soigneusement avec une éponge non abrasive légèrement humide.
- Ne pas sauter sur le lit

Español

IMPORTANTE CONSERVELO PARA FUTURAS CONSULTAS: LEA ATENTAMENTE

- Debe ser montado por un adulto. El montaje debe ser comprobado por un adulto antes del uso
- ADVERTENCIA Mantenga todos los tornillos, piezas pequeñas y bolsas de plástico fuera del alcance de los niños.
- Identifique correctamente todas las piezas antes de montarlas
- Nunca utilice su artículo si alguna de sus piezas está rota o falta
- Si surge algún problema, póngase en contacto con nuestro Servicio Postventa
- Las instrucciones del fabricante deben seguirse en todo momento
- Cuidado: limpiar con un paño suave y seco. En caso de manchas más grandes, frotar cuidadosamente con una esponja no abrasiva ligeramente húmeda.
- No saltar sobre la cama

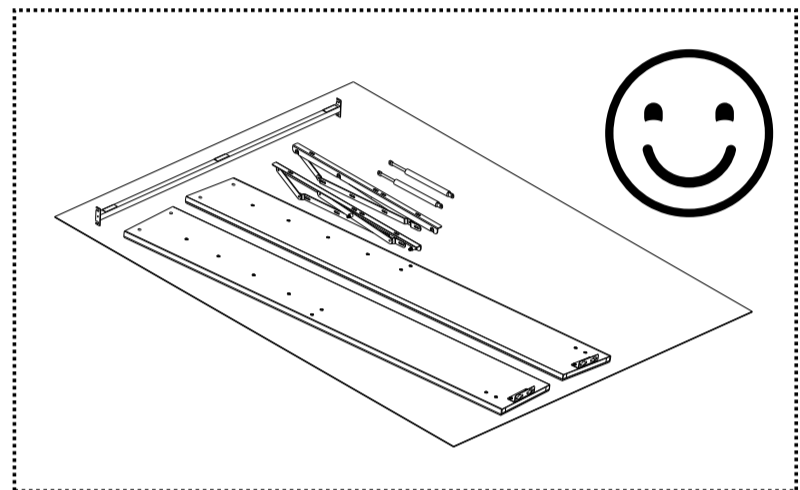
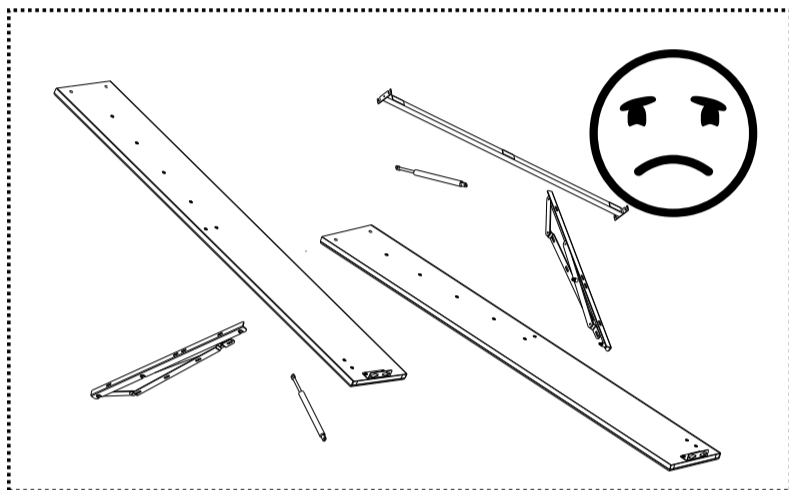
💡 More Tips 💡

1

English - Before installation, you can place the parts on a carpet or other soft fabric, in order to avoid damaging your floor.

Français - Avant l'installation, vous pouvez placer les pièces sur un tapis ou un autre tissu doux, afin d'éviter d'endommager votre sol.

Español - Antes de la instalación, puede colocar las piezas sobre una alfombra u otro tejido suave para no dañar el suelo.

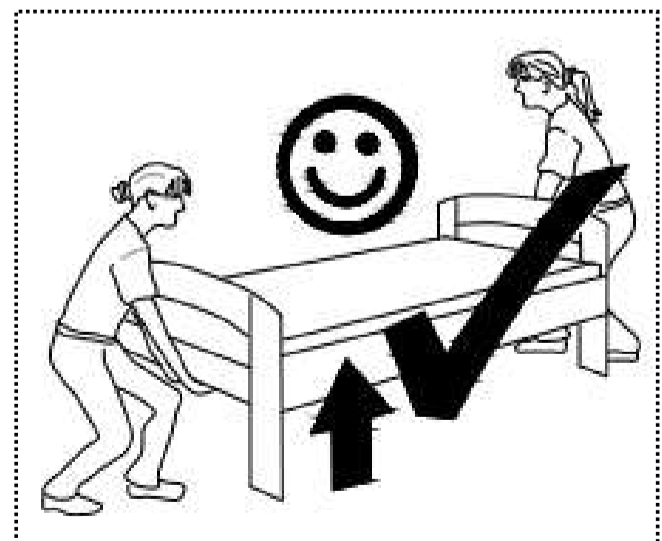
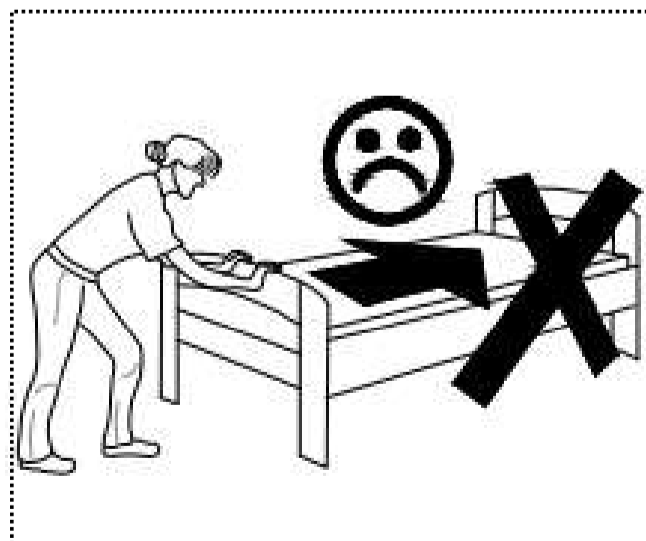


2

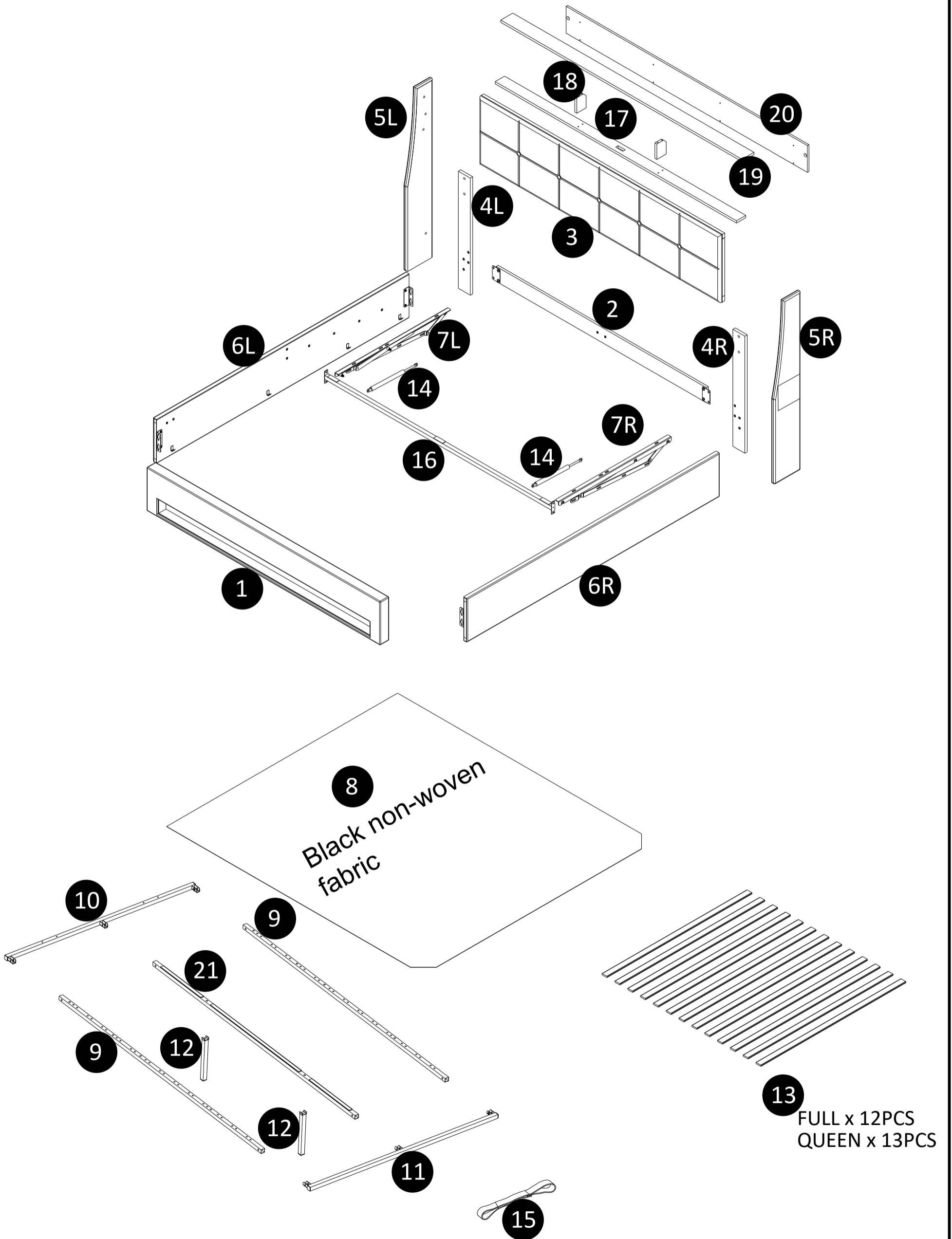
English - For your and your family's safety, please do not jump on beds, especially with hydraulic structures. When need to move bed, please work with more than one person to lift, not push, to avoid scratching your floor and hurting the stability of the bed.

Français - Pour votre sécurité et celle de votre famille, ne sautez pas sur les lits, en particulier sur les structures hydrauliques. Lorsqu'il est nécessaire de déplacer le lit, il est préférable de travailler à plusieurs pour le soulever, et non pour le pousser, afin d'éviter de rayer le sol et de nuire à la stabilité du lit.

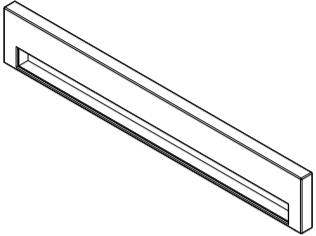
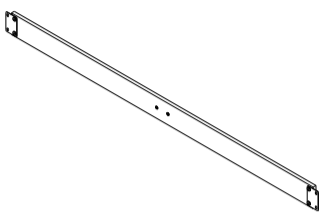
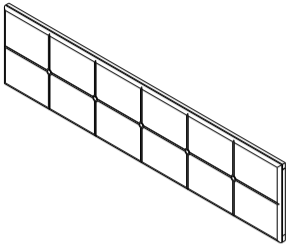

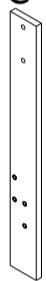

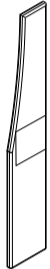
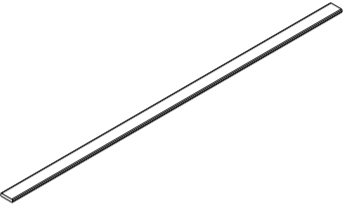
Español - Para su seguridad y la de su familia, por favor no salte sobre las camas, especialmente con estructuras hidráulicas. Cuando tenga que mover la cama, por favor, trabaje con más de una persona para levantar, no empujar, para evitar rayar su piso y dañar la estabilidad de la cama.



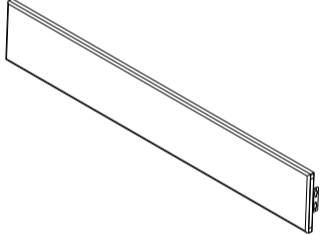
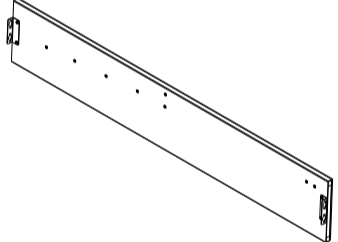
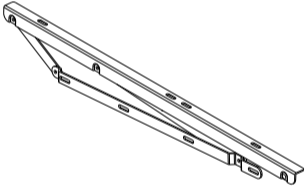
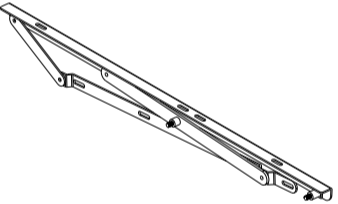
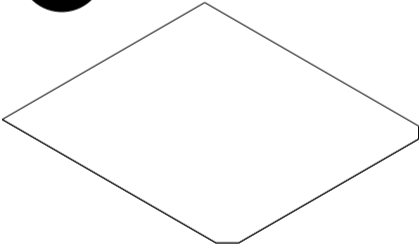
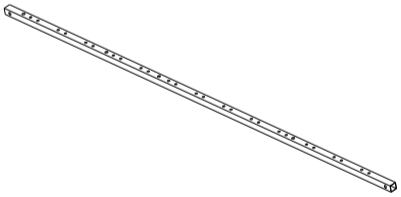
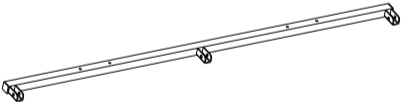
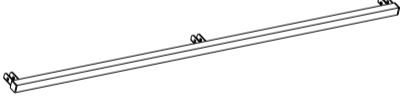
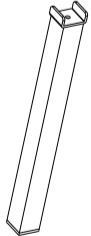
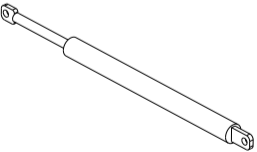
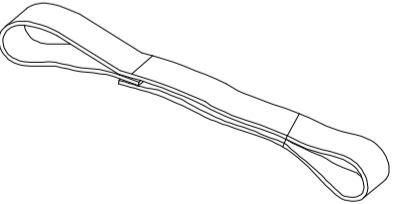
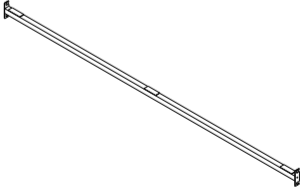
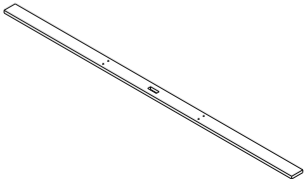
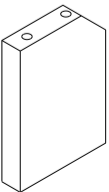
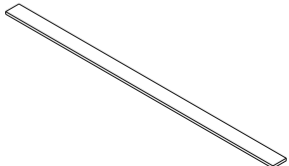
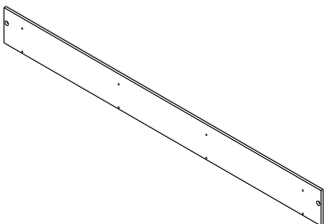
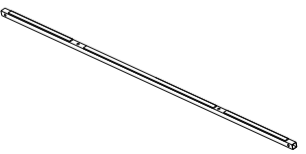
Components List




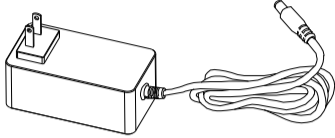
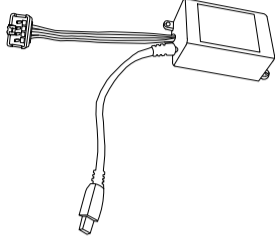
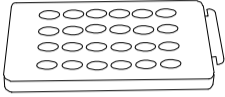
Part List

1 x 1PC 	2 x 1PC 	3 x 1PC 	4L x 1PC 
4R x 1PC 	5L x 1PC 	5R x 1PC 	13 FULL x 12PCS QUEEN x 13PCS 





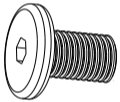
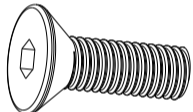
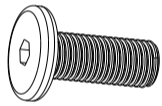


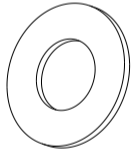
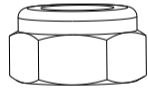


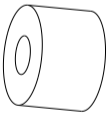
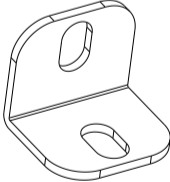
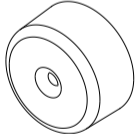
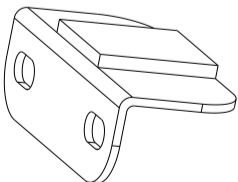
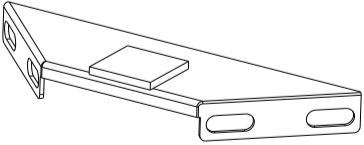
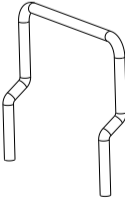
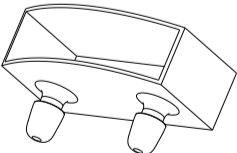
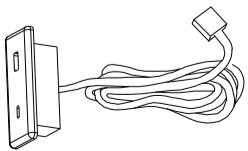

Part List

6L x 1PC 	6R x 1PC 	7L x 1PC 	7R x 1PC 	
8 x 1PC 	9 x 2PCS 	10 x 1PC 	11 x 1PC 	
12 x 2PCS 	14 x 2PCS 	15 x 1PC 	16 x 1PC 	
17 x 1PC 	18 x 2PCS 	19 x 1PC 	20 x 1PC 	21 x 1PC 

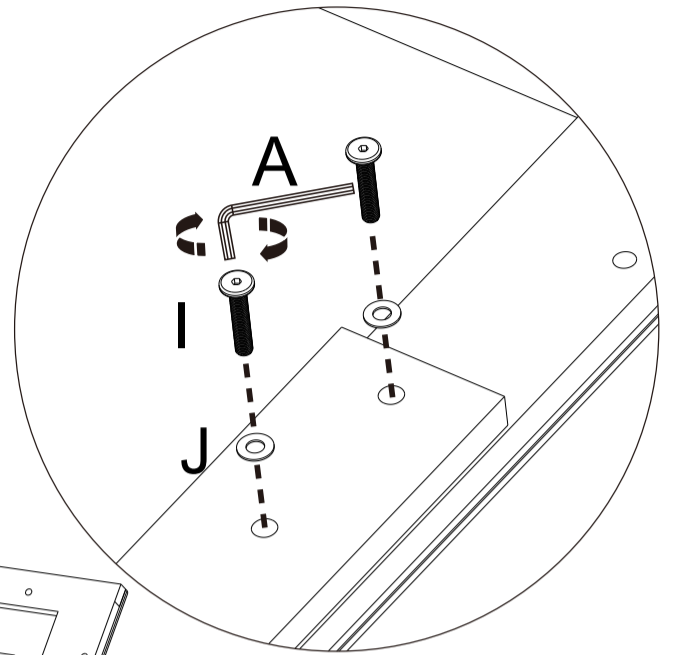
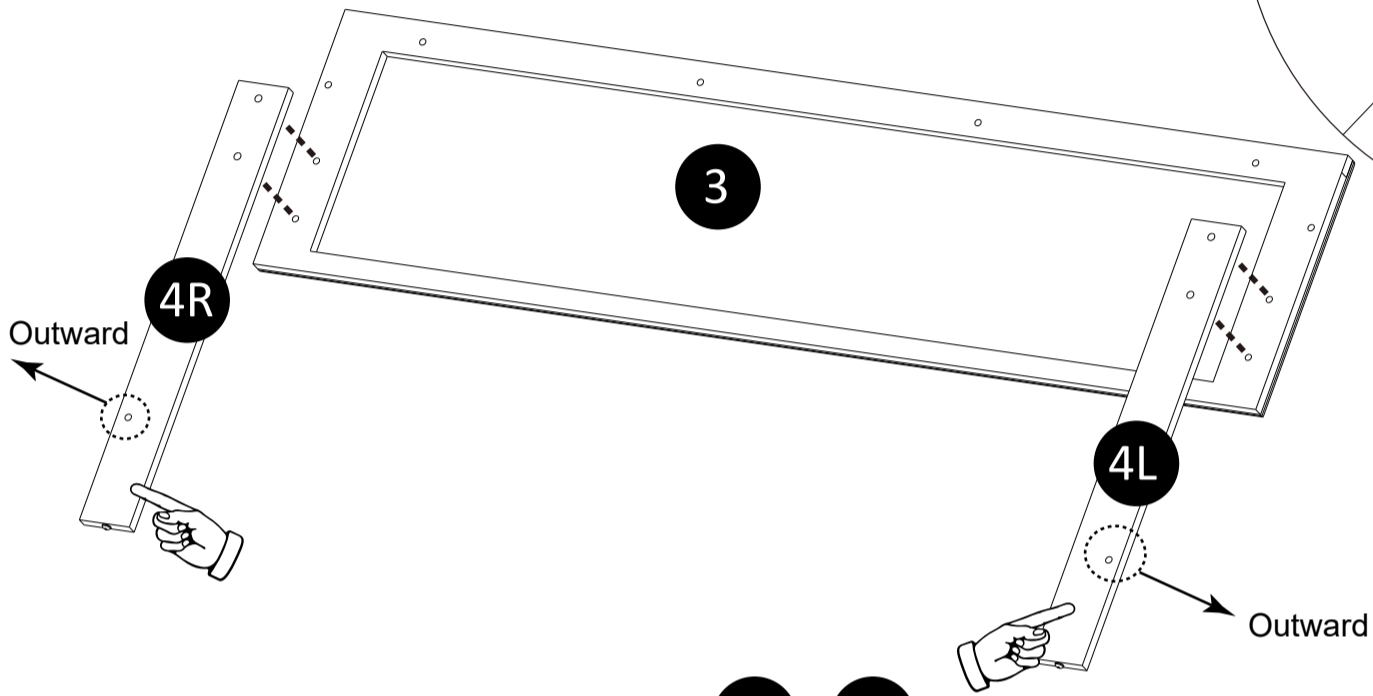
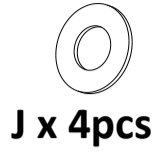
Hardware List

W x 1PC 	X x 1PC 	Y1 x 1PC 	Y2 x 1PC 
---	---	--	--

Hardware List

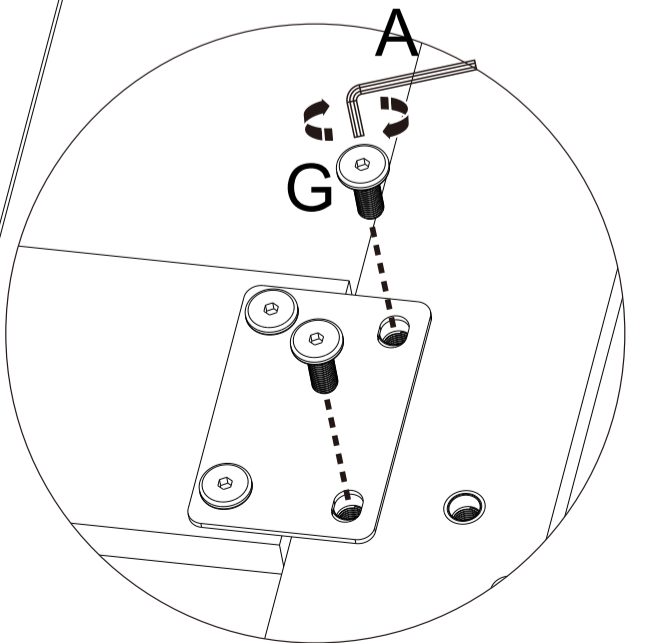
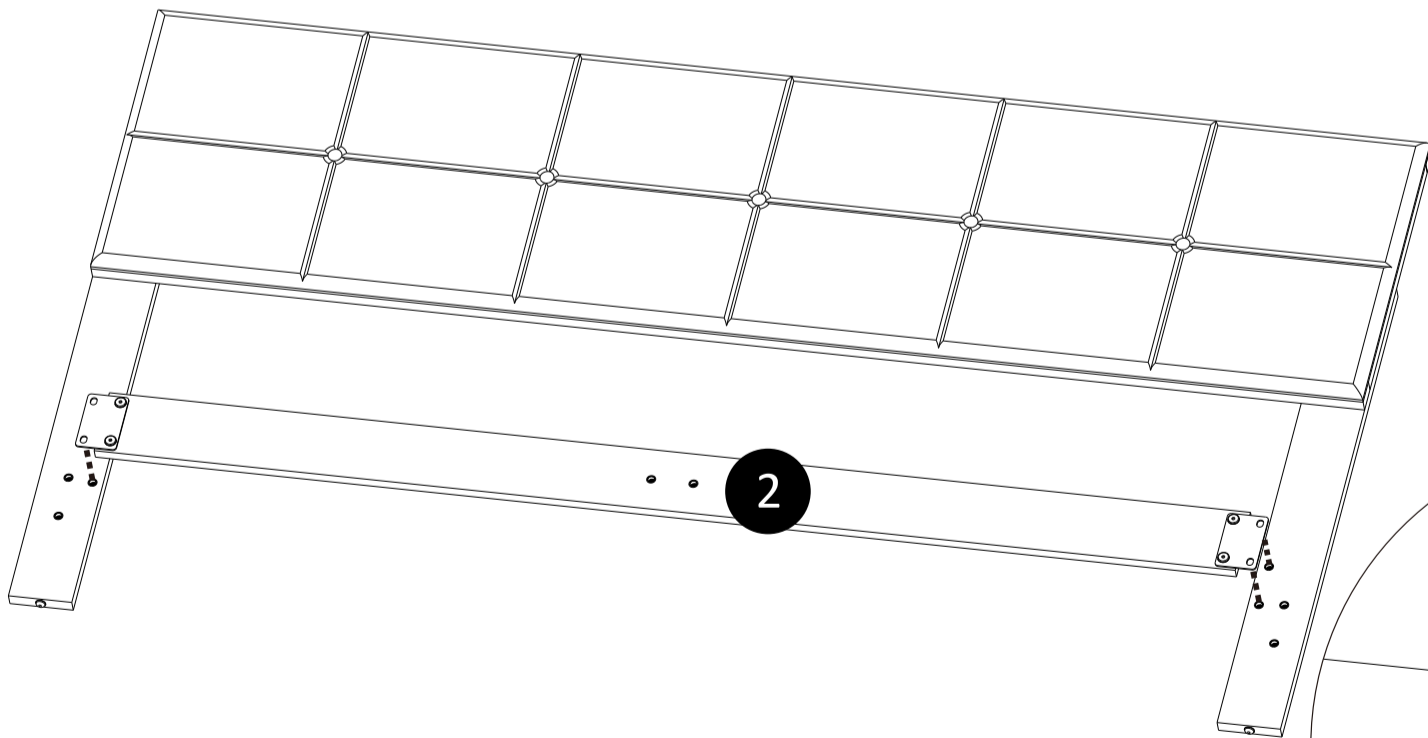
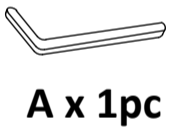
A x 1PC 	B x 2PCS  4.0x40mm	C x 12PCS  5.0x50mm	D x 2PCS  M6x35mm
E x 8PCS  M8x12mm	F x 4PCS  M8x18mm	G x 40PCS  M8x20mm	H x 8PCS  M8x30mm
I x 16PCS  M8x40mm	J x 12PCS 	K x 16PCS 	L x 1PC 
M x 4PCS 	N x 8PCS 	O x 12PCS 	P x 2PCS 
Q x 2PCS 	R x 2PCS 	S x 2PCS 	T FULL x 24PCS QUEEN x 26PCS 
V x 1PC 	Z x 1PC 		

STEP
1



Please do not mix up part 4R & 4L

STEP
2



**STEP
3**



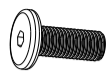
A x 1pc

4.0 x 40mm



B x 2pcs

M8 x 20mm



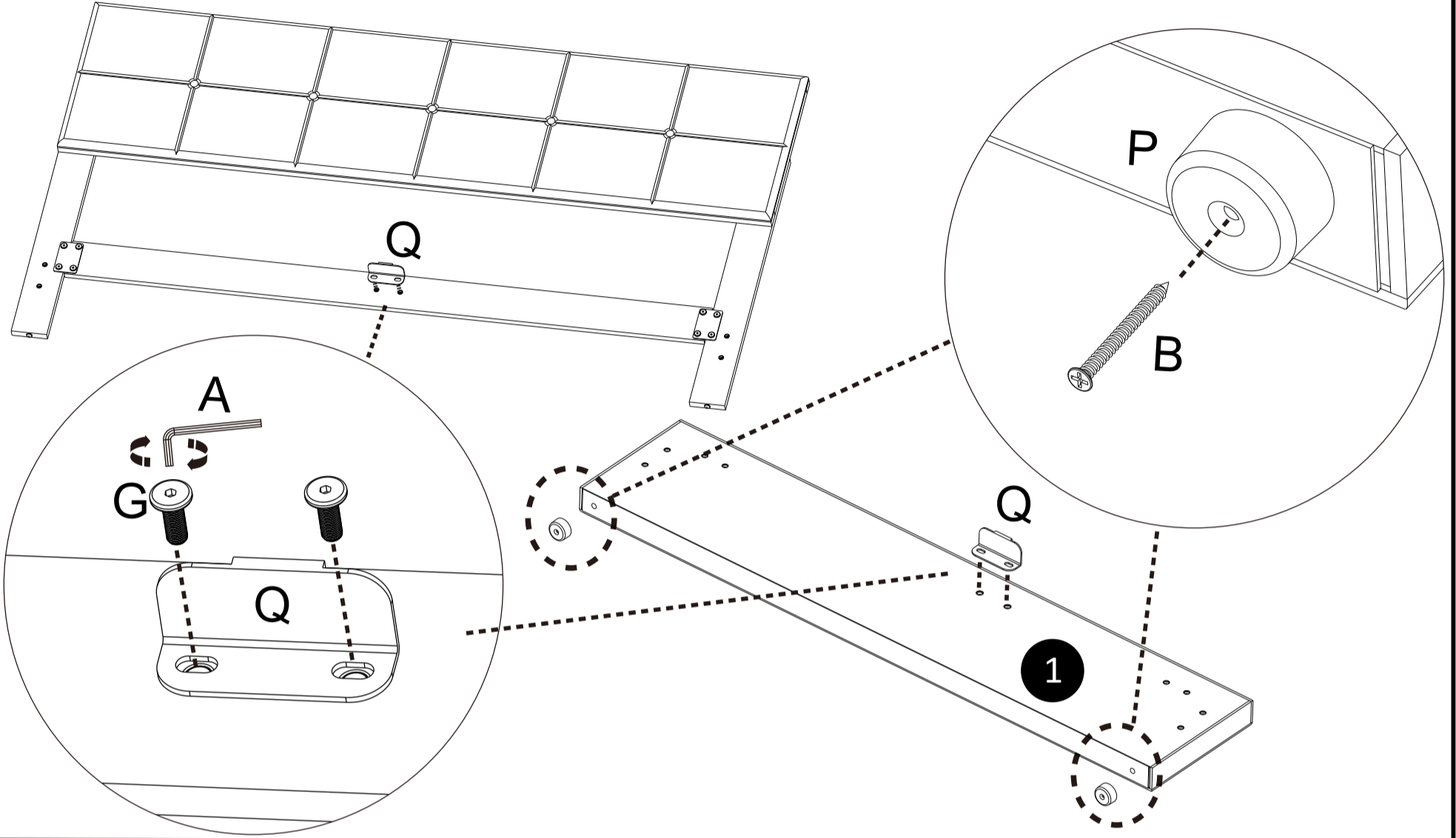
G x 4pcs



P x 2pcs



Q x 2pcs

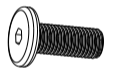


**STEP
4**




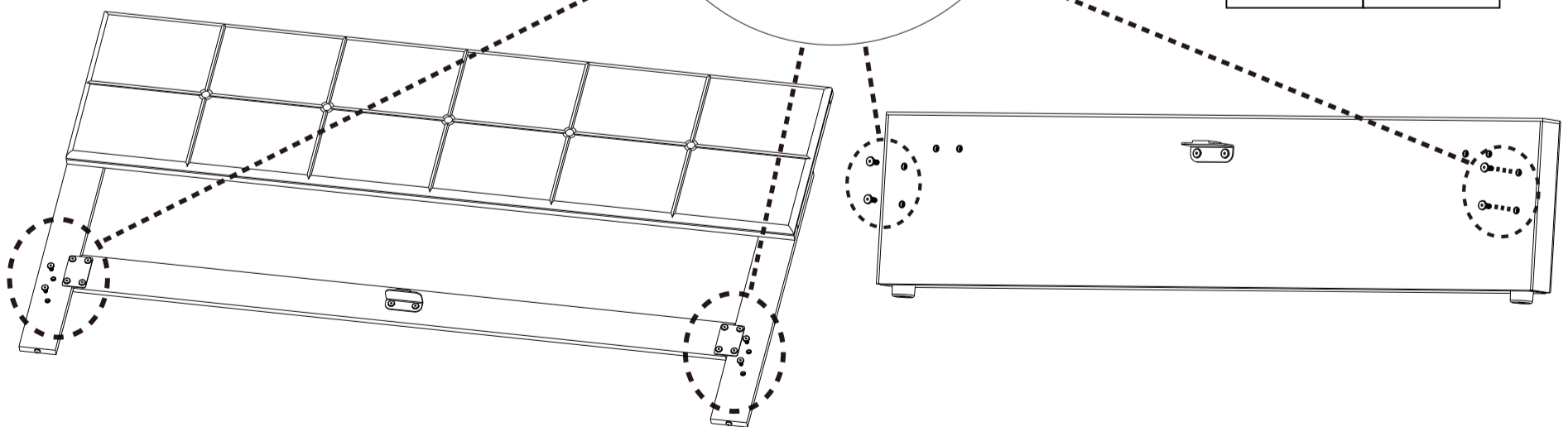
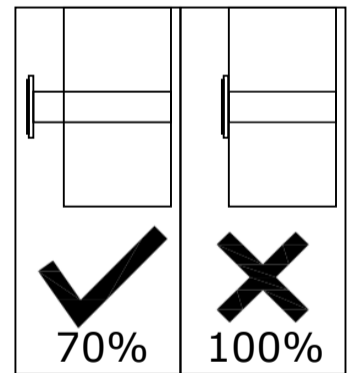
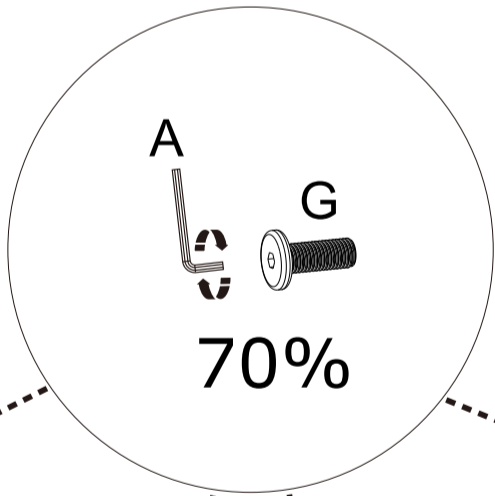
A x 1pc

M8 x 20mm

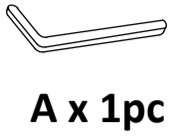


G x 8pcs

 Do not fully tighten the screws yet

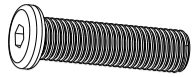


**STEP
5**



A x 1pc

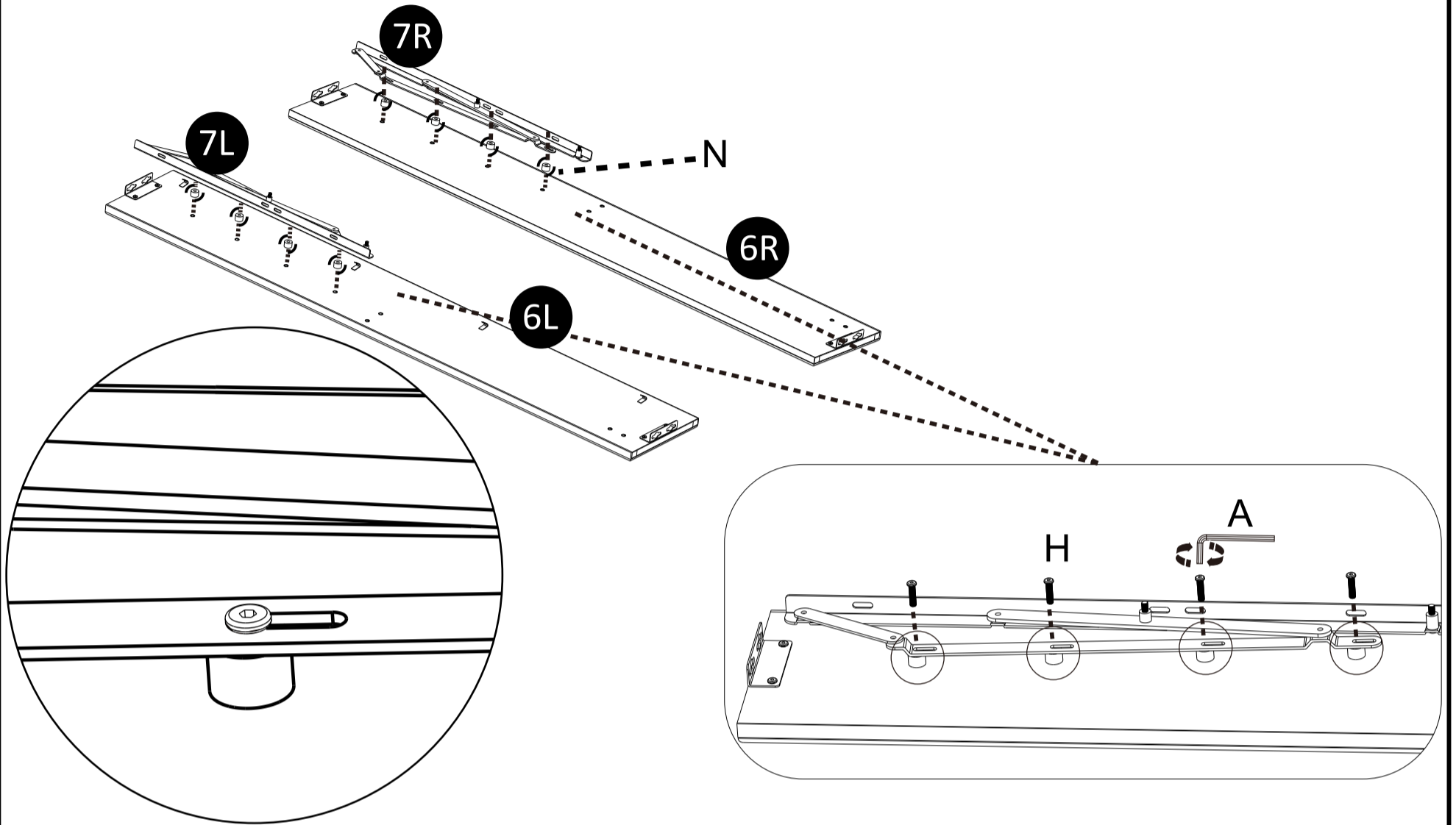
M8 x 30mm



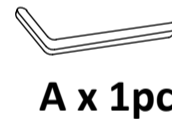
H x 8pcs



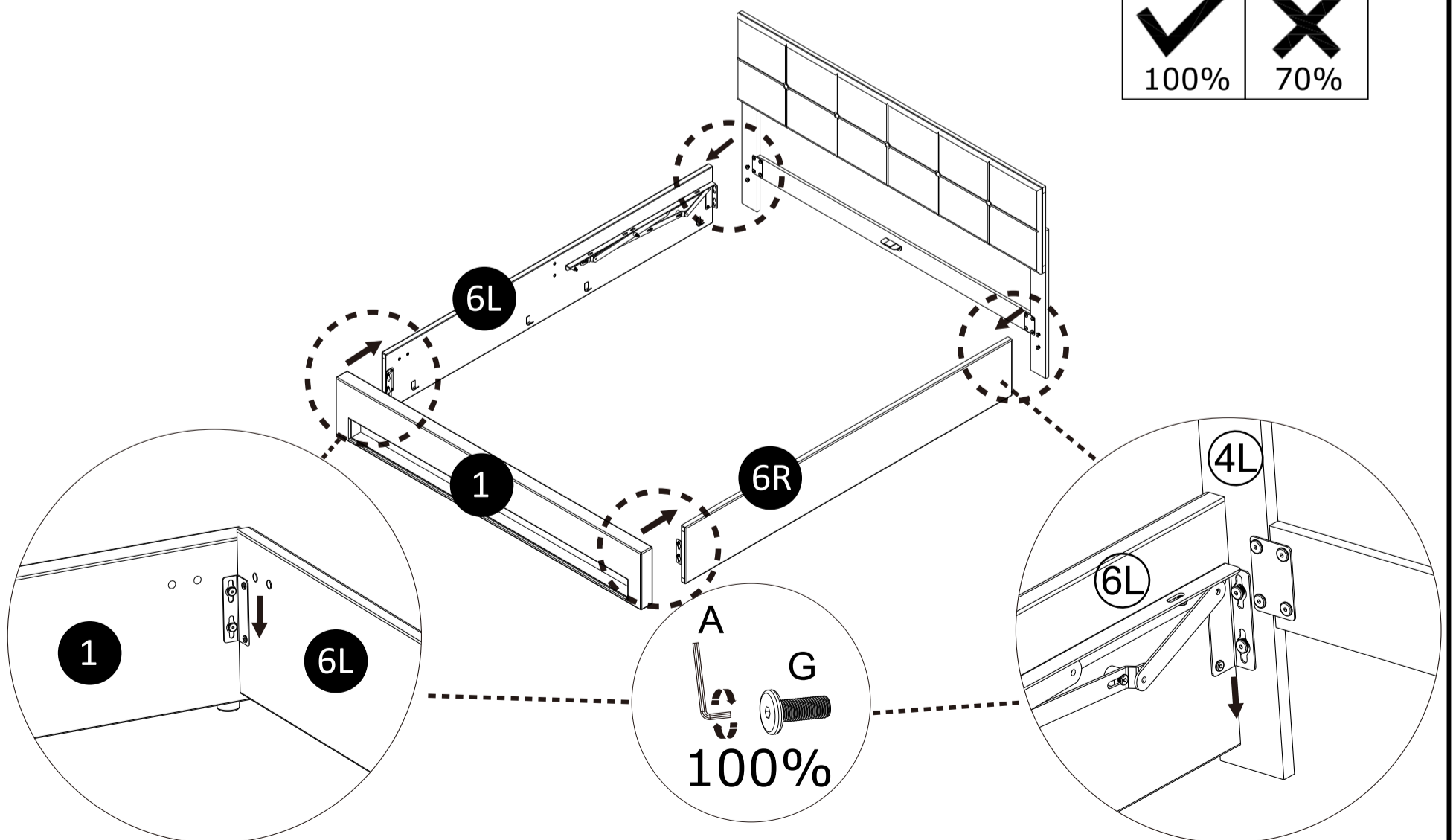
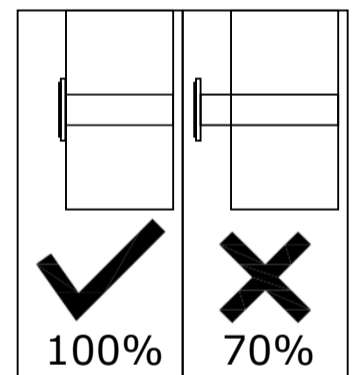
N x 8pcs



**STEP
6**



A x 1pc

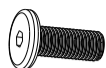


STEP 7

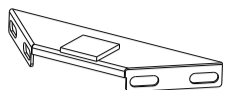


A x 1pc

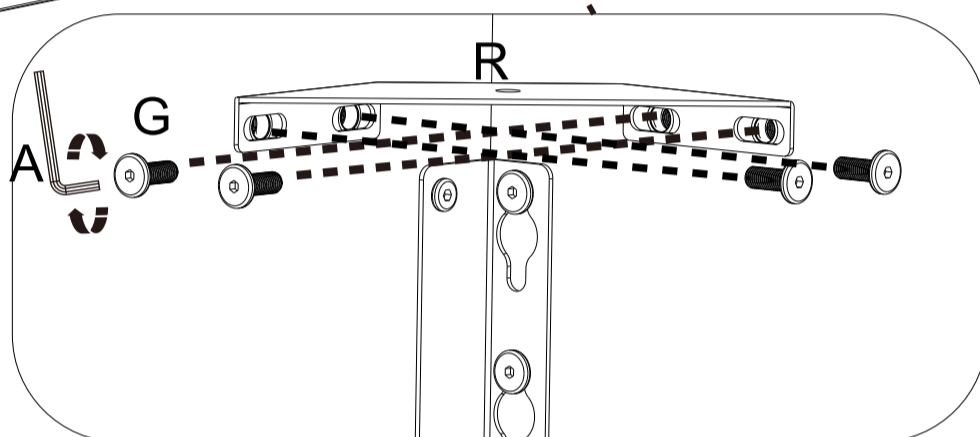
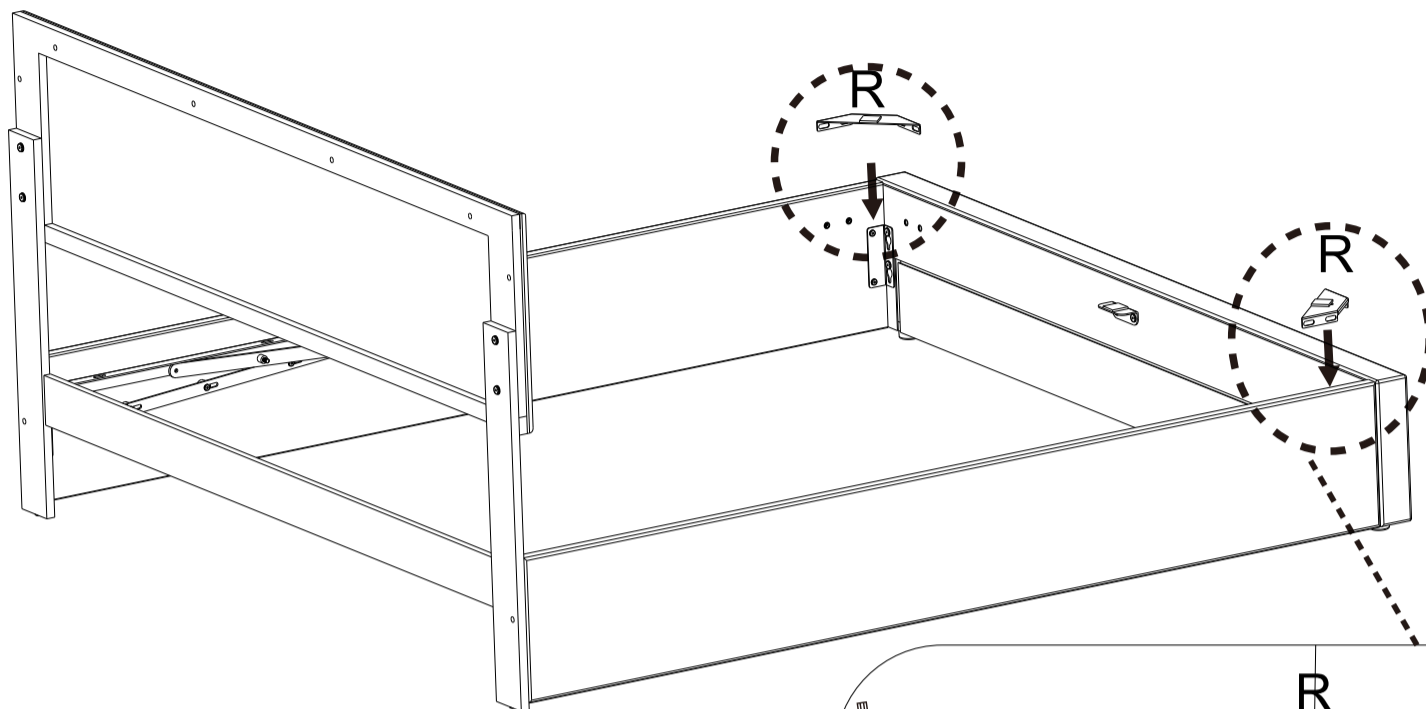
M8 x 20mm



G x 8pcs



R x 2pcs



STEP 8



A x 1pc

M8 x 18mm



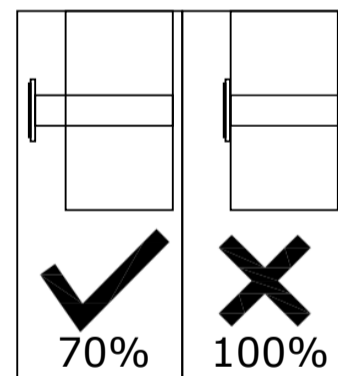
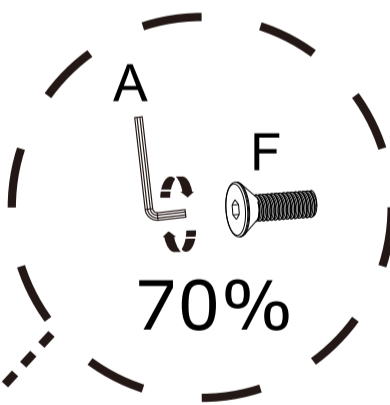
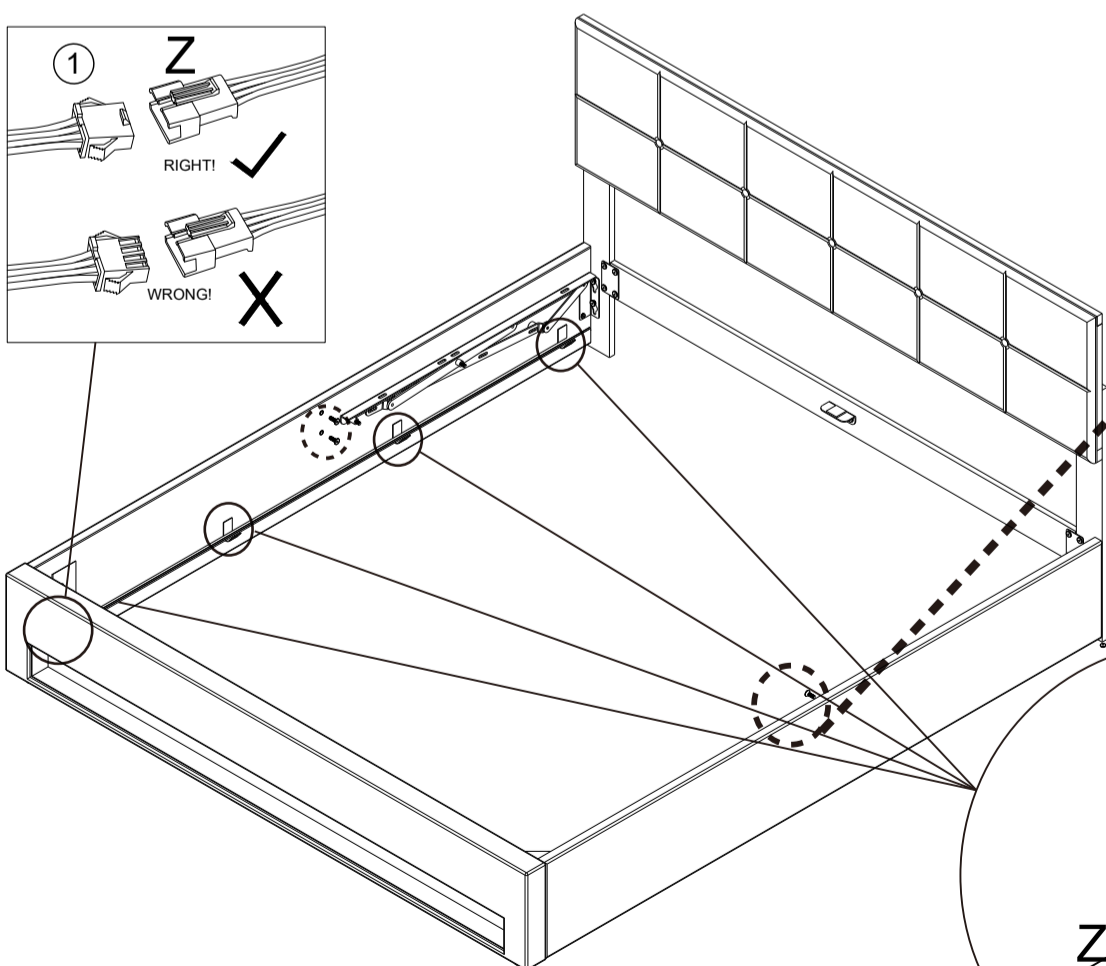
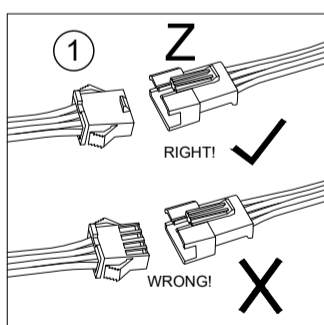
F x 4pcs



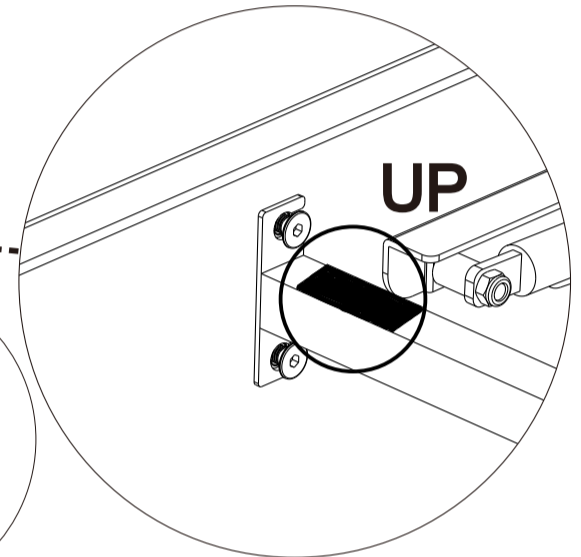
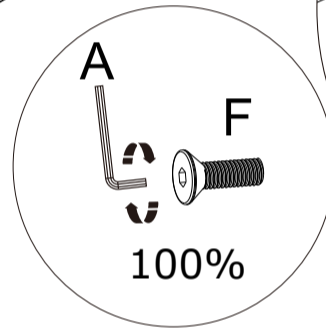
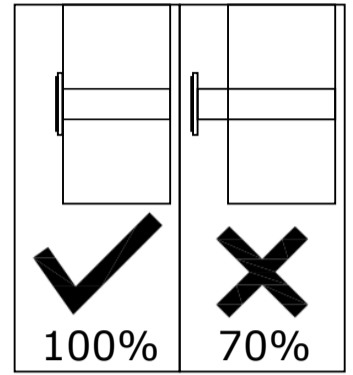
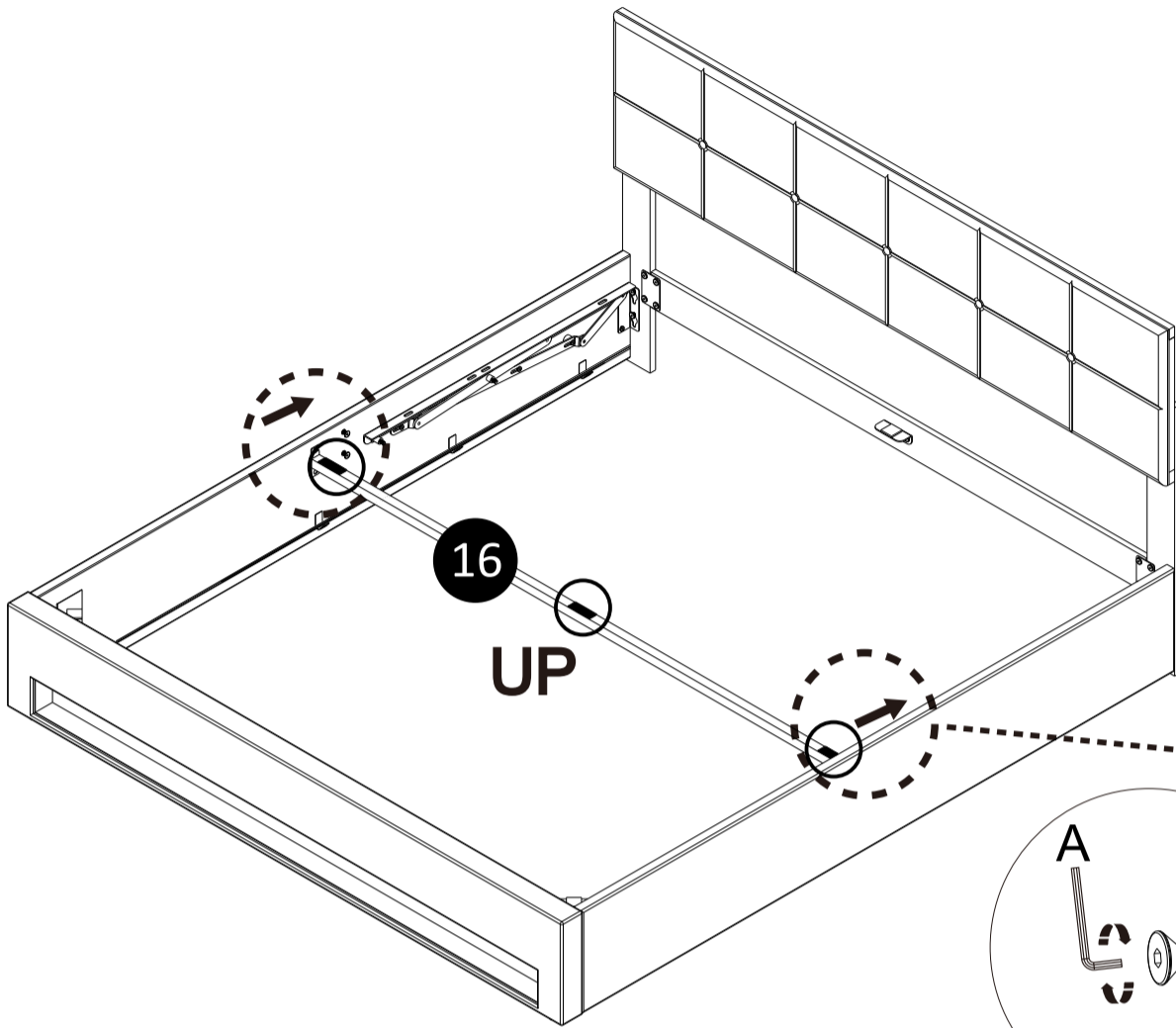
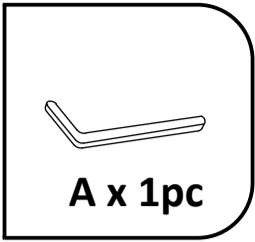
Z x 1pc



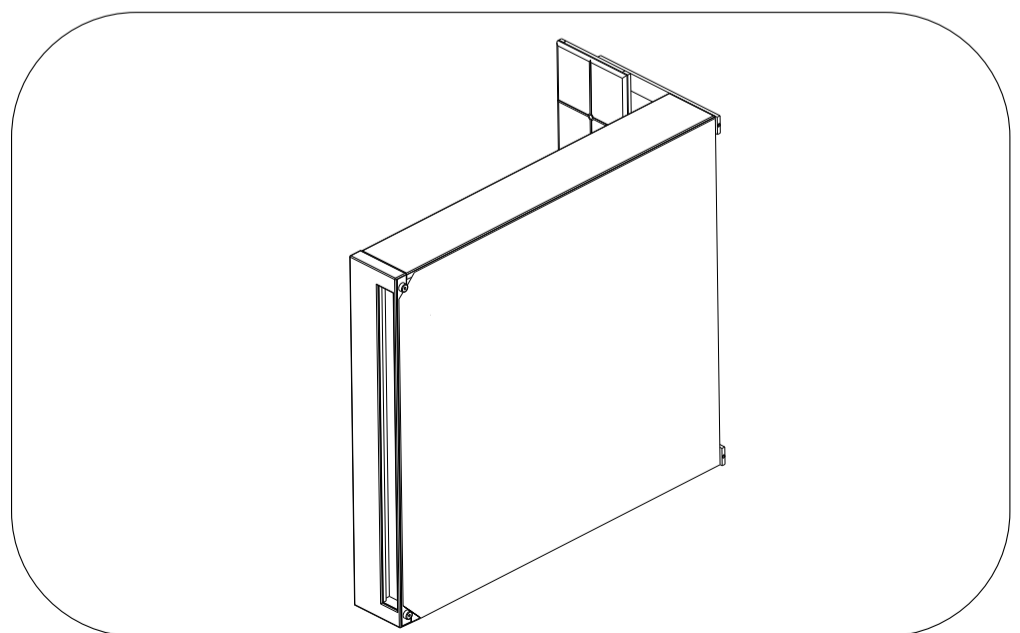
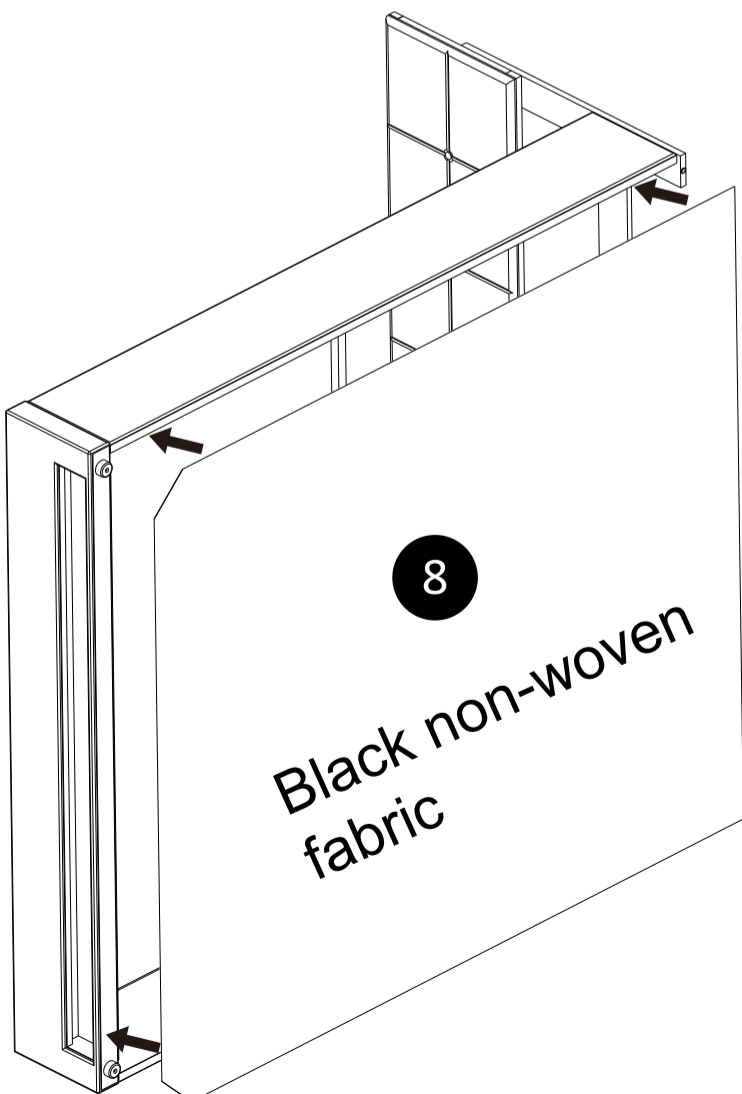
Do not fully tighten the screws yet



STEP
9



STEP
10



**STEP
11**



A x 1pc

M8 x 40mm



I x 6pcs



J x 6pcs

M8

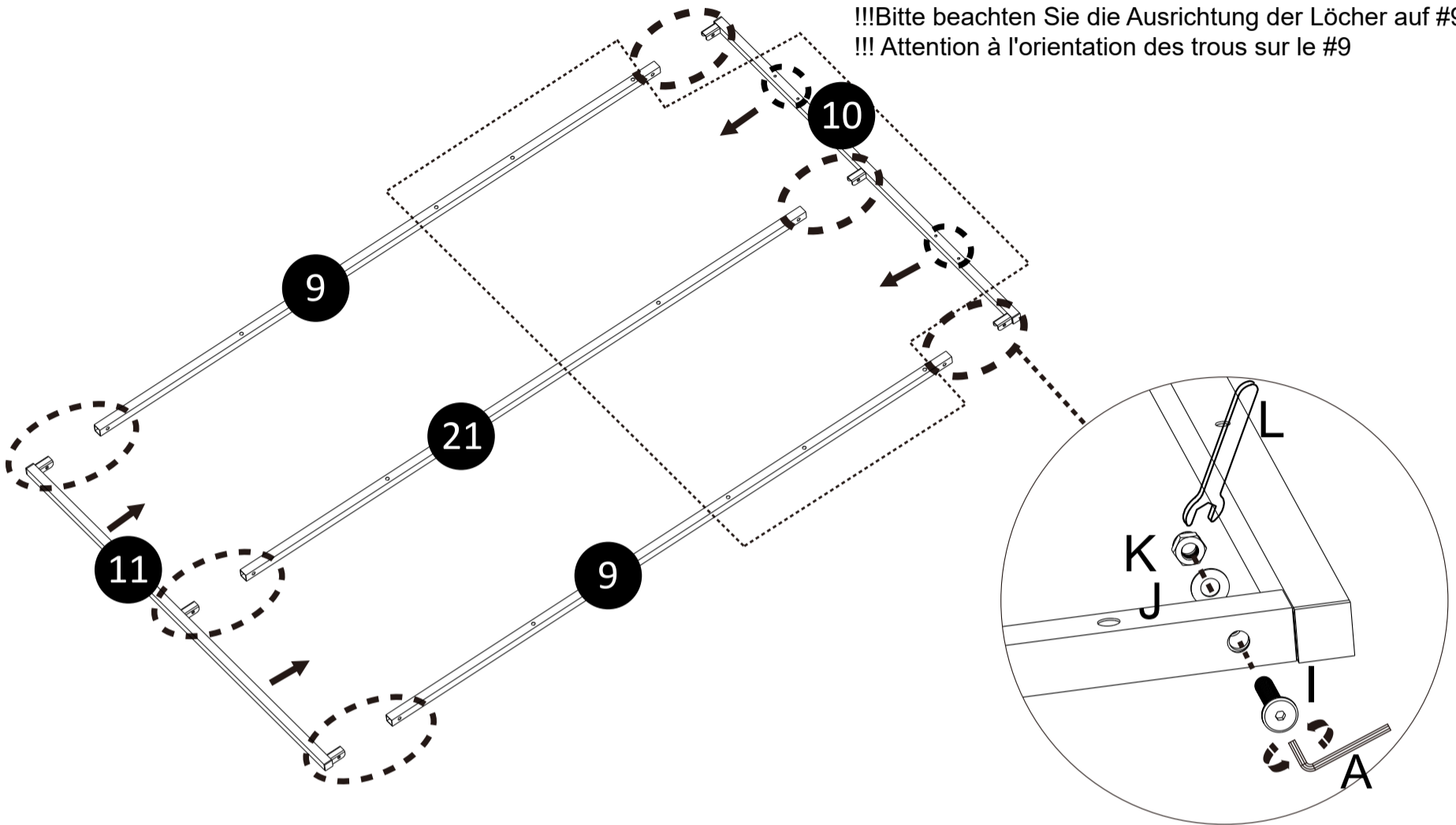


K x 6pcs



L x 1pc

!!! Please aware the orientation of the holes on #9
!!!Bitte beachten Sie die Ausrichtung der Löcher auf #9
!!! Attention à l'orientation des trous sur le #9



**STEP
12**



A x 1pc

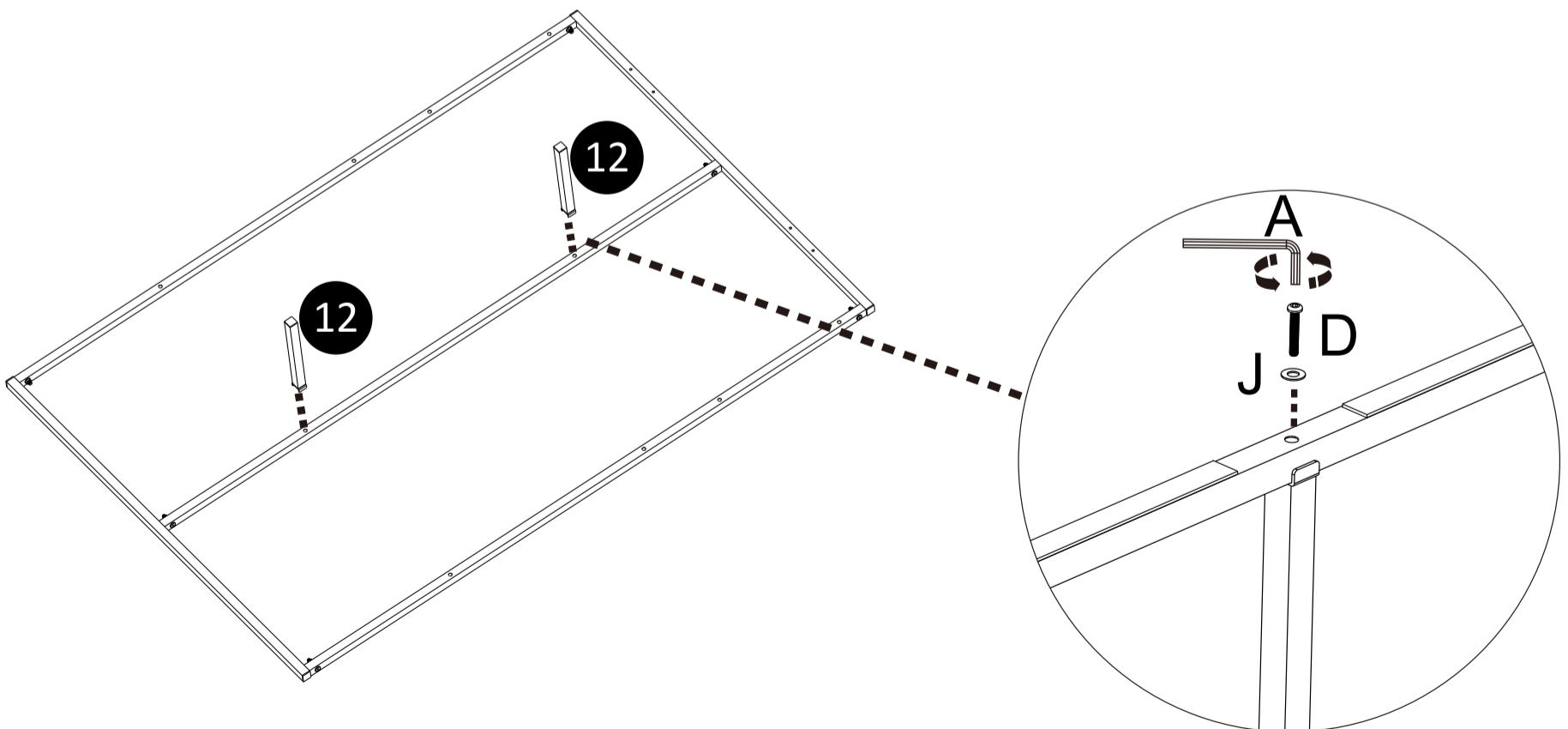
M6 x 35mm



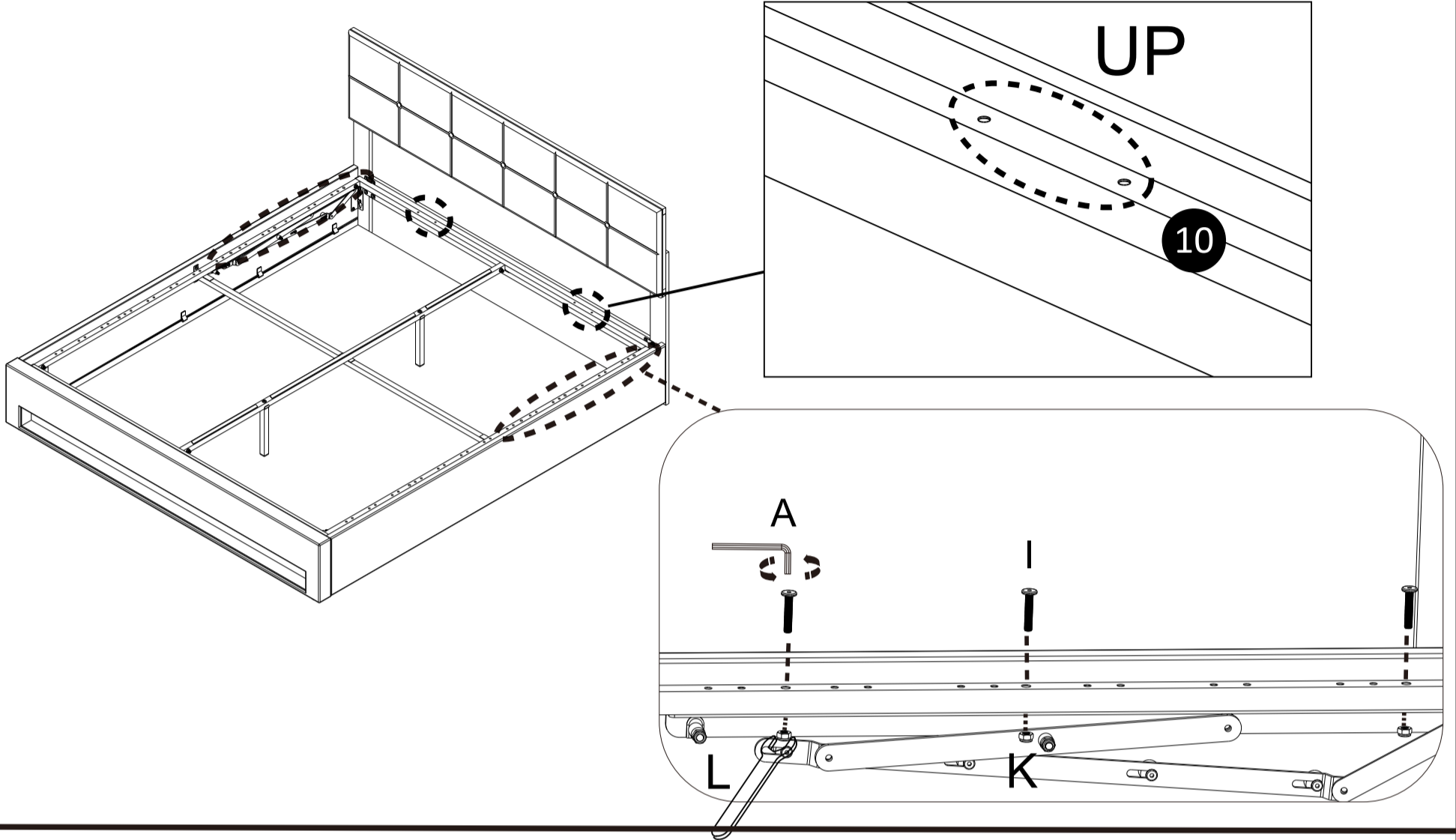
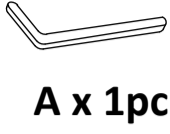
D x 2pcs



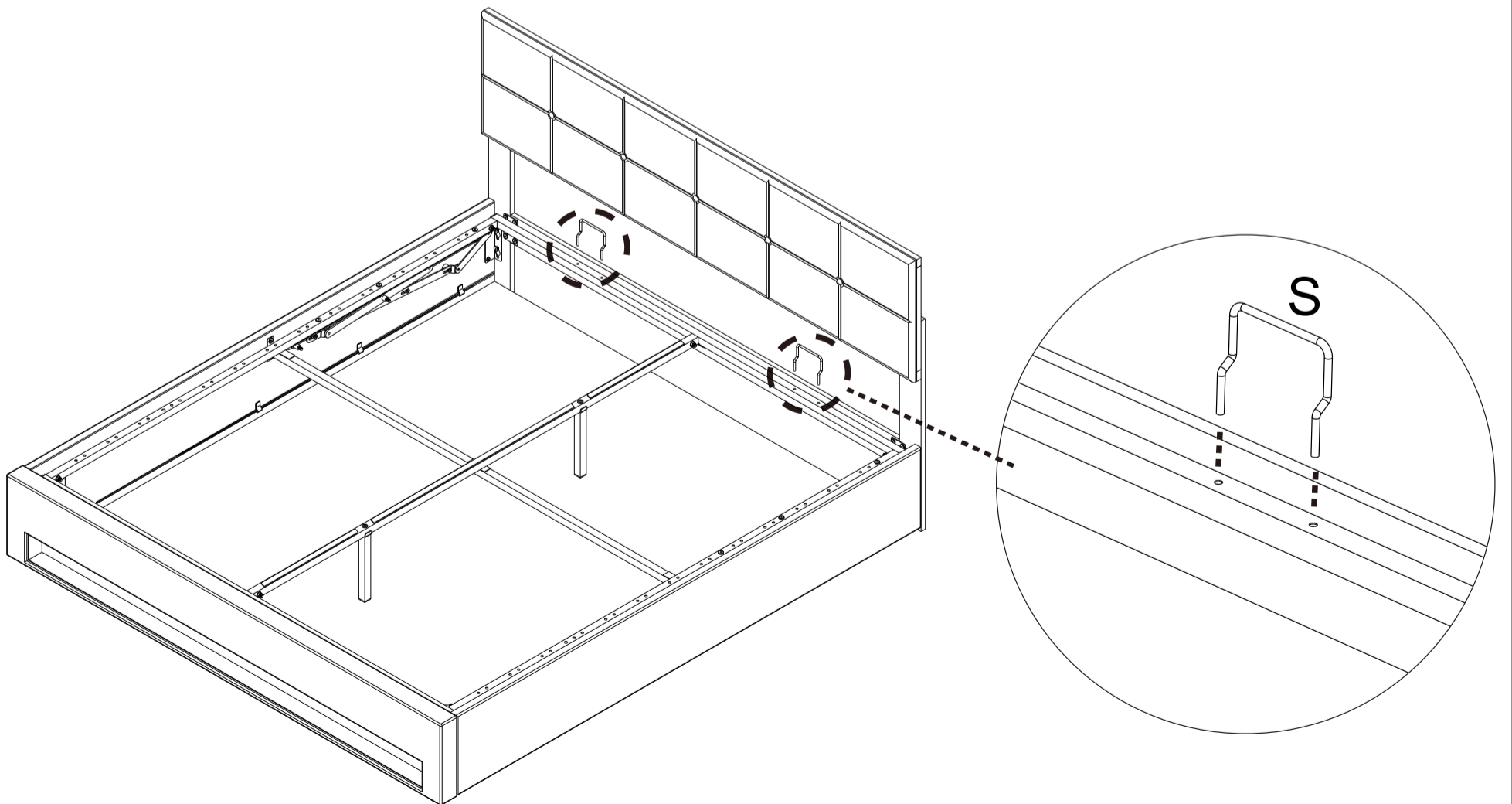
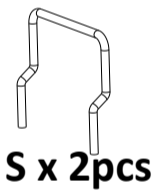
J x 2pcs



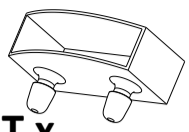
**STEP
13**



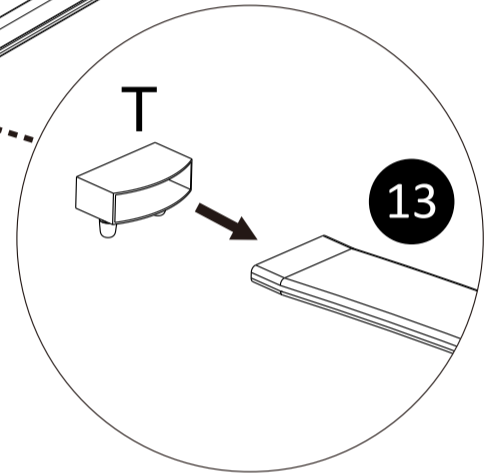
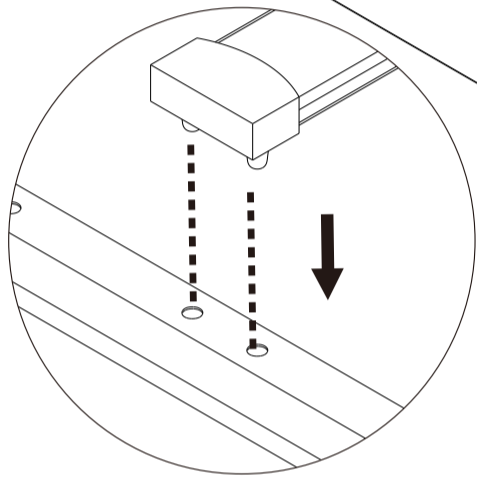
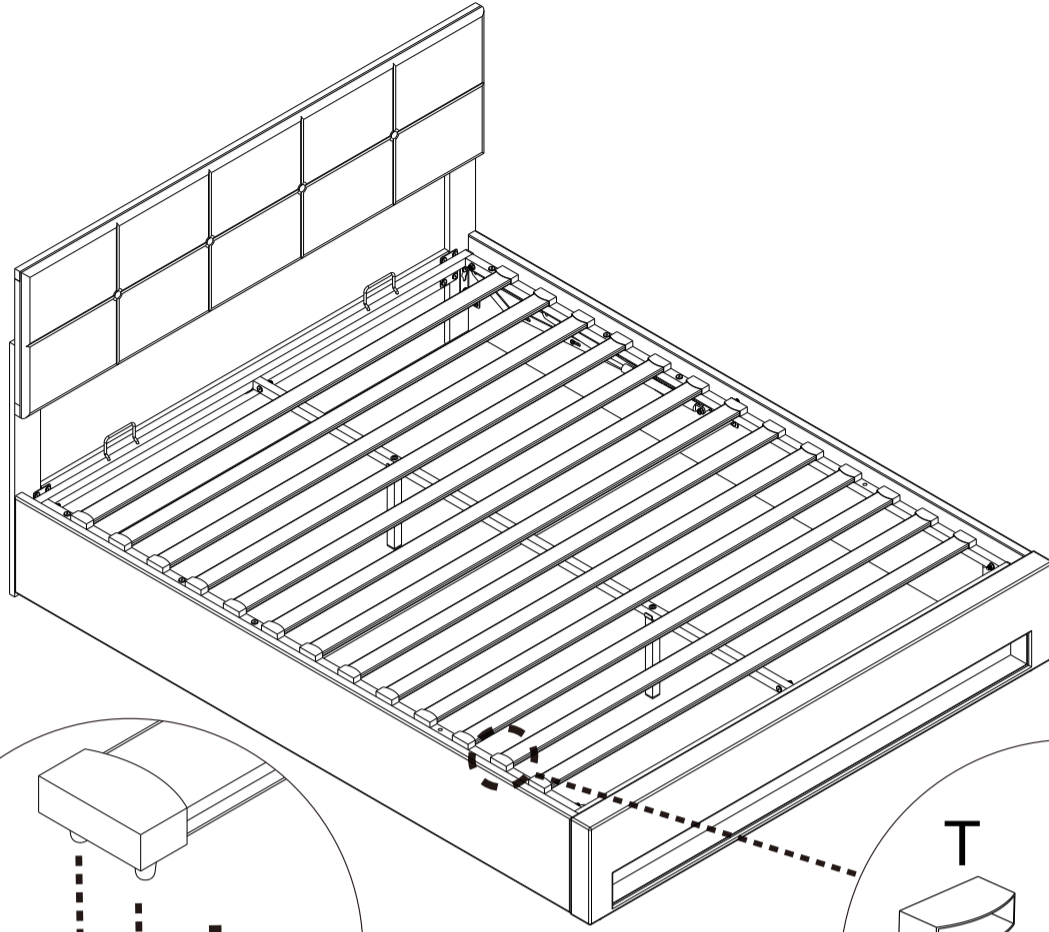
**STEP
14**



STEP
15



T X
FULL x 24PCS
QUEEN x 26PCS



STEP
16

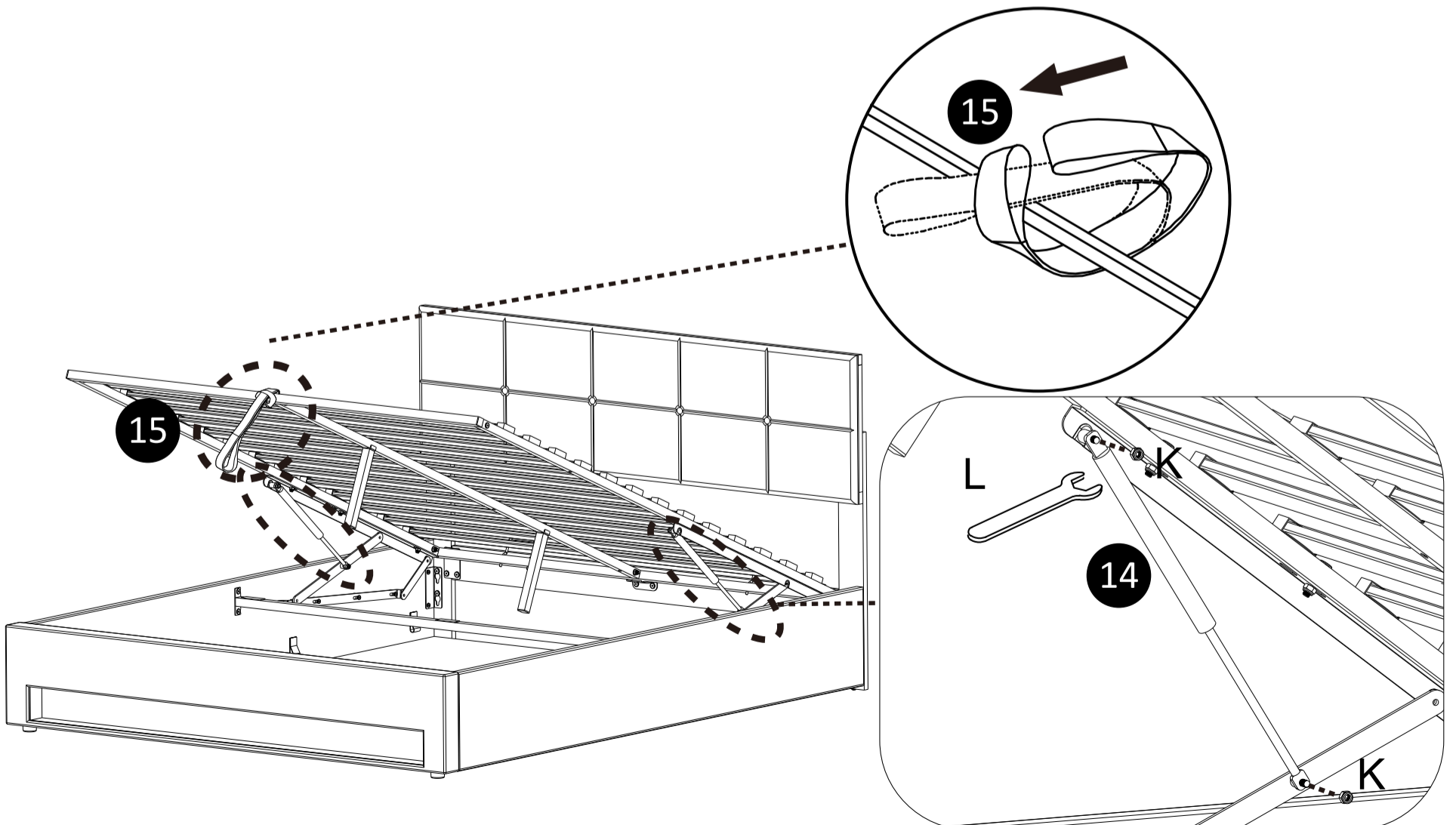
M8



K x 4pcs



L x 1pc

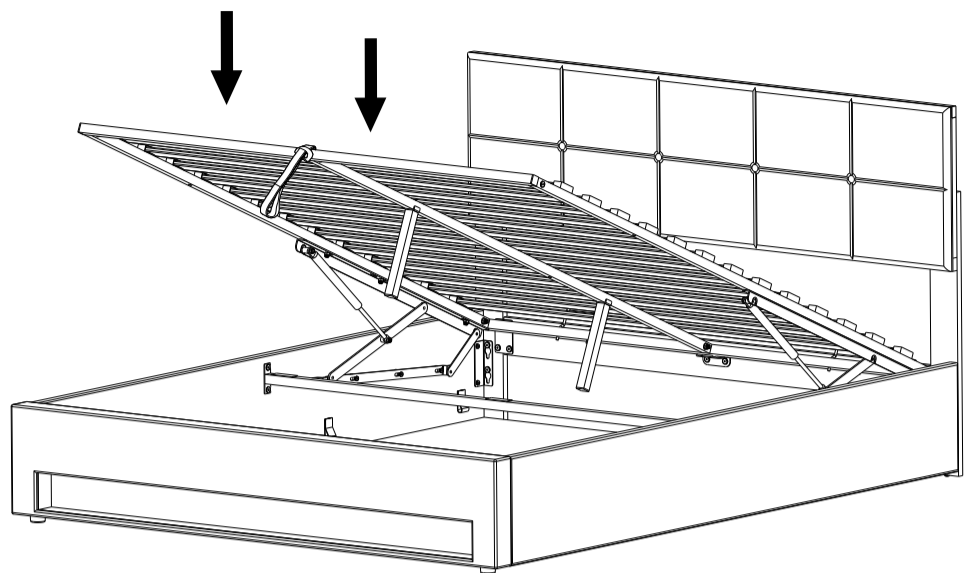


STEP 17

WHY WON'T MY HYDRAULIC BED STAY DOWN?

1. In fact, nine times out ten the reason why hydraulic won't close is because you need to put your mattress on top of the bed. Yep, it really is that easy. This is because the hydraulic pistons need the weight of the mattress to provide enough pressure to close your bed.

2. However, what if you've put your mattress on your bed and you're one of the unlucky ones who finds that their hydraulic bed still won't stay down? As previously mentioned, they require pressure in order to close. However, occasionally as well as placing the mattress on the bed you will initially have to apply some physical force yourself to close the bed. Don't worry you won't break it! ! !



WARUM BLEIBT MEIN HYDRAULISCHES BETT NICHT UNTEN?

1. In neun von zehn Fällen liegt der Grund dafür, dass sich die Hydraulik nicht schließen lässt, darin, dass Sie Ihre Matratze oben auf das Bett legen müssen. Ja, es ist wirklich so einfach. Das liegt daran, dass die Hydraulikkolben das Gewicht der Matratze benötigen, um genügend Druck zum Schließen des Bettes zu erzeugen.

2. Was aber, wenn Sie Ihre Matratze auf Ihr Bett gelegt haben und zu den Unglücklichen gehören, die feststellen, dass ihr hydraulisches Bett trotzdem nicht unten bleibt?

Wie bereits erwähnt, muss man Druck ausüben, um sie zu schließen. Gelegentlich müssen Sie jedoch nicht nur die Matratze auf das Bett legen, sondern zunächst selbst etwas Kraft aufwenden, um das Bett zu schließen. Keine Sorge, Sie werden es nicht kaputt machen! ! !

POURQUOI MON LIT HYDRAULIQUE NE RESTE PAS EN BAS ?

1. En fait, neuf fois sur dix, la raison pour laquelle le lit hydraulique ne se ferme pas est que vous devez placer votre matelas sur le dessus du lit. Oui, c'est aussi simple que cela. En effet, les pistons hydrauliques ont besoin du poids du matelas pour exercer une pression suffisante afin de fermer le lit.

2) Cependant, que se passe-t-il si vous avez placé votre matelas sur votre lit et que vous faites partie des malchanceux qui constatent que leur lit hydraulique ne reste toujours pas abaissé ? Comme nous l'avons déjà mentionné, les lits hydrauliques ont besoin d'une pression pour se fermer. Cependant, il arrive qu'en plus de placer le matelas sur le lit, il faille d'abord exercer une pression sur le lit.

sur le lit, vous devrez d'abord exercer une certaine force physique pour fermer le lit. Ne vous inquiétez pas, vous ne le casserez pas ! ! !

STEP 18



A x 1pc

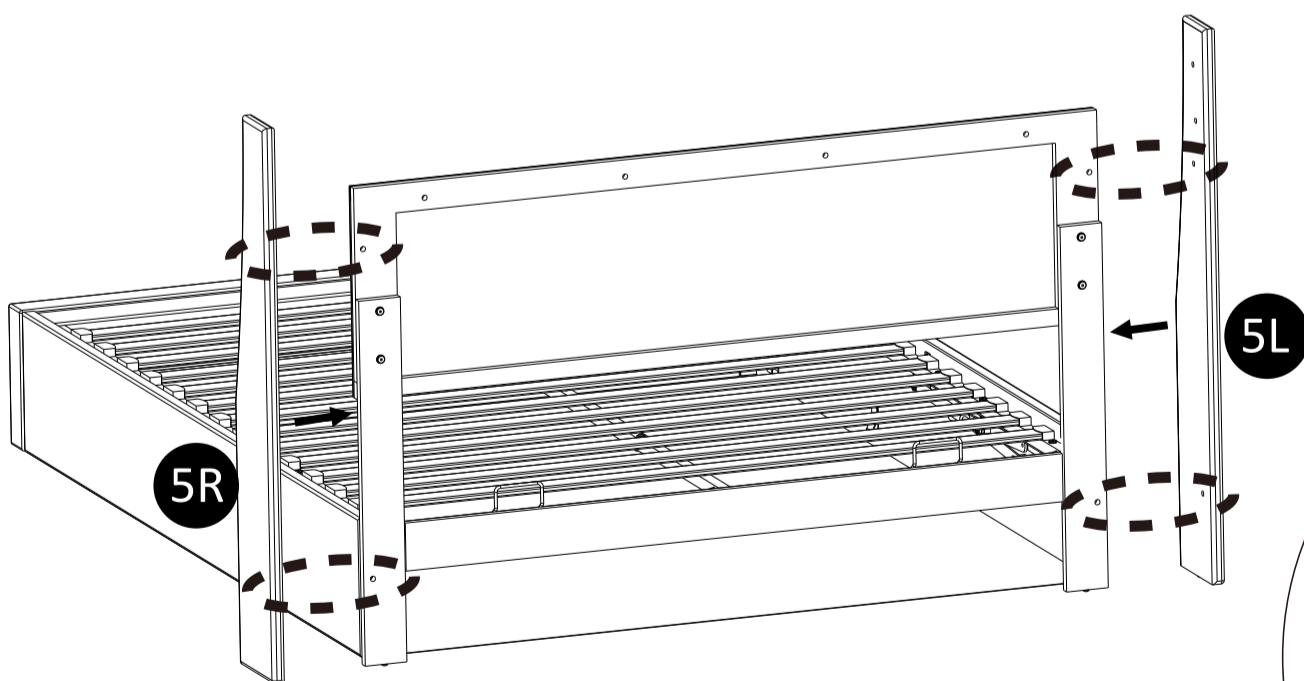
M8 x 20mm



G x 8pcs

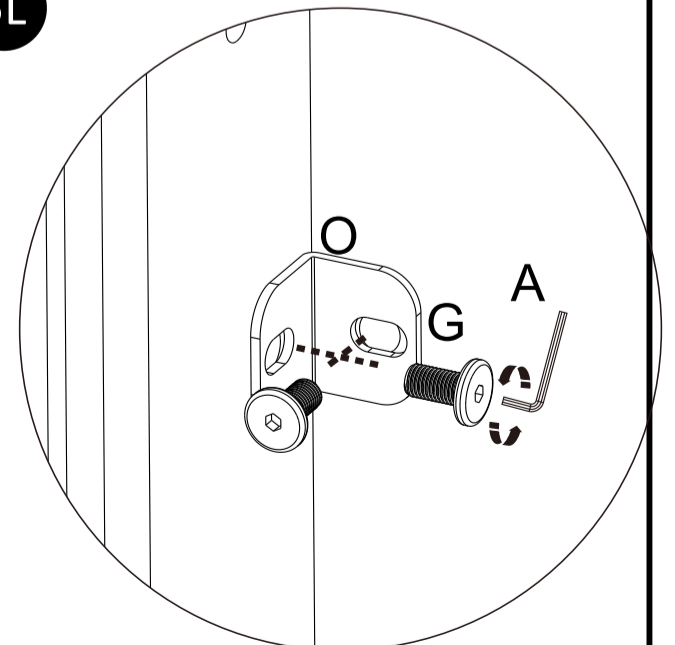


O x 4pcs

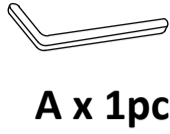


5L

5R



STEP
19



A x 1pc

M8 x 12mm



E x 6pcs

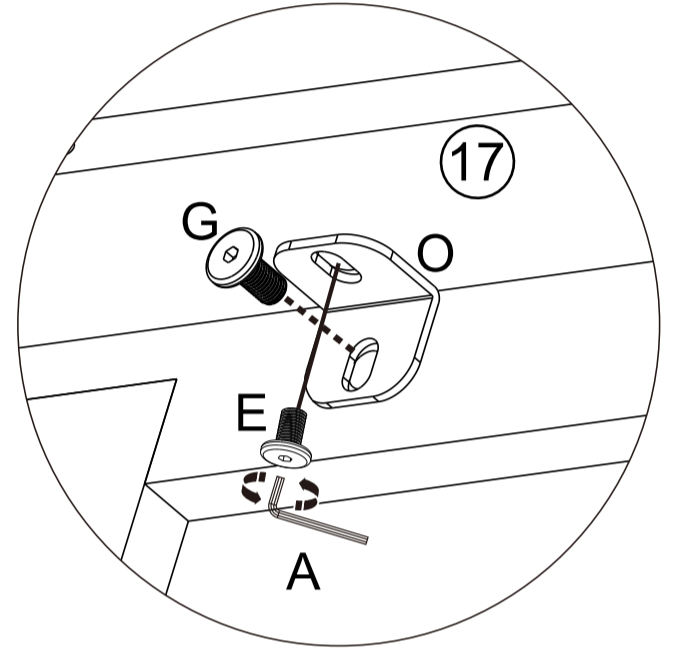
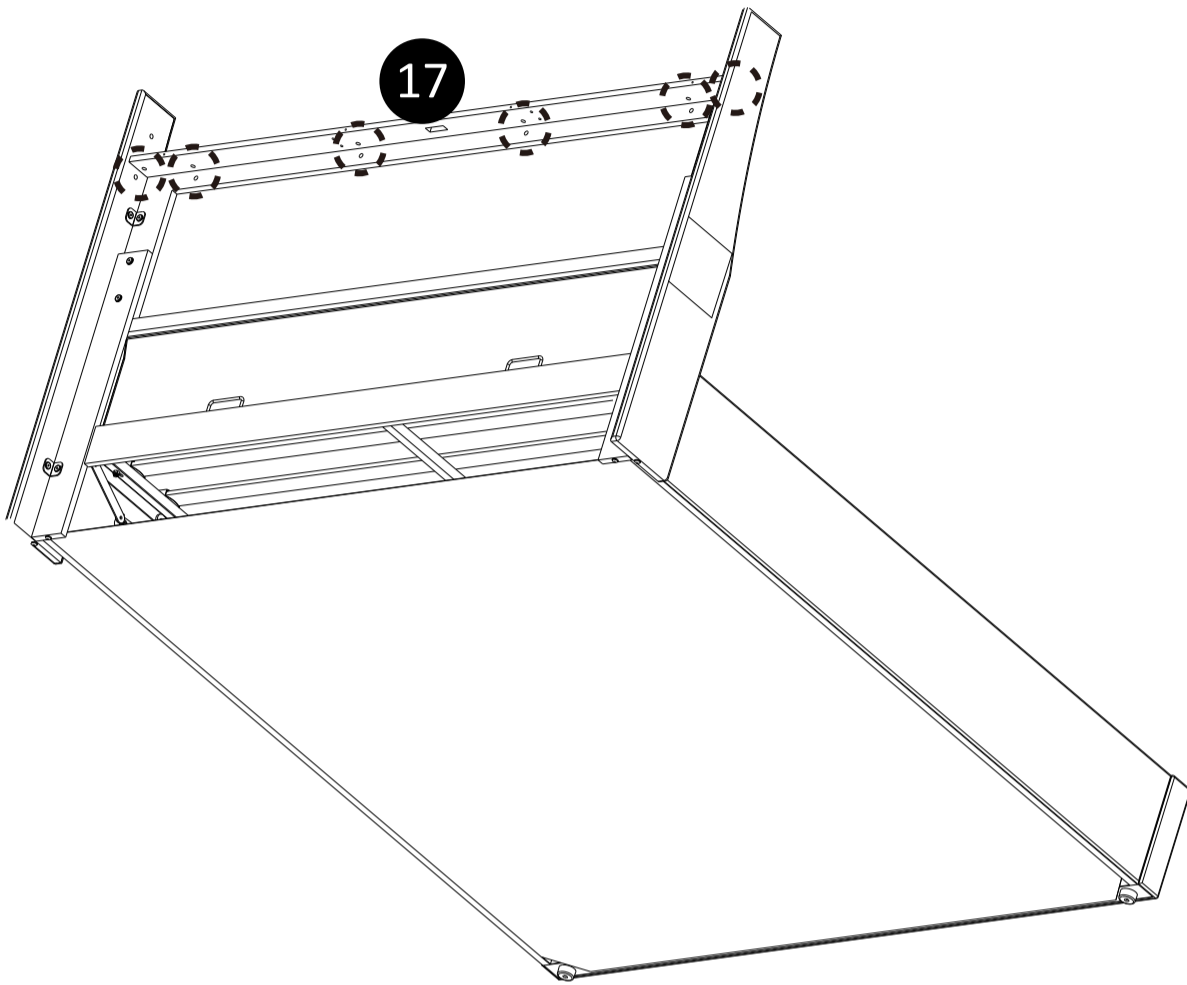
M8 x 20mm



G x 6pcs



O x 6pcs



STEP
20

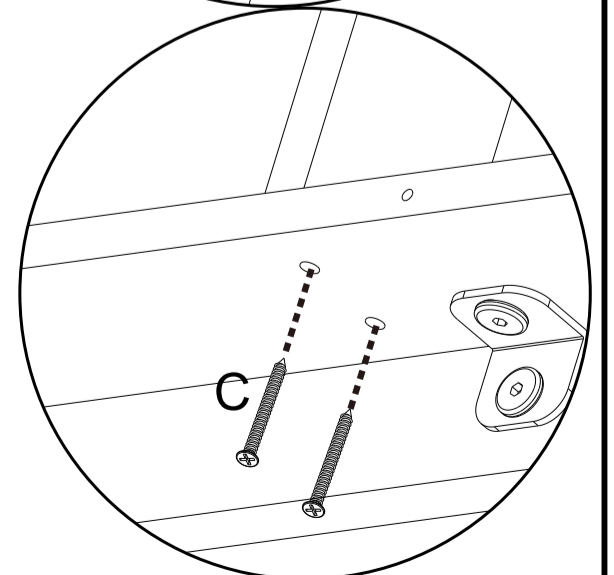
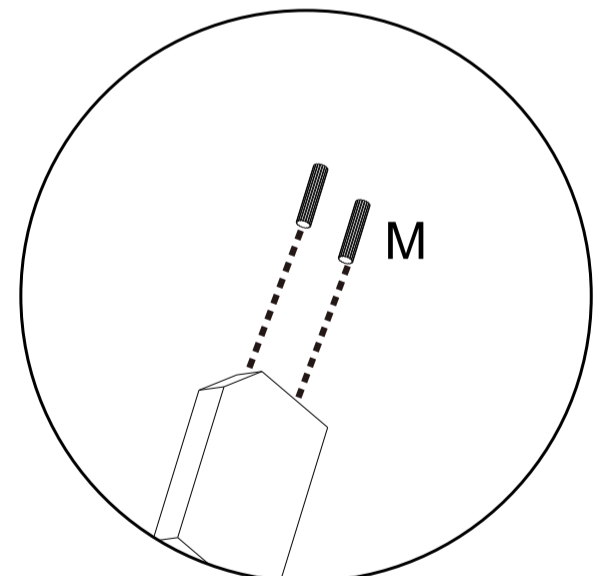
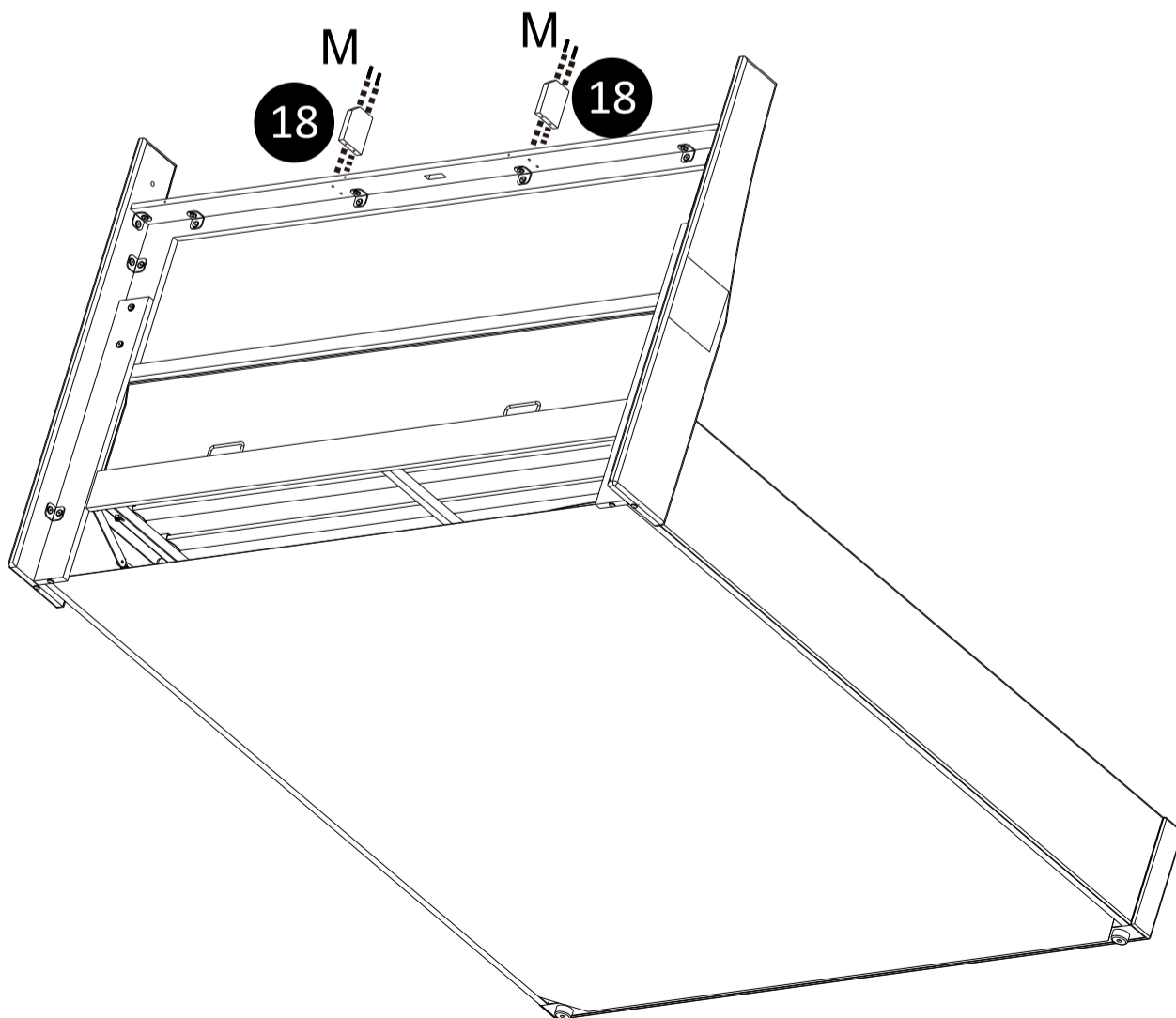
5.0 x 50mm



C x 4pcs



M x 4pcs



**STEP
21**



A x 1pc

M8 x 12mm



E x 2pcs

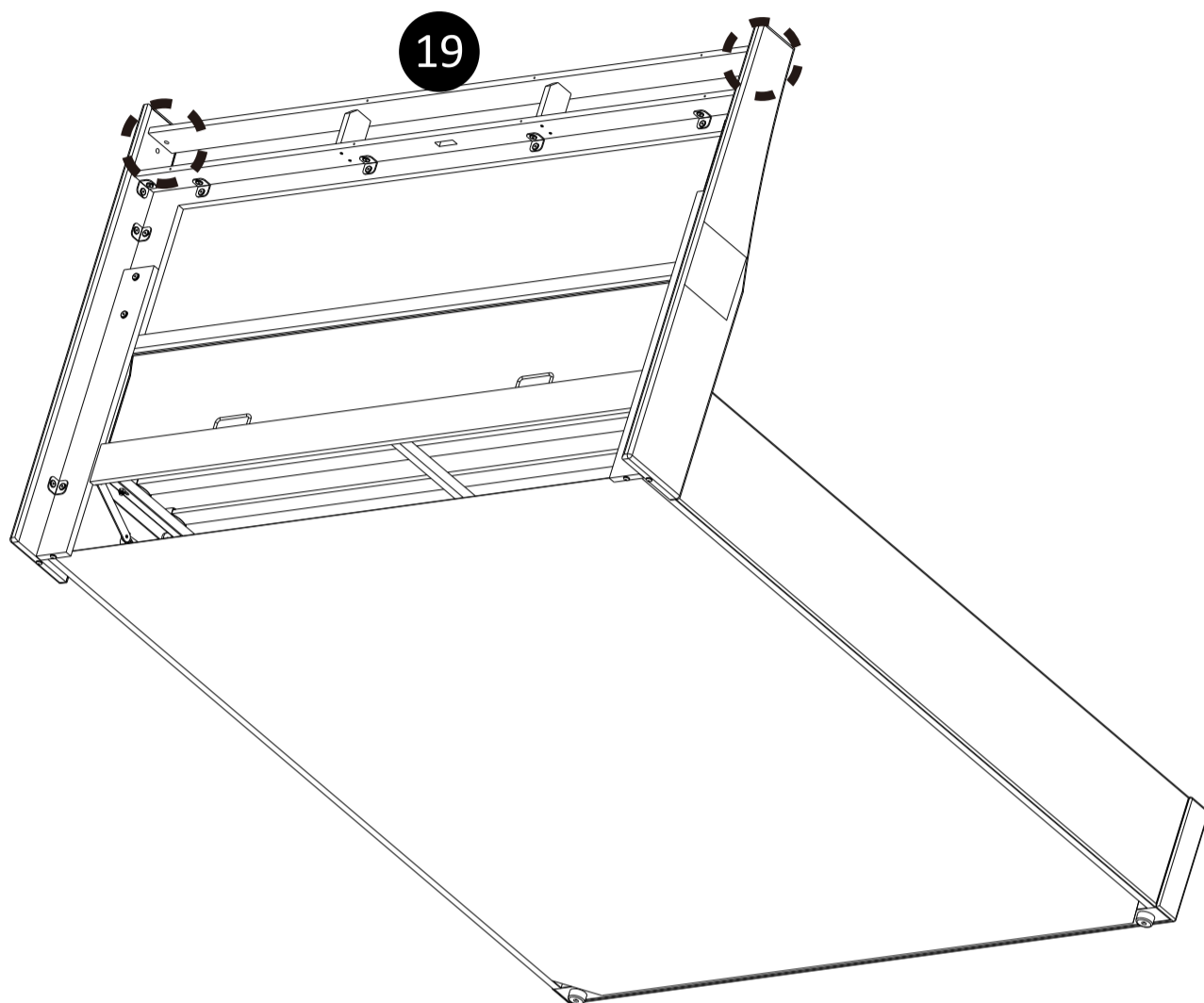
M8 x 20mm



G x 2pcs



O x 2pcs

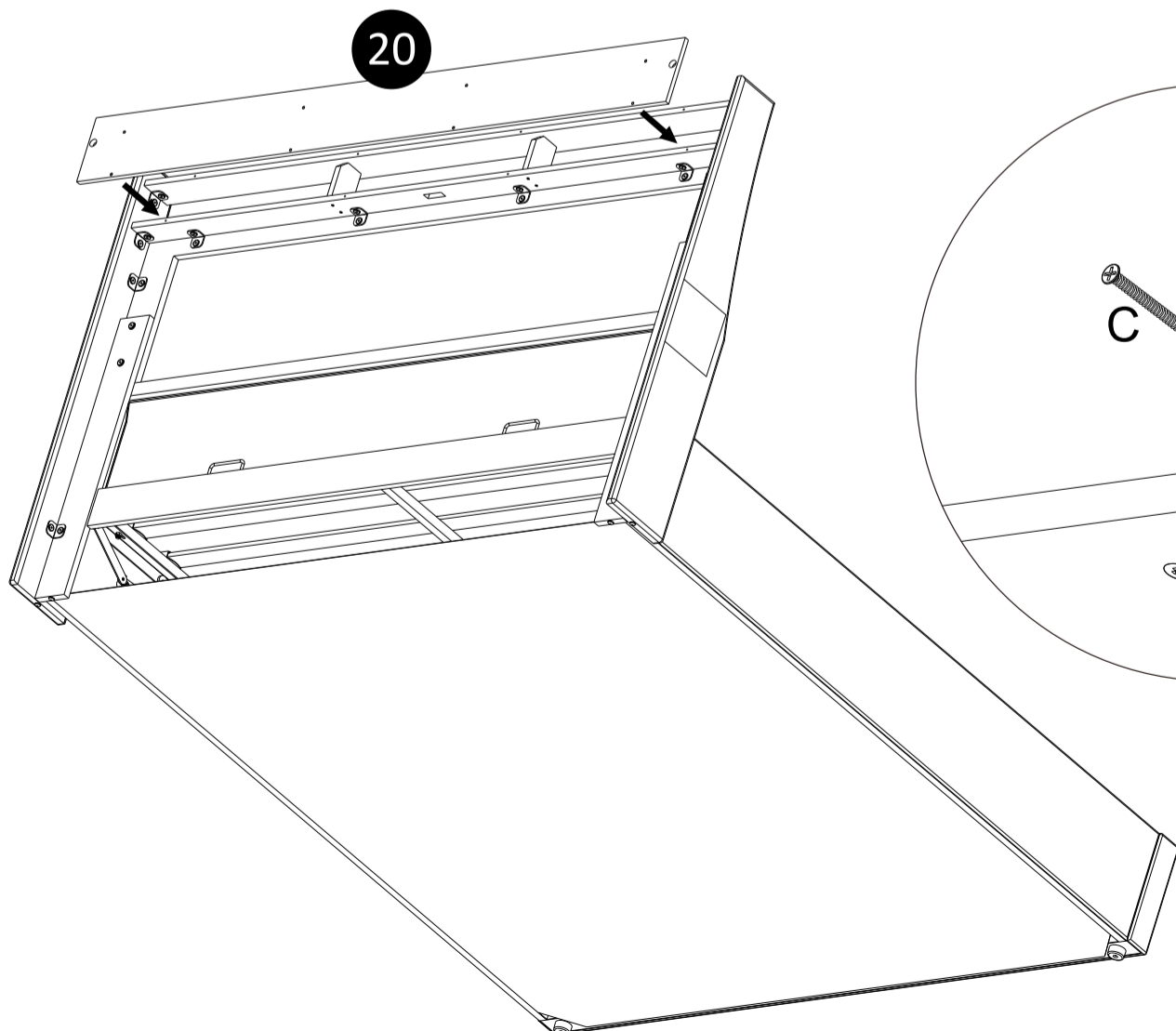


**STEP
22**

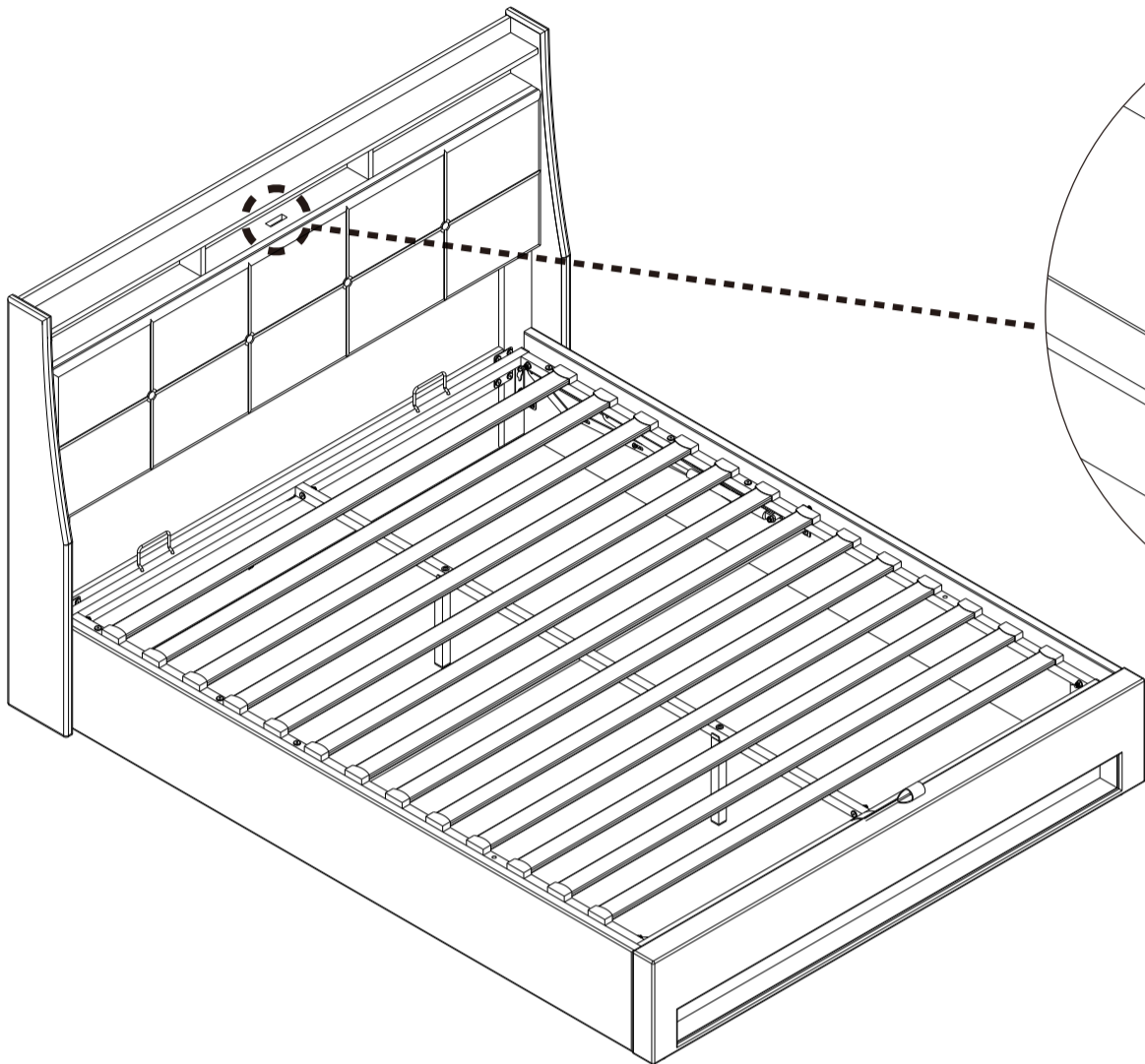
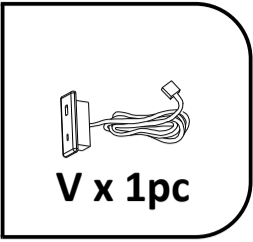
5.0 x 50mm



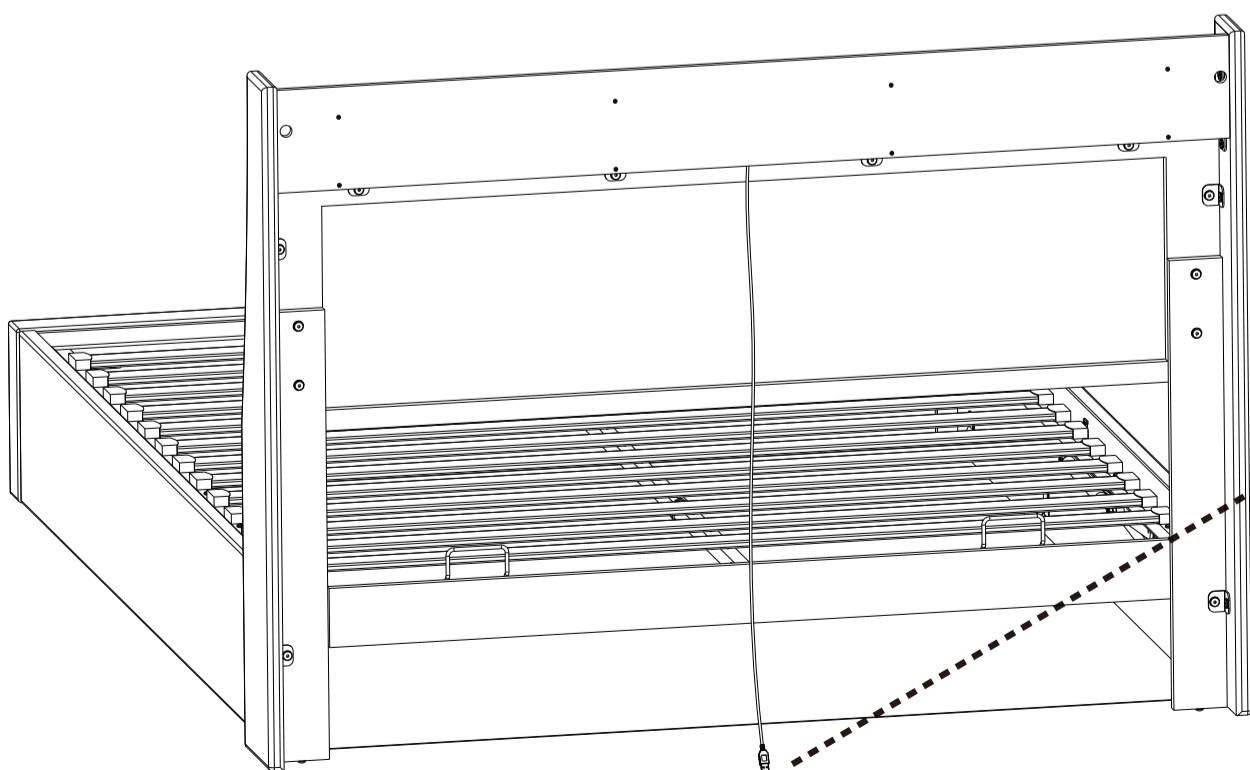
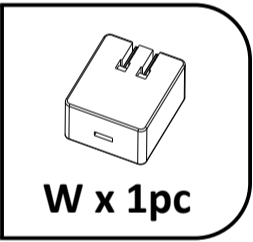
C x 8pcs



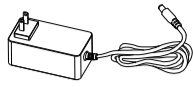
STEP
23



STEP
24



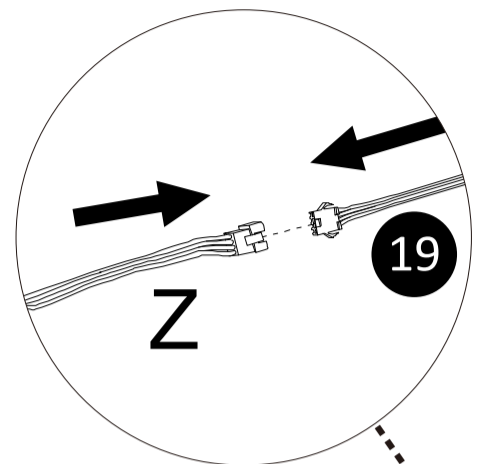
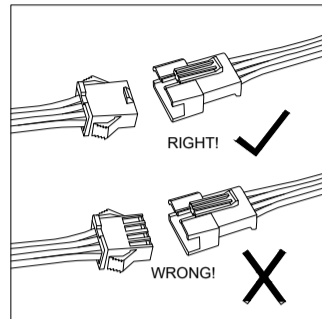
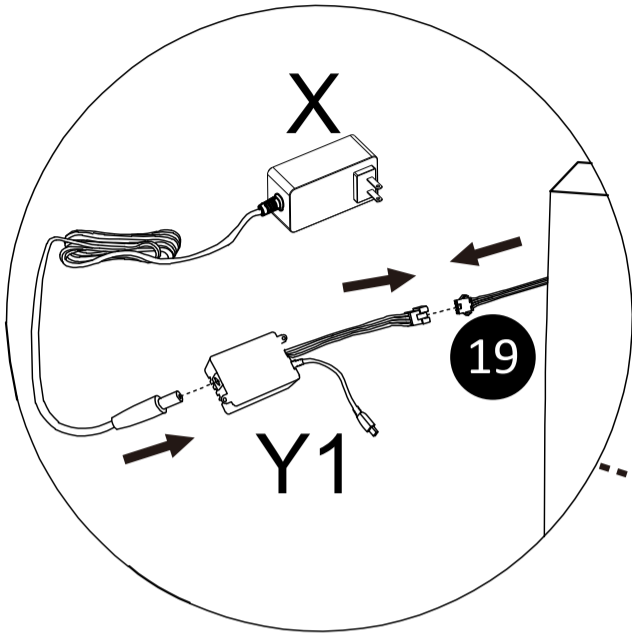
STEP 25



X x 1pc



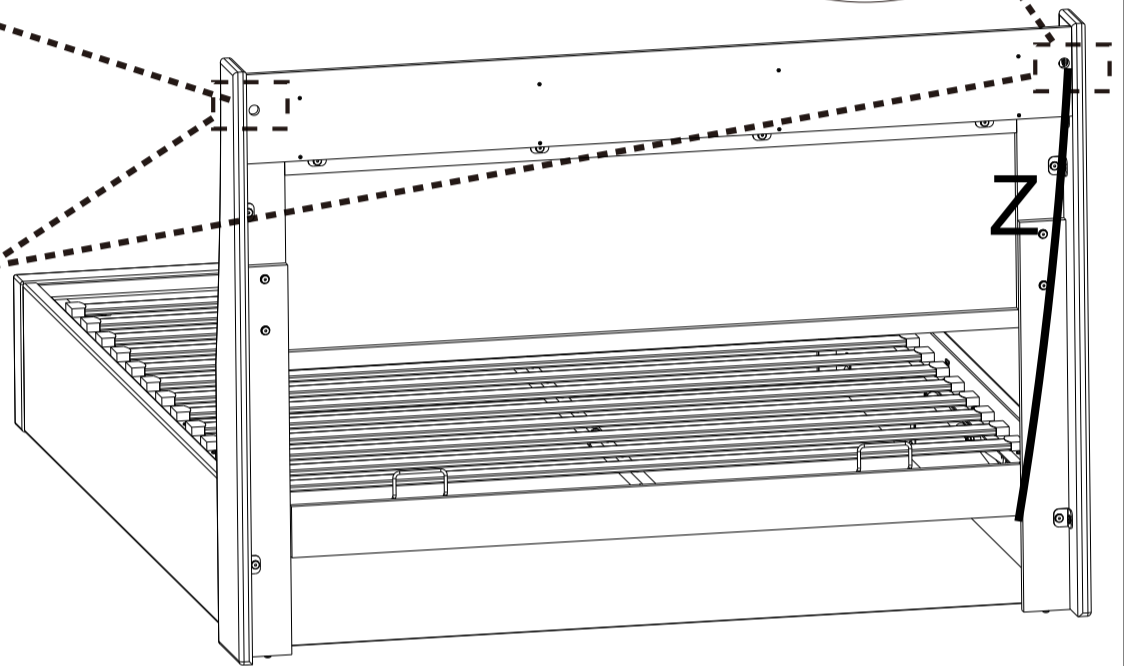
Y1 x 1pc



Hinweis: Bitte entfernen Sie das Etikett und fädeln Sie dann den Faden durch die grüne Kreismarkierung. Dies stellt keine Beschädigung des Produkts dar. Vielen Dank für Ihr Verständnis.

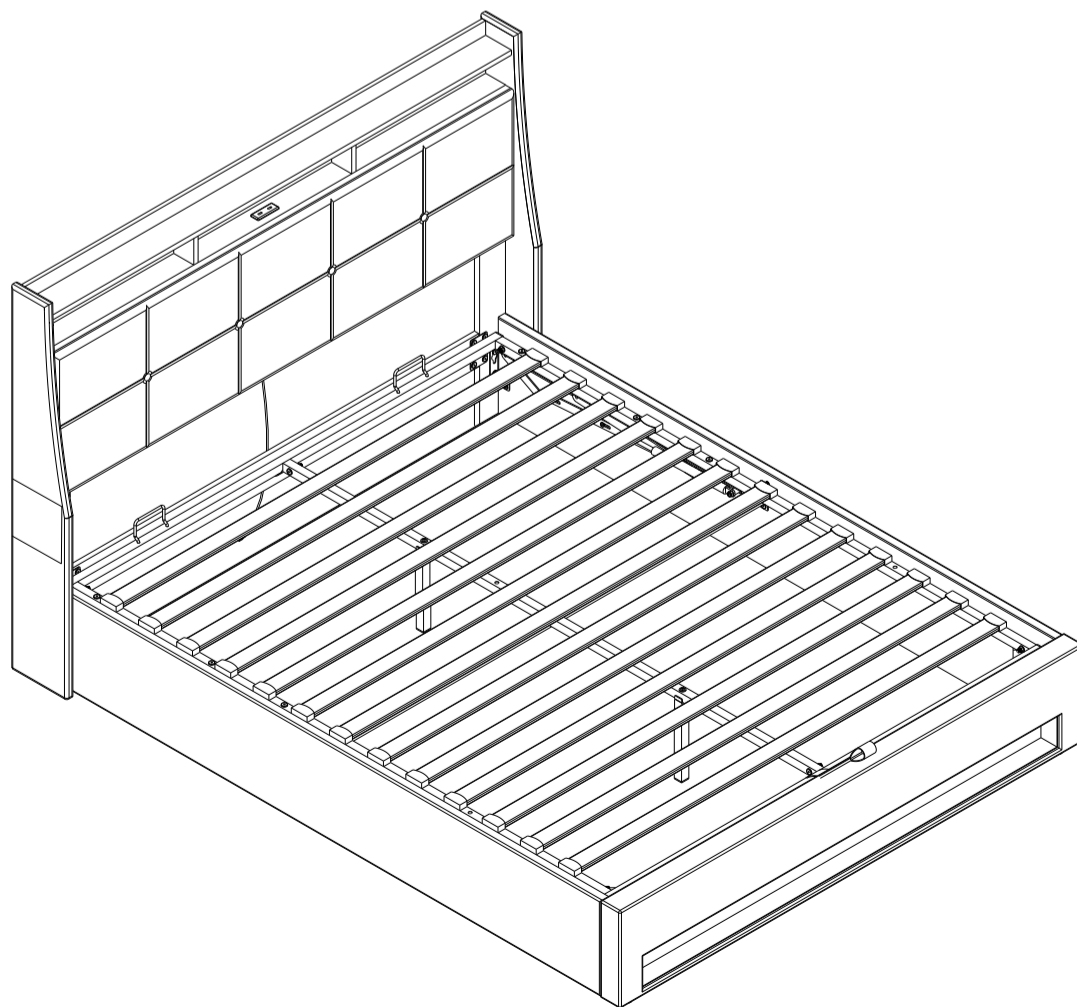
Indication: Veuillez retirer l'autocollant, puis passer le fil à travers le cercle vert. Cela n'endommage pas le produit. Merci pour votre compréhension.

Tip: Please peel off the sticker, then thread the string through the green circle mark. This is not product damage. Thank you for your understanding.



STEP 26

Excellent!
Installation Completed



★ IMPORTANT NOTICE ★

HYDRAULIC BED OPERATING INSTRUCTIONS

Once your bed frame is completely assembled, the slat unit will not operate correctly unless a mattress is placed on the slat frame. Position the mattress on the slat frame whilst it is in the closed position.

PLEASE NOTE - It takes a lot of force to make the initial movement of the ottoman. This is a design feature of the product so that it does not fall shut the nearer to being closed the ottoman is, the easier it is to move. When the ottoman is almost shut, it will close completely under its own weight.

When lowering the slat unit for the first time, take care to make sure it does not rub unevenly on the inside face of the side rails. If it does, the bed has been assembled slightly out of square. This can be rectified by moving the foot end of the bed slightly to the left or right whilst leaving the head end stationary.

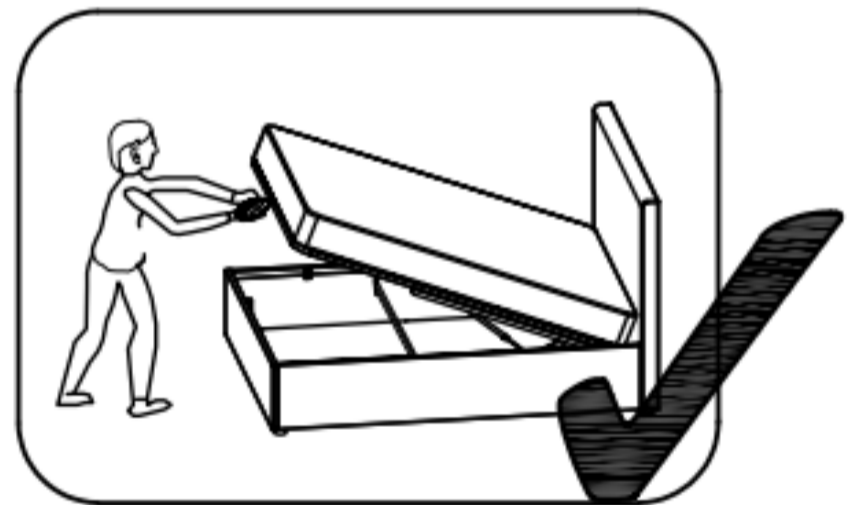
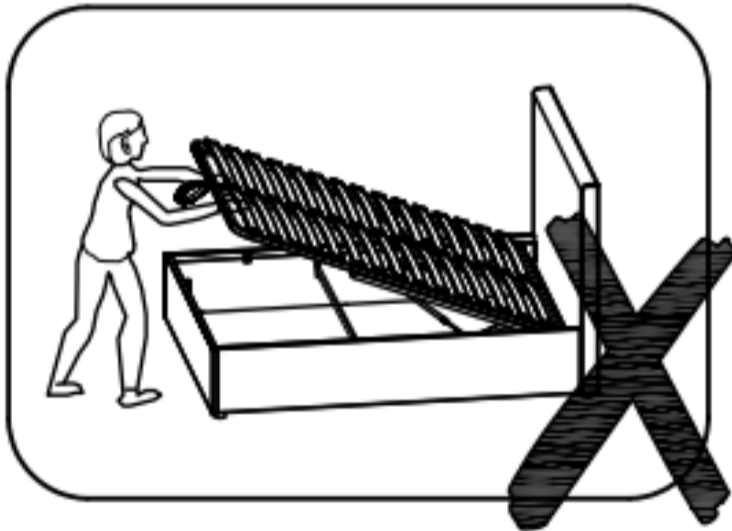
PISTONS

The pistons used in the construction of this product are extremely strong and cannot be operated by hand when taken off the ottoman. All pistons are tested for correct pressure and operation before being attached to the slat unit.

Initially it might appear that the pistons are very stiff when opening and closing the ottoman.

THIS IS PERFECTLY NORMAL

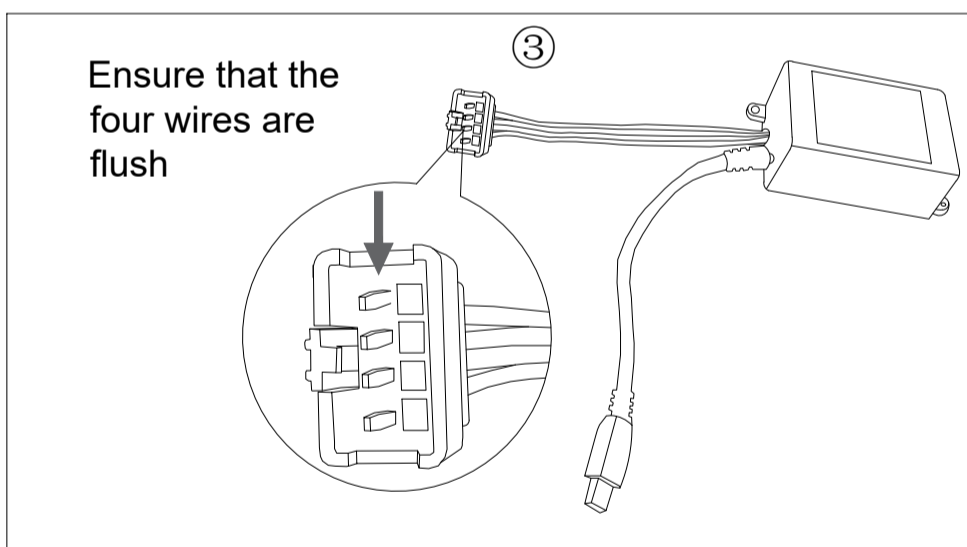
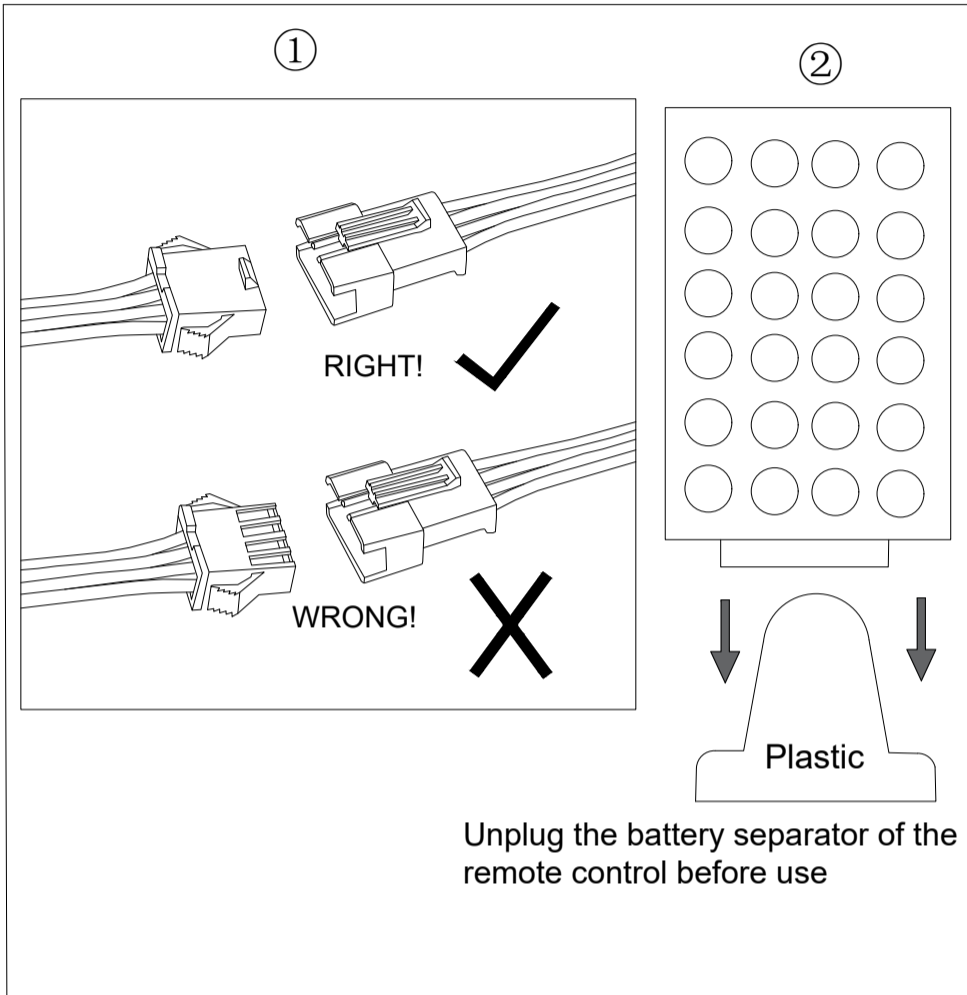
When fully assembled and the mattress is in position, please raise and lower the ottoman 4/5 times to ensure the gas piston are fully lubricated.



LED light

If you can't let the lights work successfully, please check the following:

1. Please check the direction of the connect, try it in the opposite direction, according to the following picture.
2. Please check the remote control, it need you to tear down the plastic septum before use it.
3. If one of the colors is not bright, please check whether the four wires in the plug are skewed, and move the main line to make the four wires flush.



1. Please check the direction of the arrow
2. Please pull the plastic block out of the remote control
3. Please check whether the four wires of the plug are neat

Operation Instructions of Controller

I. Specifications:

Working temperature: -20-60 °C

Supply voltage: DC12V

Product size: L62xW35xH23mm

Package size: L95xW68xH45mm

Net weight: 42g

Gross weight: 57g

Output: Three CMOS drain- open output

Connecting Mode: Common anode

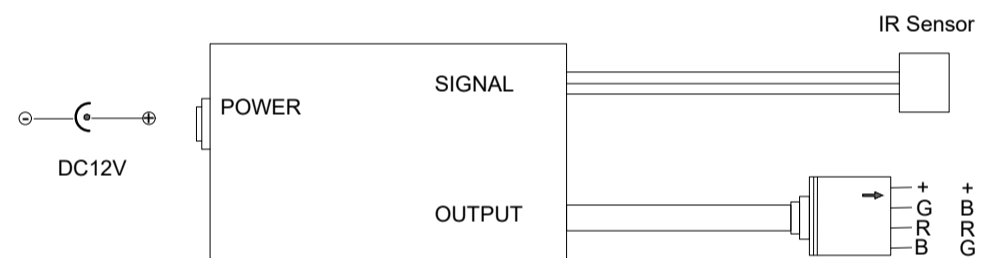
Max load current: 2 A each color

II. Control Method:

Adopt IR remoter to control the led controller, which has 24 buttons, the function of each button as the table below:

Brightness + (Speed up)	Brightness - (Speed down)	Off	On
Static red	Static green	Static blue	Static white
Static orange	Static pea green	Static dark blue	7 color jumpy change
Static dark yellow	Static cyan	Static brown	All fade out&fade in
Static yellow	Static light blue	Static pink	7 color fade change
Static straw yellow	Static sky blue	Static purple	3 base color jumpy

III. Panel specification and connecting drawing as follows:



IV. Warning:

1. Supply voltage of this product is DC12V never connect to DC24V or AC220V.
2. Never connect two wires directly in case of short circuit.
3. Lead wire should be connected correctly according to colors that connecting diagram offers.
4. Warranty of this product is one year, in this period we guarantee replacement or repairing with no charge, but exclude the artificial situation of damaged or overload working.

! WARNING

THIS PRODUCT CONTAINS A BUTTON BATTERY

If swallowed, a lithium button battery can cause severe or fatal injuries within 2 hours.

Keep batteries out of reach of children.

If you think batteries may have been swallowed or placed inside any part of the body, seek immediate medical attention.