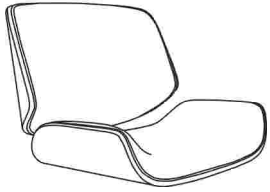


ASSEMBLY INSTRUCTIONS

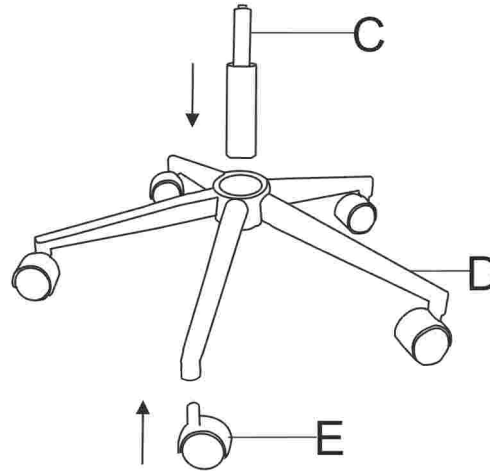
Ax1



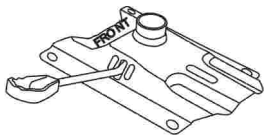
Ex5



1



Bx1

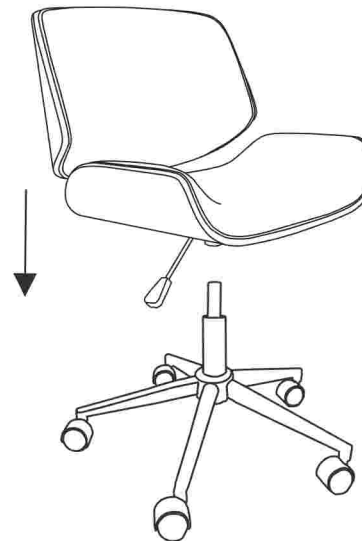


Fx4

M6x18mm

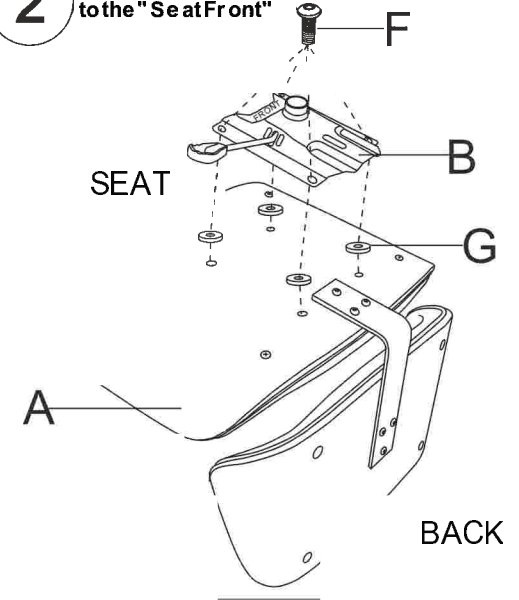
Gx4

3

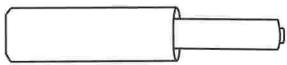


2

"FRONT" sign on the base plate MUST point to the "SeatFront"



Cx1



25x10x3mm

Hx1

4



Dx1

