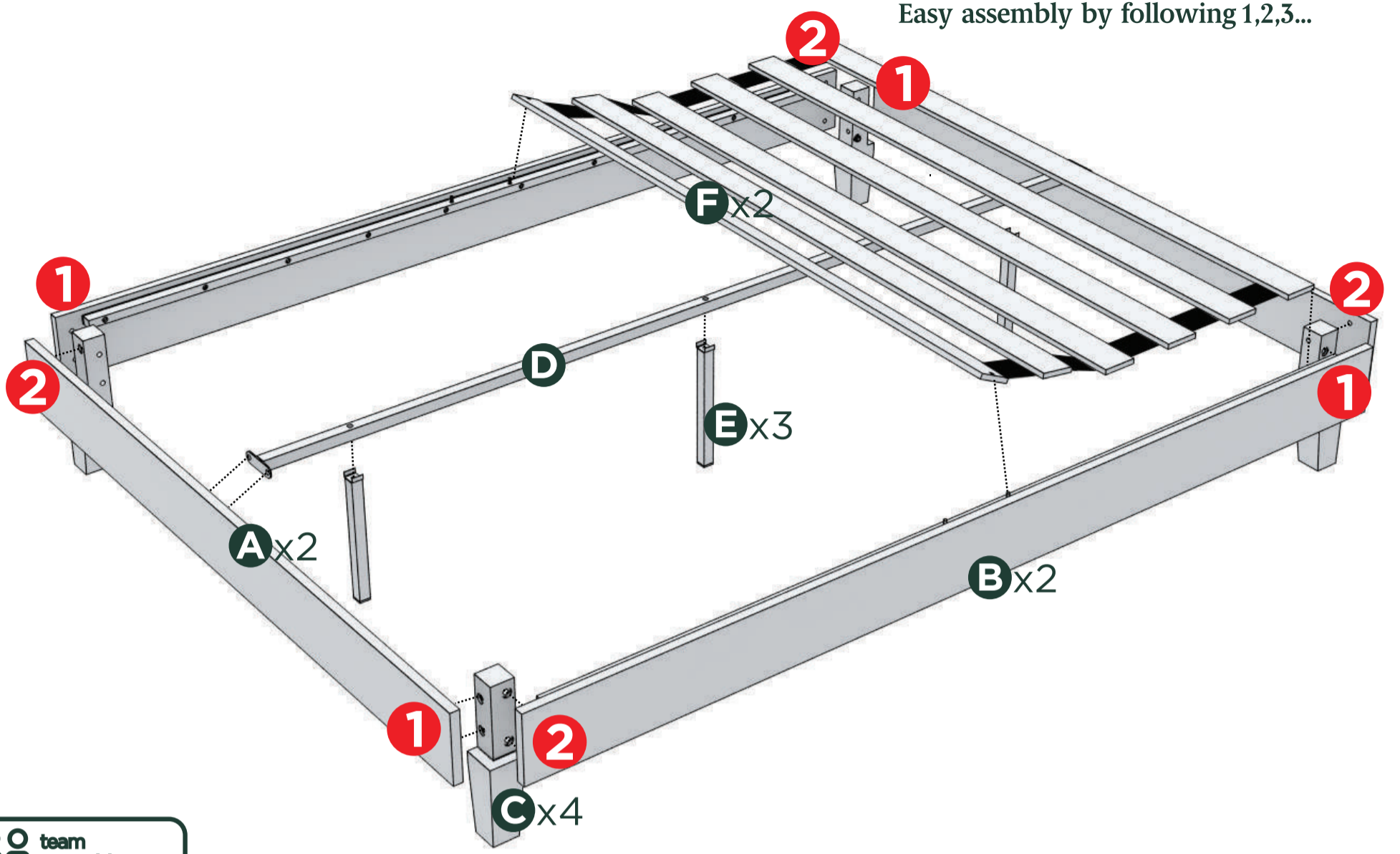





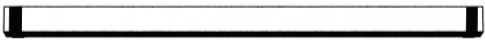






Numbering System

Easy assembly by following 1,2,3...



Components

-  **A** x 2 pcs
-  **B** x 2 pcs
-  **C** x 4 pcs
-  **D** x 1 pc
-  **E** x 3 pcs
-  **F** x 2 pcs
-  **S** x 4 pcs
-  **M** x 3 pcs
-  **L** x 16 pcs
-  x 1 pc

Return Policy

believes you will absolutely love but if for some reason you want to return the product, please contact us directly before you decide to return your product to the retailer. Our Customer Service organization can answer most concerns and can assist you with any questions you may have about your new product.

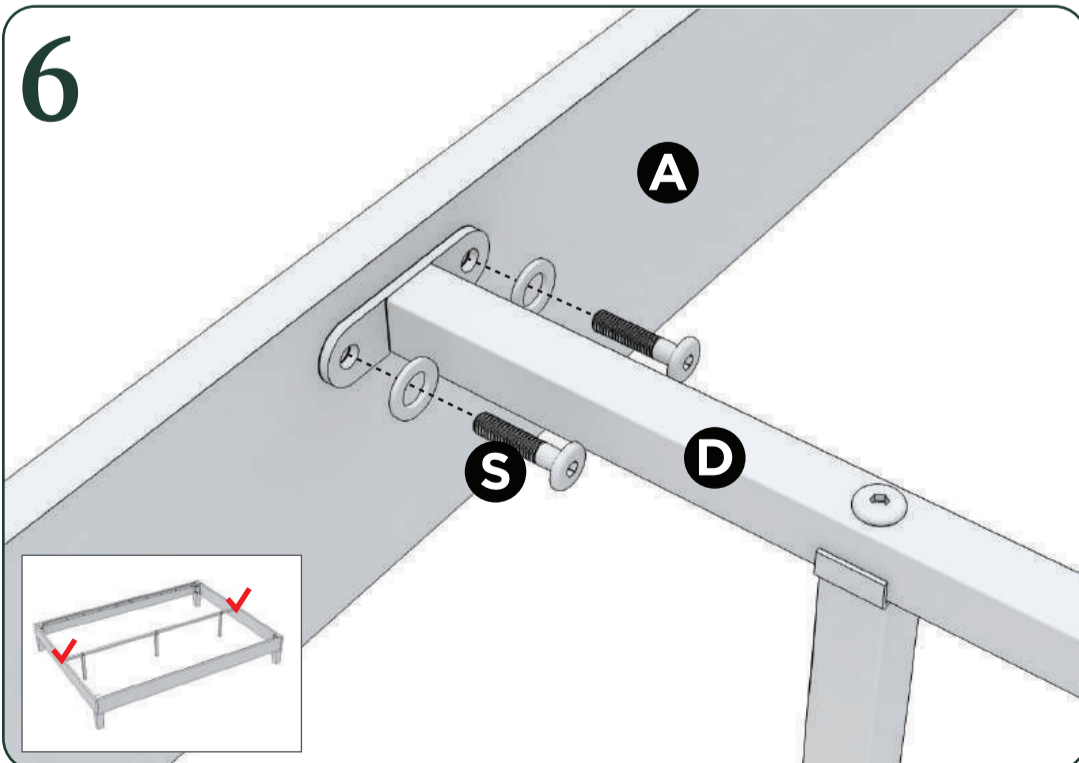
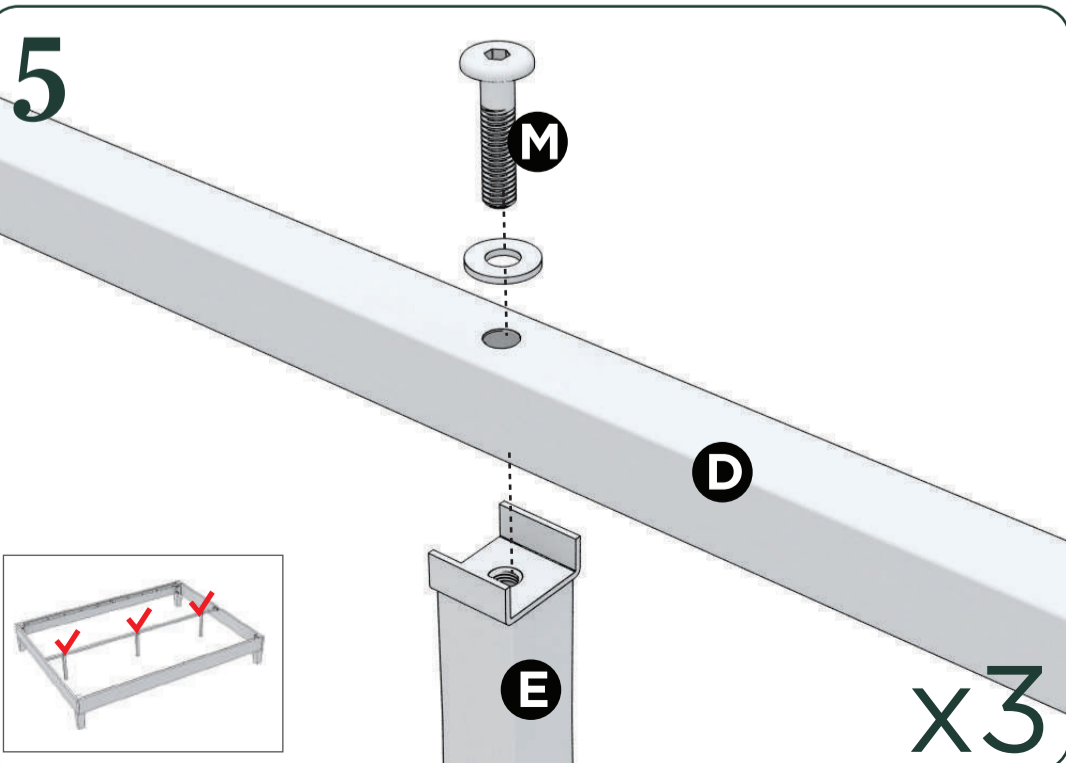
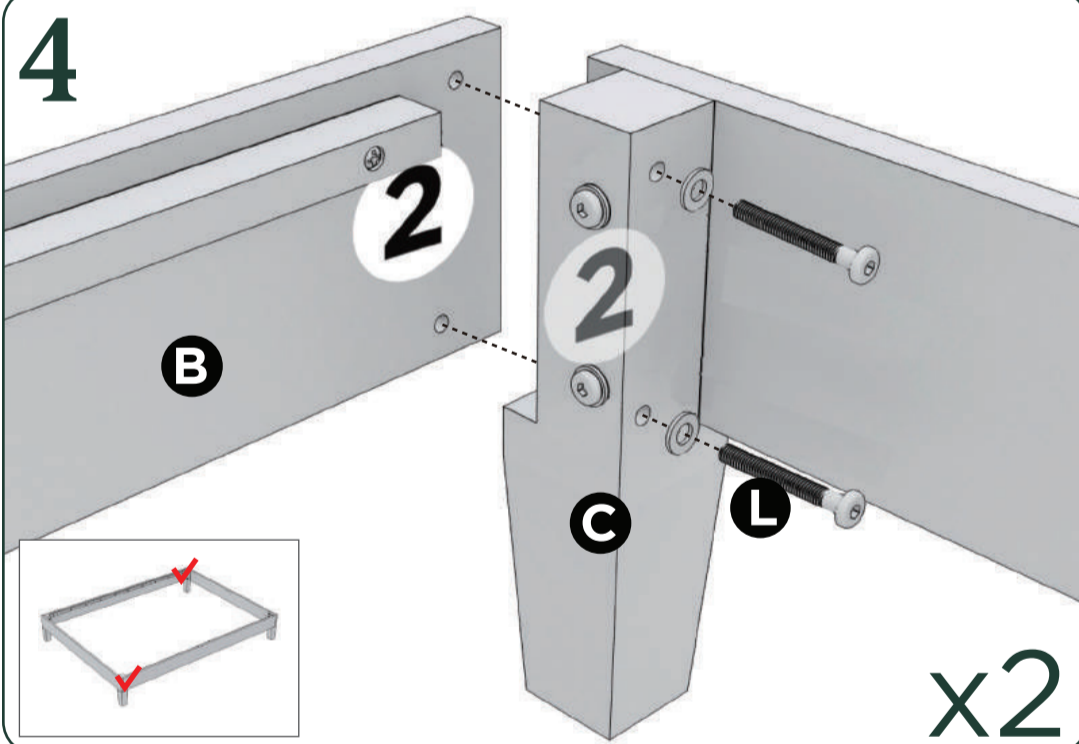
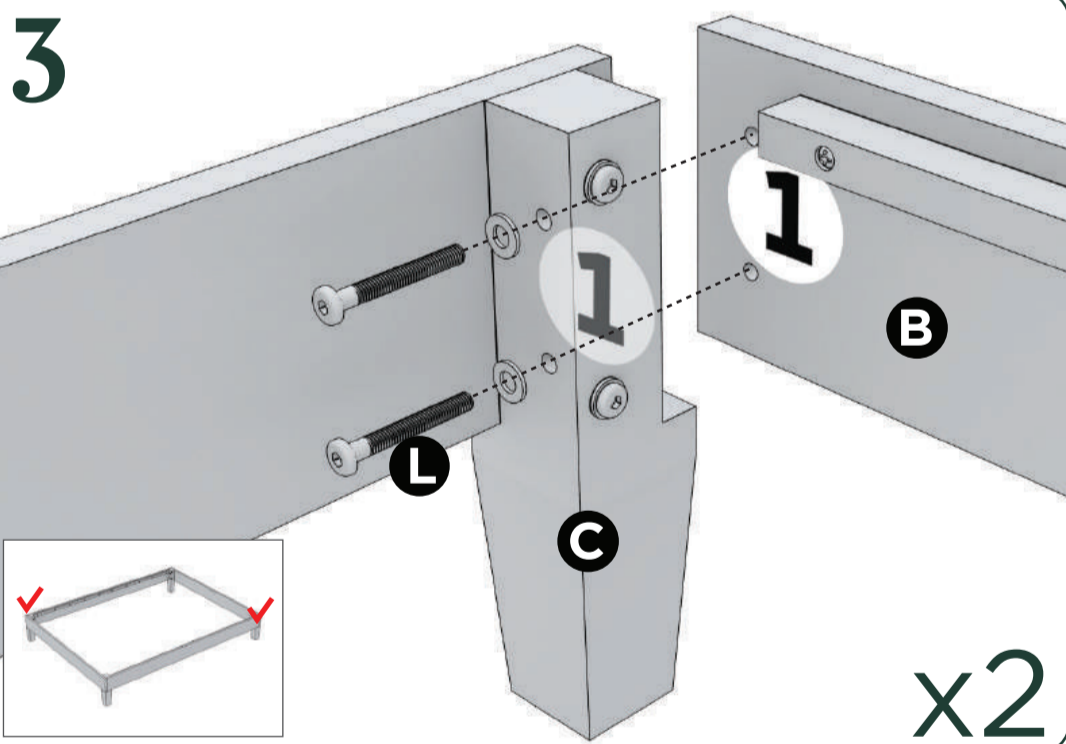
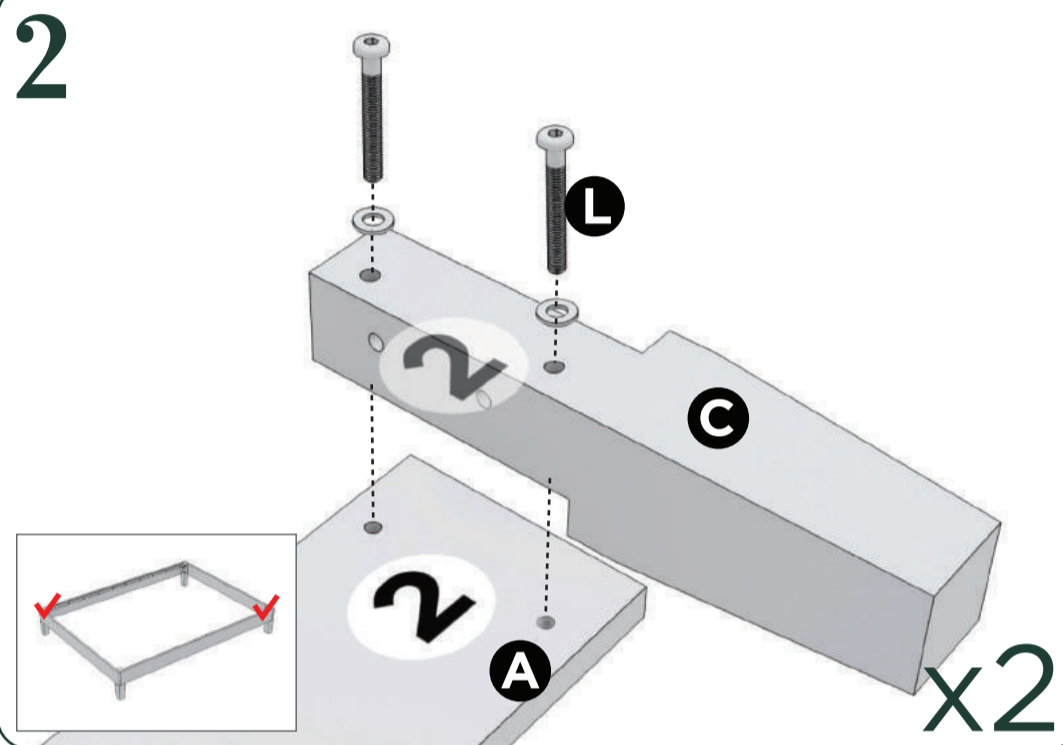
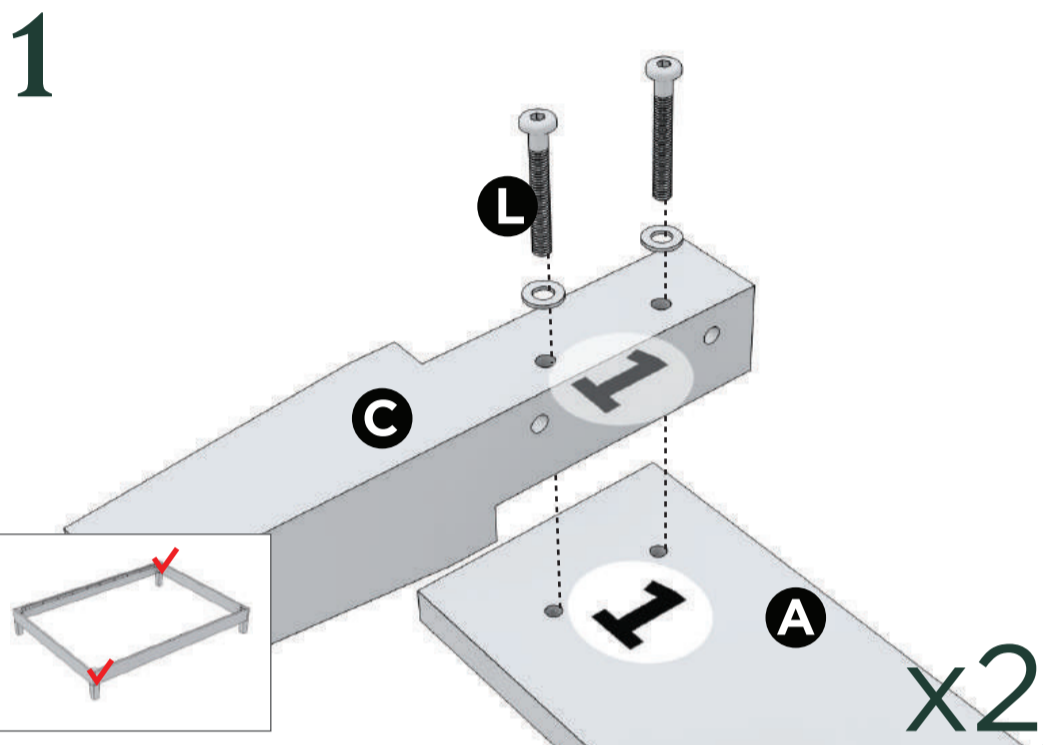
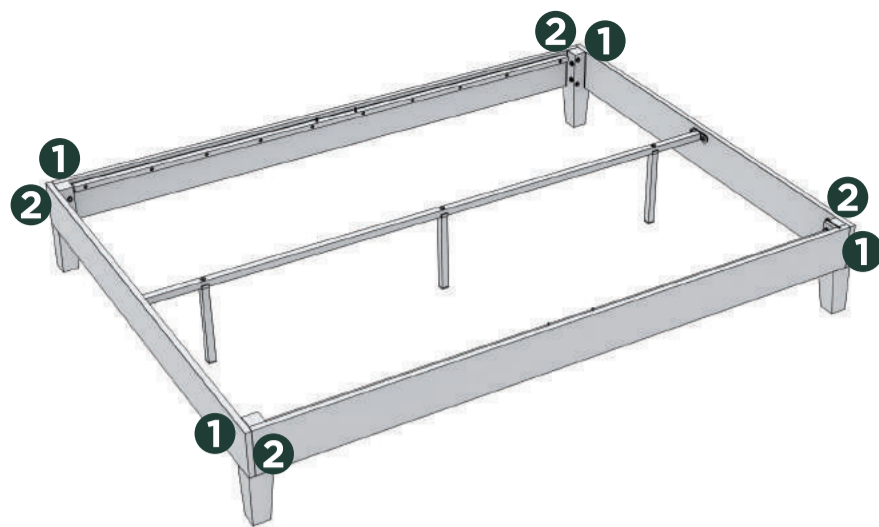
The item must be returned in good condition, in original box, with all original proof of purchase, parts and accessories, within the time frame specified by the retailer it was purchased from.

Easy as 1 2 3

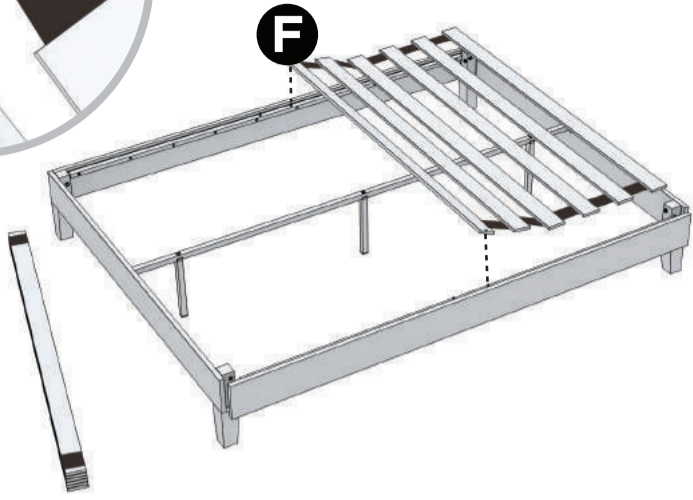
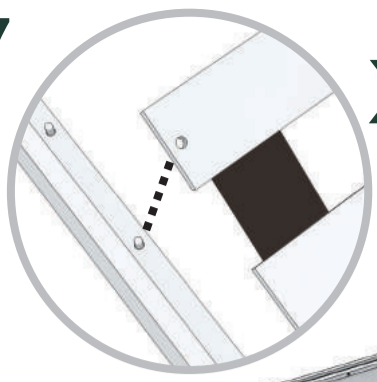
Assembly Instruction

Numbers must Match for Secure Assembly

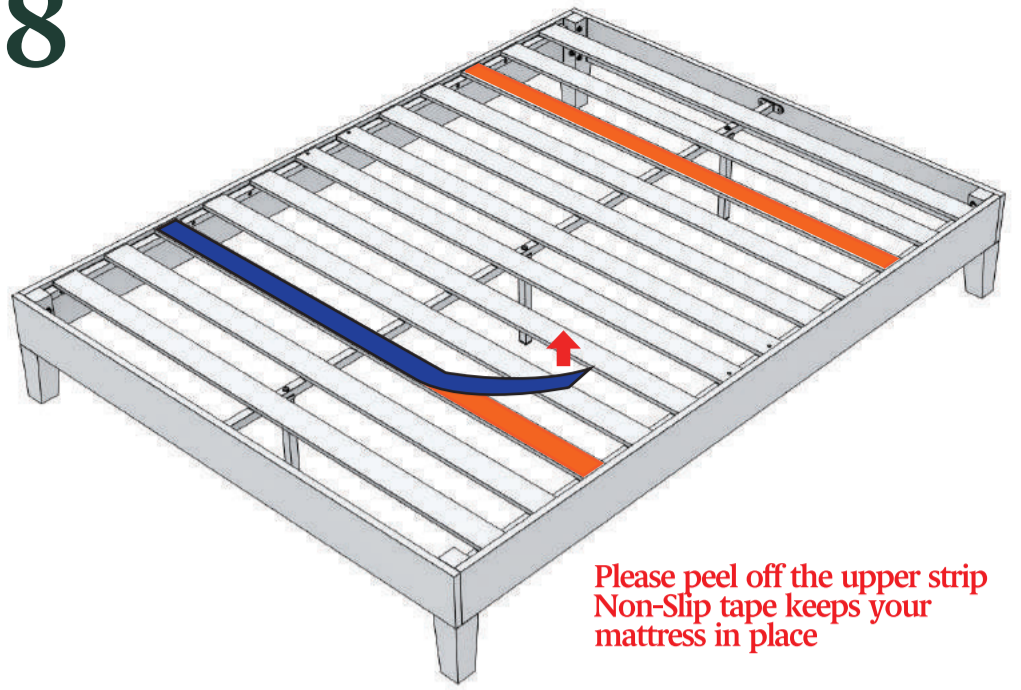
1 2



7 x2



8



Please peel off the upper strip
Non-Slip tape keeps your
mattress in place

9

