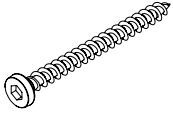
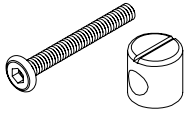
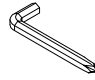
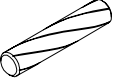
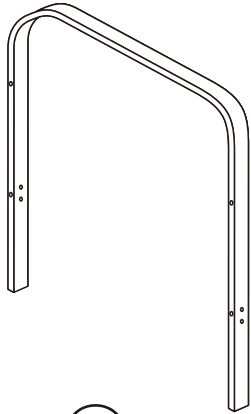


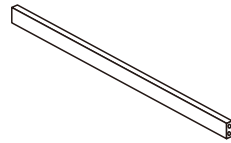
ASSEMBLY INSTRUCTIONS

<<Before assembling, read all the instruction>>

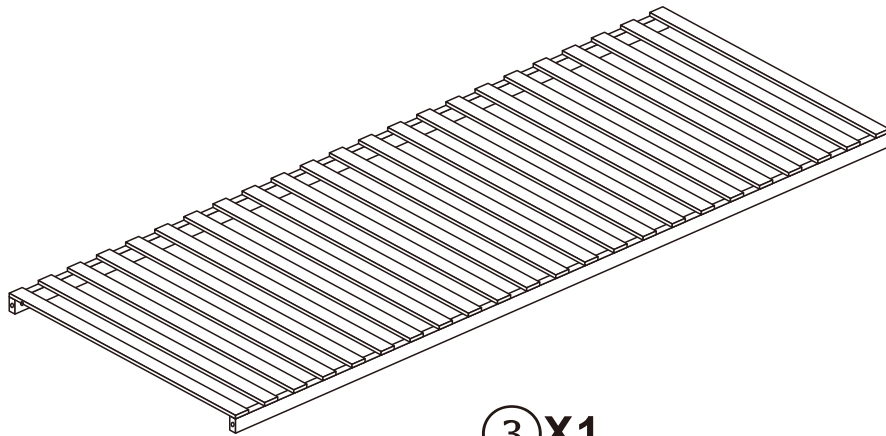
	Ax8		Bx8		Cx1
	Dx8				



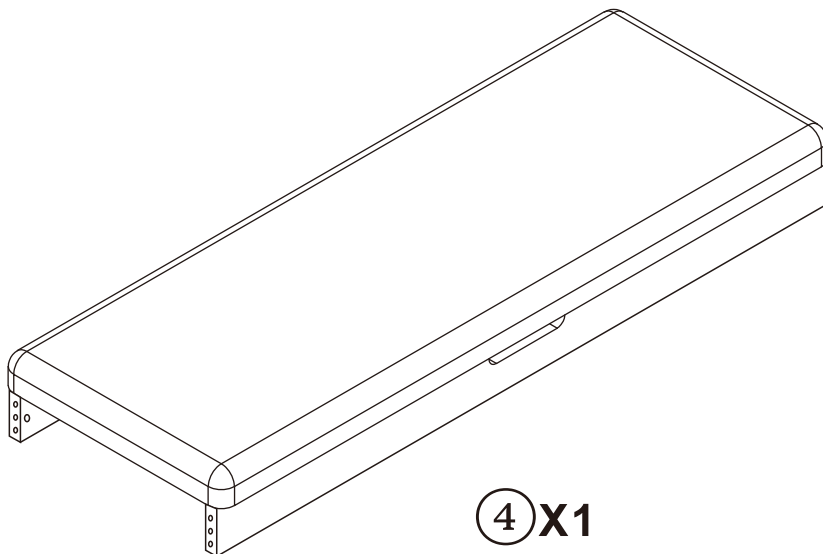
① X2



② X2

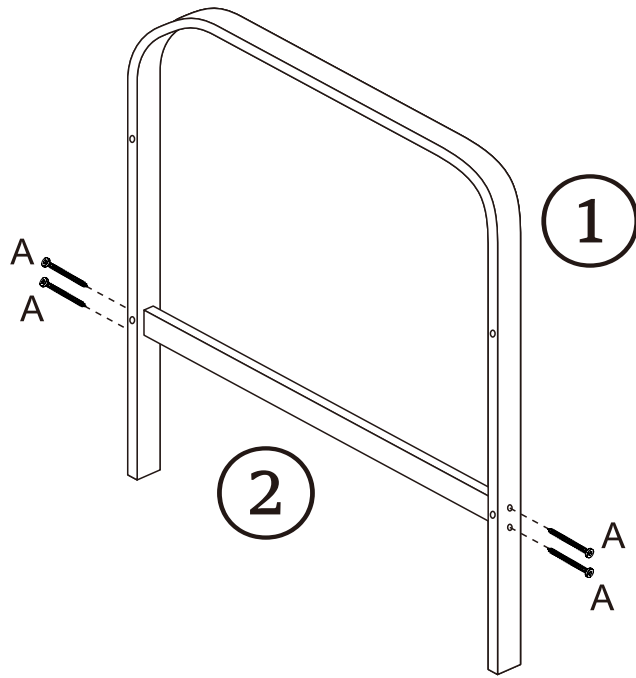


③ X1



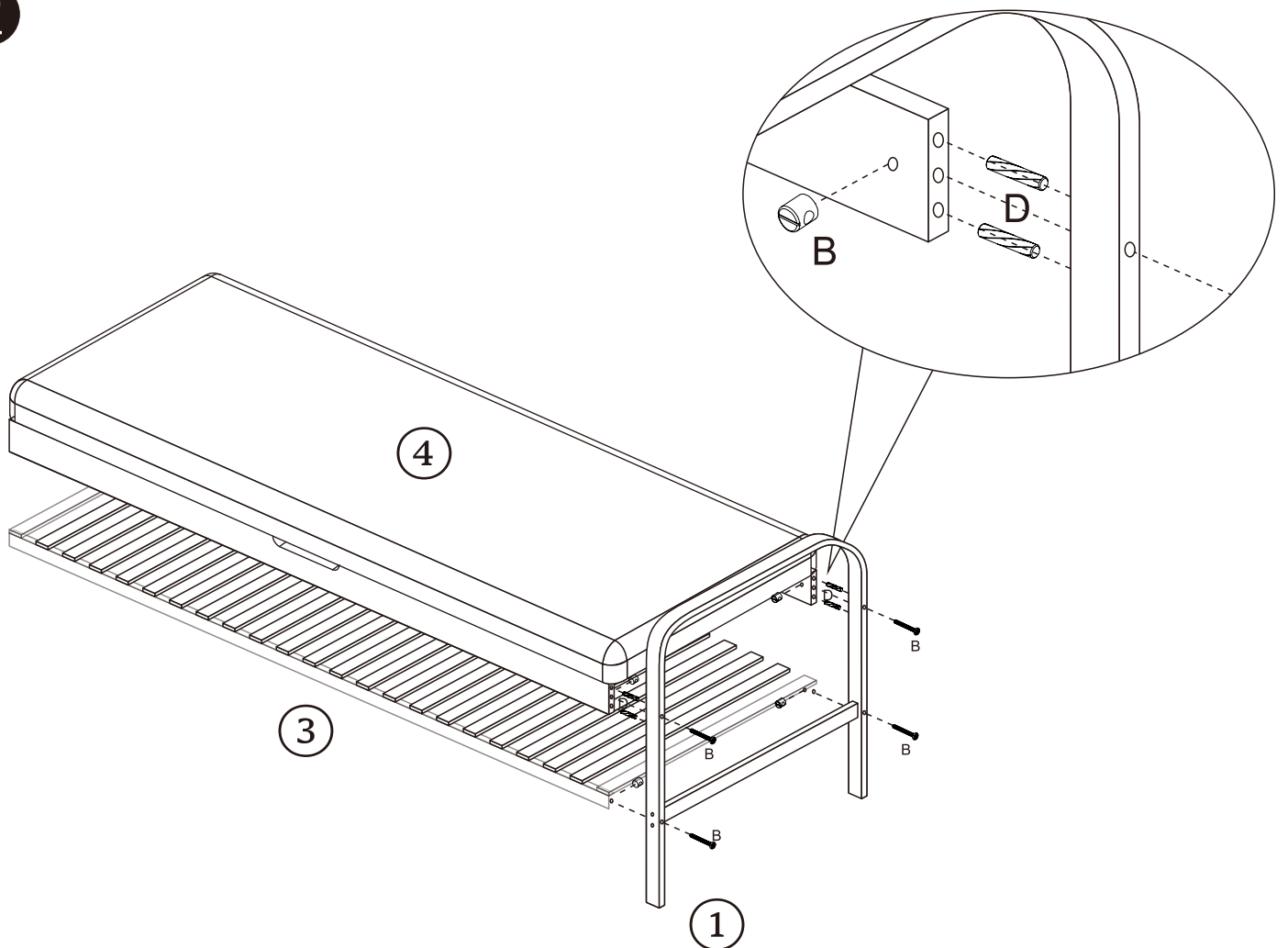
④ X1

1

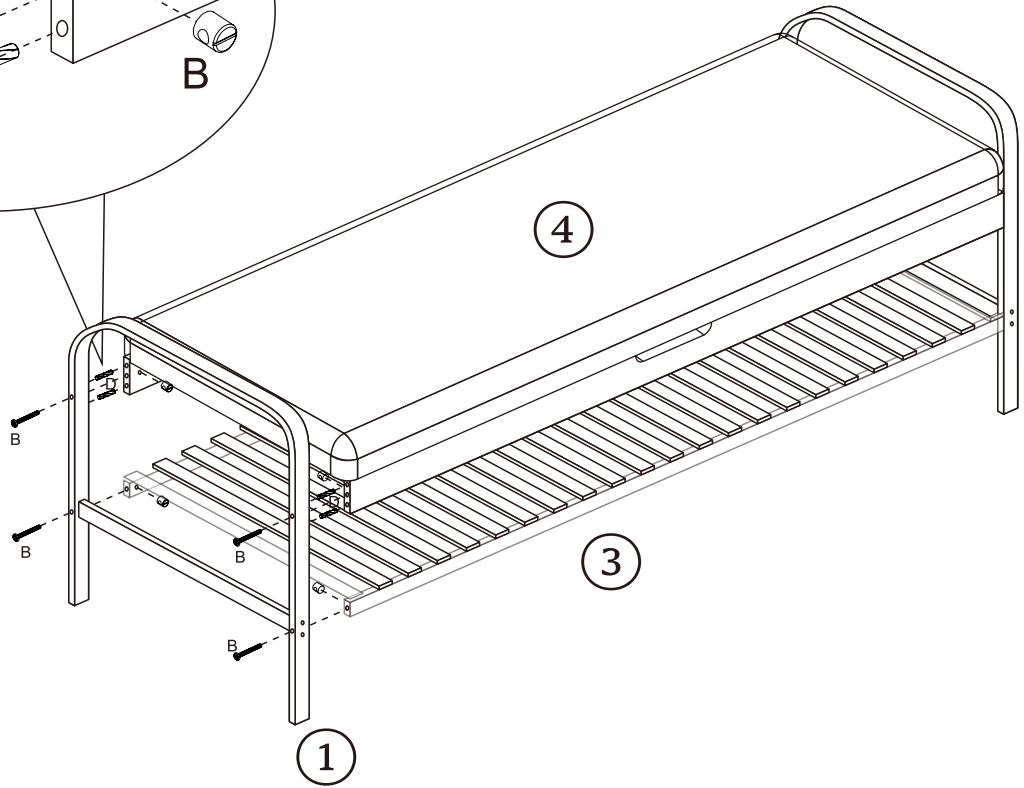
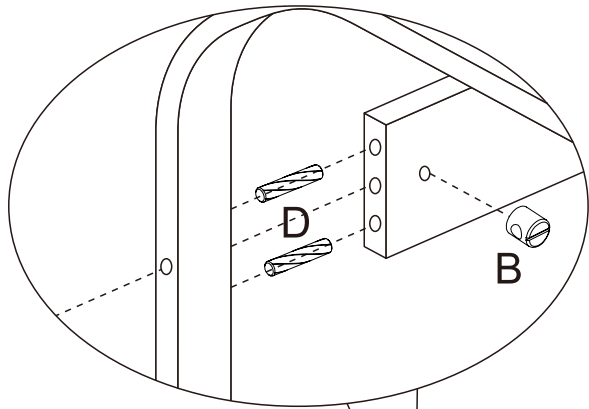


x2

2



3



4

