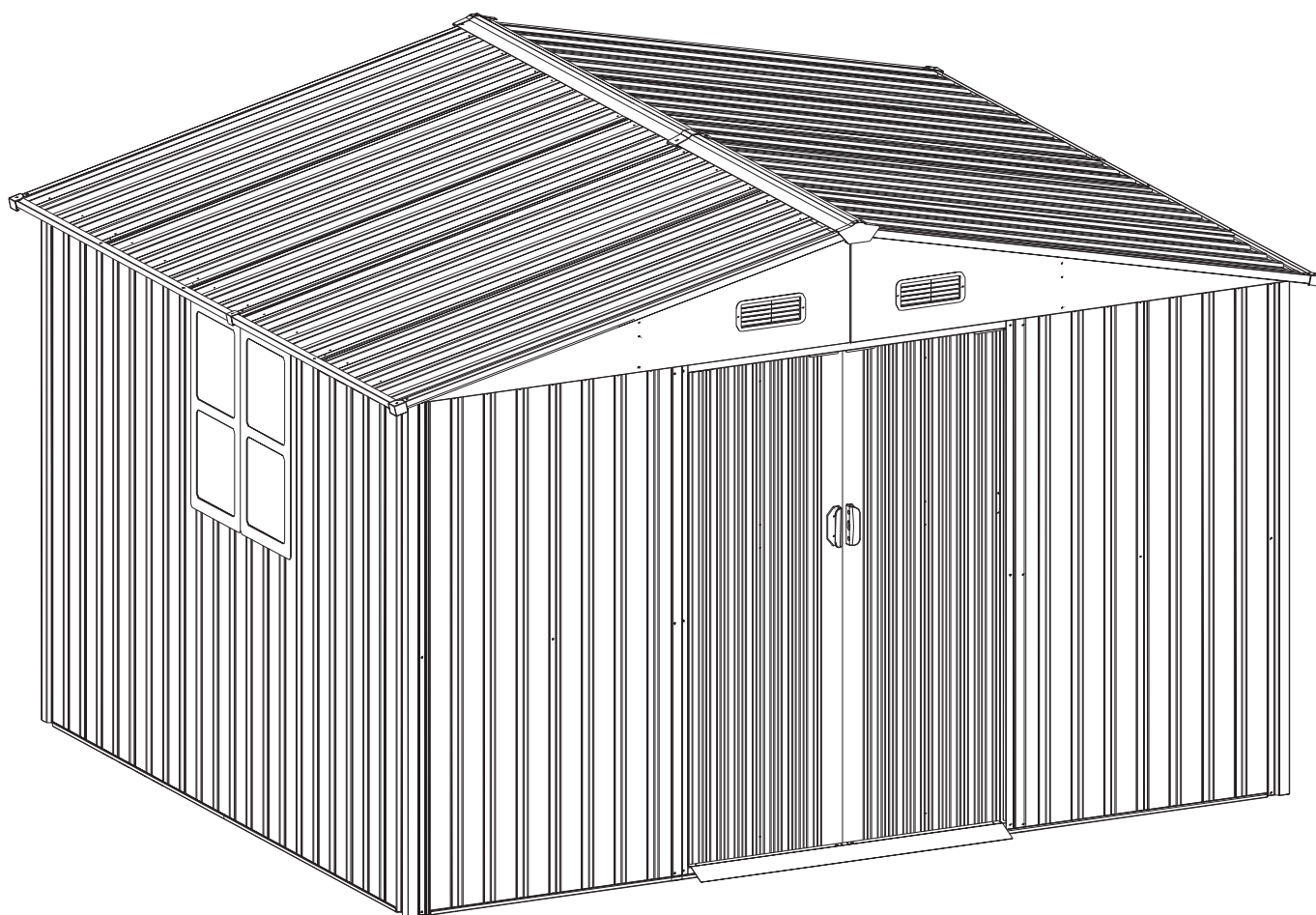


## STORAGE SHED INSTALLATION

---

If you have any questions about the storage shed, please feel free to contact us.

Customer Service Email: [Service@alaulm.com](mailto:Service@alaulm.com)



### 26-P033

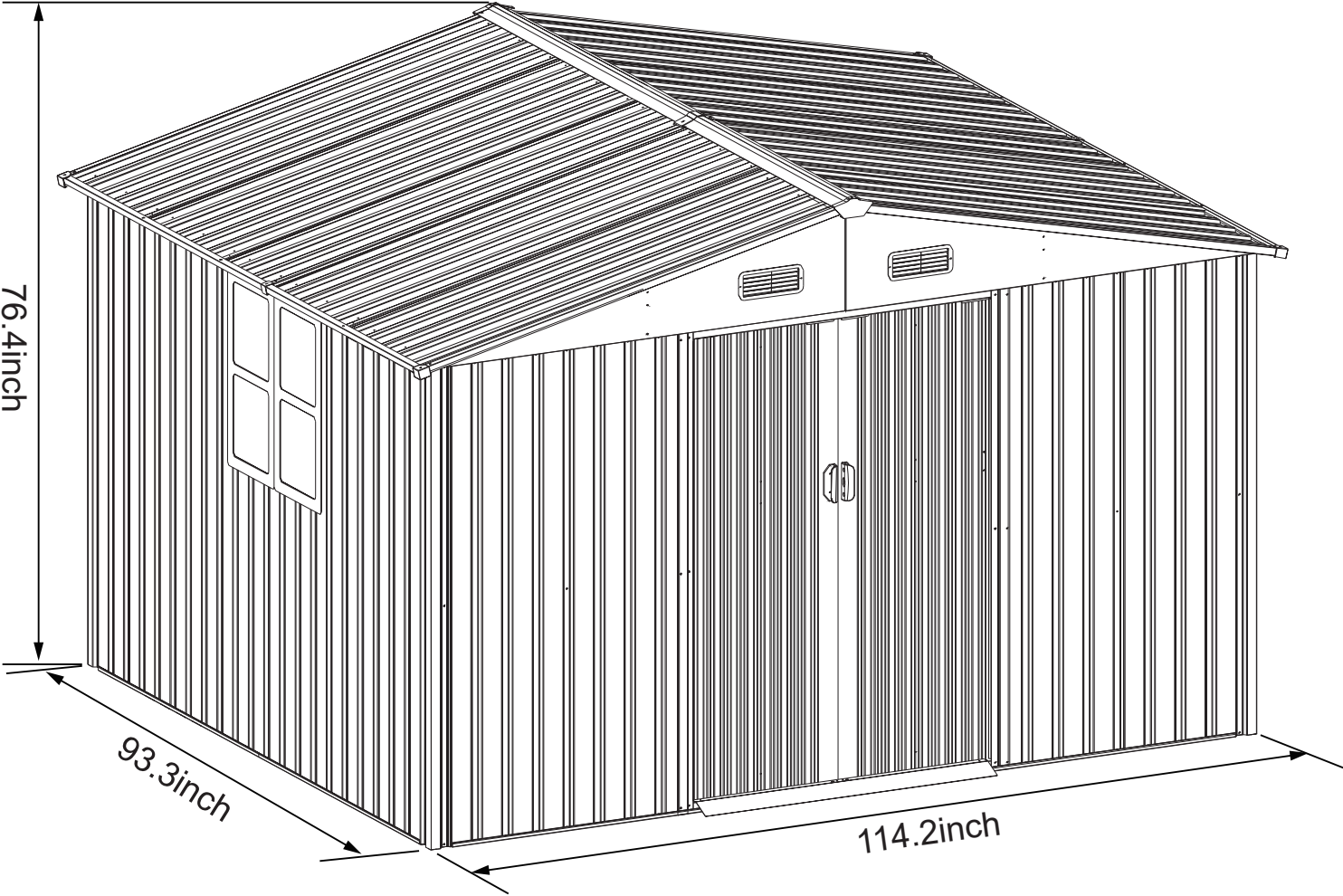
### IMPORTANT

PLEASE READ BEFORE YOU COMMENCE ASSEMBLY

Follow the guidelines in this user guide to ensure correct  
assembly and care for this product.



# SPECIFICATIONS



# Catalog

Specifications.....01

Note.....03

Warning .....03

Installation Notes.....04

Exploded Views.....05





Part List .....06

Extra .....09

How to Assemble Storage Shed .....10

# NOTICE

**Note:** Please prepare below tools before installation.

The following tools are not included and needed for assembly:		
		
Pistol Drill	Tape Measure	Ladder
Package included Tools		
		
Screw Driver	Gloves x2	

## Warning

We recommend two adults to complete the installation. Two adults installed together will make the installation process easier and safer.

The gloves must be carried to prevent hand cuts during installation.

Take care when using power tools near water the use of a residual current device (RCD) is advised.

Please use the electric driver carefully during screwing to prevent the screw from slipping and hurting your hand. (We recommend that beginners use a manual screwdriver for installation.)

Be careful not to fall when installing the roof. Please steady the ladder and make sure the product placed on a flat ground.

**PLEASE KEEP THIS INSTRUCTION FOR FUTURE REFERENCE.**

## Installation Notes

Please check the quantity of all parts before installation (Please refer to the Parts Lists) and the appearance of the products. Please make sure the product is correct before installation. If there is any problem, please contact us directly.

Make sure the colored panels are facing outwards and all the holes match. The panels are textured, please install the panels in the order specified in the instructions. All lines and holes must be accurately matched to make the storage shed more stable. Please ensure that all screws are tightened to prevent the product from falling apart.

There is a protective film on the surface to protect the product, please tear it off after installation to get the final presentation. If you do not damage the film during installation, it can also remain on the product to protect the product.

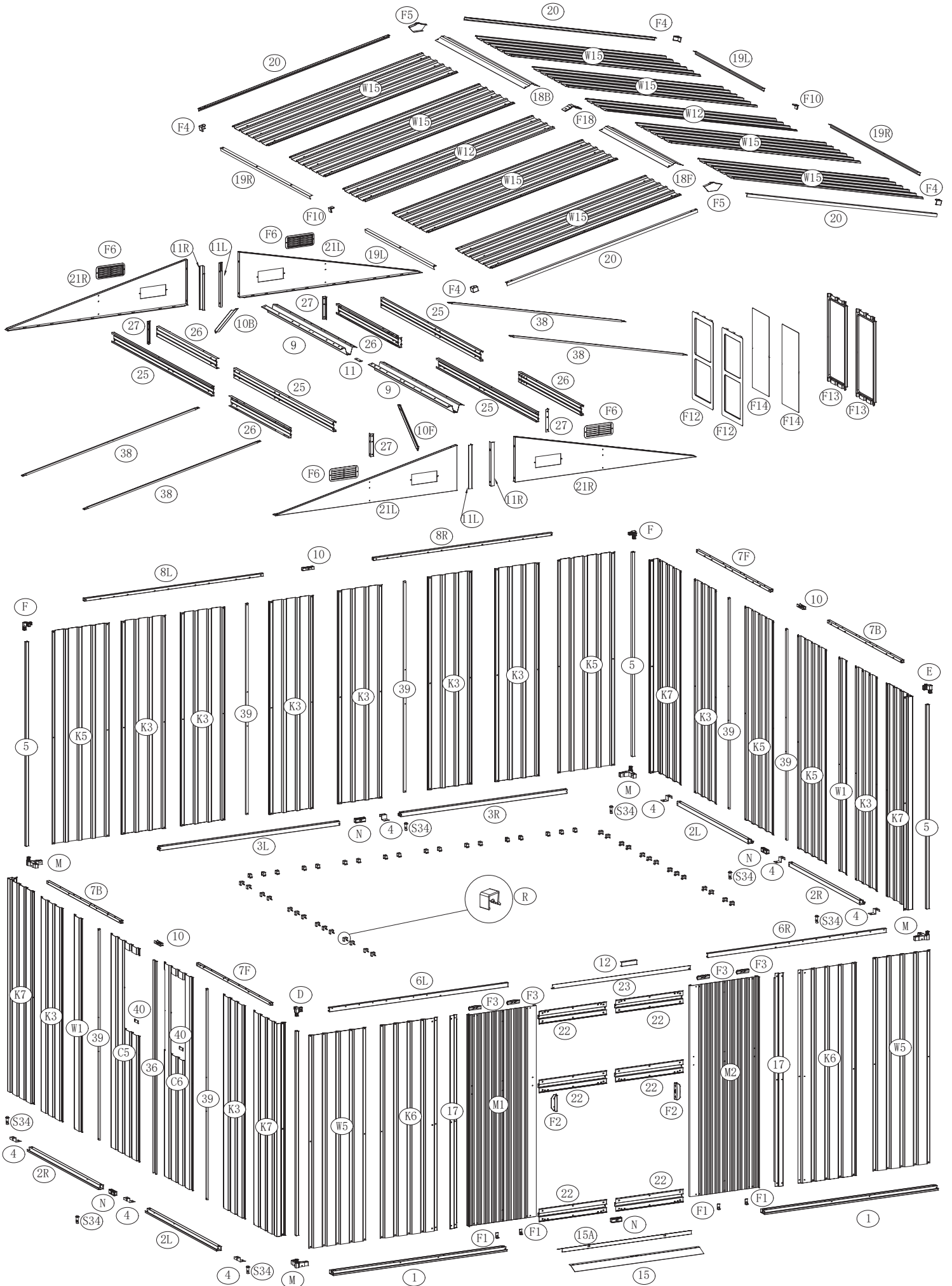
Please place the product on a flat ground to prevent leaning and collapse. If the ground is uneven, the door may can't be closed.

### **Attention:**






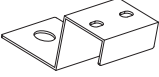








Please read this instruction carefully before installation and follow it strictly during installation.

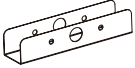


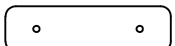

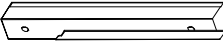
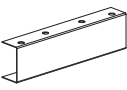







Ensure that there are no problems later due to installation errors.

# EXPLODED VIEWS


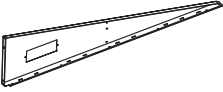
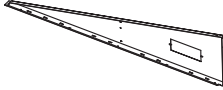
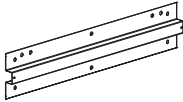
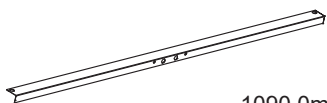
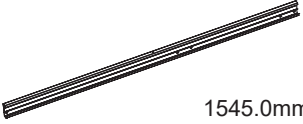

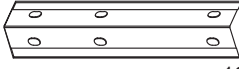



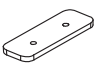
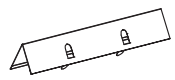











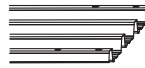
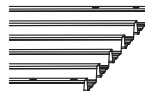
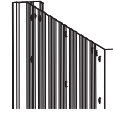

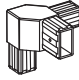
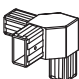
# PART LIST

NO	PART	Qty
1	 1368.5mm	2
2L	 1101.0mm	2
2R	 1101.0mm	2
3L	 1422.0mm	1
3R	 1315.0mm	1
4		7
5	 1495.0mm	4
6L	 1410.2mm	1
6R	 1410.2mm	1
7F	 1142.7mm	2
7B	 1142.7mm	2
8L	 1410.2mm	1
8R	 1410.2mm	1
9	 1226.0mm	2


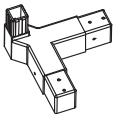


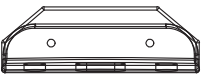
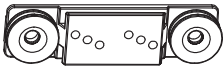

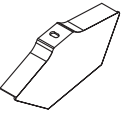
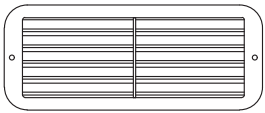

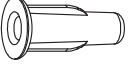

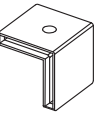
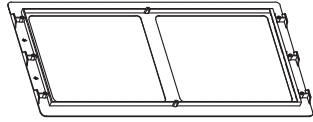
NO	PART	Qty
10	 90.0mm	3
10F	 405.0mm	1
10B	 405.0mm	1
11		1
11L	 320.0mm	2
11R	 320.0mm	2
12	 120mm	1
15	 1020.0mm	1
15A	 1020.0mm	1
17	 1560.0mm	2
18F	 1062.0mm	1
18B	 1380.0mm	1
19L	 1062.0mm	2
19R	 1380.0mm	2

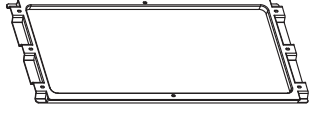
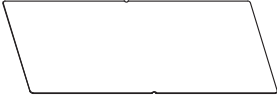
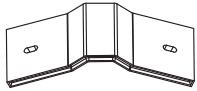

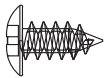
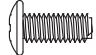

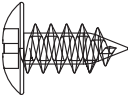

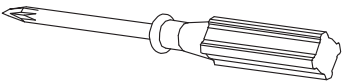
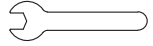
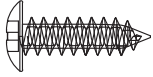
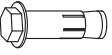
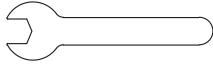
# PART LIST

NO	PART	Qty
20	 1543.0mm	4
21L		2
21R		2
22	 532.0mm	6
23	 1090.0mm	1
25	 1545.0mm	4
26	 927.0mm	4
27	 165.0mm	4
36	 1560.0mm	1
38	 1429.5mm	4
39	 1545.5mm	6
40		2
41	 360.0mm	1
42	 500.0mm	1

NO	PART	Qty
W1	 1560.0mm	2
K3	 1560.0mm	10
W5	 1560.0mm	2
K5	 1560.0mm	4
K6	 1560.0mm	2
K7	 1560.0mm	4
C5	 1560.0mm	1
C6	 1560.0mm	1
W12	 1535.0mm	2
W15	 1535.0mm	8
M1	 1545.0mm	1
M2	 1545.0mm	1
D		1
E		1


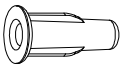
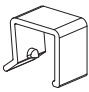
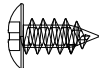
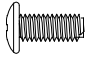


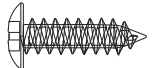
# PART LIST

NO	PART	Qty
F		2
M		4
N		4
F1		4
F2		2
F3		4
F4		4
F5		2
F6		4
F7		240
F8		52
F9		2
F10		2
F12		2

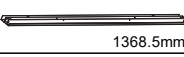


NO	PART	Qty
F13		2
F14		2
F18		1
R		46
S4		269
S6		115
S7		113
S8		22
S9		4
S12		1
S15		1
S33		12
S34	 M6X50mm	7
S35		1

# PART LIST

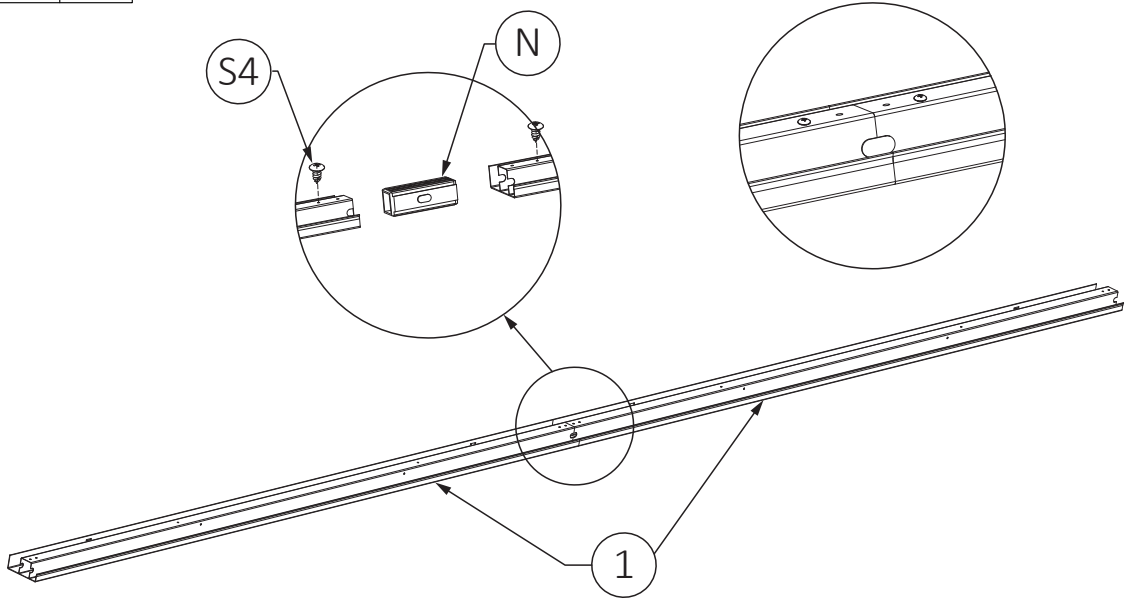
## Extra




NO	PART	Description	Qty
F7		Washer	15
F8		Screw protector	5
R		Plastic Snap	5
S4		Screw M4*10	15
S6		Bolt M4*10	6
S7		Hexagonal nuts M4	6
S8		Screw M5*16	2
S33		Screw M4*20	2

# Installation steps

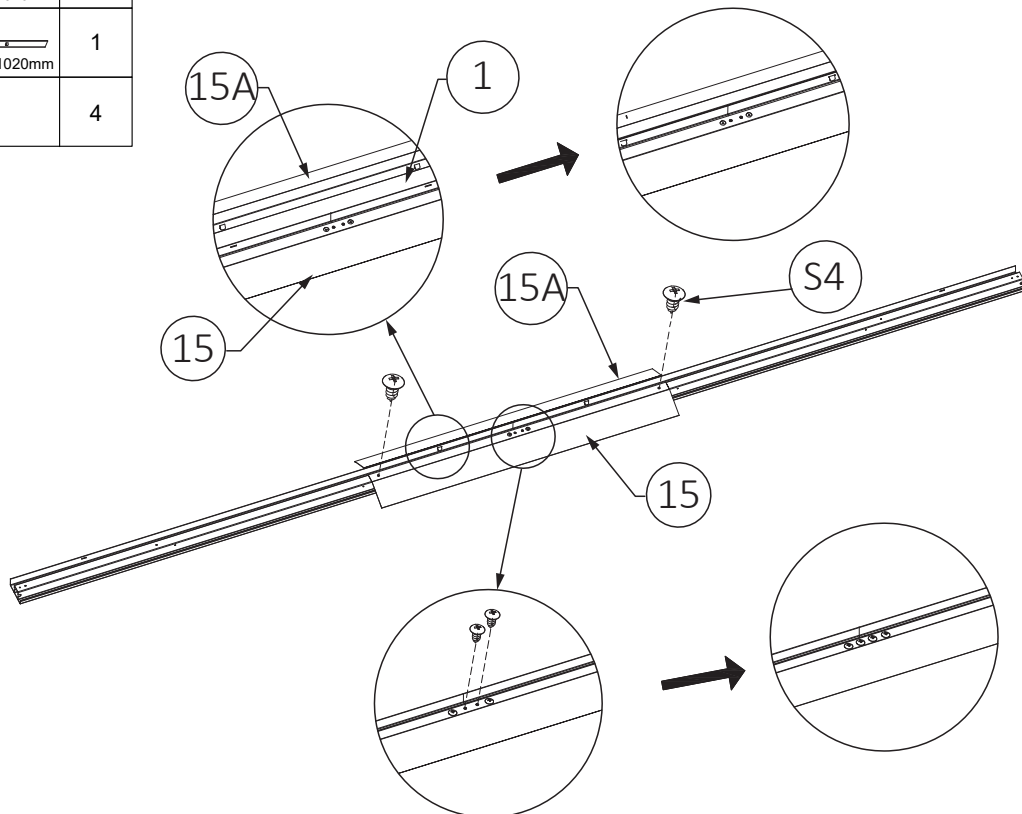
Step 1		
NO	PART	Qty
1	 1368.5mm	2
N		1
S4		2

**Step 1:** Connect two (1) with (N) and tighten with screws (S4).

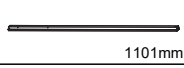






Step 2		
NO	PART	Qty
15	 1020mm	1
15A	 1020mm	1
S4		4

**Step 2:** Align (15A) with the outer holes of (1) and (15) with the inner holes of (1) and tighten using screws (S4).

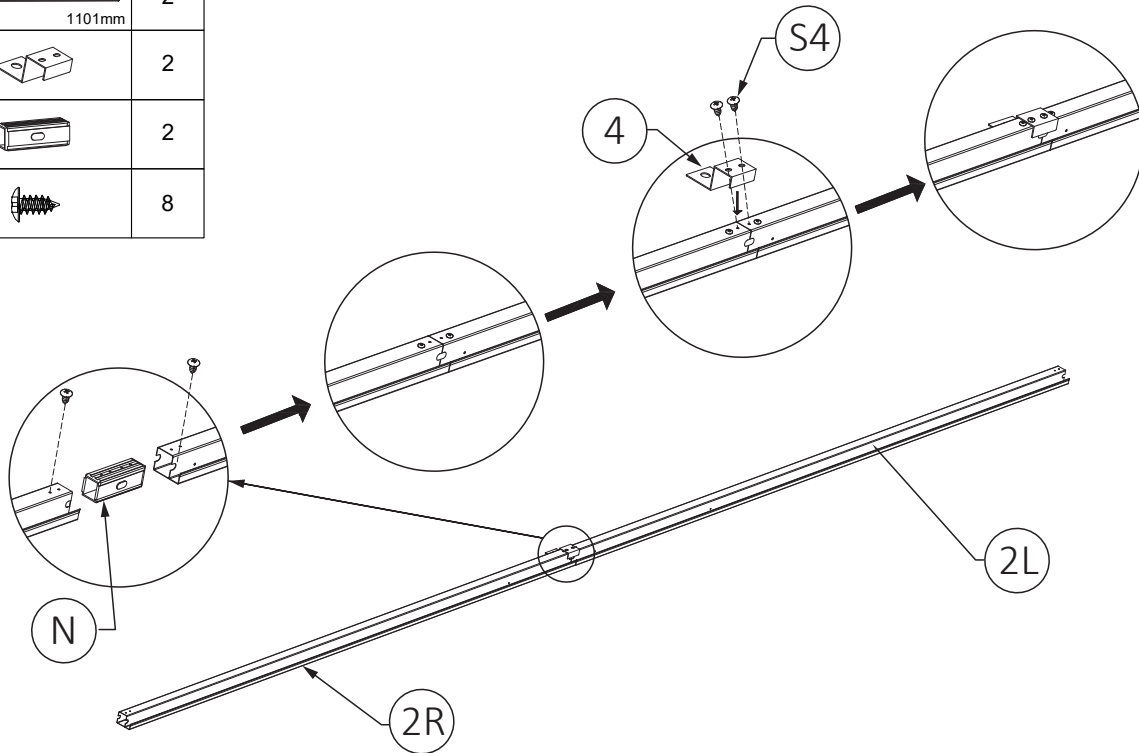


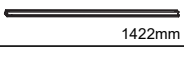
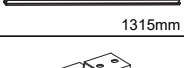
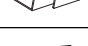


# Installation steps

Step 3		
NO	PART	Qty
2L	 1101mm	2
2R	 1101mm	2
4		2
N		2
S4		8

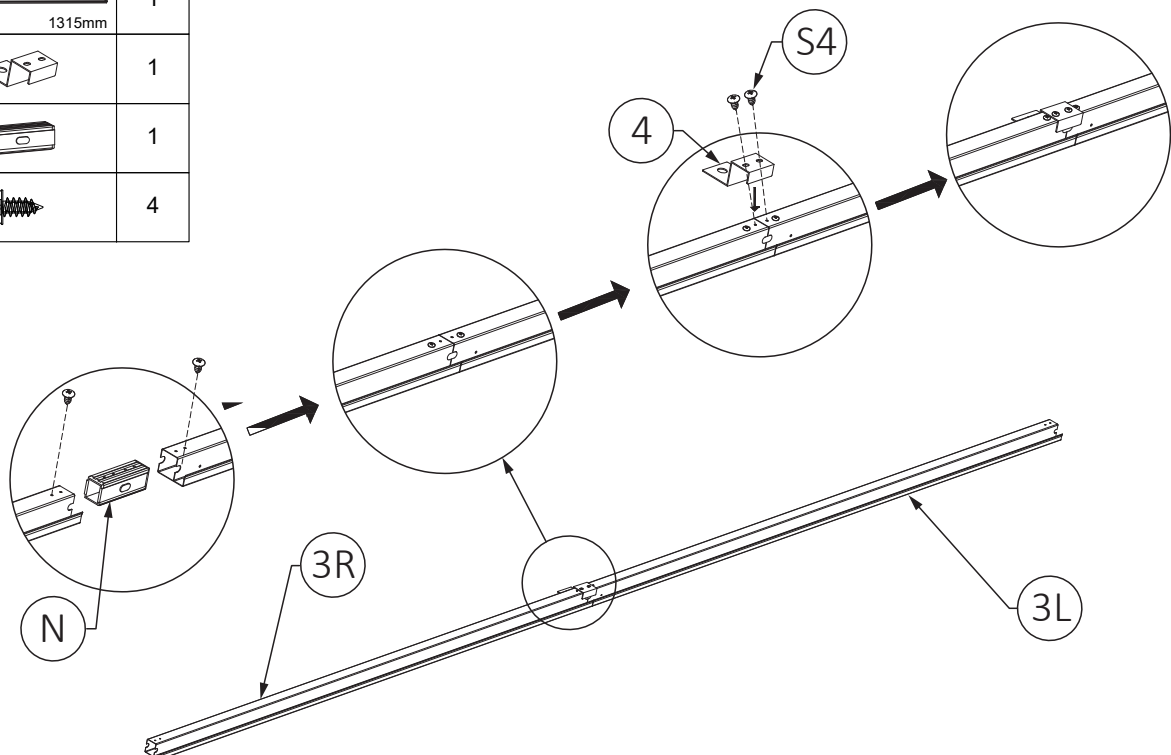
**Step 3:** Insert (N) into (2L) and (2R), align the holes, and use screws (S4) to tighten the ends of the holes, then use (4) to align the center holes, again using screws (S4) to tighten, this step requires two installations.

X2

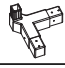




Step 4		
NO	PART	Qty
3L	 1422mm	1
3R	 1315mm	1
4		1
N		1
S4		4

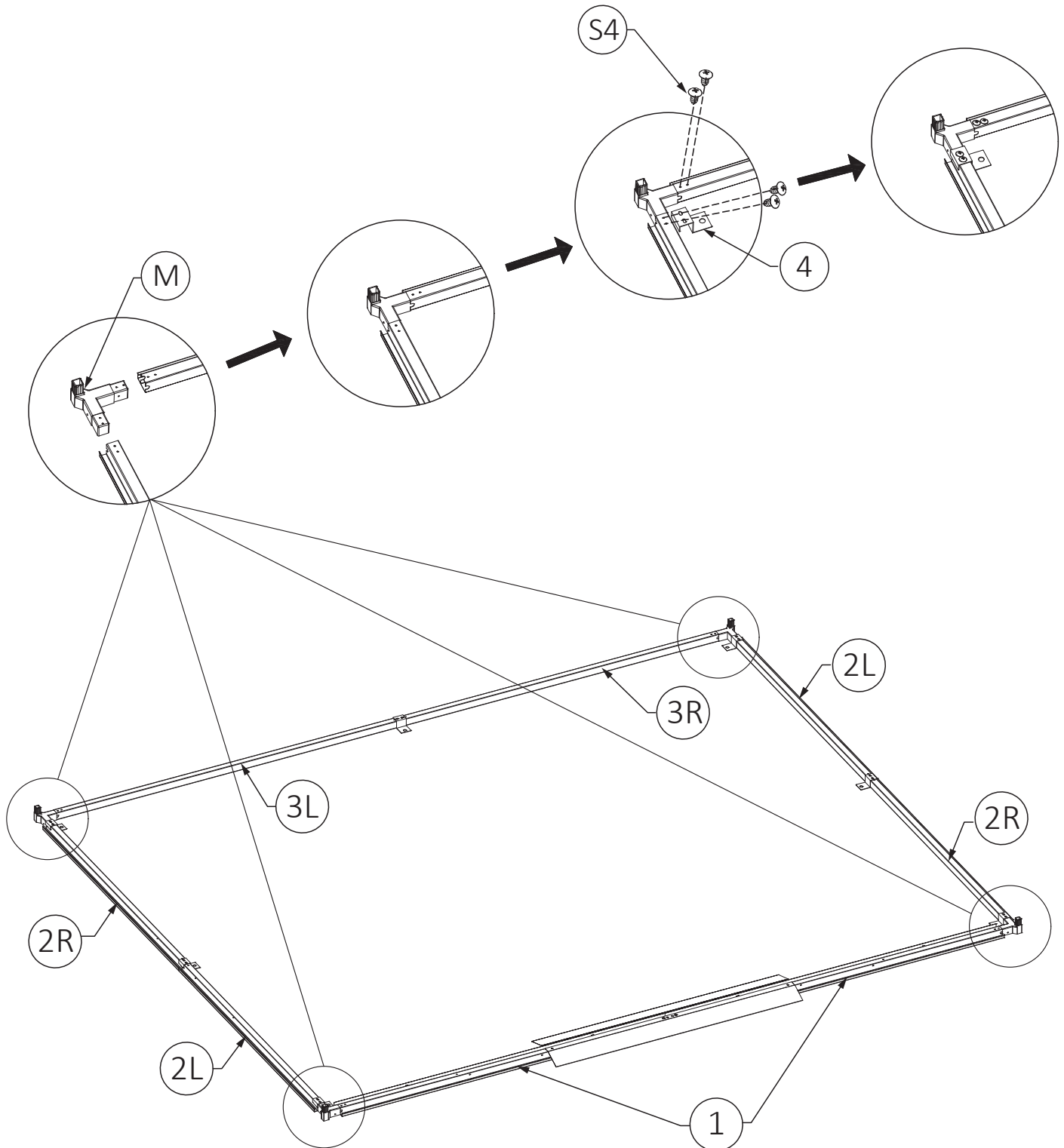
**Step 4:** Insert (N) into (3L) and (3R), align the holes, and use screws (S4) to tighten the ends of the holes, then use (4) to align the center holes, again using screws (S4) to tighten, this step requires two installations.



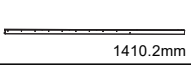
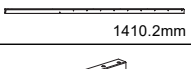
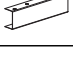


# Installation steps

Step 5		
NO	PART	Qty
M		4
4		4
S4		16

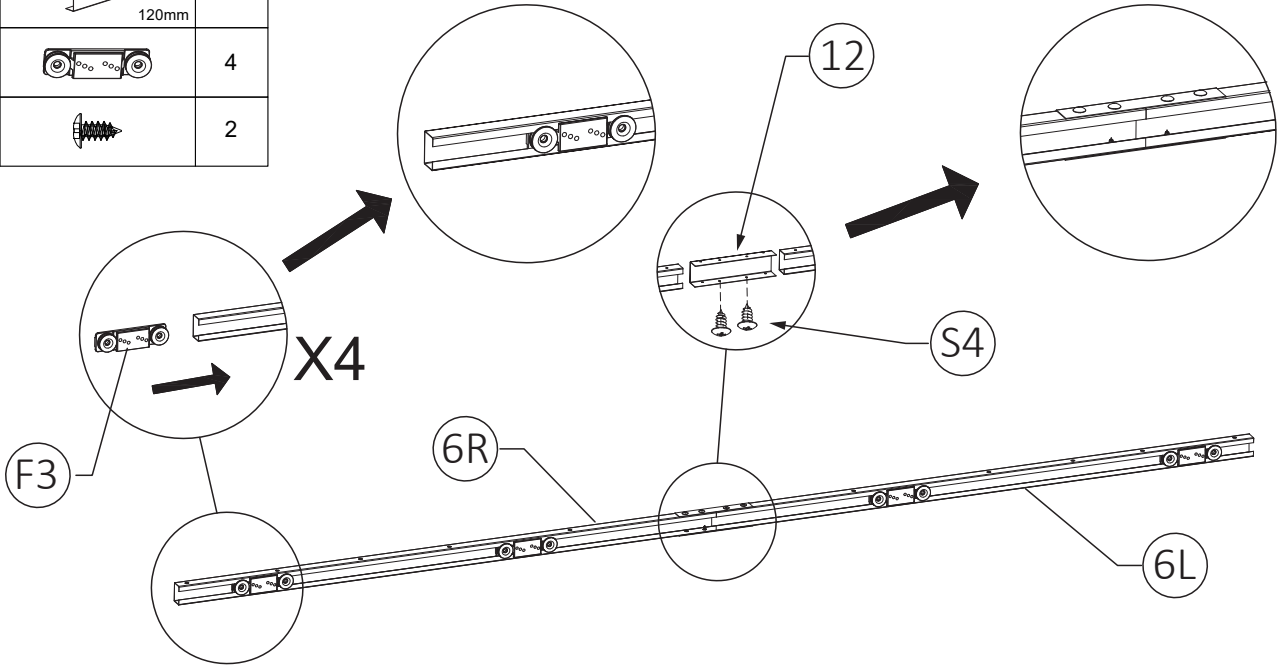
**Step 5:**As shown in the figure, the installed base frame combination rods are placed in order and connected with plastic sheets (M). Then, at the two ends of the combination rod (2L) (2R), snap the parts (4) separately with one side with a single hole facing inward, align the holes, and fix them with all the screws (S4).

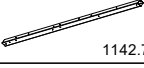

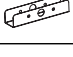



# Installation steps

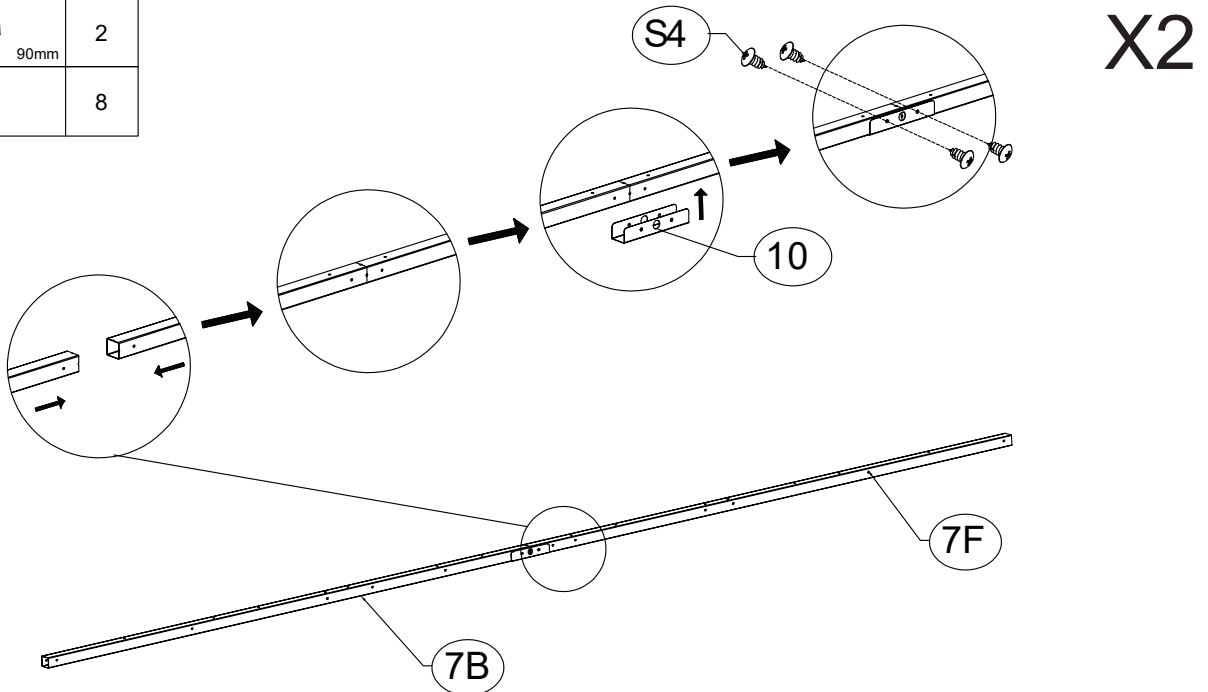
Step 6		
NO	PART	Qty
6L	 1410.2mm	1
6R	 1410.2mm	1
12	 120mm	1
F3		4
S4		2

**Step 6:**As shown, observe (6L) and (6R) with the side of the pilot hole facing up, align the upper side of (6L) and (6R), snap into the (12) on the outside, align the hole position, and tighten the two screws (S4) from the bottom, and then slide (F3) into the track.

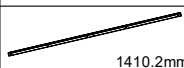
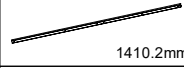
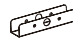



Step 7		
NO	PART	Qty
7F	 1142.7mm	2
7B	 1142.7mm	2
10	 90mm	2
S4		8

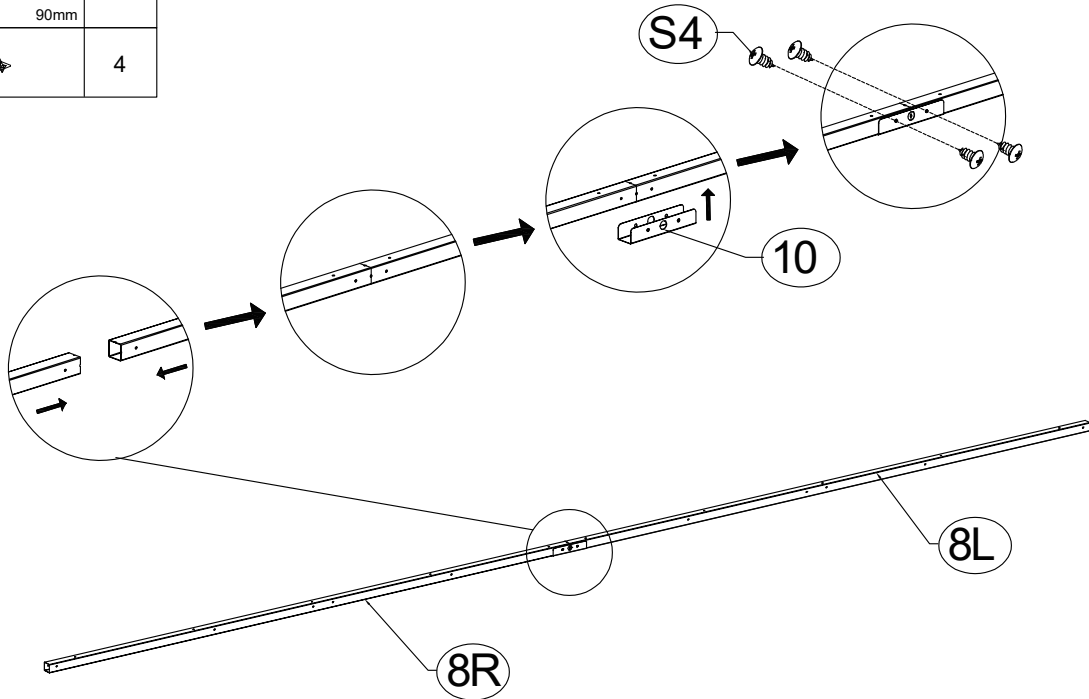
**Step 7:**As shown in the figure, observe (7B) and (7F), one side with many small holes is facing upward, use (10) to set on the outside of the combination rod (7F,7B), align the hole position, and use screws (S4) to tighten.




# Installation steps

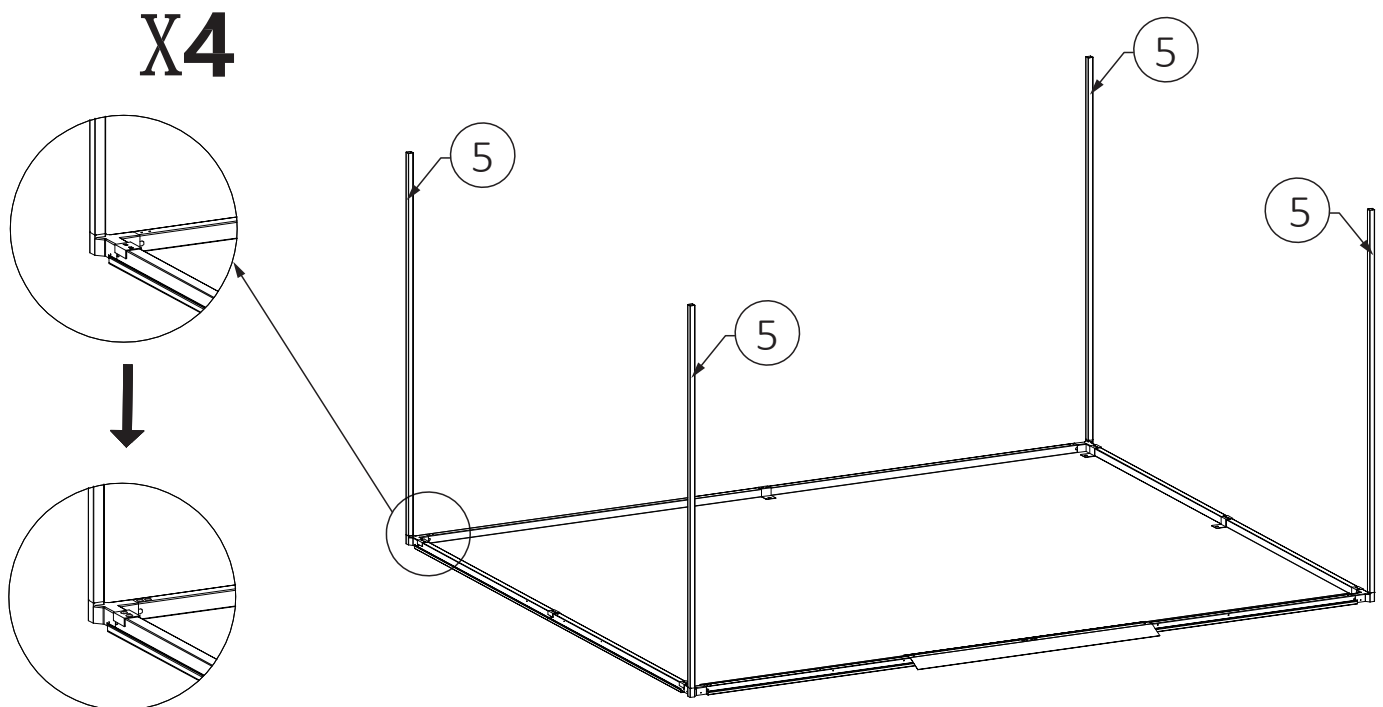
Step 8		
NO	PART	Qty
8L	 1410.2mm	1
8R	 1410.2mm	1
10	 90mm	1
S4		4

**Step 8:**As shown in the figure, observe (8R) and (8L), one side with many small holes is facing upward, use (10) to set on the outside of the combination rod (8L)(8R), align the hole position, and use screws (S4) to tighten.

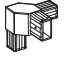





Step 9		
NO	PART	Qty
5	 1495mm	4

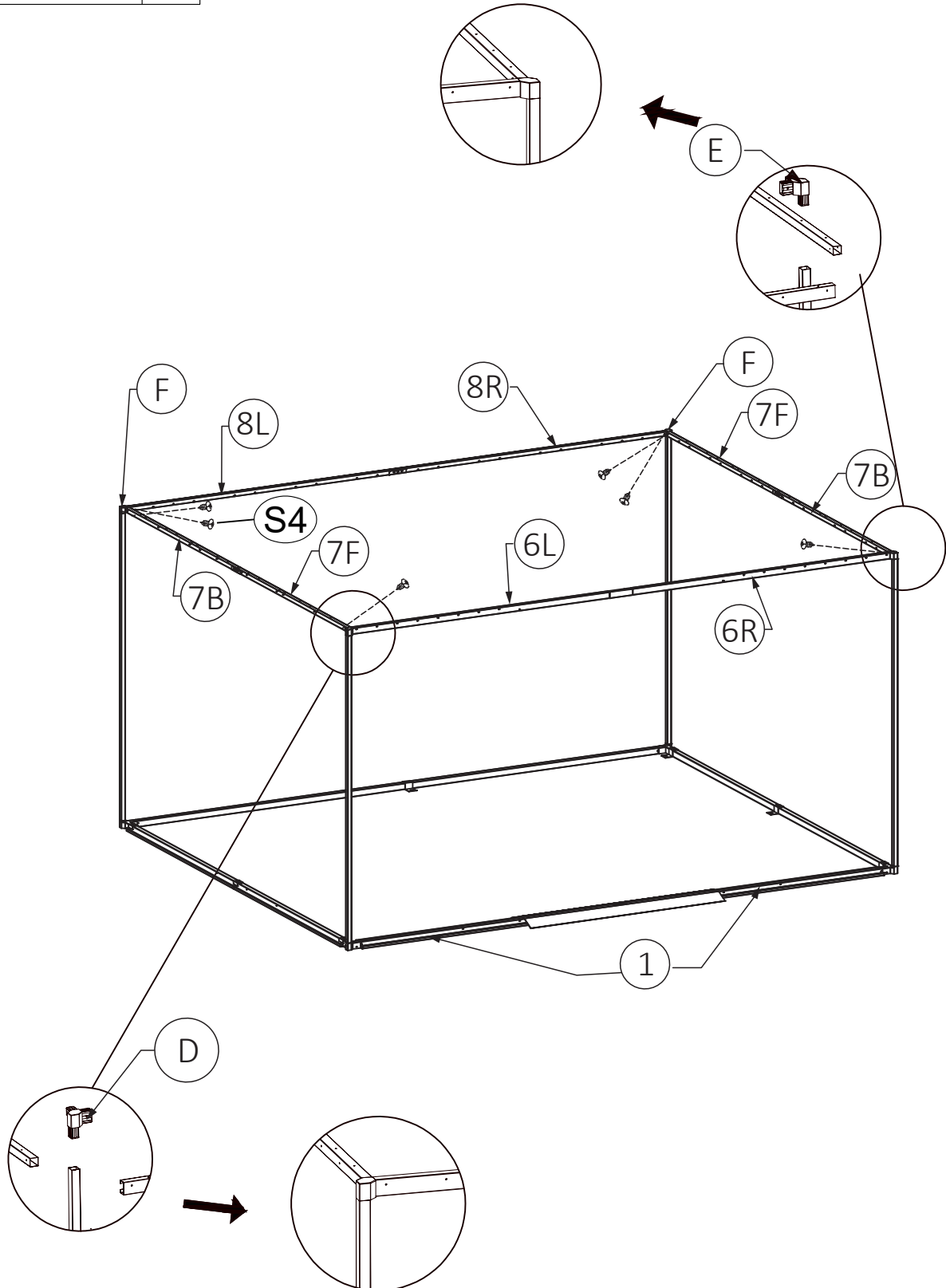
**Step 9:**Insert four (5) into the vertical extension of the plastic piece (M).





# Installation steps

Step 10		
NO	PART	Qty
D		1
E		1
F		2
S4		6

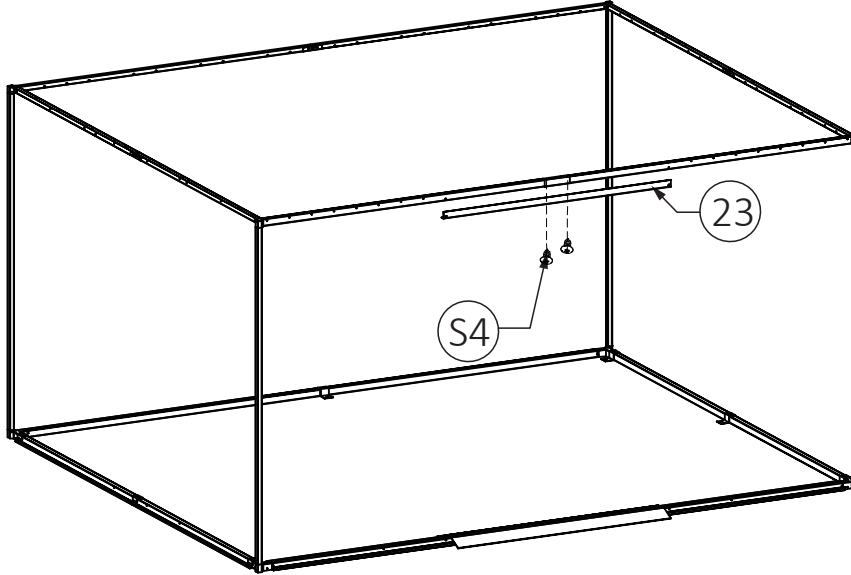
**Step 10:**As shown in the figure, the plastic parts are first inserted in the corresponding column (5) according to the legend order. The newly installed top frame combination rod is visited and installed in the order of the legend, and the combination rod (8) and (7) are connected with plastic parts (F); (6R) is connected with (7B) using plastic parts (E); (6L) and (7F) are connected using plastic parts (D).


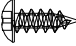


# Installation steps

Step 11		
NO	PART	Qty
23	 1090mm	1
S4		2

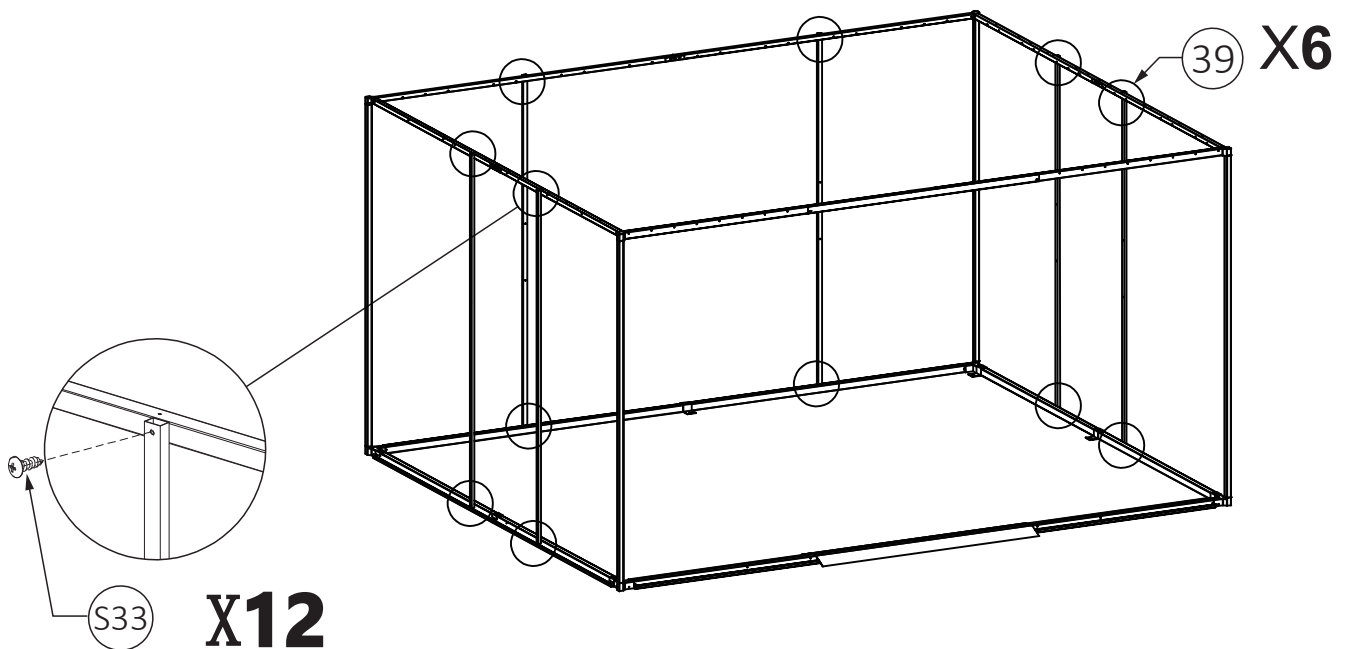
**Step 11:** The L-shaped rod (23) is mounted on the middle lower side of (6L) and (6R) using screws (S4).





Step 12		
NO	PART	Qty
39	 1545.5mm	6
S33		12

**Step 12:** As shown in the figure, install (39) to the illustrated place and tighten it using screws (S33).

**Note:** It is recommended to align the holes corresponding to the lower bottom frame first, then verticalize (39), and then align the holes in the upper frame.

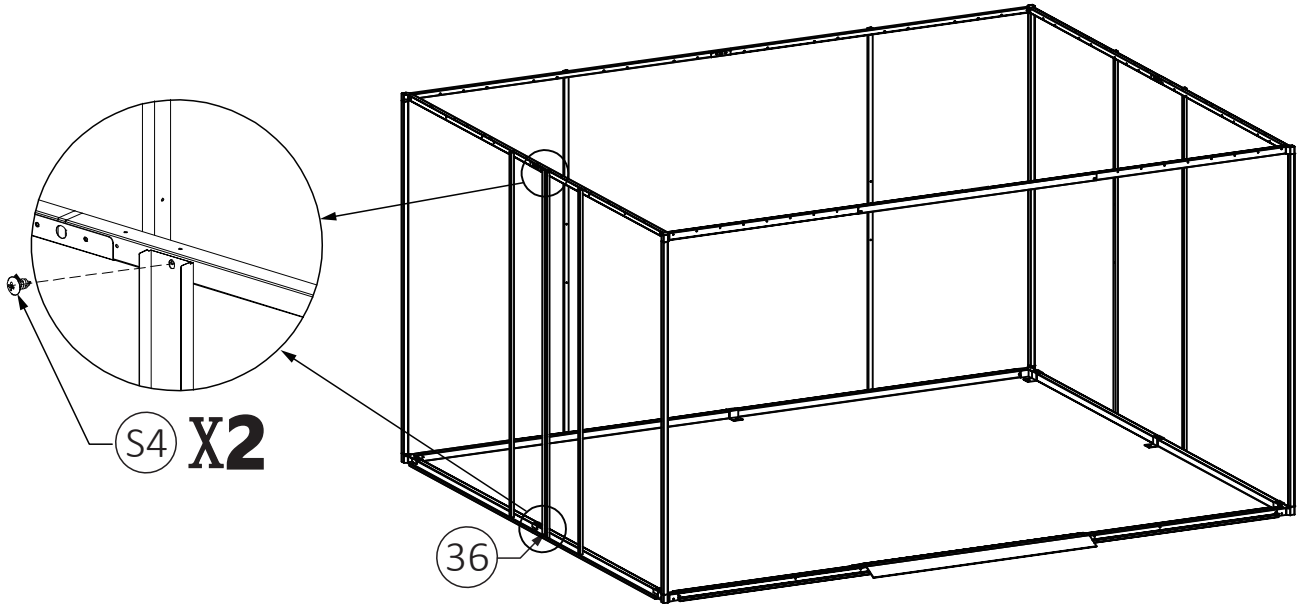



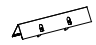


# Installation steps

Step 13		
NO	PART	Qty
36	 1560mm	1
S4		2

**Step 13:**As shown in the figure, install (36) to the illustrated place and tighten it using screws (S4).

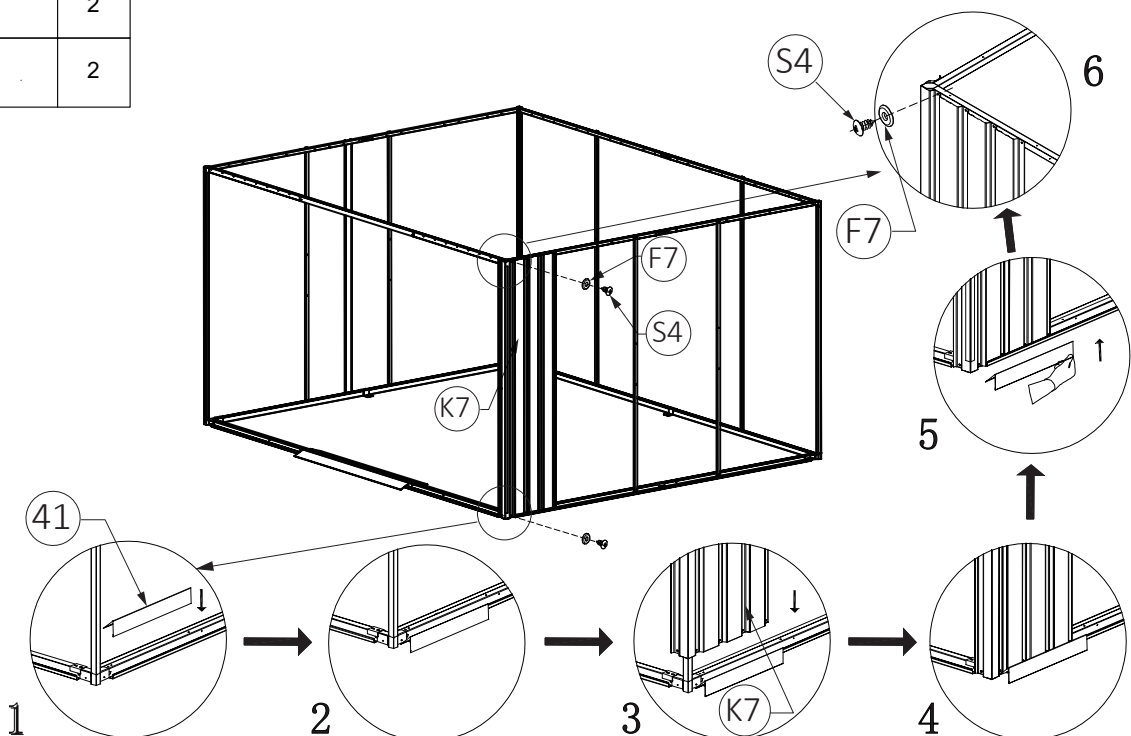
**Note:** It is recommended to align the corresponding holes in the lower bottom frame first, then verticalize (36), and then align the holes in the upper frame.



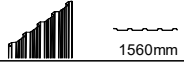




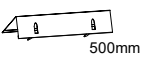
Step 14		
NO	PART	Qty
K7	 1560mm	1
41	 360mm	1
S4		2
F7		2

**Step 14:**Install the side part (K7) on the right side of the frame, use an auxiliary tool (41) to snap the side part (K7) into the groove of the lower frame, and then use the screw (S4) and the gasket (F7) to install the hole on the outermost side of the long side of the side part to attach to the plastic part.

**Note:** (K7) is the corner side part, please pay attention to the short film facing forward when installing, and the front is the side equipped with the slope (15).

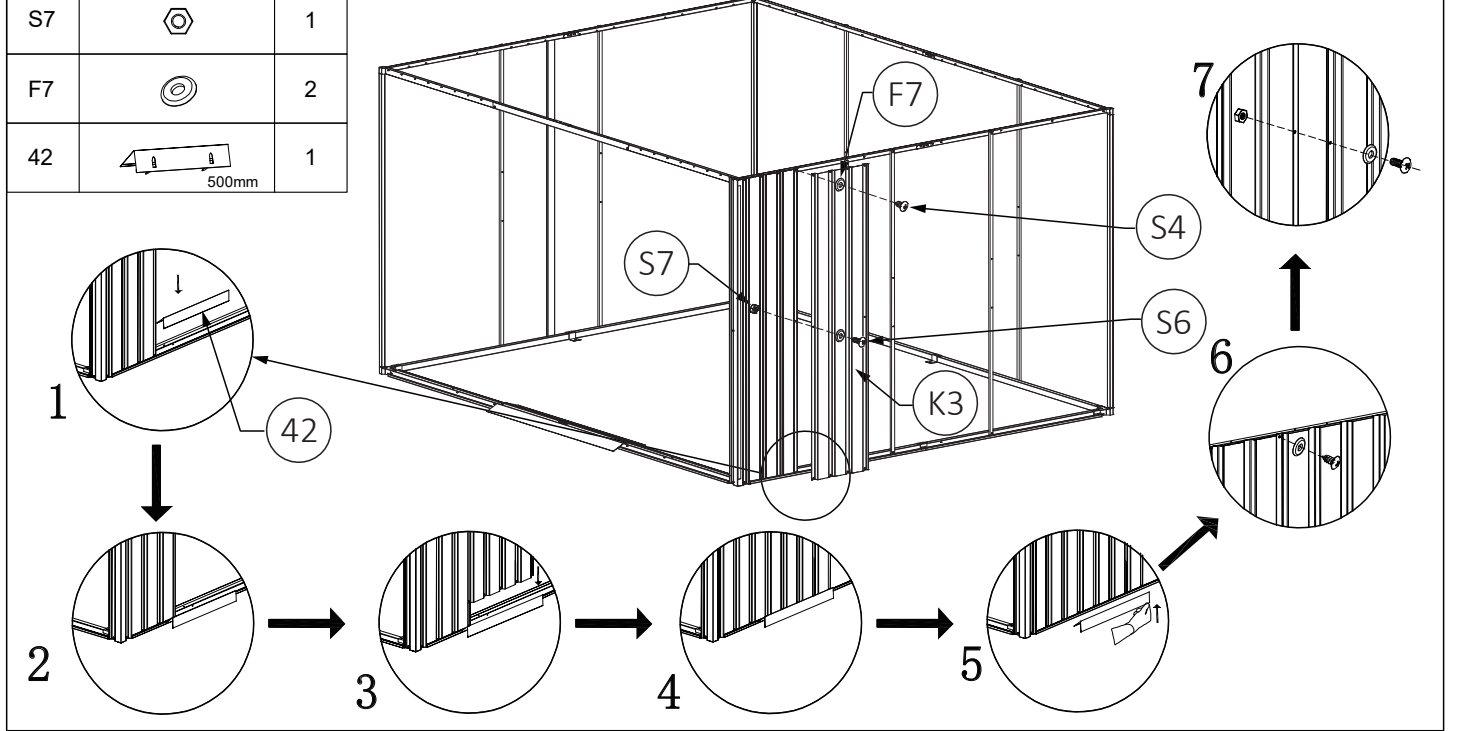



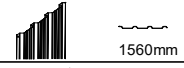
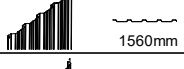
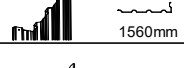




# Installation steps

Step 15		
NO	PART	Qty
K3	 1560mm	1
S4		1
S6		1
S7		1
F7		2
42	 500mm	1

**Step 15:** Install the side plate (K3) on the right side of (K7), also use an auxiliary tool (42), first snap the side plate into the bottom frame groove, then overlap and assemble (K3) and (K7) edges, then align the hole position above the overlapping place, tighten it with a screw (S4) and a gasket (F7), and then use a screw (S6) gasket (F7) and a nut (S7) to install to the middle hole position of the overlapping place.

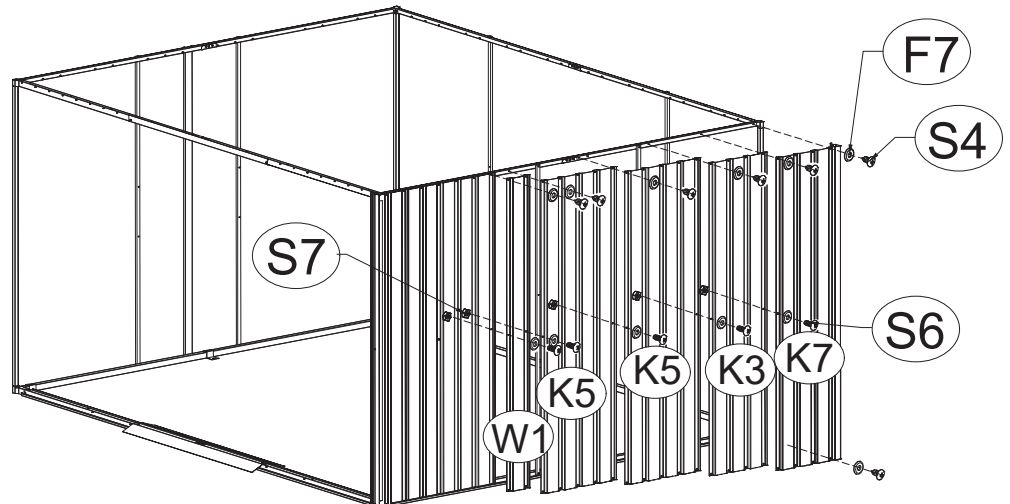
**Note:** The auxiliary tool can be reused, and when installing the nut, the nut should be on the inside of the tool room.




Step 16		
NO	PART	Qty
W1	 1560mm	1
K3	 1560mm	1
K5	 1560mm	2
K7	 1560mm	1
S4		7
S6		5
S7		5
F7		12

**Step 16:** To the right of the installed (K3), use the same steps as above to install (W1), (K5), (K5), (K3), (K7) and tighten the screws.

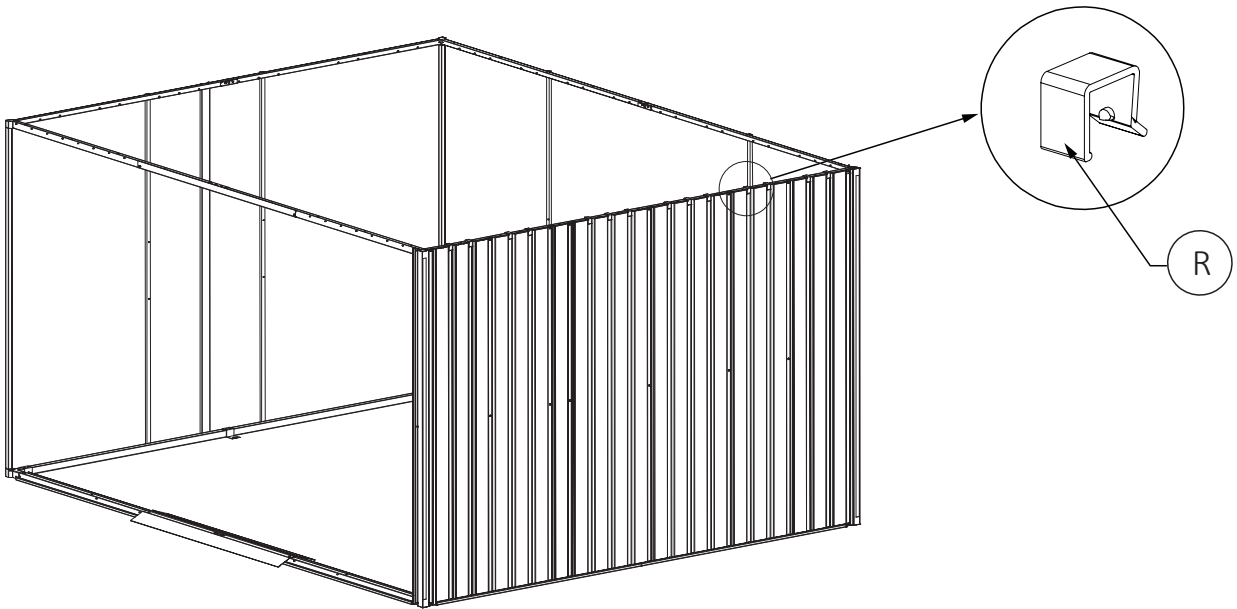
**Note:** (K7) is the corner side, please note that the long film side is mounted on the right side of (K3).









# Installation steps

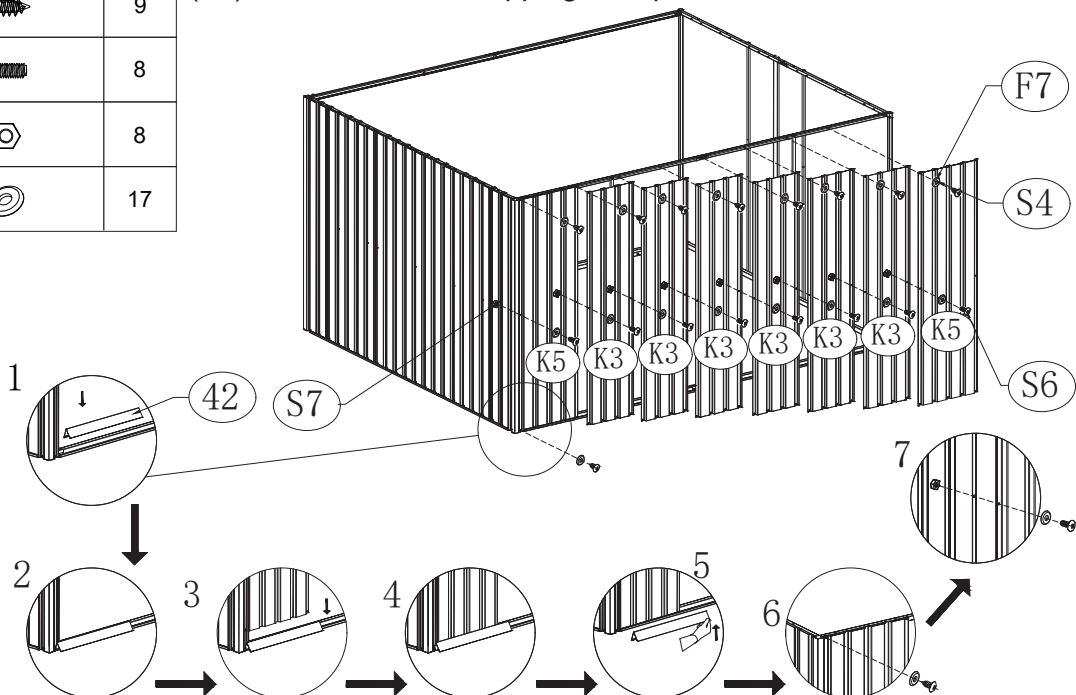
Step 17		
NO	PART	Qty
R		14

**Step 17:** Clamp the buckle (R) on the recessed surface of the side panel, and there is a bulge on the inside of the card slot, snap it into the inside of the top frame, and then fasten the (R) on the outside of the top frame and the side plate.












Step 18		
NO	PART	Qty
K3	 1560mm	6
K5	 1560mm	2
S4		9
S6		8
S7		8
F7		17

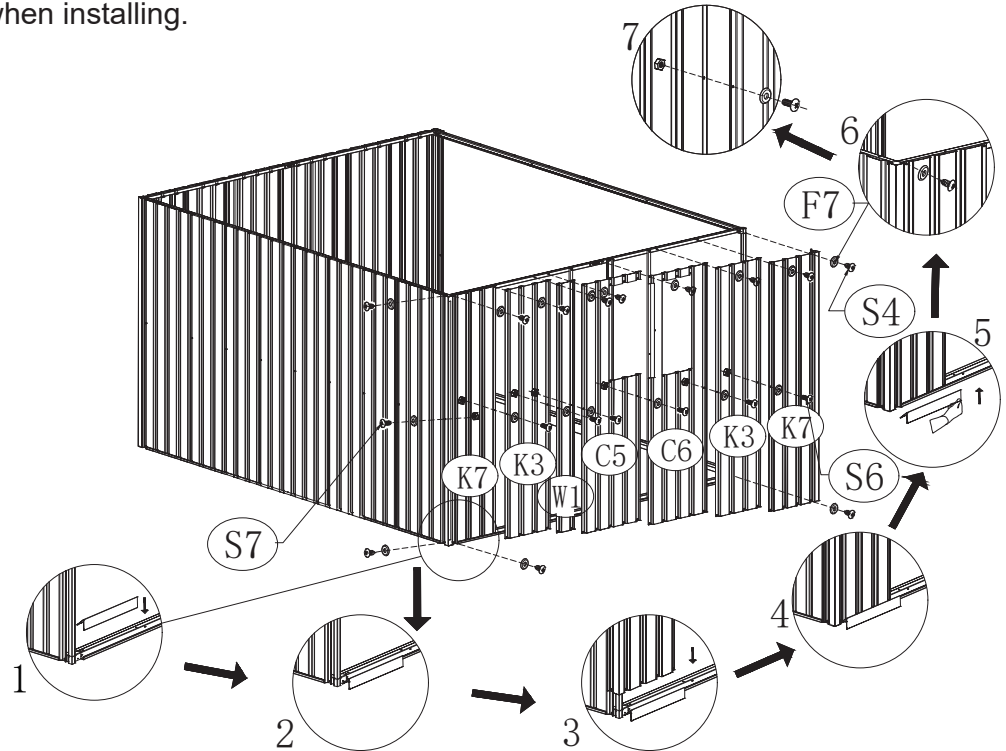
**Step 18 :** Install the side tile behind the tool room, snap into the bottom frame groove in turn according to the legend order, the outermost two pieces are (K5), and the remaining middle is (K3), use (S4) and gasket (F7) to tighten the outermost side of (K5) and the plastic part close to the place, and then use (S4) and (F7) to install the overlapping hole position above the side tile, (S6), (S7), (F7) to install the overlapping hole position in the middle of the side tile.




# Installation steps

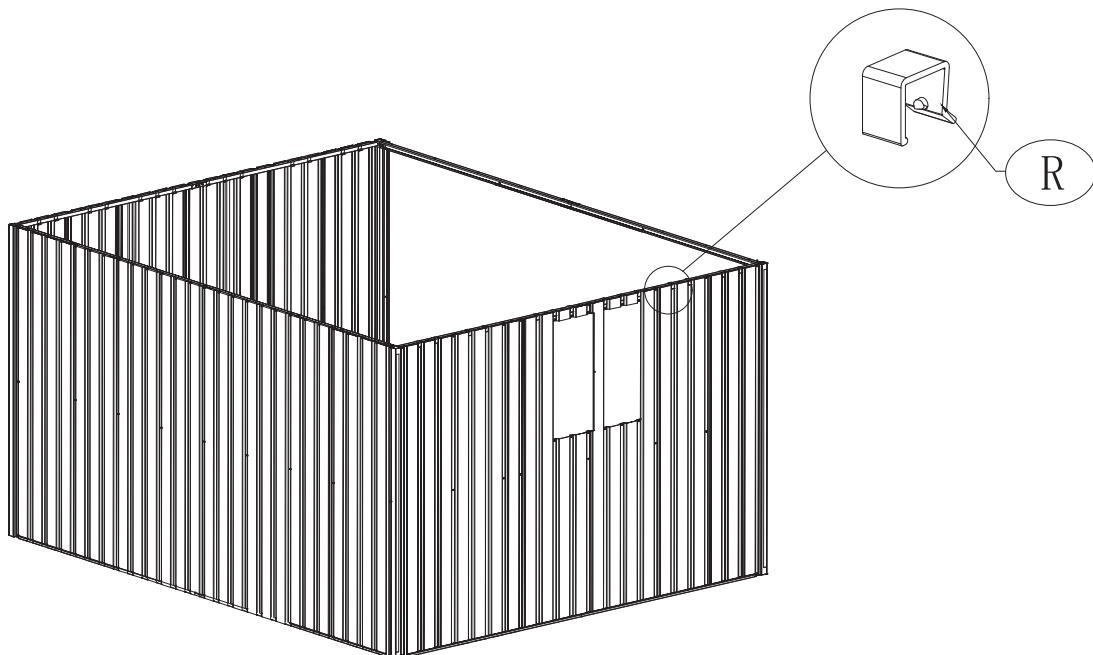
Step 19		
NO	PART	Qty
W1	 1500mm	1
K3	 1500mm	2
K7	 1500mm	2
C5	 1500mm	1
C6	 1500mm	1
S4		12
S6		7
S7		7
F7		19

**Step 19:** On the opposite side of the installed side tile, install the side pads (K7), (K3), (W1), (C5), (C6), (K3), (K7) from left to right, using screws (S4) and gaskets (F7) to tighten at the overlap above each two tiles, and then using screws (S6) and gaskets (F7) and nuts (S7) to tighten the overlap in the middle of the tiles.  
**NOTE:** (K7) For the corner side, please note that the video is facing backwards when installing.

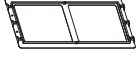

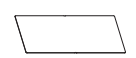



Step 20		
NO	PART	Qty
R		14

**Step 20:** Clamp the buckle (R) on the recessed surface of the side panel, and there is a bulge on the inside of the card slot, snap it into the inside of the top frame, and then fasten the (R) on the outside of the top frame and the side plate.

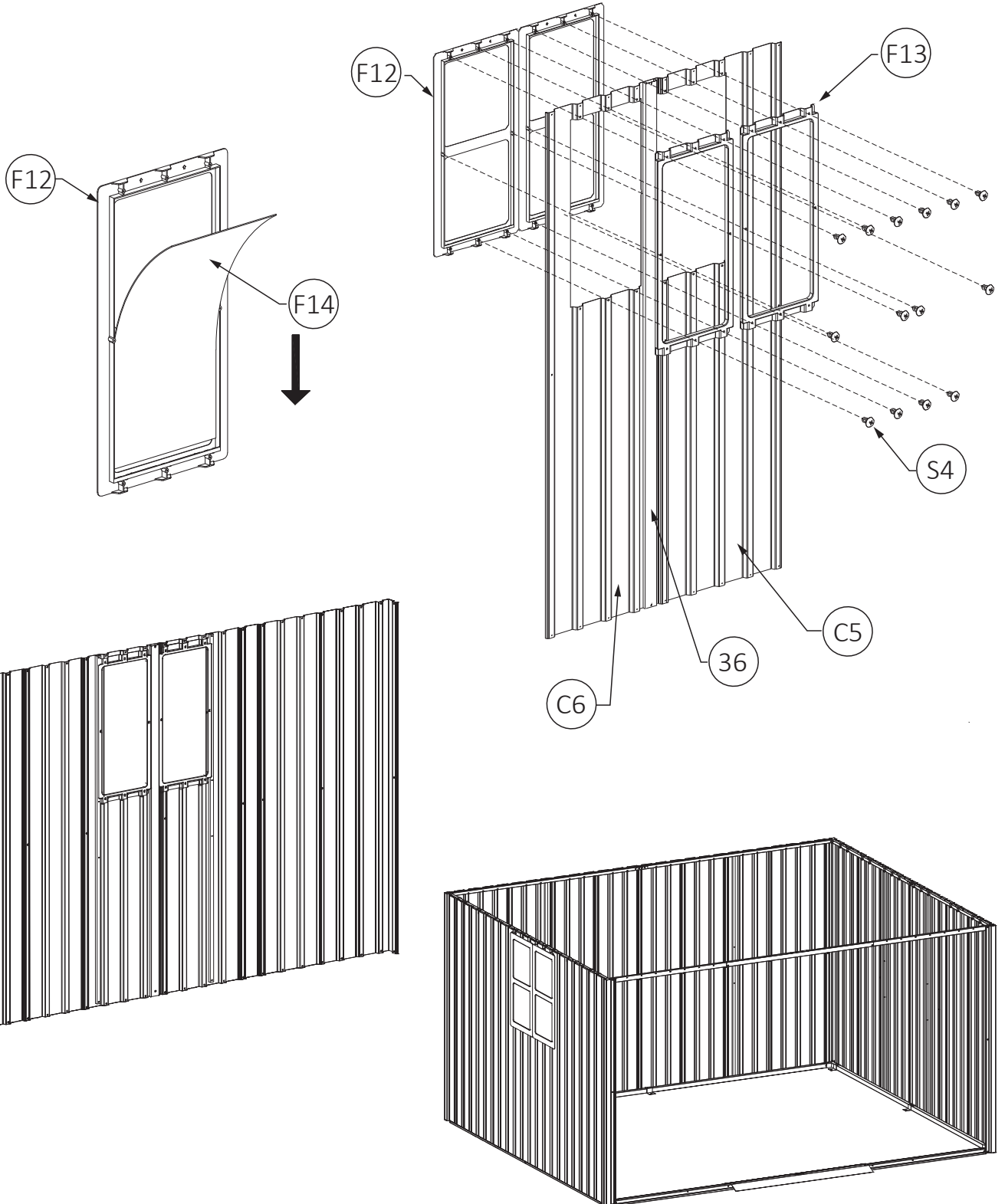


# Installation steps




Step 21		
NO	PART	Qty
F12		2
F13		2
F14		2
S4		14

**Step 21:** Peel off the film on the surface of the transparent plate (F14), insert (F12), snap in (F12) from the outside of (C5) (C6), snap in (F13) from the inside and align the hole bits, and tighten with screws (S4).

**Note:** It is best to have two people go through this process together, one facing on the outside (F12) and the other on the inside (F13) and tightening the screws. The outermost two holes at the bottom are not fitted with screws.

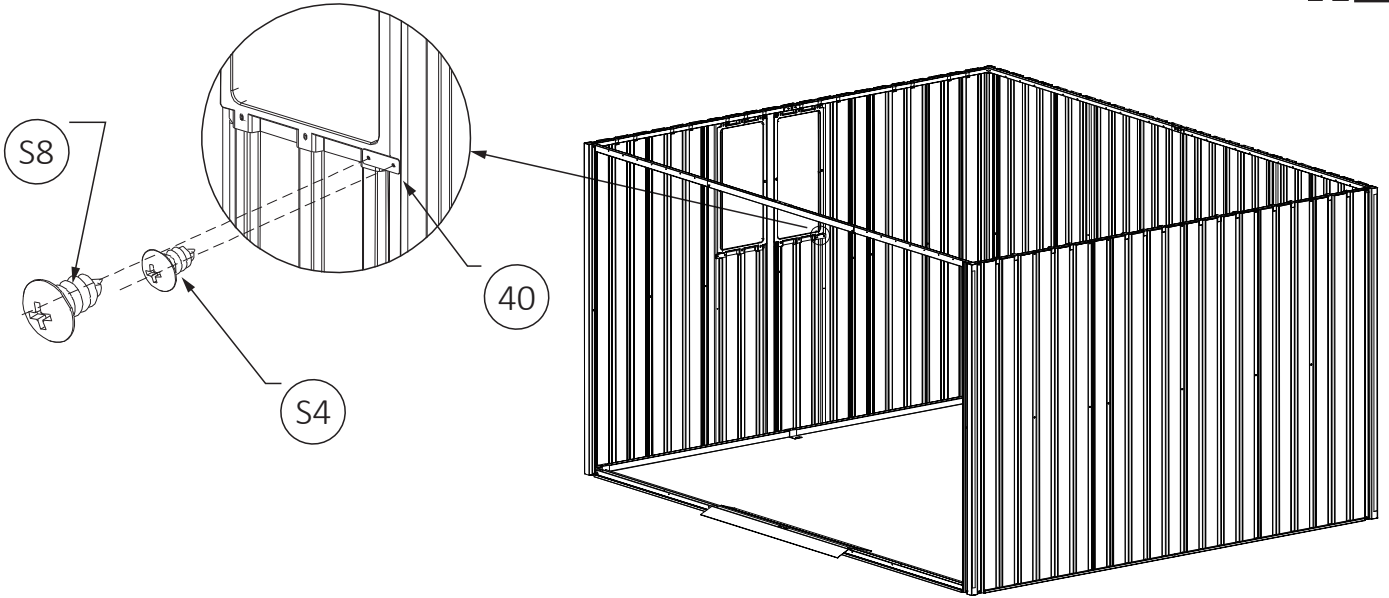







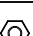

# Installation steps

Step 22		
NO	PART	Qty
40		2
S4		2
S8		2

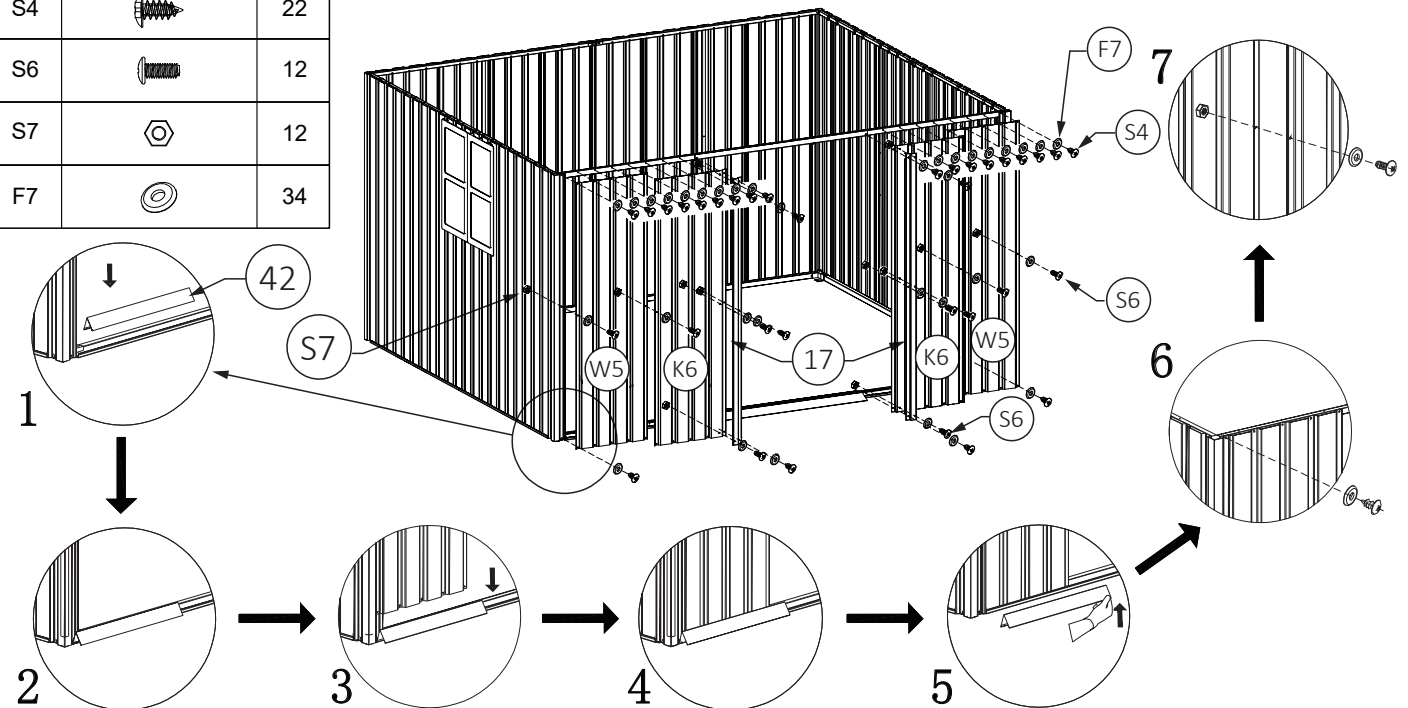
**Step 22:** Use (40) to mount underneath both sides of the window, aligning the holes as shown, with one hole in (40) aligned with the window and tightened using screws (S8), and the other hole aligned with the hole in the (39) rod and tightened using screws (S4). The bottom of the window on each side needs to be fitted (40). This process requires 2 repeated installations.

**X2**



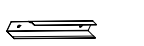

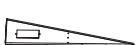
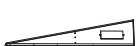


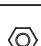


Step 23		
NO	PART	Qty
W5		2
K6		2
17		2
S4		22
S6		12
S7		12
F7		34

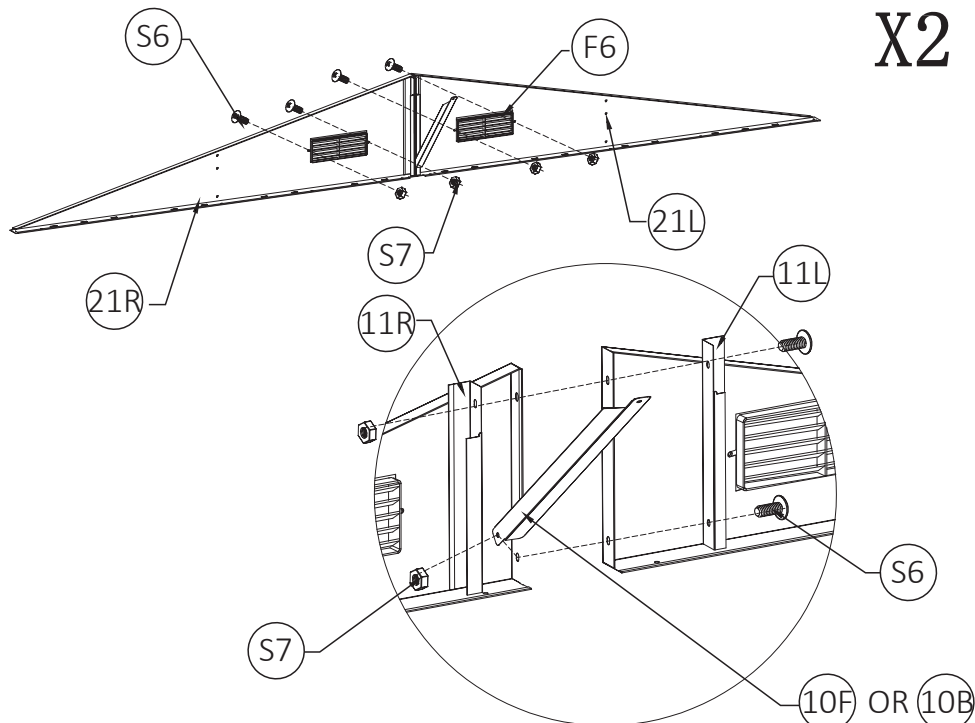
**Step 23:** Install the front of the storage shed, as shown in the figure, first combine (17) with the side wall (K6), use the screw (S6) gasket (F7) and nut (S7) to tighten, then install the side pad (W5) and (K6) from the short side of (K7) in turn, use the screw (S4) and the gasket (F7) above the overlap of the side pads to tighten, and use the screw (S6), the gasket (F7) and the nut (S7) to tighten the middle overlapping hole.




# Installation steps

Step 24		
NO	PART	Qty
10F	 405mm	1
10B	 405mm	1
11L	 320mm	2
11R	 320mm	2
21L		2
21R		2
F6		4
S6		12
S7		12

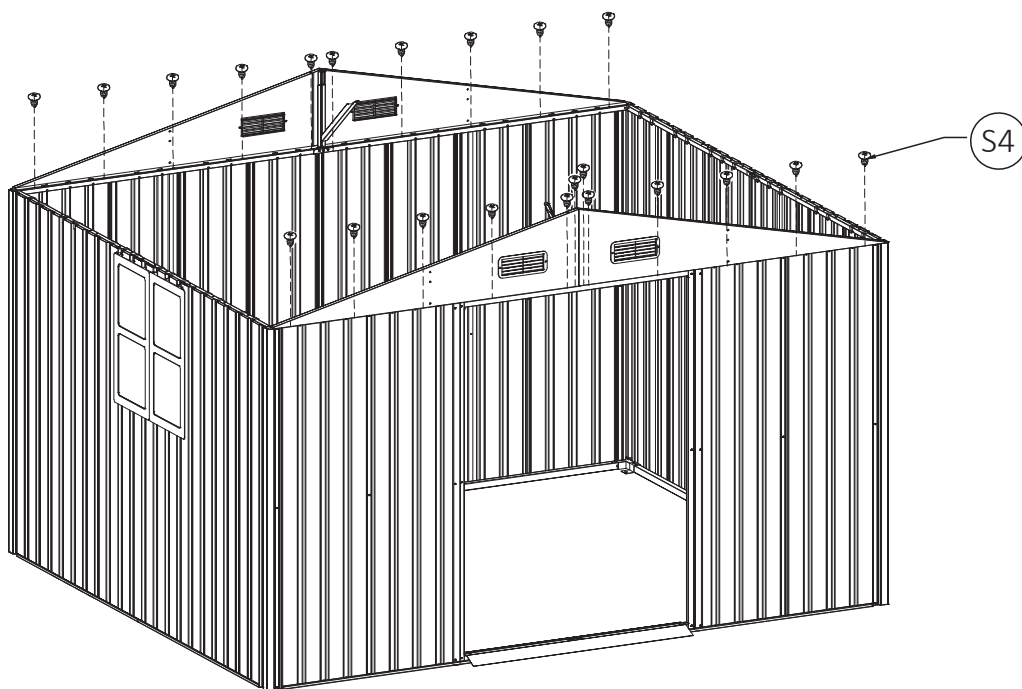
**Step 24:** First, install the plastic vent (F6) on the triangle (21L) and (21R), then place (11R) and (11L) on the (21L) and (21R) side respectively, and then align the (10F) or (10B) vertical hole position with the (21R) and (11R) lower side hole positions, align the hole positions, and tighten them with screws (S6) and nuts (S7). **Note:** When installing the plastic vent (F6), pay attention to the orientation, and the side with protrusions should be installed towards the inside of the tool room.



Step 25		
NO	PART	Qty
S4		22


**Step 25:** Install the triangle on the front and back of the storage shed, and make the hole position of the triangle consistent with the hole position of the top beam, install it with screws (S4), and tighten the screws.

**Note:** The side with the slope (15) is the front of the storage shed.

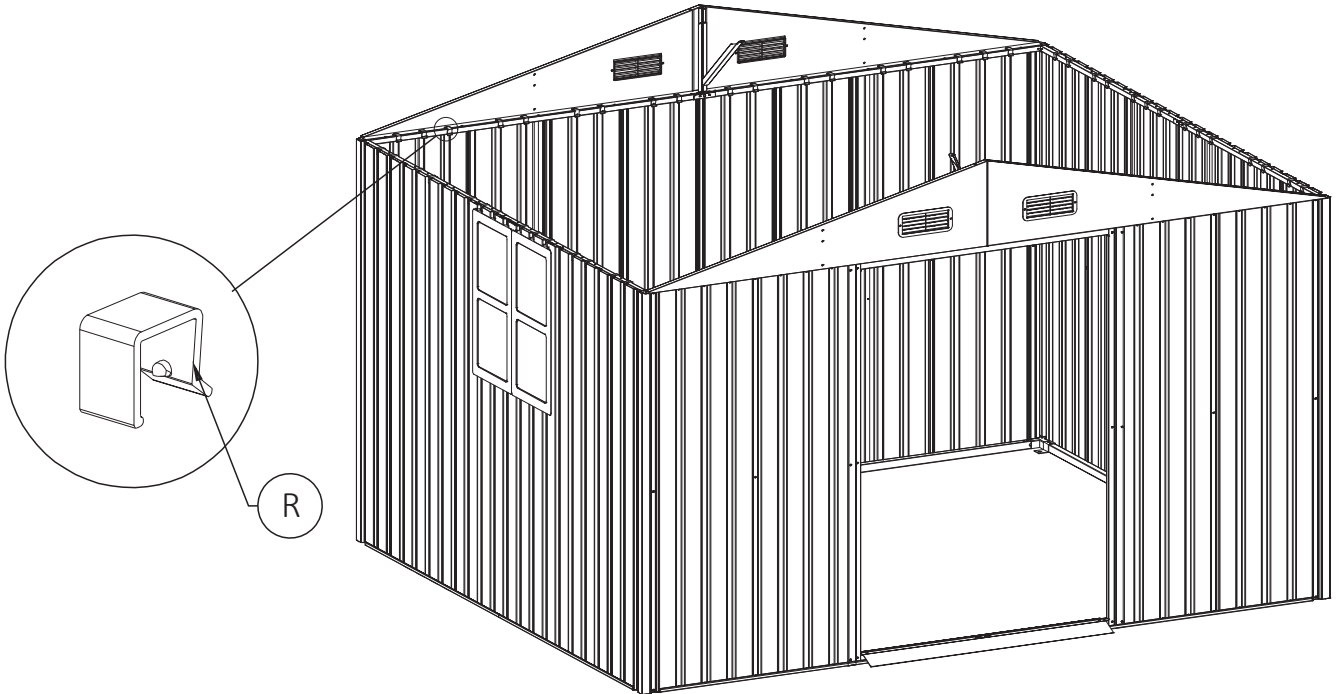


# Installation steps

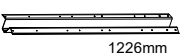



## Step 26

NO	PART	Qty
R		18

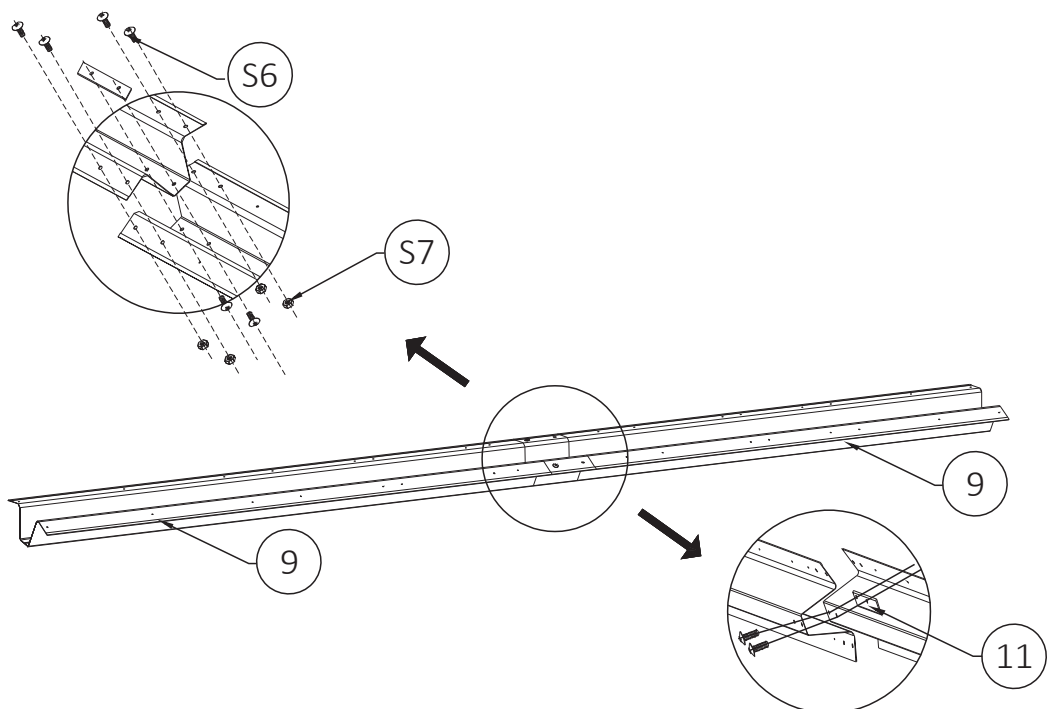
**Step 26:** Use the plastic clip (R) to fasten the triangle to the upper frame of the back.




## Step 27

NO	PART	Qty
9	 1226mm	2
S6		6
S7		4
11		1

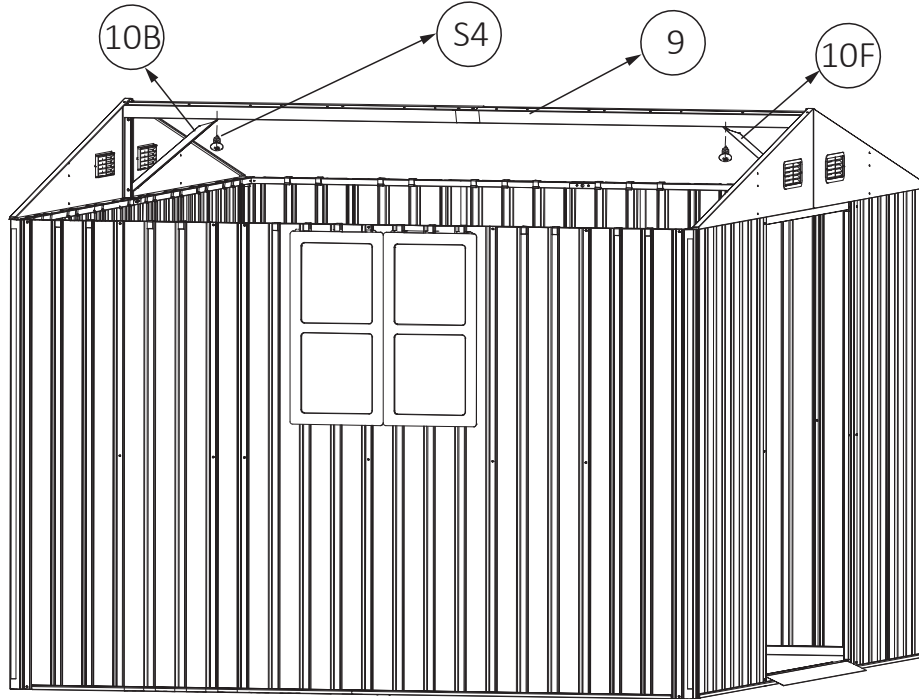
**Step 27:** Observe the top beam (9), overlap and combine the side with many holes, then place (11) at the groove of (9), align the hole position, and tighten it with a screw (S6) and a nut (S7).








# Installation steps

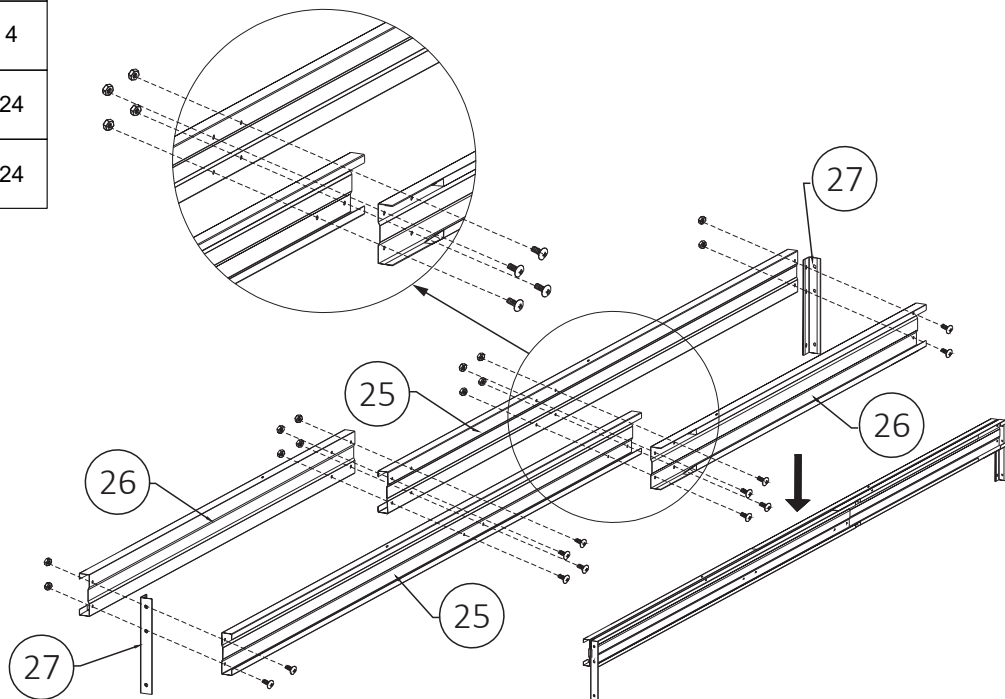
Step 28		
NO	PART	Qty
S4		2

**Step 28:** Snap the mounted (9) under the triangles on both sides, and use one side of (10F) and (10B) to align with the lower hole position of (9), and tighten it using screws (S4).






Step 29		
NO	PART	Qty
25	 1545.0mm	4
26	 927.0mm	4
27	 165.0mm	4
S6		24
S7		24

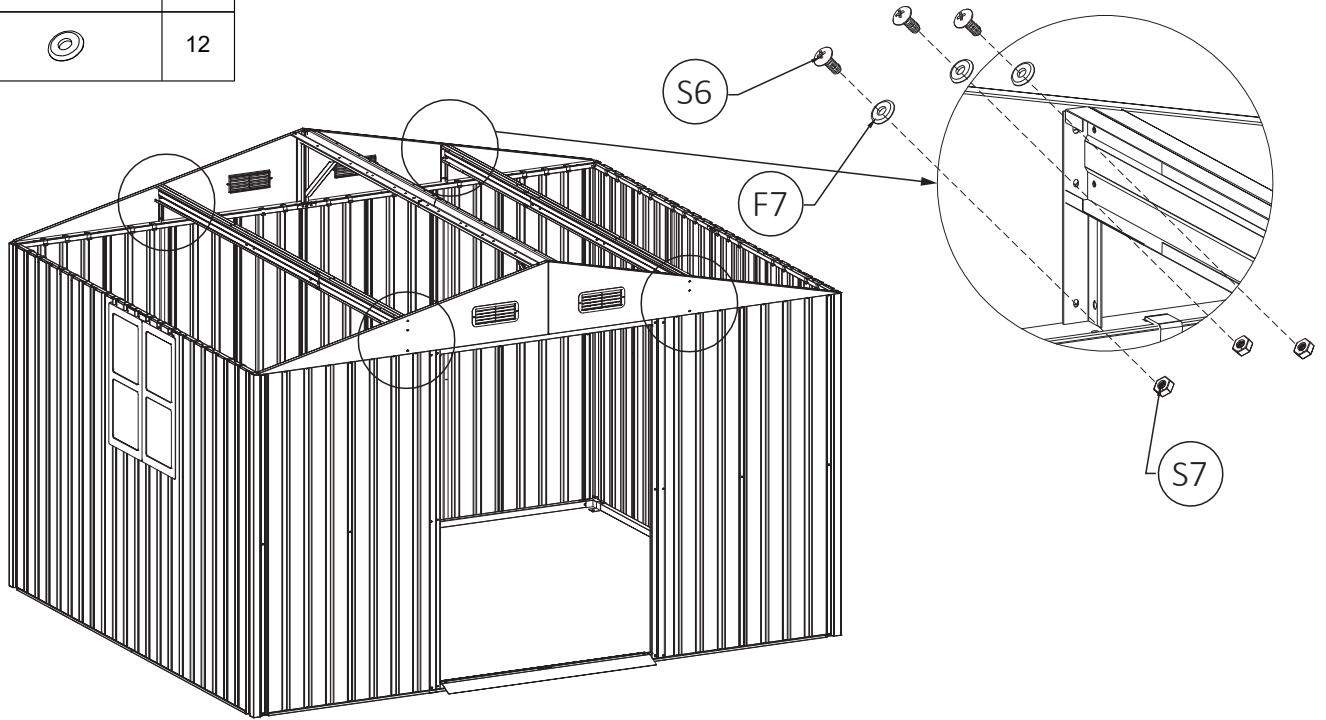
**Step 29:** Clamp one side of (25) and (26) with four holes as shown in the figure, and between the two (25) (26) that is installed, vertically snap into the folding piece (27), and tighten all the holes with screws (S6) and nuts (S7).



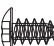


# Installation steps

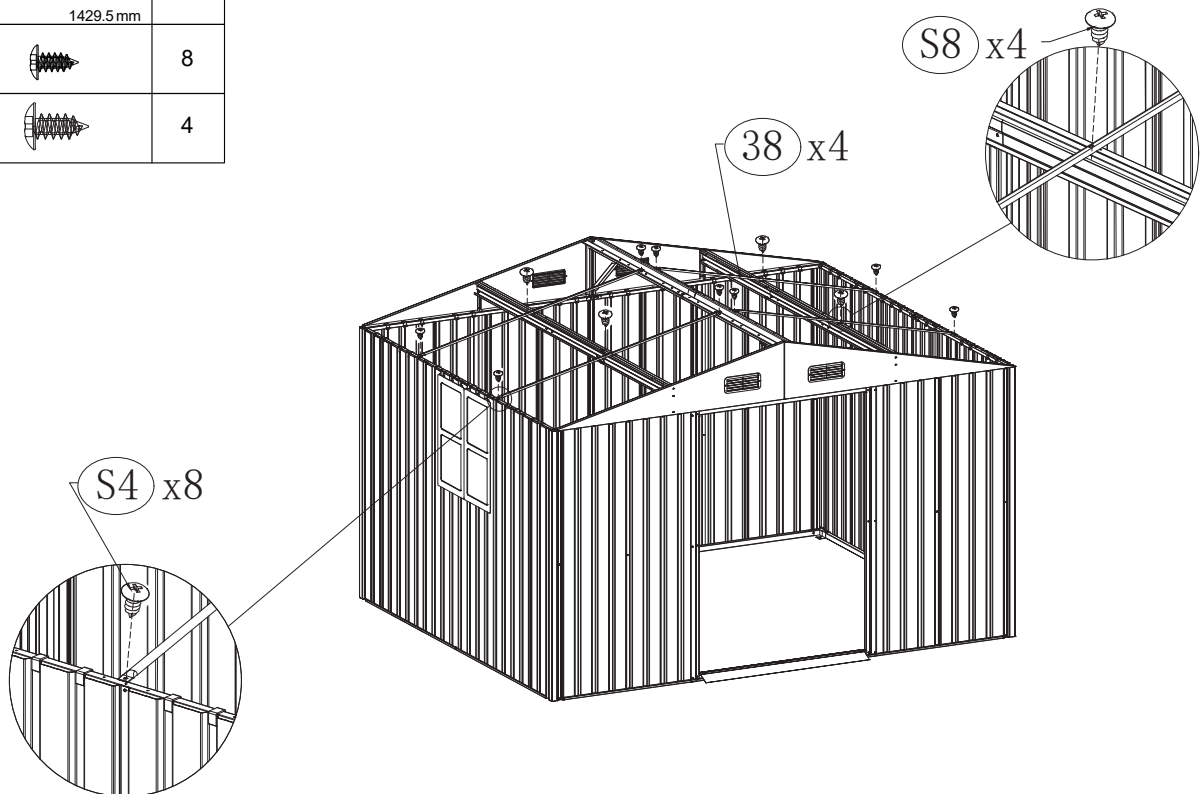
Step 30		
NO	PART	Qty
S6		12
S7		12
F7		12

**Step 30:** The installed secondary top beams are installed on both sides of the triangle, and after aligning the holes, they are tightened with screws (S6), gaskets (F7) and nuts (S7).  
**Note:** The installation direction of the screw, the nut should be installed on the inside of the tool room.







Step 31		
NO	PART	Qty
38	 1429.5mm	4
S4		8
S8		4

**Step 31:** Attach the support bar (38) to the roof beam with screws (S4, S8).

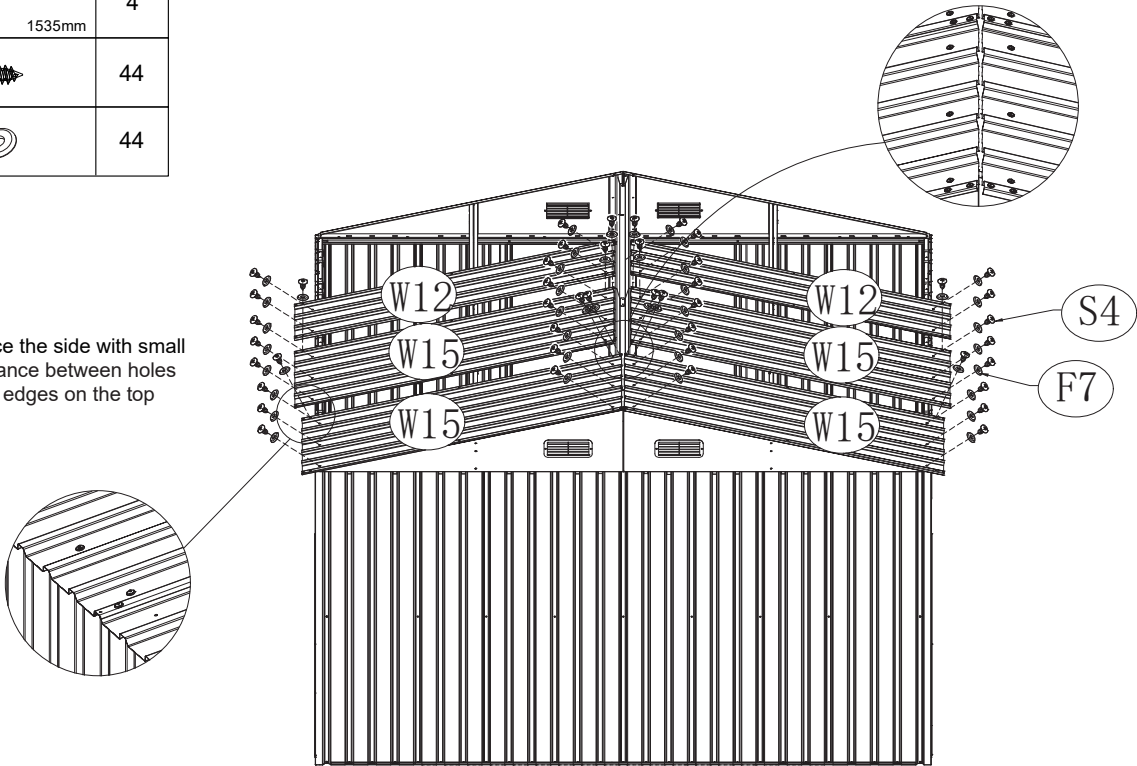






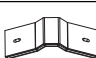
# Installation steps

Step 32		
NO	PART	Qty
W12	 1535mm	2
W15	 1535mm	4
S4		44
F7		44

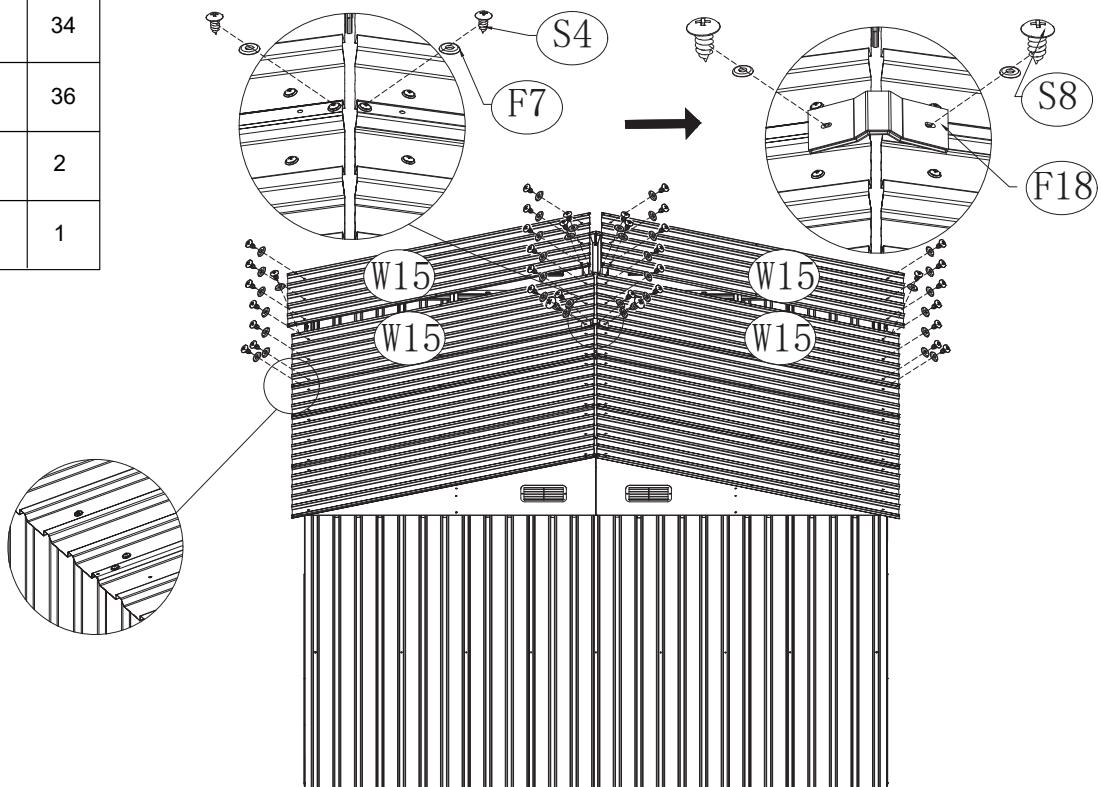
**Step 32:** Install cover tabs in order of (W15),(W15),(W12) as shown, mounting (W12) on side of (W15), aligning holes in top center overlap of (W15) and (W15), (W12) and (W15), and tightening with screws (S4) and washers (F7).

Place the side with small distance between holes and edges on the top

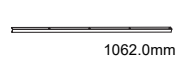
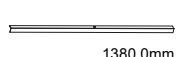
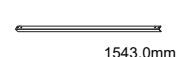

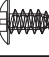





Step 33		
NO	PART	Qty
W15	 1535mm	4
S4		34
F7		36
S8		2
F18		1

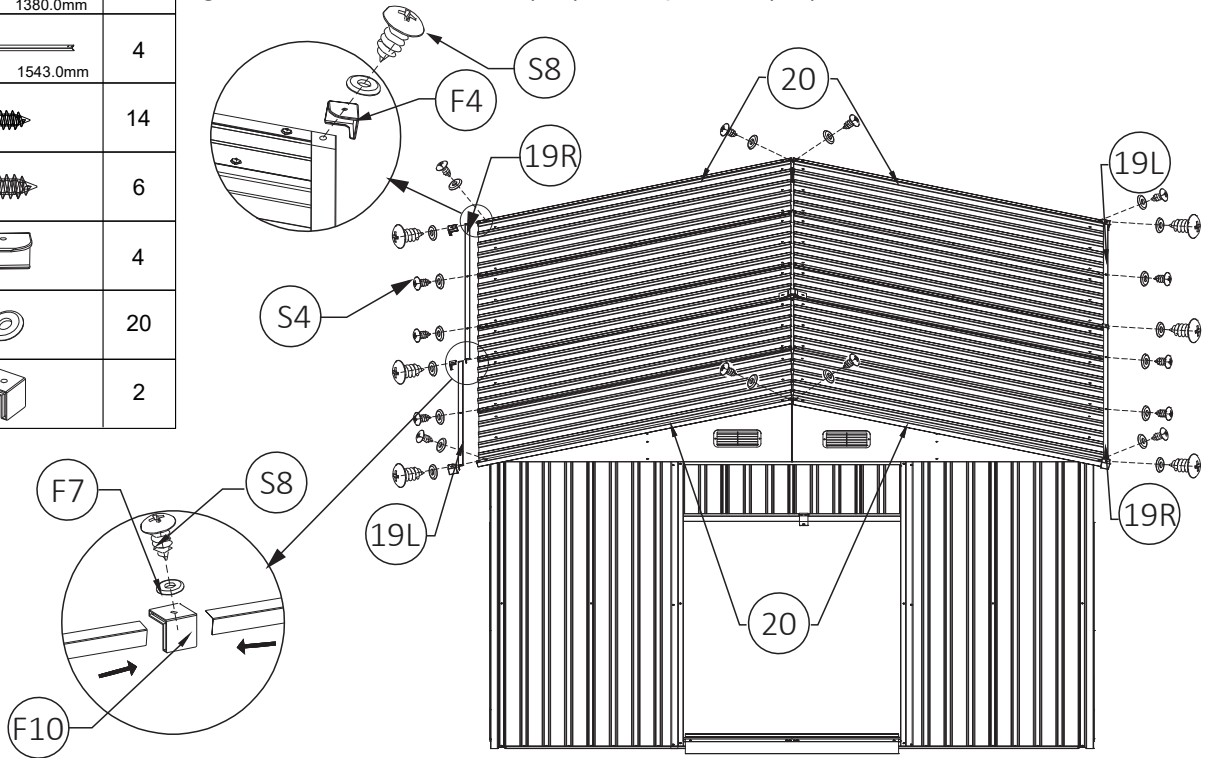
**Step 33:** Place the top plate (W15) on top as shown, align the holes, tighten with screws (S4) and spacers (F7), place the connector (F18) on the cover piece (W15), near the end of the cover piece (W12), and secure with screws (S8).

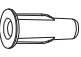


# Installation steps

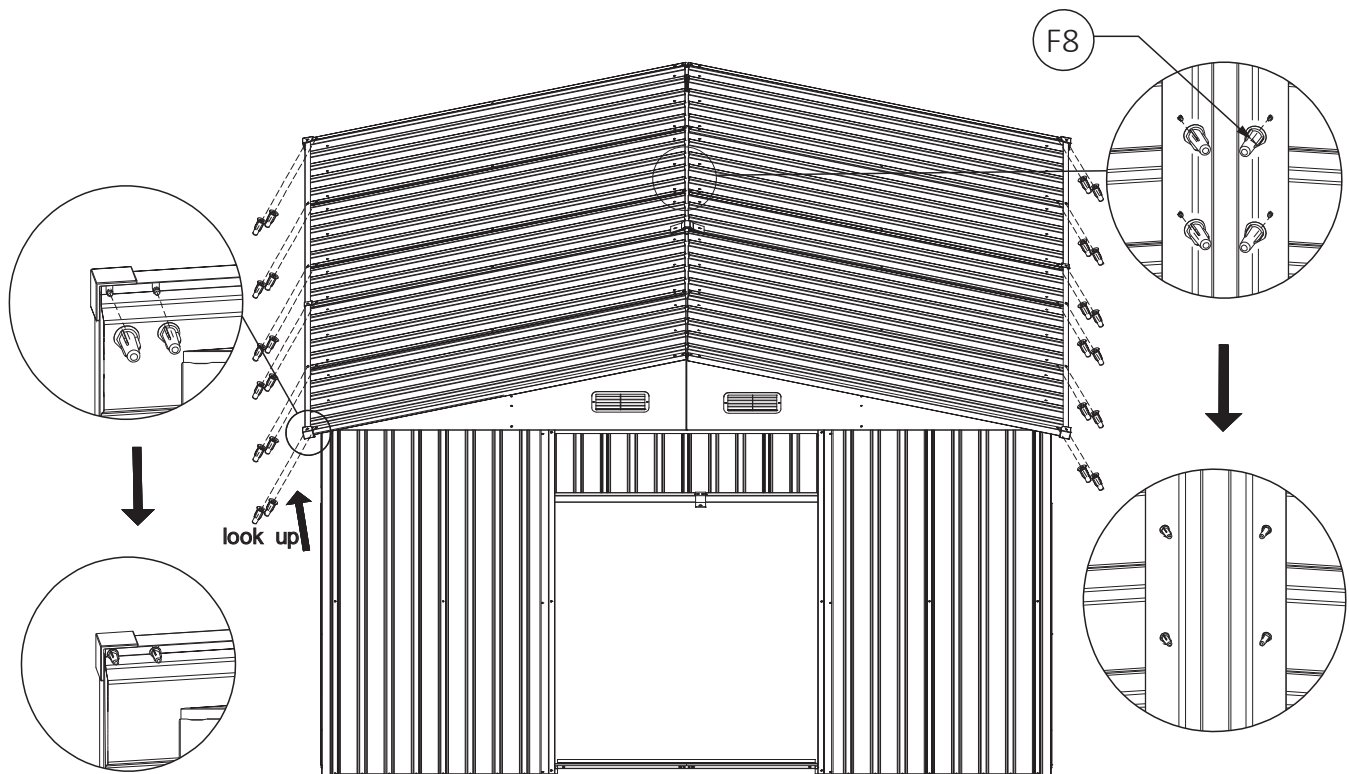
Step 34		
NO	PART	Qty
19L	 1062.0mm	2
19R	 1380.0mm	2
20	 1543.0mm	4
S4		14
S8		6
F4		4
F7		20
F10		2

**Step 34:** Install the side strips (19L) and (19R) in the order shown in the figure below, insert the joint (F10), Install the guard strips (20) on both sides of the inclined plane, tighten the top hole position with screws (S4) and spacers (F7), tighten with screws (S7) in (F4), and then install (F4) at the four corners, and tighten them with screws (S8) and spacers (F7).

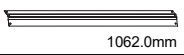
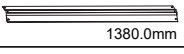

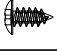



Step 35		
NO	PART	Qty
F8		52

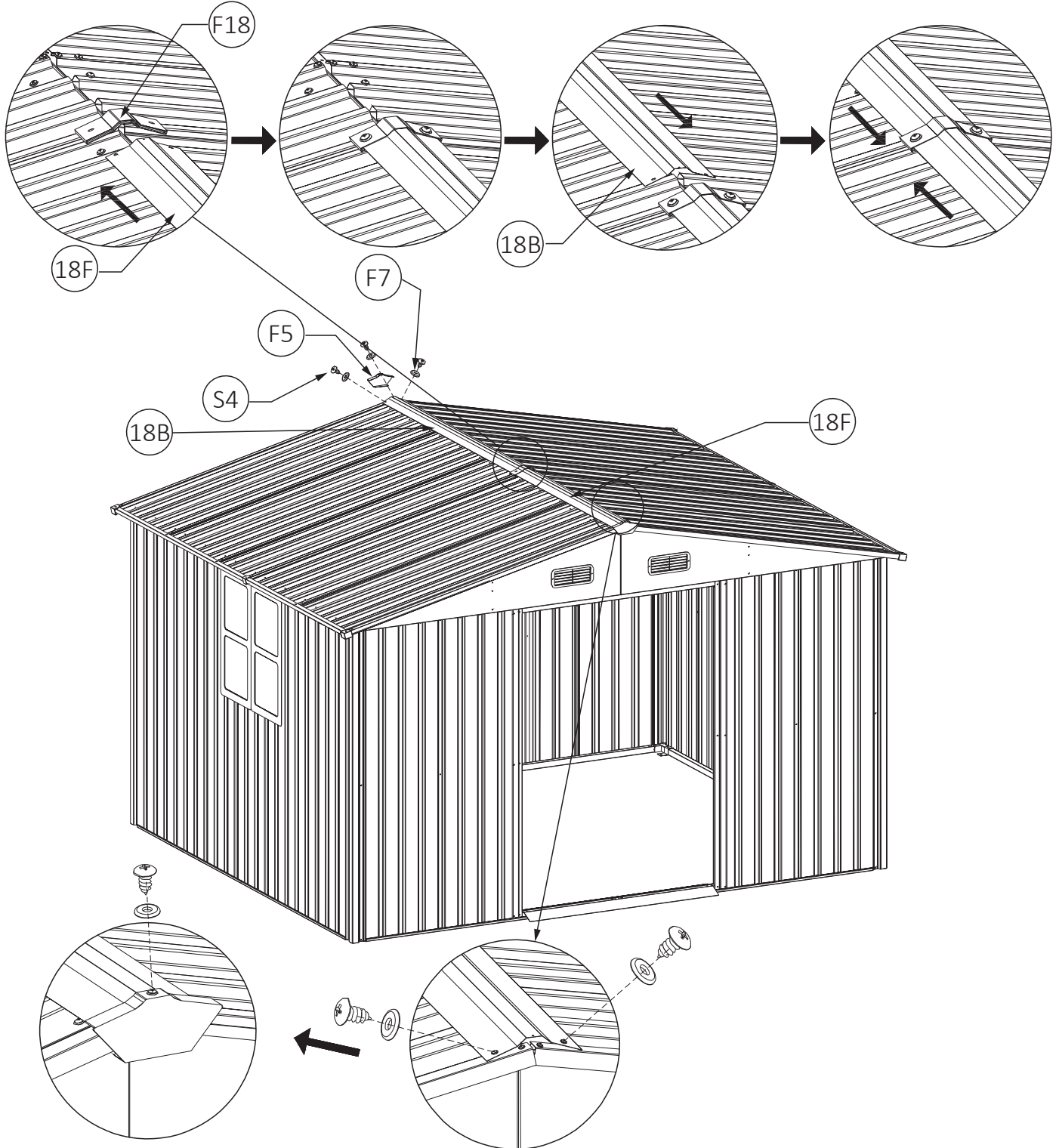
**Step 35:** Use a plastic sleeve (F8) to tighten all the screws leaking on the inside of the tool room to avoid scratches.



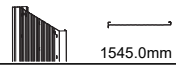
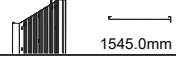
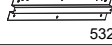





# Installation steps

Step 36		
NO	PART	Qty
18F	 1062.0mm	1
18B	 1380.0mm	1
F5		2
S4		6
F7		6

**Step 36:** Install the top beam cover (18F), install it from one side of the door, insert it into the groove on one side of the plastic part (F18), install (18B) from the back side in the same way, tighten it with screws (S4) and gaskets (F7) at both ends, and then cover the plastic parts (F5) on the outside of both ends, and tighten it with screws (S4) and gaskets (F7) on the upper side of (F5).

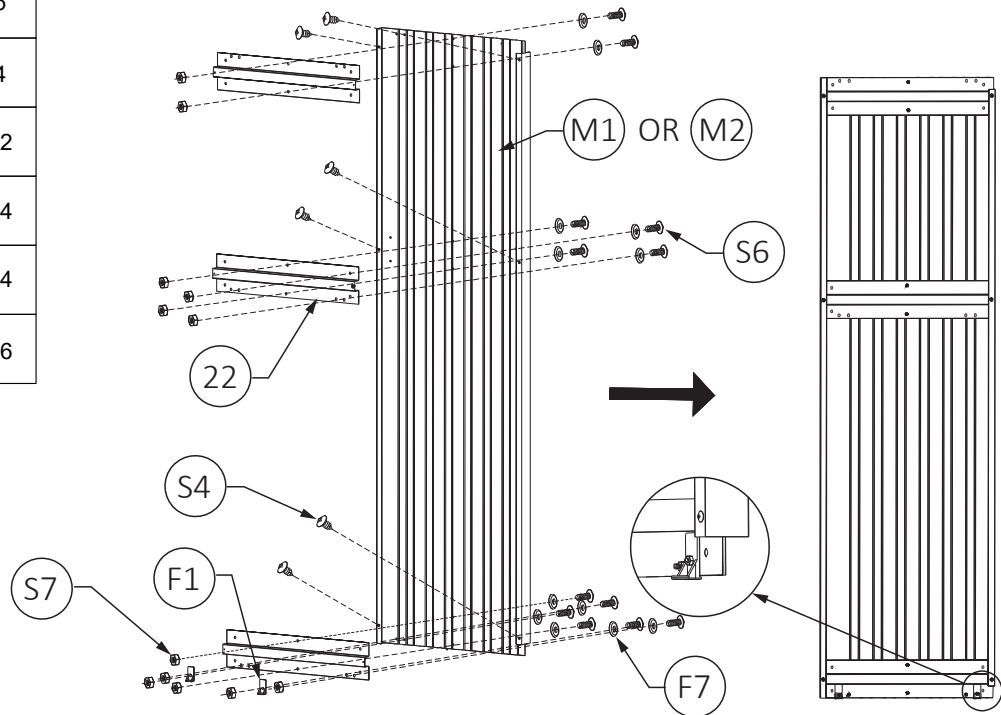





# Installation steps

Step 37		
NO	PART	Qty
M1	 1545.0mm	1
M2	 1545.0mm	1
22	 532mm	6
F1		4
S4		12
S6		24
S7		24
F7		36

**Step 37:** As shown in the figure, install (22) on (M1) or (M2), install (F1) on the second hole on the right side of the back of the lower side (22), align the holes, and tighten all the holes that need to be installed using screws (S4), (S6) gaskets (F7) and nuts (S7).

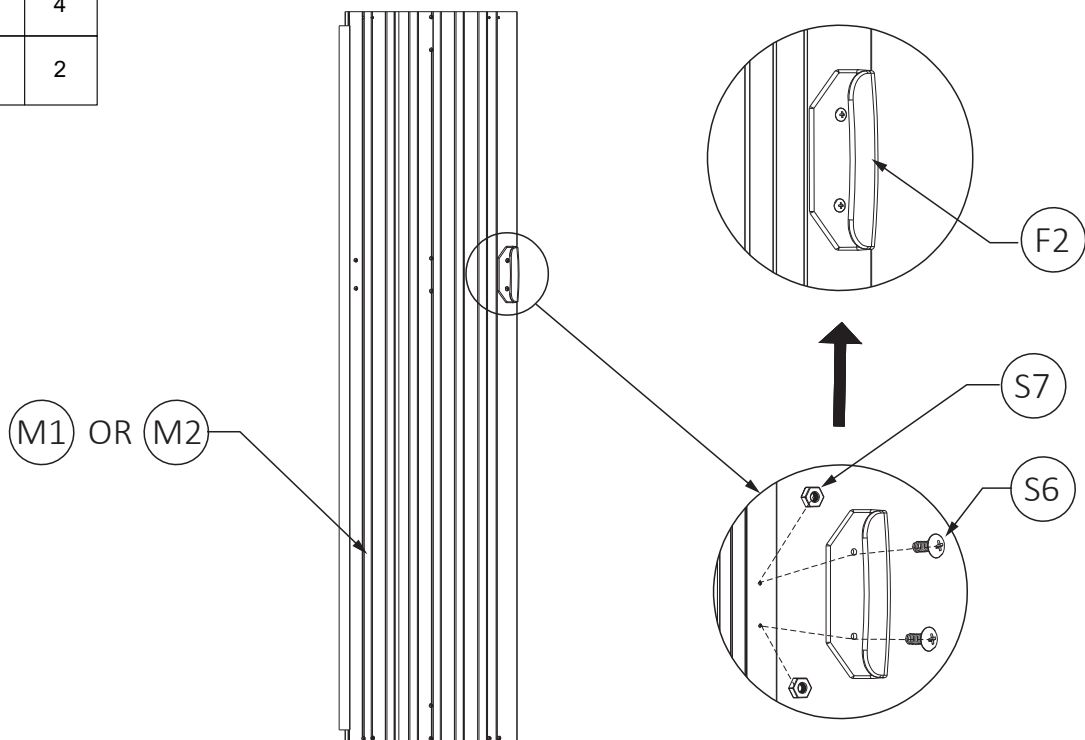
**Note:** There is a groove on one side of the door (M1) or (M2), and the two vertical holes in the middle of the non-grooved side do not lock the screws.




Step 38		
NO	PART	Qty
S7		4
S6		4
F2		2

**Step 38:** Install the door handle (F2) on the two remaining holes in the middle of the door (22) and the vertical direction, align and tighten it using screws (S6) and nuts (S7).

**Note:** The doorknob opening is facing outward



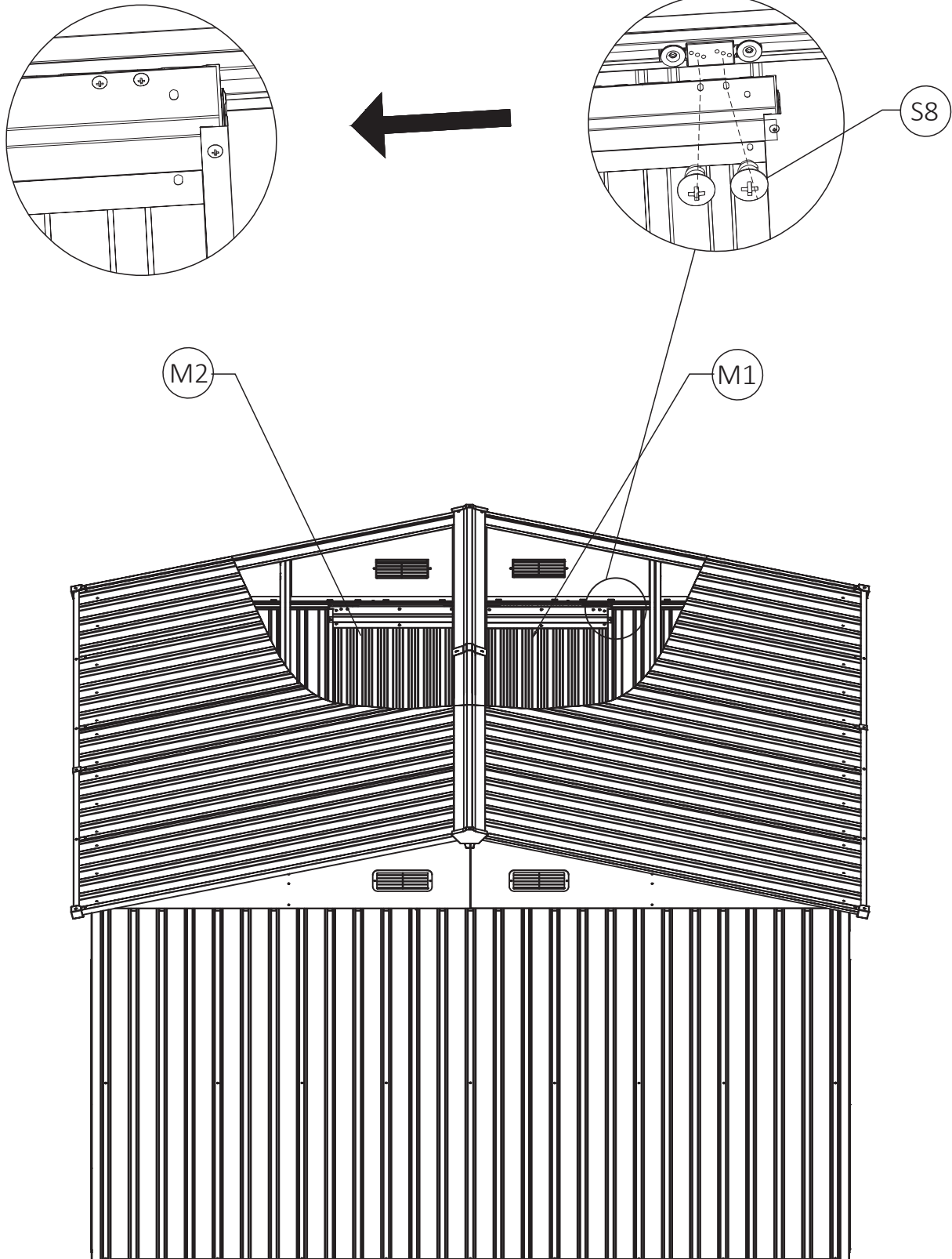
# Installation steps

Step 39		
NO	PART	Qty
S8		8



**Step 39:** Install the mounted door, onto the pulley, with the left and right holes aligned, and tighten using screws (S8).

**Note:** When installing the door, it is necessary for the lower part to snap into the threshold groove first, before aligning the upper holes.

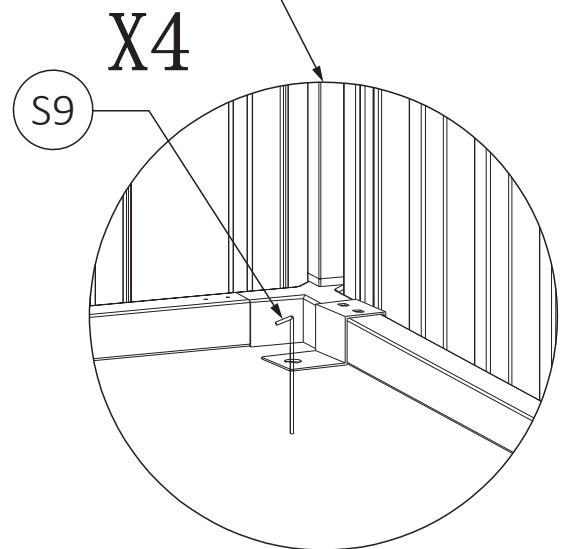
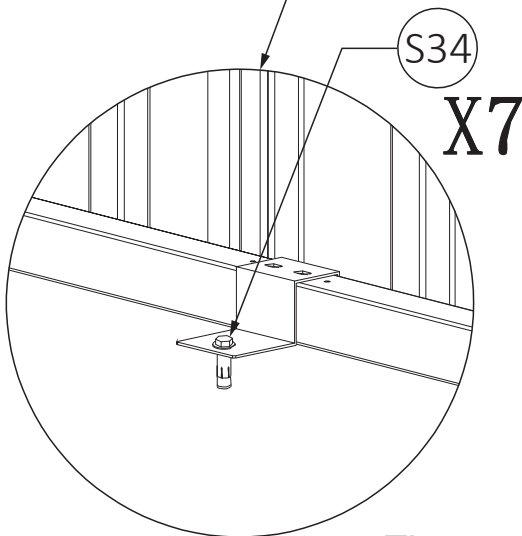
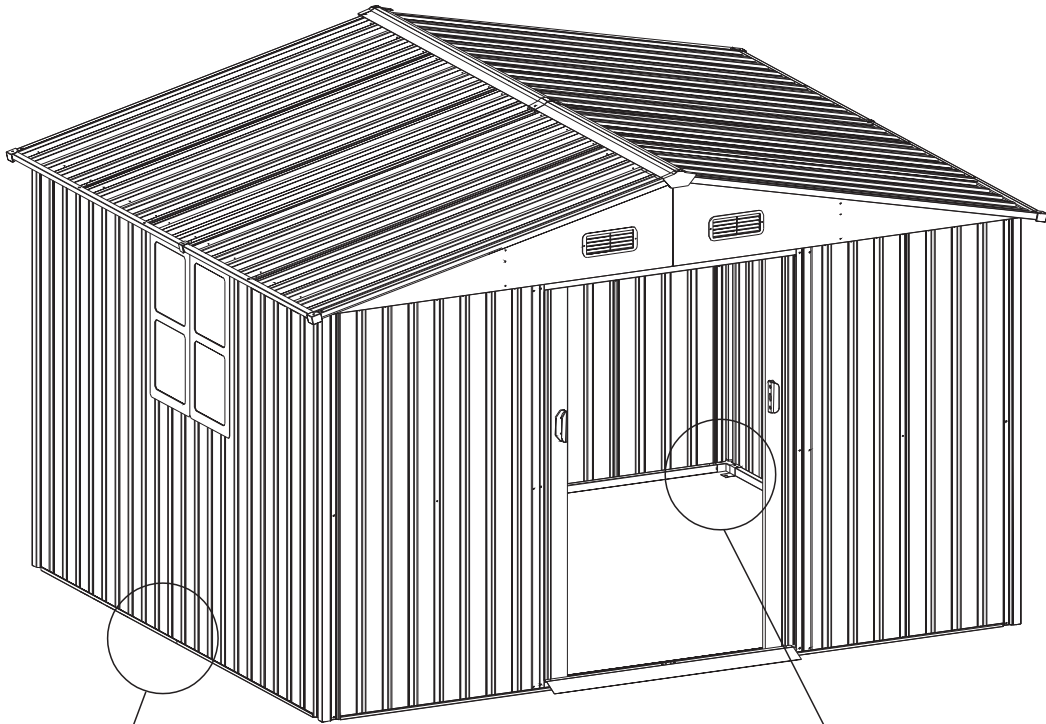
X4



# Installation steps

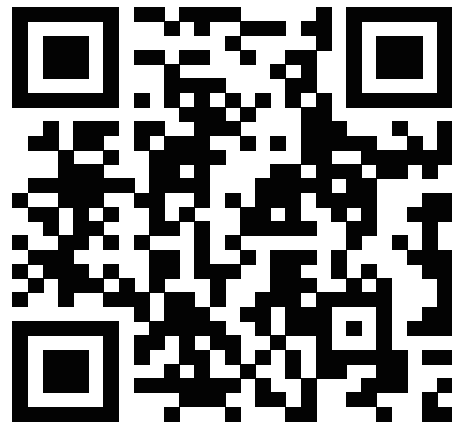
Step 40		
NO	PART	Qty
S9		4
S34		7

**Step 40:** Finally, install the ground nail (S9) into the holes of the four corners (4) of the inner side and hammer tightened, and install the expansion screw (S34) in the hole of the remaining (4).



The screws of the M6X50 must be hit at the joint of the floor beam to make it stronger.





[www.alaulm.com](http://www.alaulm.com)

Make your life much better.