

ASSEMBLY INSTRUCTIONS

HARDWARE

Ax4

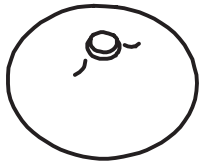


Bx1

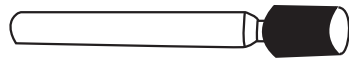


PARTS

1x1



2x1



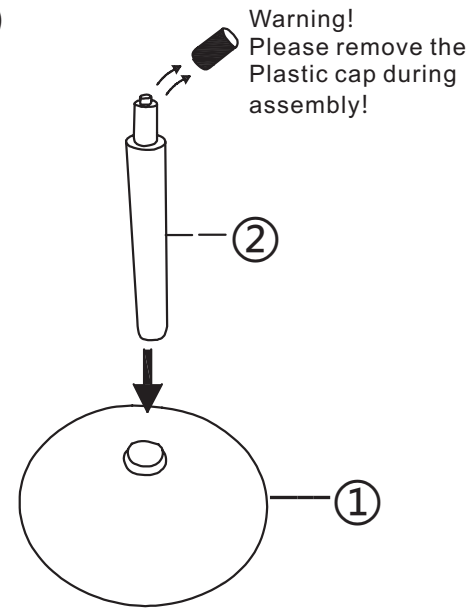
3x1



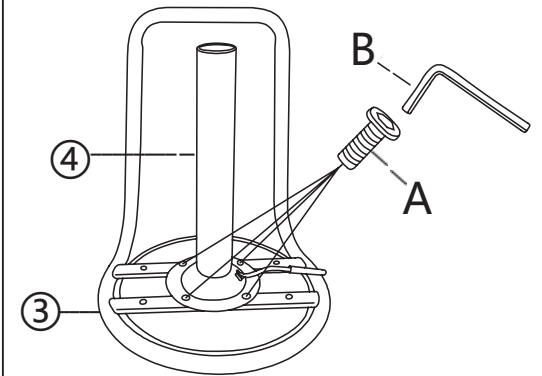
4x1



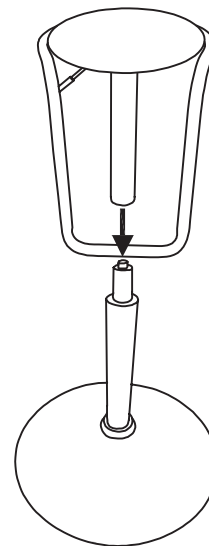
(1)



(2)



(3)



(4)

