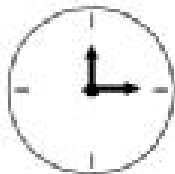
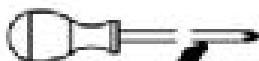
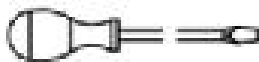


2PERS



45 MIN

Tool Required Not Provided





Warning: Please read these instructions fully before starting assembly. Check you have all the components and tools listed on pages. Keep the instructions for later reference. Parts of the assembly will be easier with 2 people. Seek professional assistance if necessary.

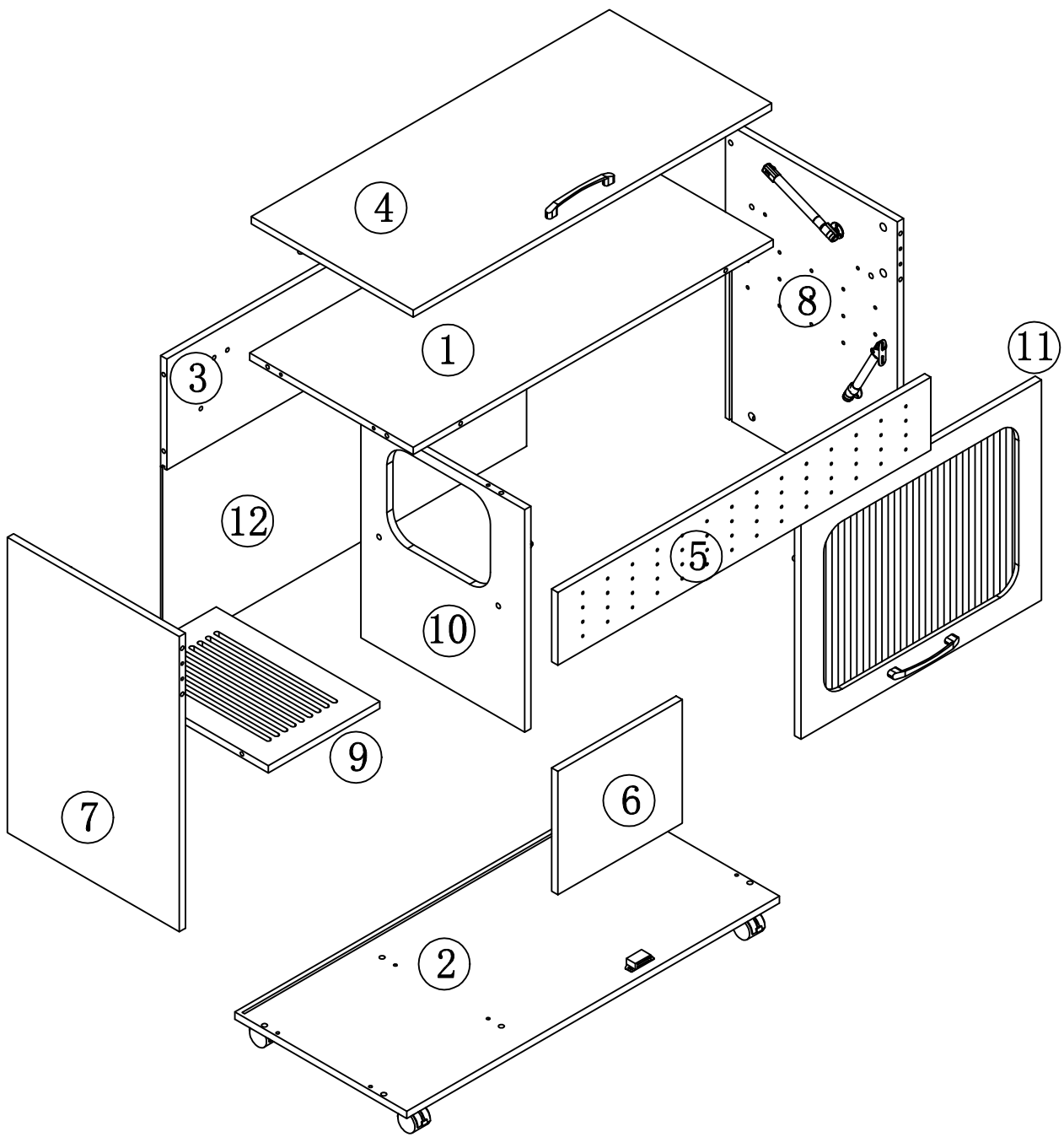
Warning: Please place all parts on a flat surface. Place a soft blanket or similar underneath to protect against scratches or stains. Avoid dragging or sliding components across the floor.

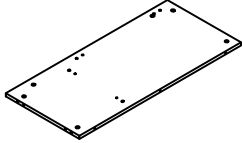
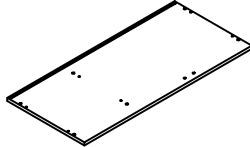
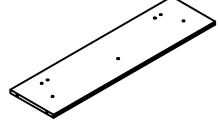
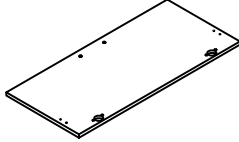
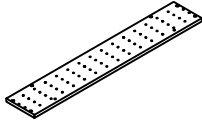
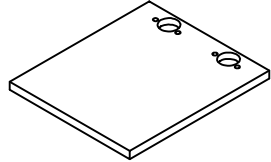
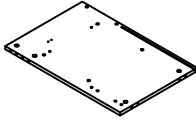
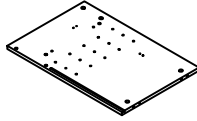
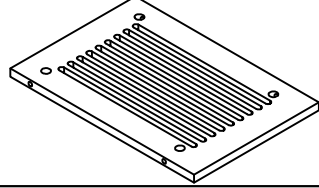
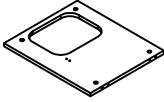
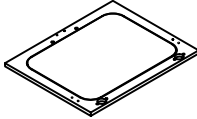
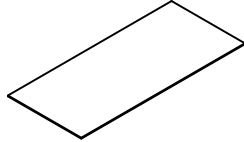
Warning: Regularly check all fittings and fastenings to ensure they are secure and to prevent accidents. If any parts are missing, broken, damaged, or worn, discontinue use of the product until repairs have been made using factory authorized parts.

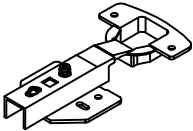
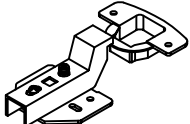




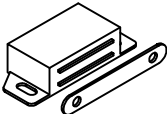

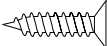

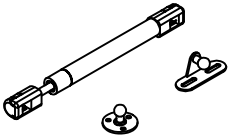
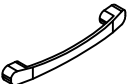




Warning: Do not allow children to climb on the furniture as this may result in tipping and serious personal injury. Assemble the furniture away from the reach of children.

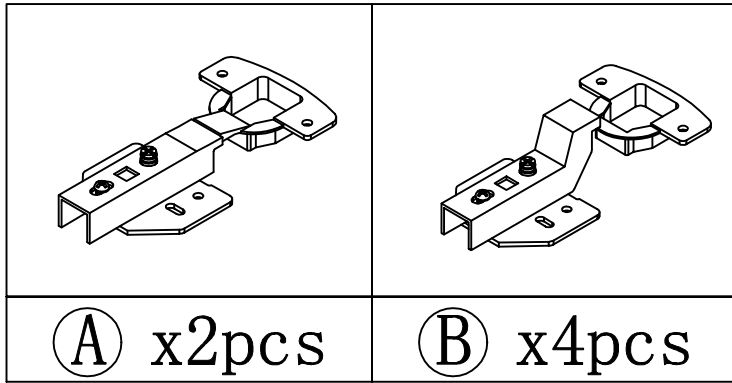
Warning: Do not place furniture close to fire sources or high-temperature objects to avoid the risk of fire. Do not place furniture in damp environments to prevent material damage.

Warning: Clean furniture with a damp cloth or alcohol, avoid using cleaning agents containing corrosive chemicals.

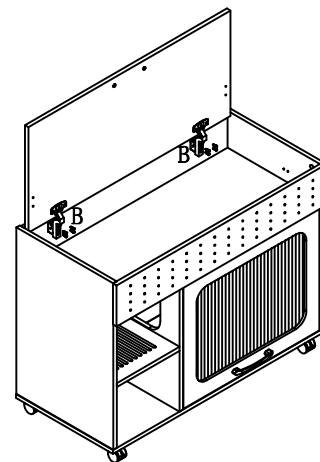
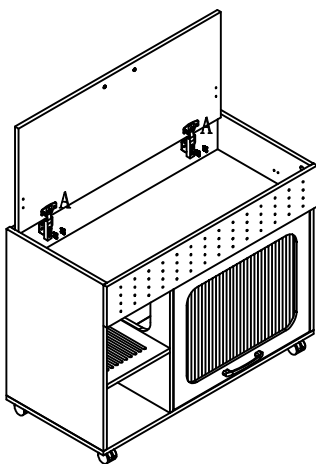


		
① x1pc	② x1pc	③ x1pc
		
④ x1pc	⑤ x1pc	⑥ x2pcs
		
⑦ x1pc	⑧ x1pc	⑨ x1pc
		
⑩ x1pc	⑪ x1pc	⑫ x1pc

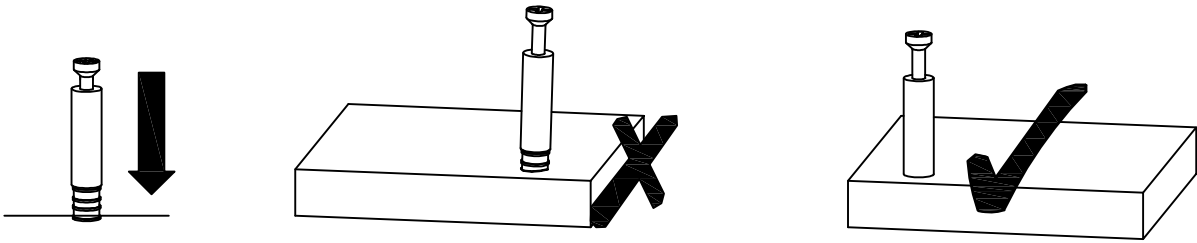
		 M6*40mm	 φ15*12mm	 φ6*30mm
Ⓐ x2pcs	Ⓑ x4pcs	Ⓒ x26pcs	Ⓓ x26pcs	Ⓔ x16pcs
 M6*18			 M3.5*14mm	 H57mm
Ⓕ x2pcs	Ⓖ x1pc	Ⓗ x3pcs	Ⓘ x82pcs	Ⓙ x4pcs
	 128	 M4*16mm	 φ20mm	
Ⓚ x4pcs	Ⓛ x2pcs	Ⓜ x4pcs	Ⓝ x30pcs	Ⓞ x6pcs
				
Ⓟ x1pc				



NOTE-1: Please note that the shapes of fittings A and B are similar. Please install according to the instructions and distinguish them!

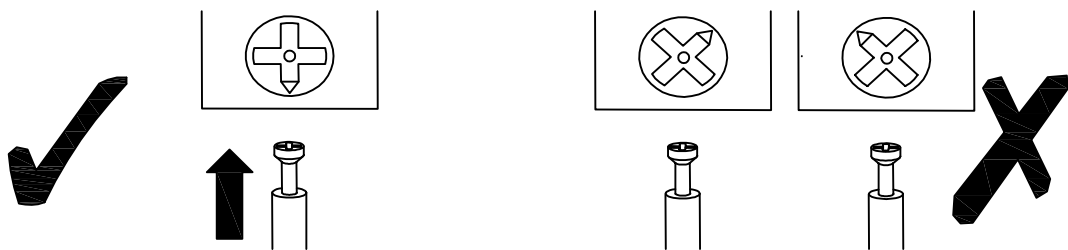


NOTE-2: Please note that this product contains multiple fittings. When attaching door panels and side panels, be sure to: Use Type A. Using the wrong fitting may result in damage to the plate parts



NOTE-3:

QUICKFIT: Tighten quickfit until shoulder is flush with panel. Do not overtighten or undertighten

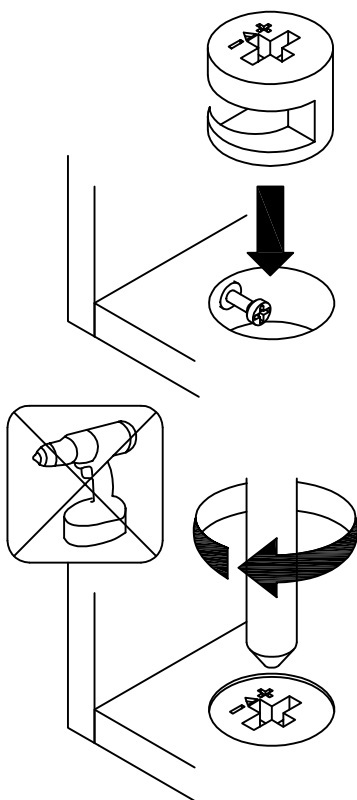


NOTE-4:




CAM LOCK: When fitting cam lock, ensure starting position is correct before you insert connecting quickfit.

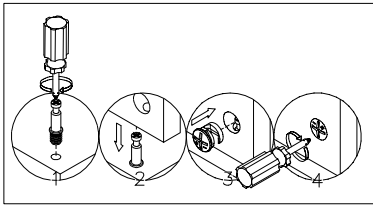
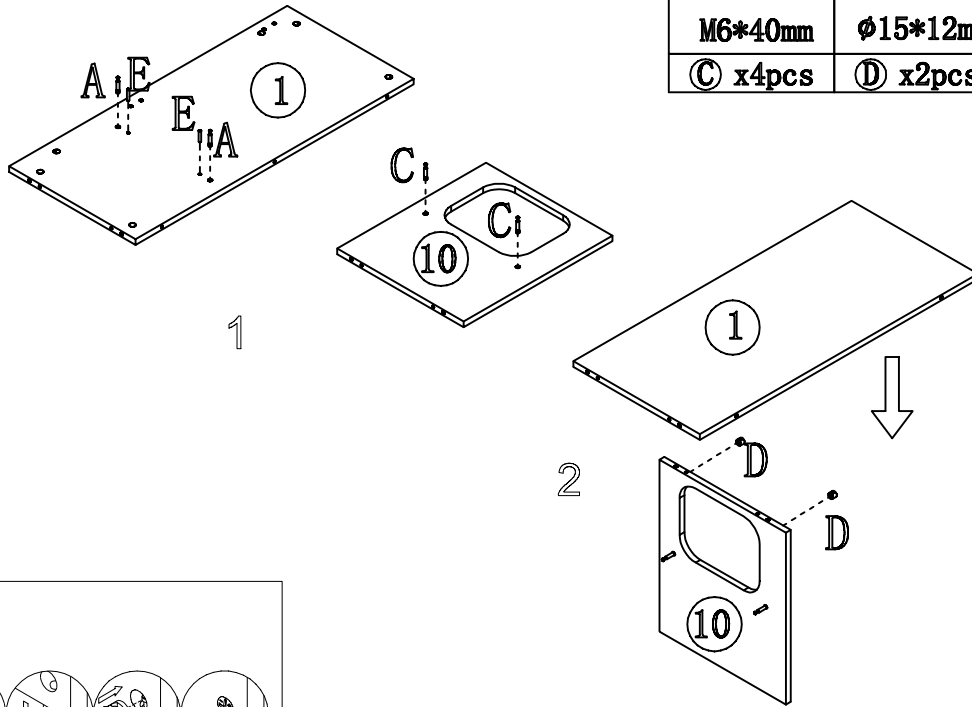
NOTE-5:

Quickfit head should be in the centre of the cam lock when the two panels are joined. Camlock should be inserted before quickfit.




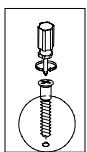
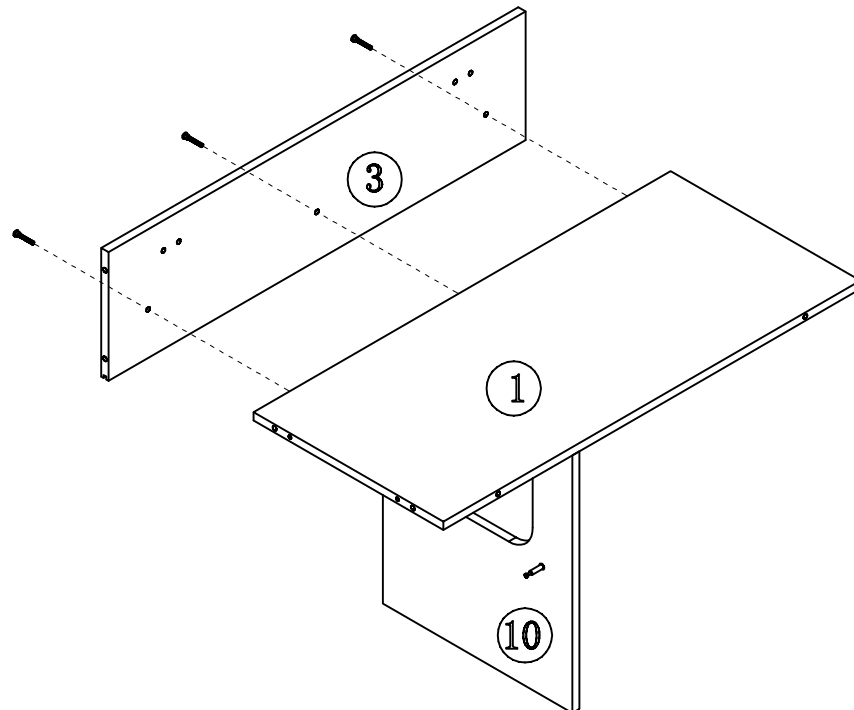
Step 1

		
M6*40mm	Ø15*12mm	Ø6*30mm
Ⓒ x4pcs	Ⓓ x2pcs	Ⓔ x2pcs






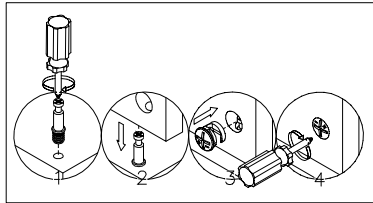
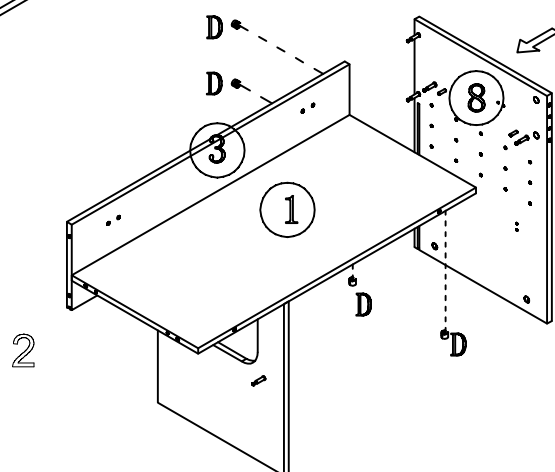
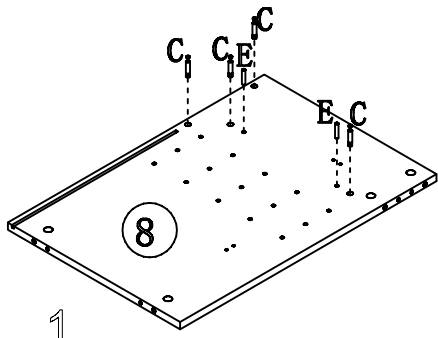
Step 2


Ⓕ x3pcs




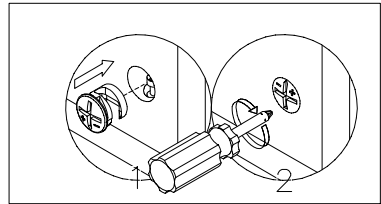
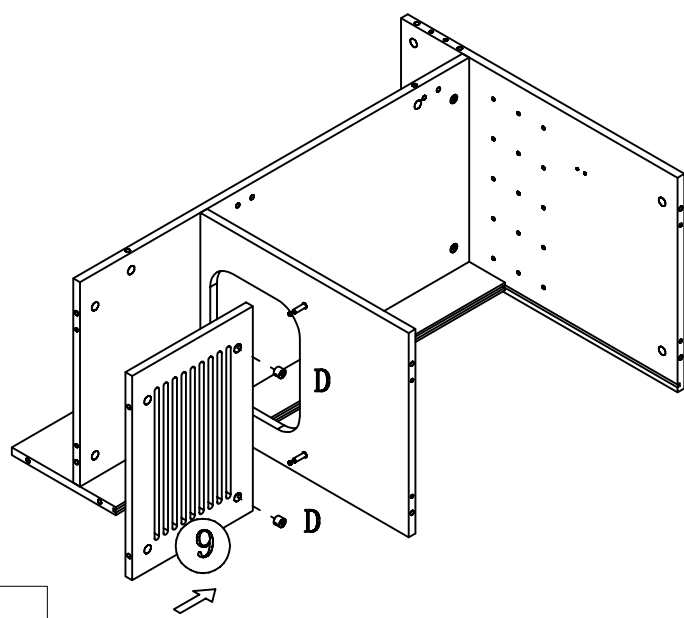
Step 3

		
M6*40mm	φ15*12mm	φ6*30mm
Ⓒ x4pcs	Ⓓ x4pcs	Ⓔ x2pcs






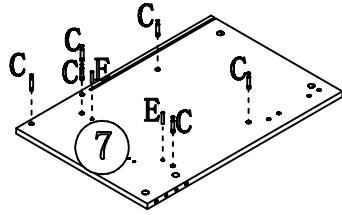
Step 4


φ15*12mm
Ⓓ x2pcs

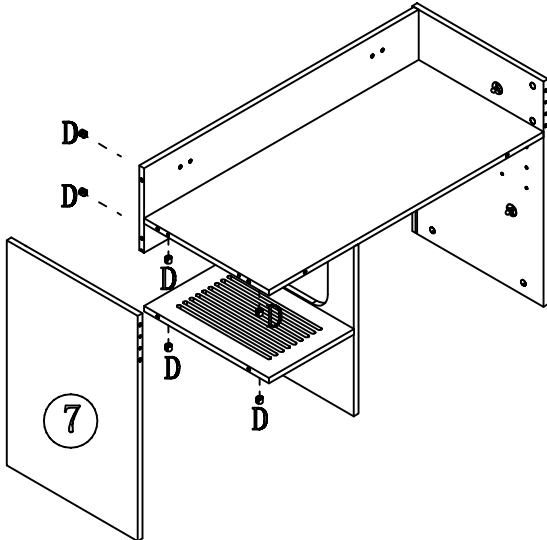


Step 5

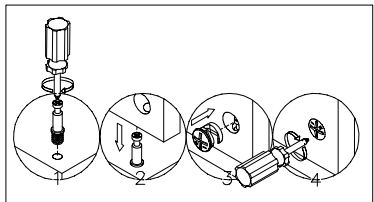
		
M6*40mm	Ø15*12mm	Ø6*30mm
Ⓒ x6pcs	Ⓓ x6pcs	Ⓔ x2pcs







1

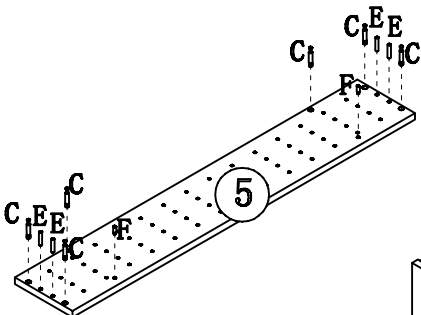


2

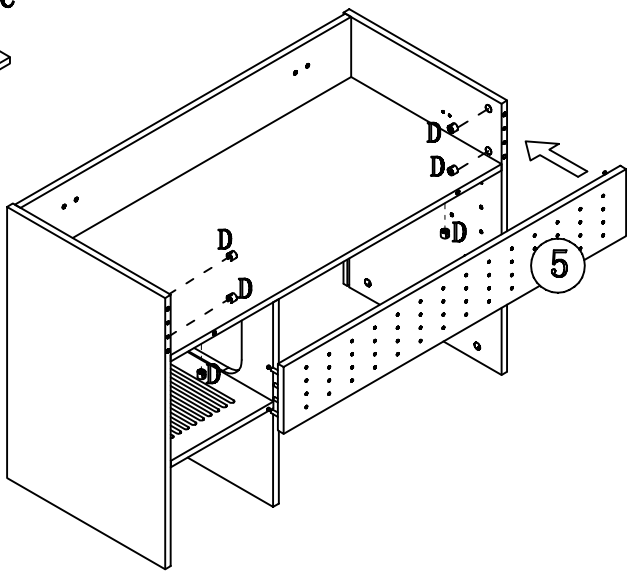


Step 6

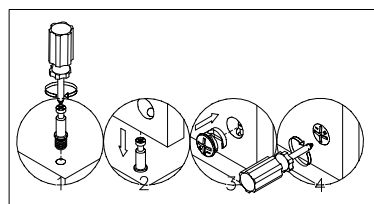
			
M6*40mm	Ø15*12mm	Ø6*30mm	M6*18
Ⓒ x6pcs	Ⓓ x6pcs	Ⓔ x4pcs	Ⓕ x2pcs



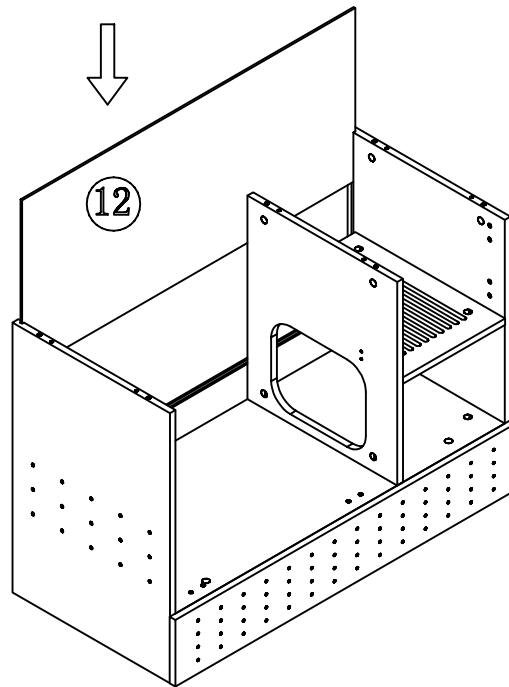
1



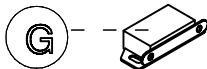
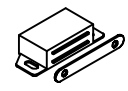
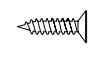


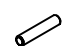
2

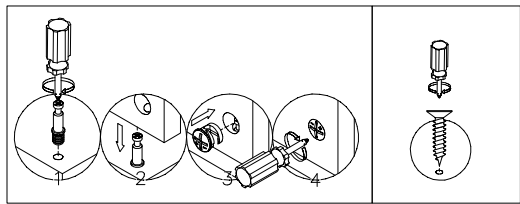
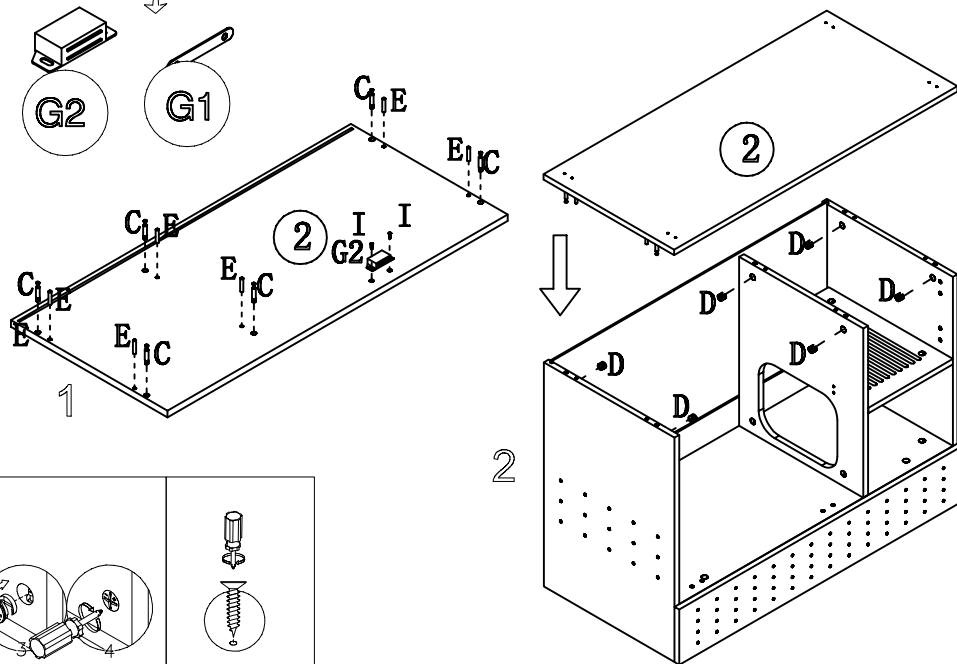


Step 7

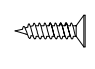



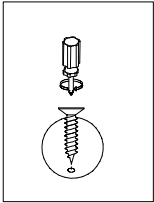
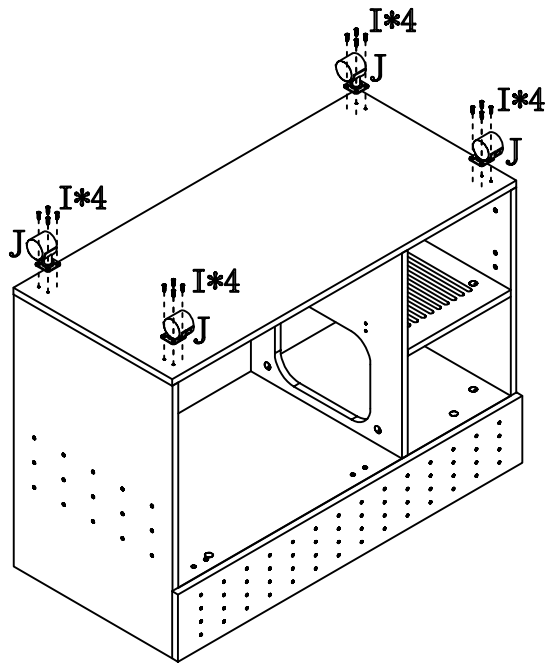
Step 8

					
G x1pc	G x1pc	I x2pcs	C x6pcs	D x6pcs	E x6pcs

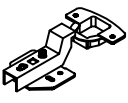
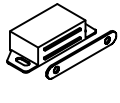
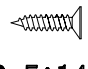





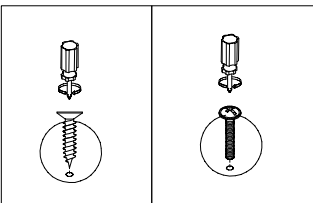
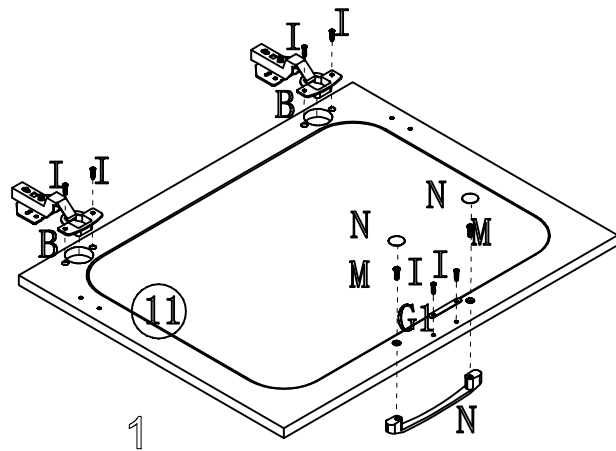
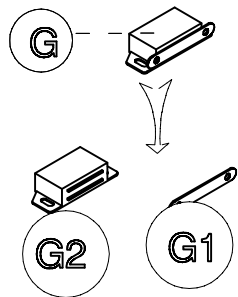
Step 9

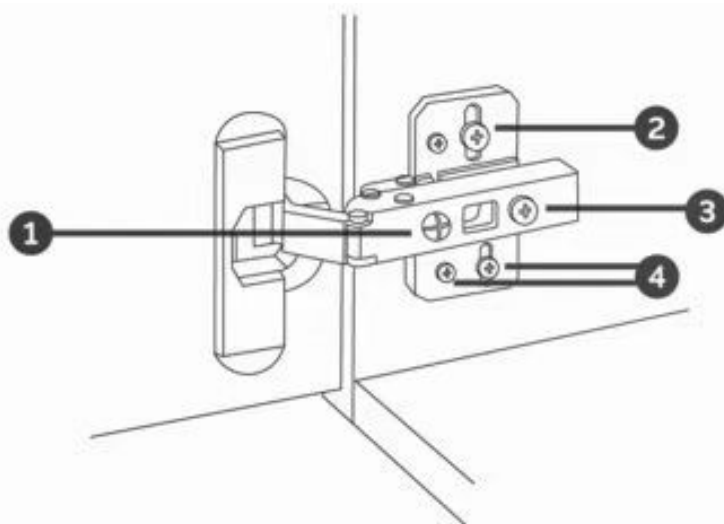
	
M3. 5*14mm	H57mm
Ⓢ x16pcs	Ⓣ x4pcs



Step 10

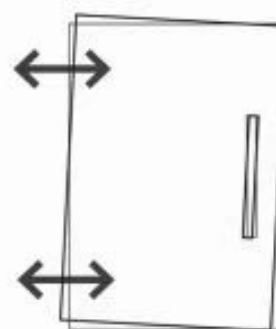
					
M3. 5*14mm	128	M4*16mm	Ø20mm		
Ⓟ x2pcs	Ⓠ x1pc	Ⓢ x6pcs	Ⓛ x1pc	Ⓜ x2pcs	Ⓝ x2pcs





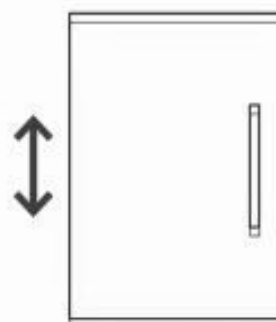
1 Sideways / Tilt adjustment

Turn the screw
clockwise to move the door further away from
 the side of the cabinet
anticlockwise to move the door closer to the
 side of the cabinet



2 4 Height adjustment

While supporting the weight of the door, turn the
 screws
clockwise to move the door up
anticlockwise to move the door down

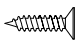


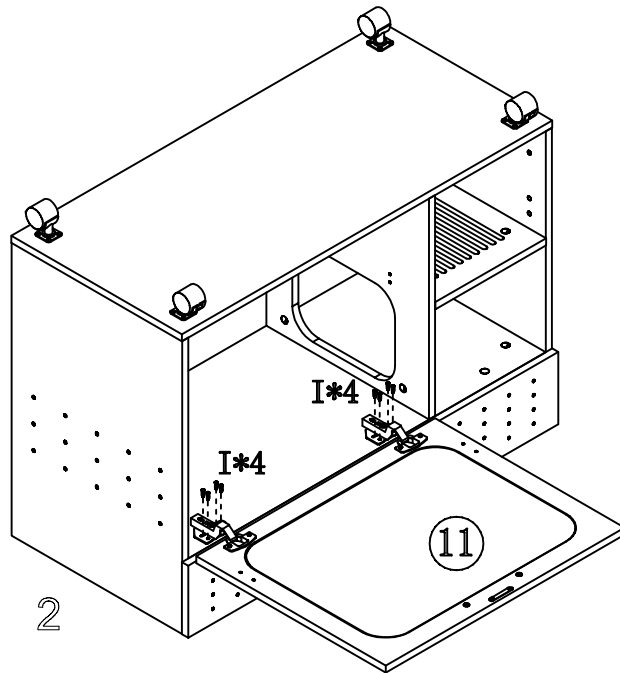
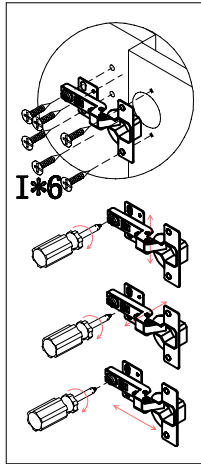
3 Forward and back adjustment

If the gap between the back of the door and the
 cabinet is too small, and the door may not close
 fully. Turn the screw
clockwise to decrease the gap between the
 door and the cabinet
anticlockwise to increase the gap between the
 door and the cabinet

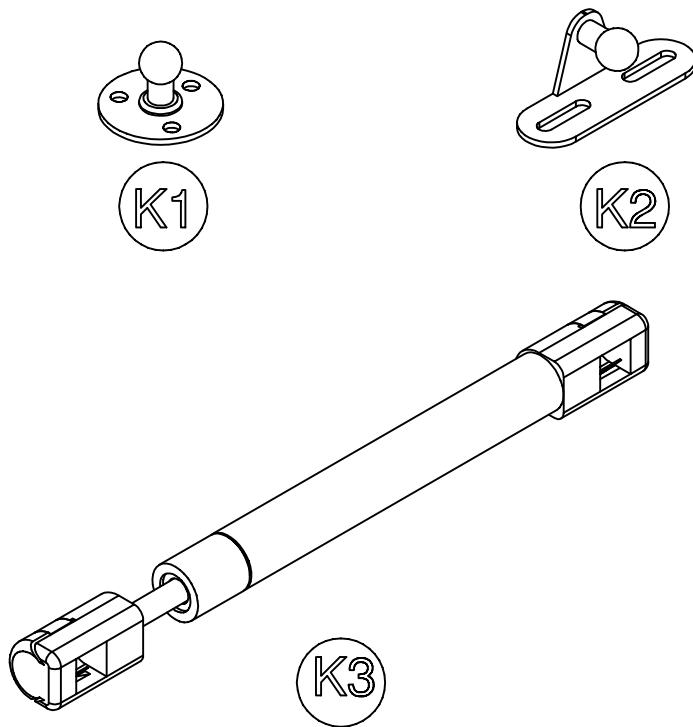
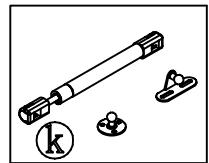


Step 11

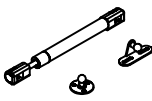
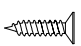

M3.5*14mm
① x8pcs

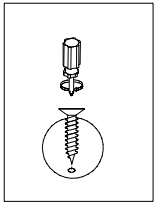
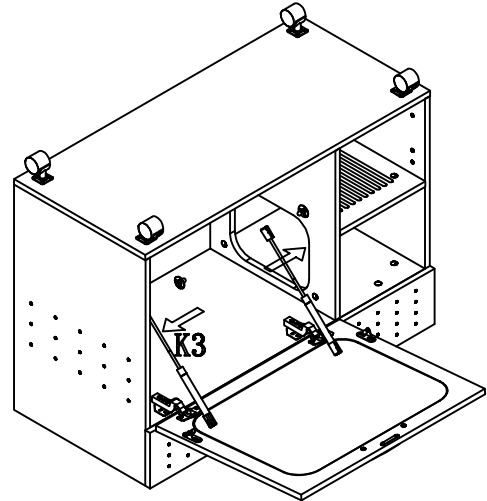
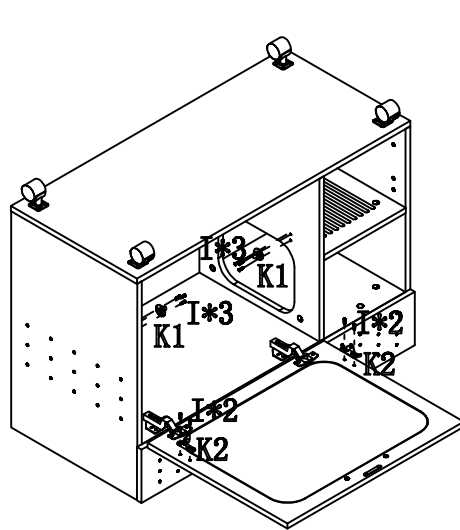


Step 12

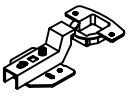






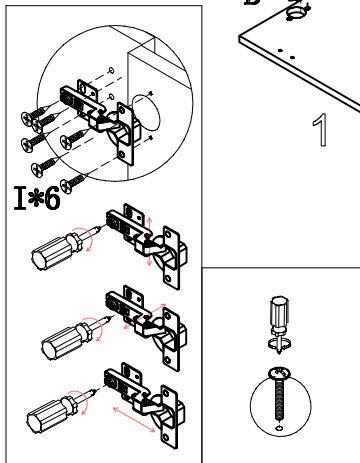
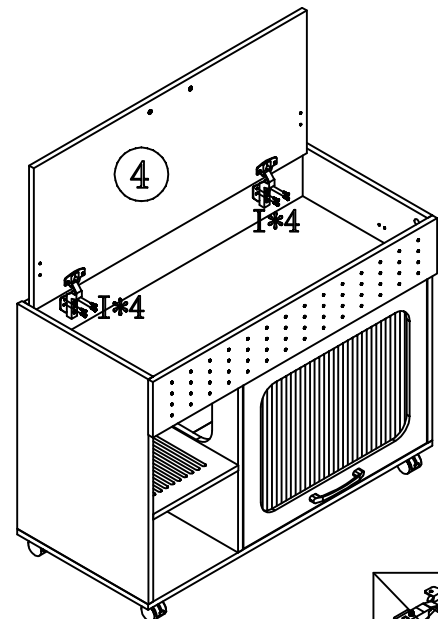
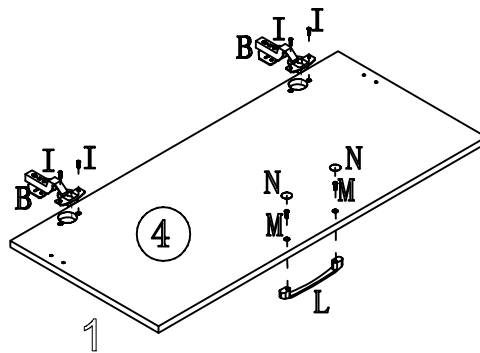
Step 13

	 M3. 5*14mm
(k) x2pcs	(l) x10pcs



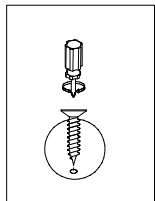
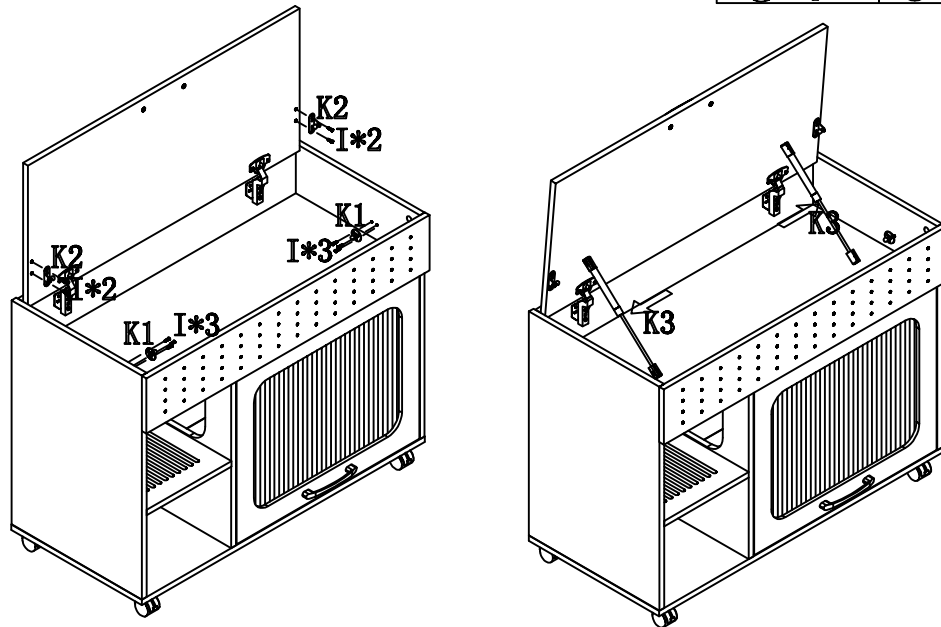
Step 14

	 M3. 5*14mm	 128	 M4*16mm	 Ø20mm
(B) x2pcs	(I) x12pcs	(L) x1pc	(M) x2pcs	(N) x2pcs



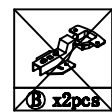
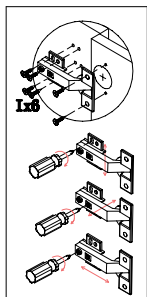
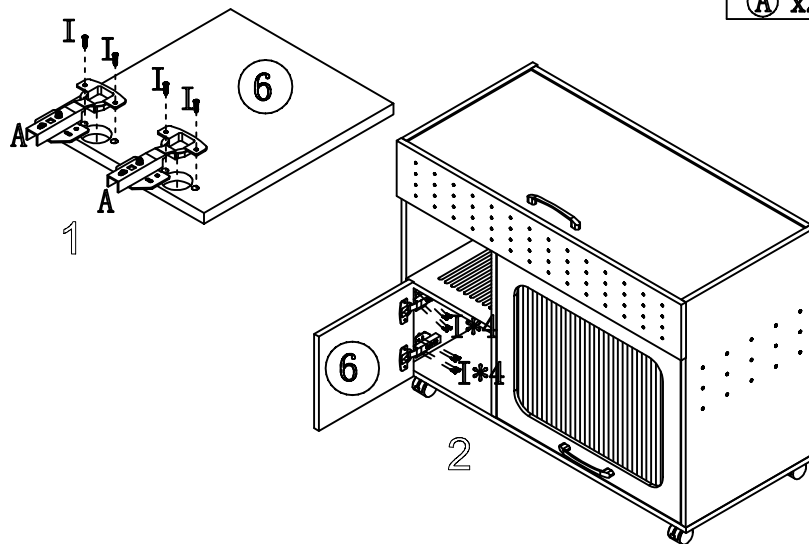
Step 15

M3.5*14mm	
(K) x2pcs	(I) x10pcs

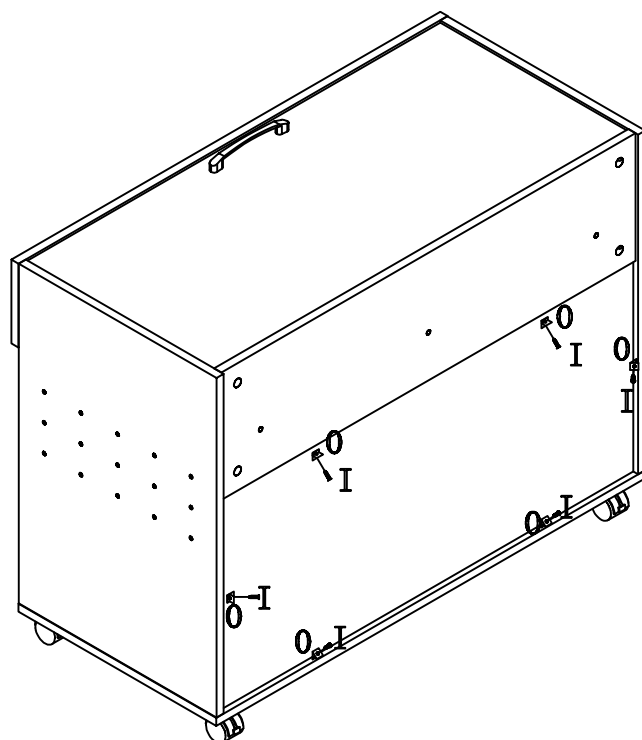


Step 16

M3.5*14mm	
(A) x2pcs	(I) x12pcs



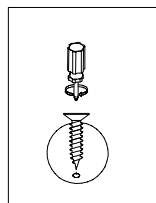
Step 17



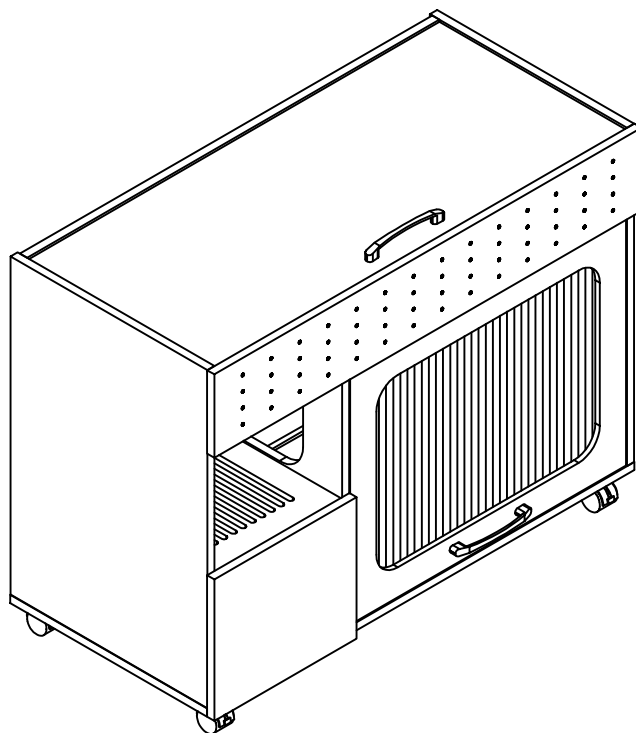
M3.5*14mm

① x6pcs

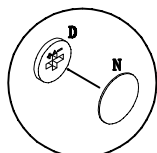
① x6pcs



Step 18



① x26pcs



After installing the product, stick the number N on the perforated position