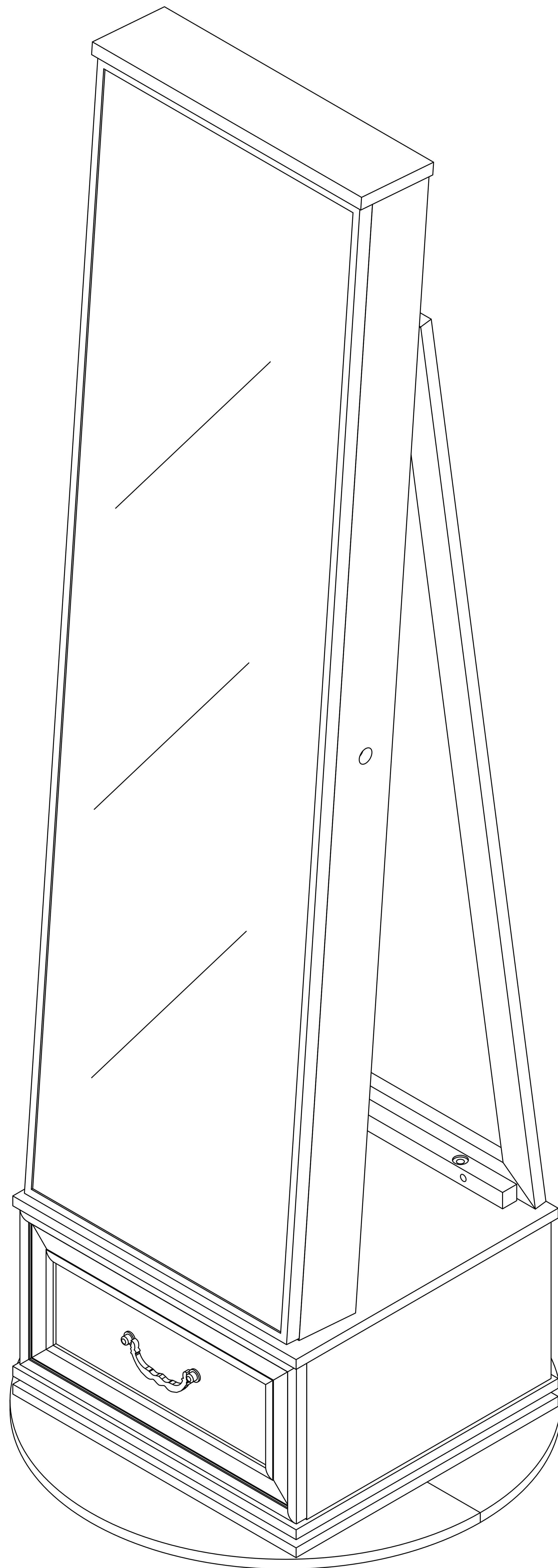
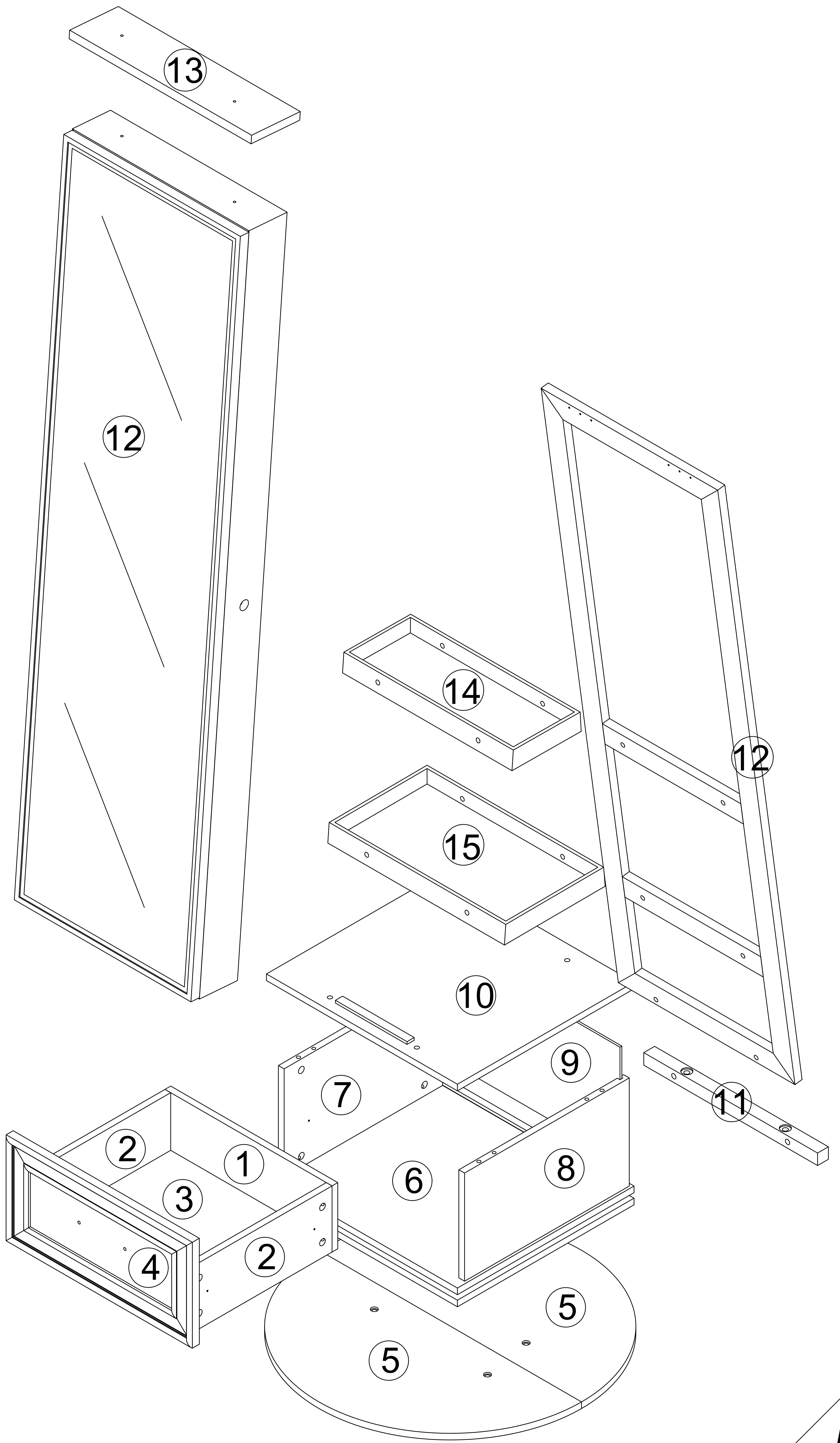
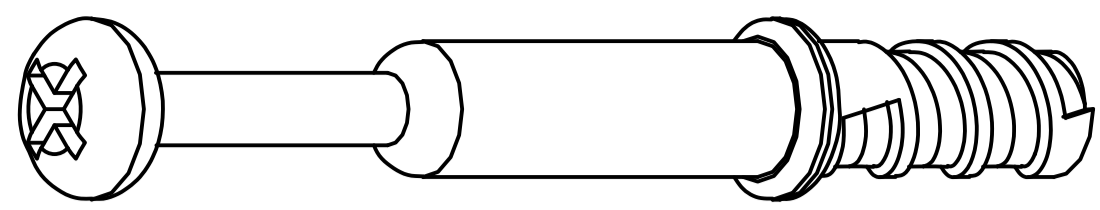
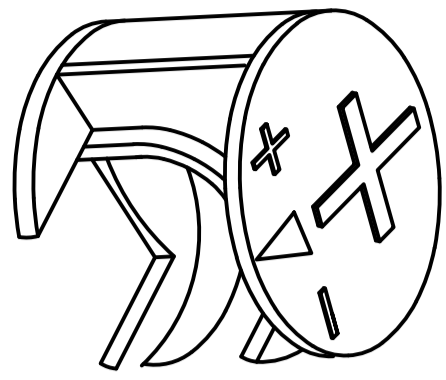
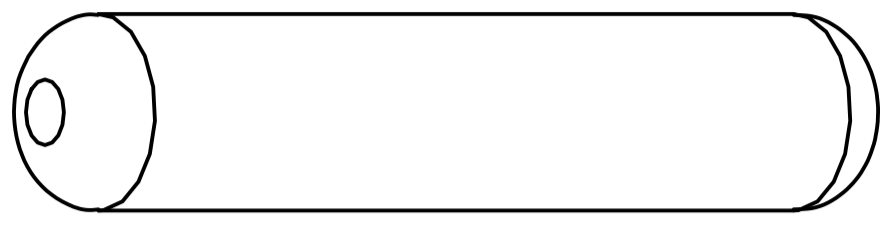
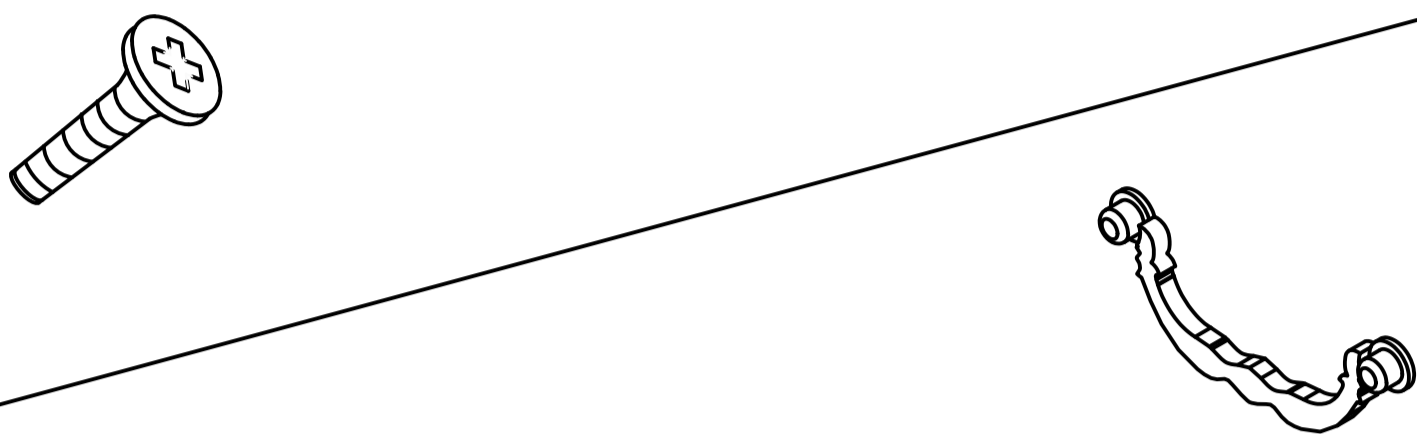
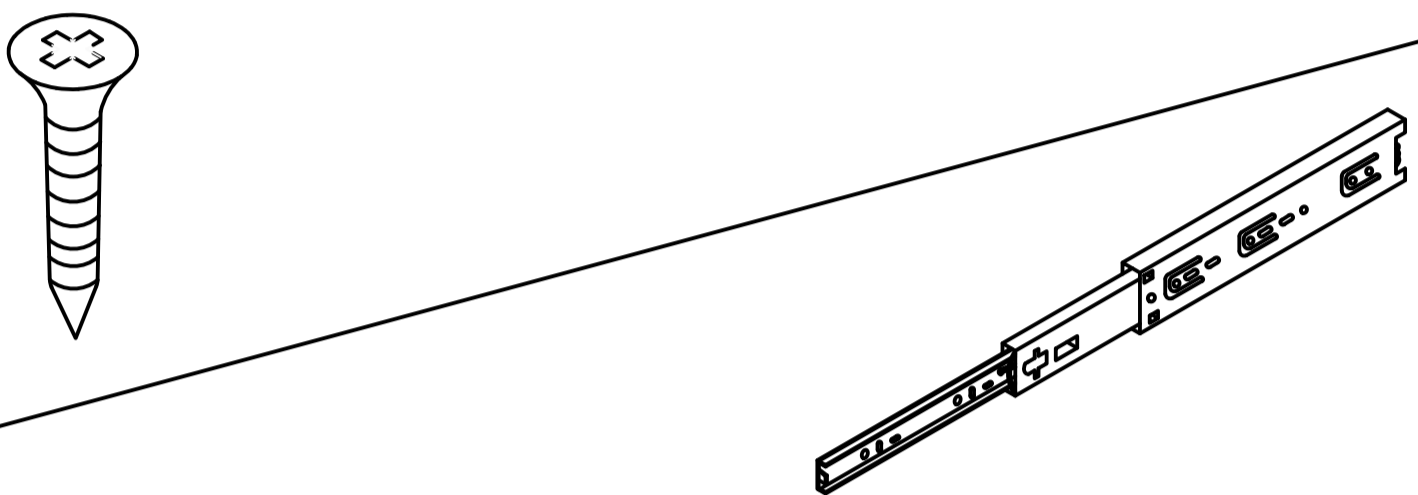
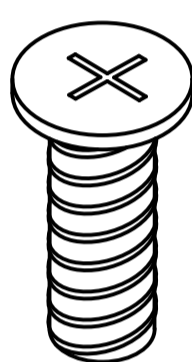
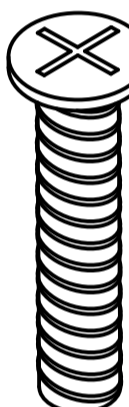

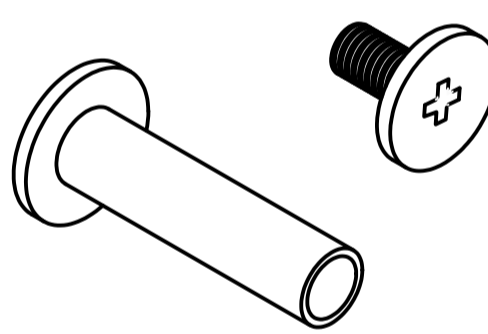
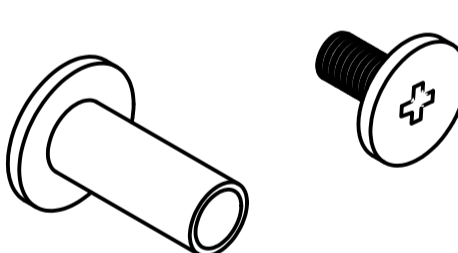
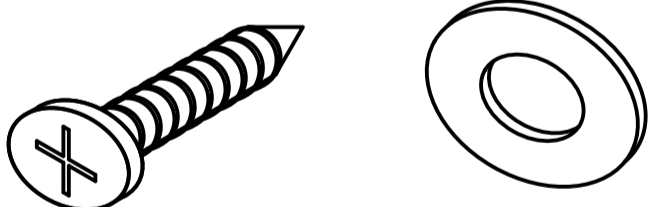
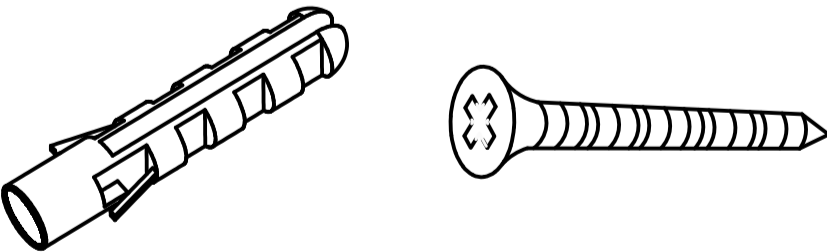
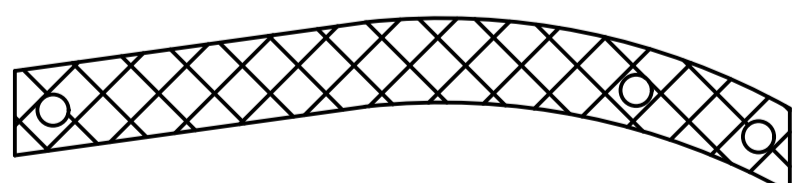
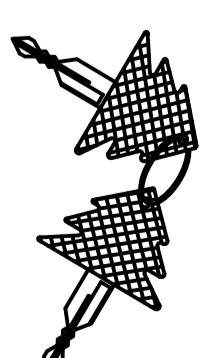
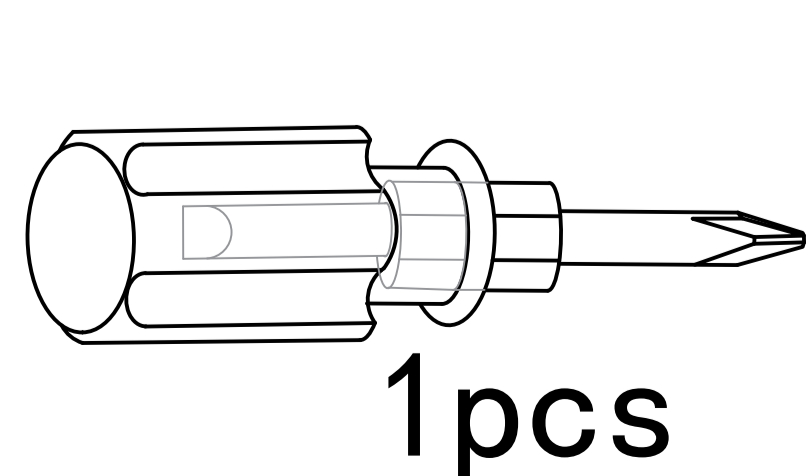


67026 MIRROR JEWELLERY CABINET





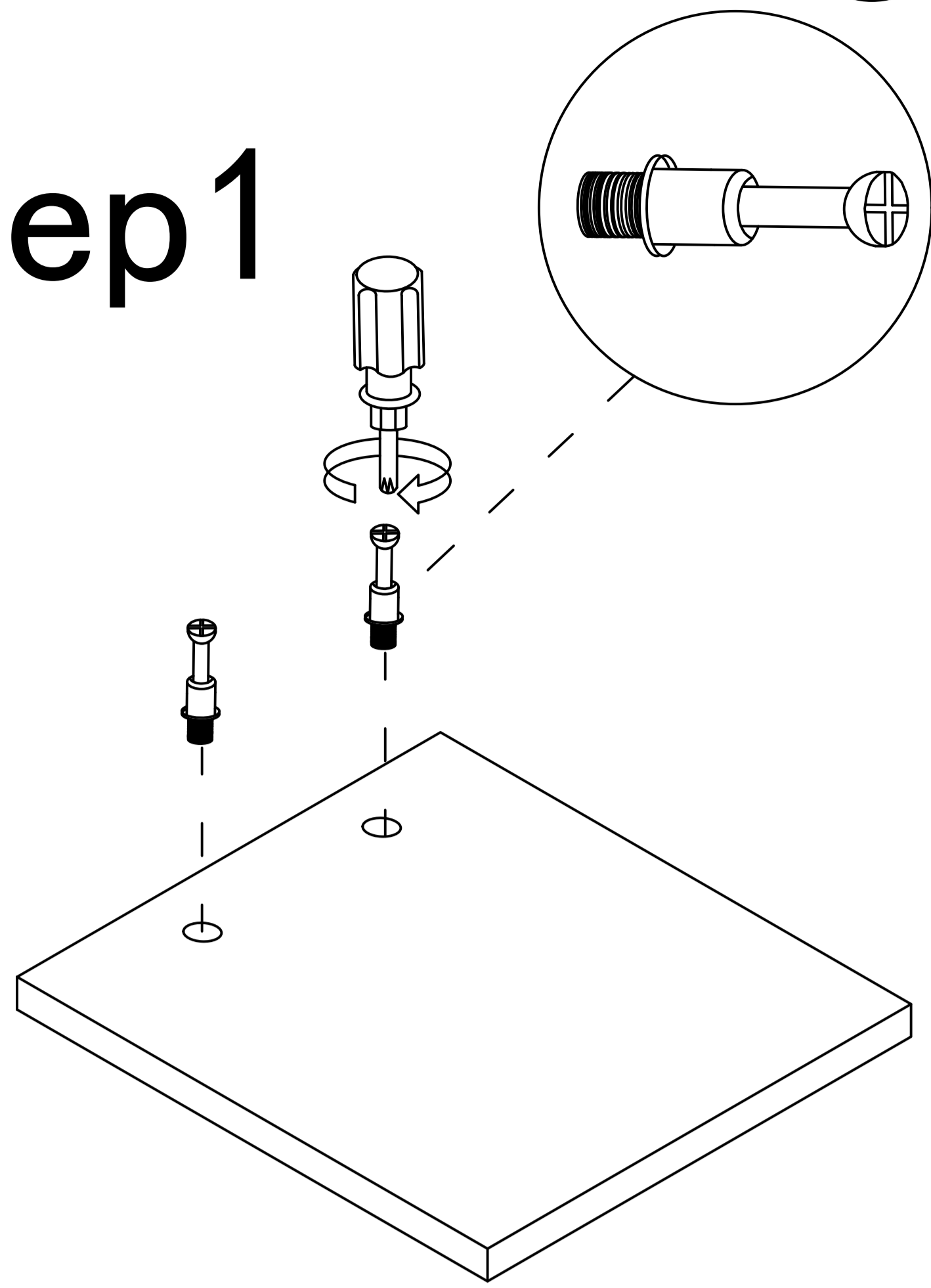
A		Two In One Screw (6x28mm)	16pcs +2pcs
B		Two In One Nut (10x12mm)	16pcs +2pcs
C		Wood Chipping (6x30mm)	8pcs +1pcs
D		Screw & Handle (4x8mm)	2pcs 1pcs
E		Screw & Guide (3x12mm)	10pcs +2pcs 2pcs
F		Screw (6x22mm)	4pcs
G		Screw (6x30mm)	6pcs
H		Screw (3.5x20mm)	2pcs
I		Pair the lock screws (5x20mm)	4pcs +1pcs
J		Pair the lock screws (5x10mm)	4pcs +1pcs
K		Self tapping wire (3x16mm)	1pcs
L		Colloidal granules/Self tapping wire (4x45mm)	1pcs
M		Anti-rewind (290mm)	1pcs
N		key	1pcs



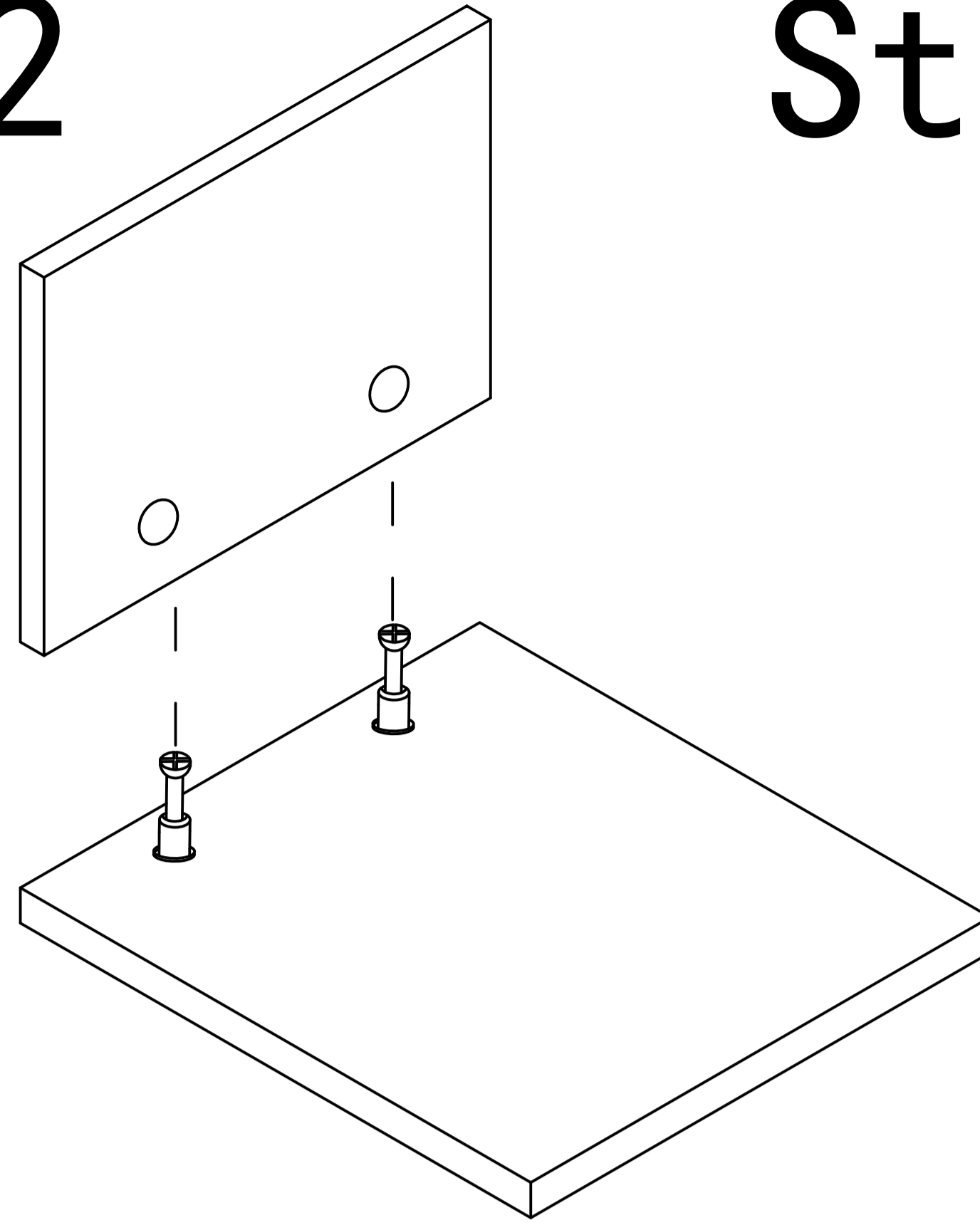
Double-head screwdriver, use as required

Use parts A and B

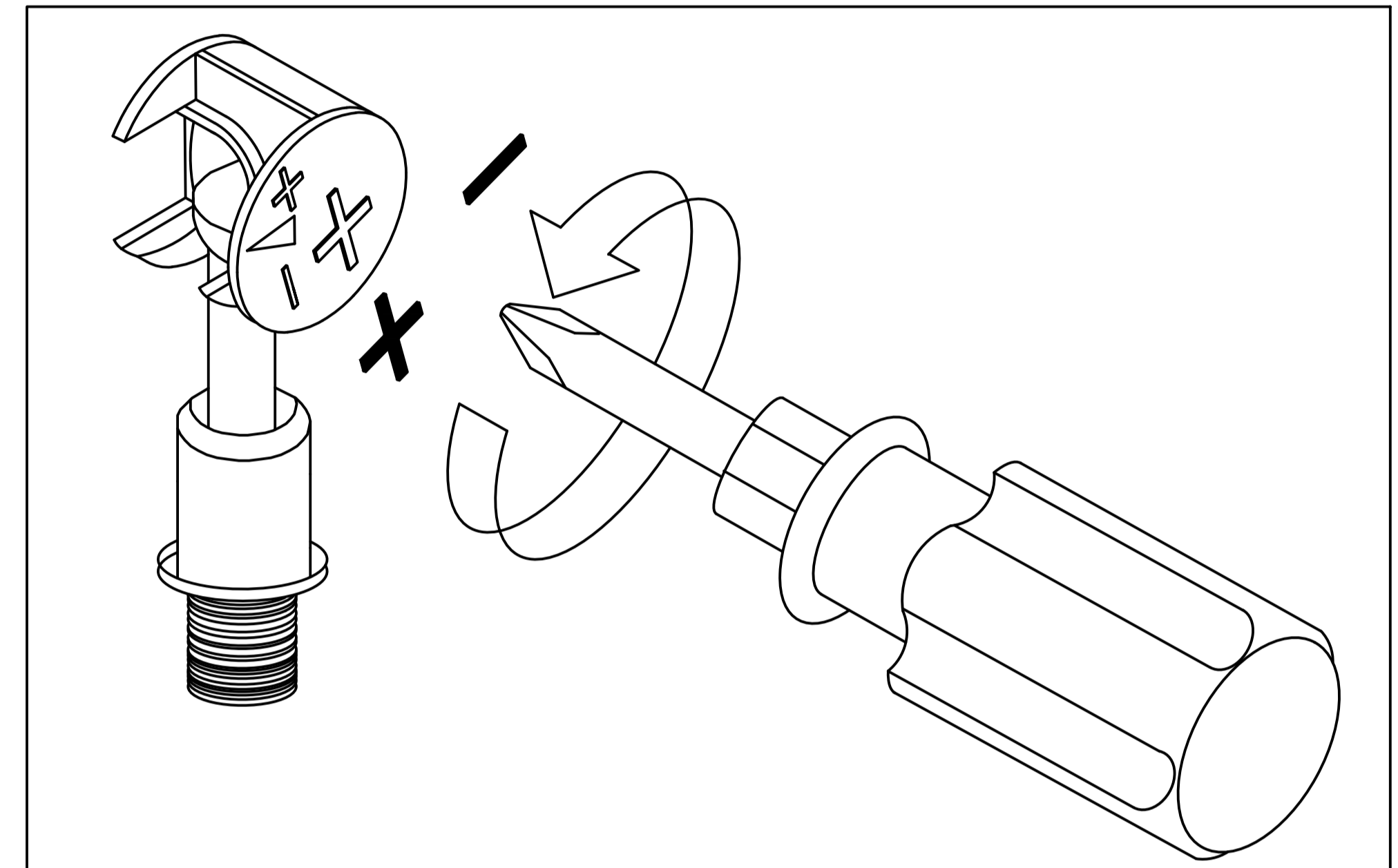
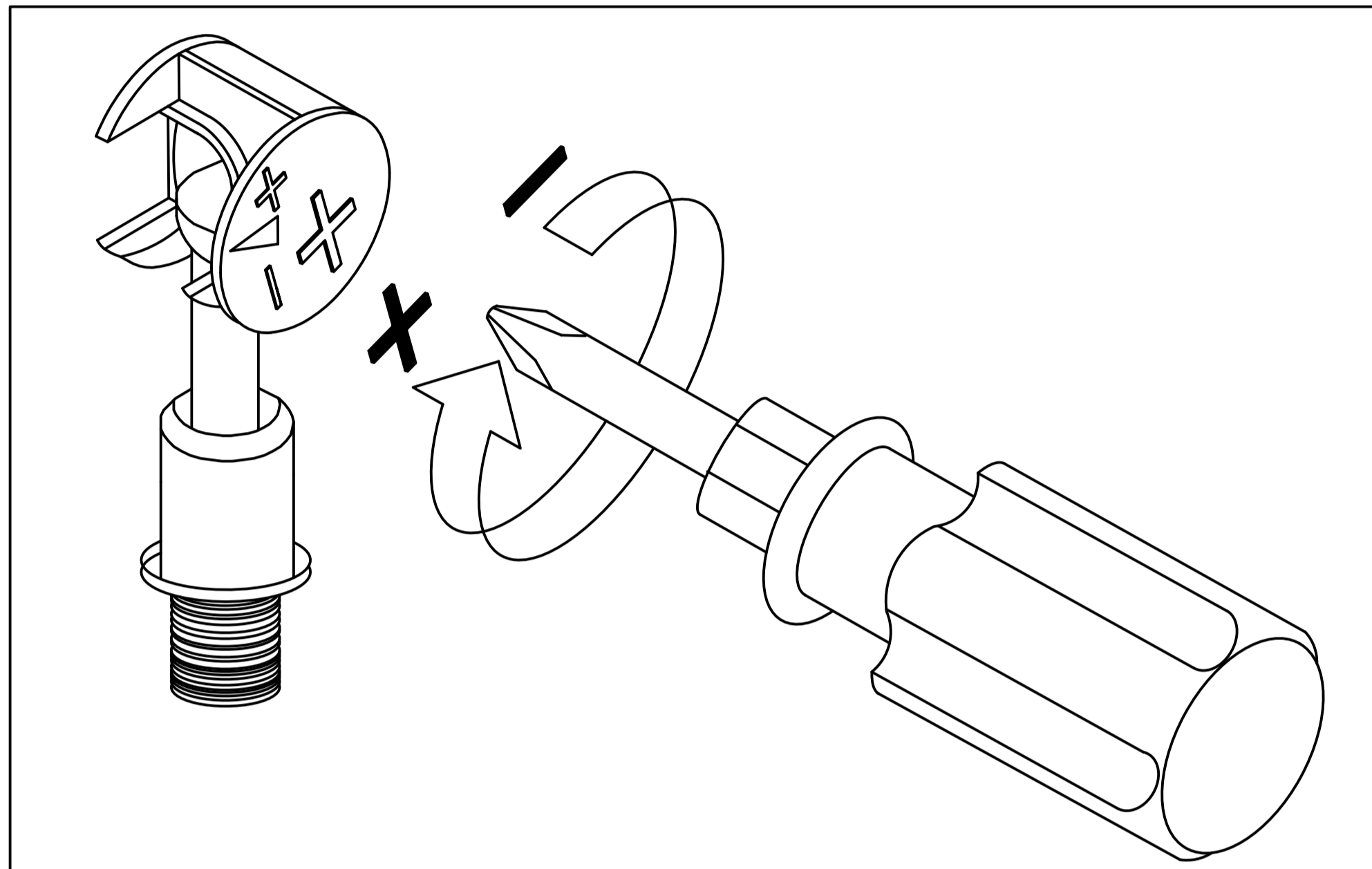
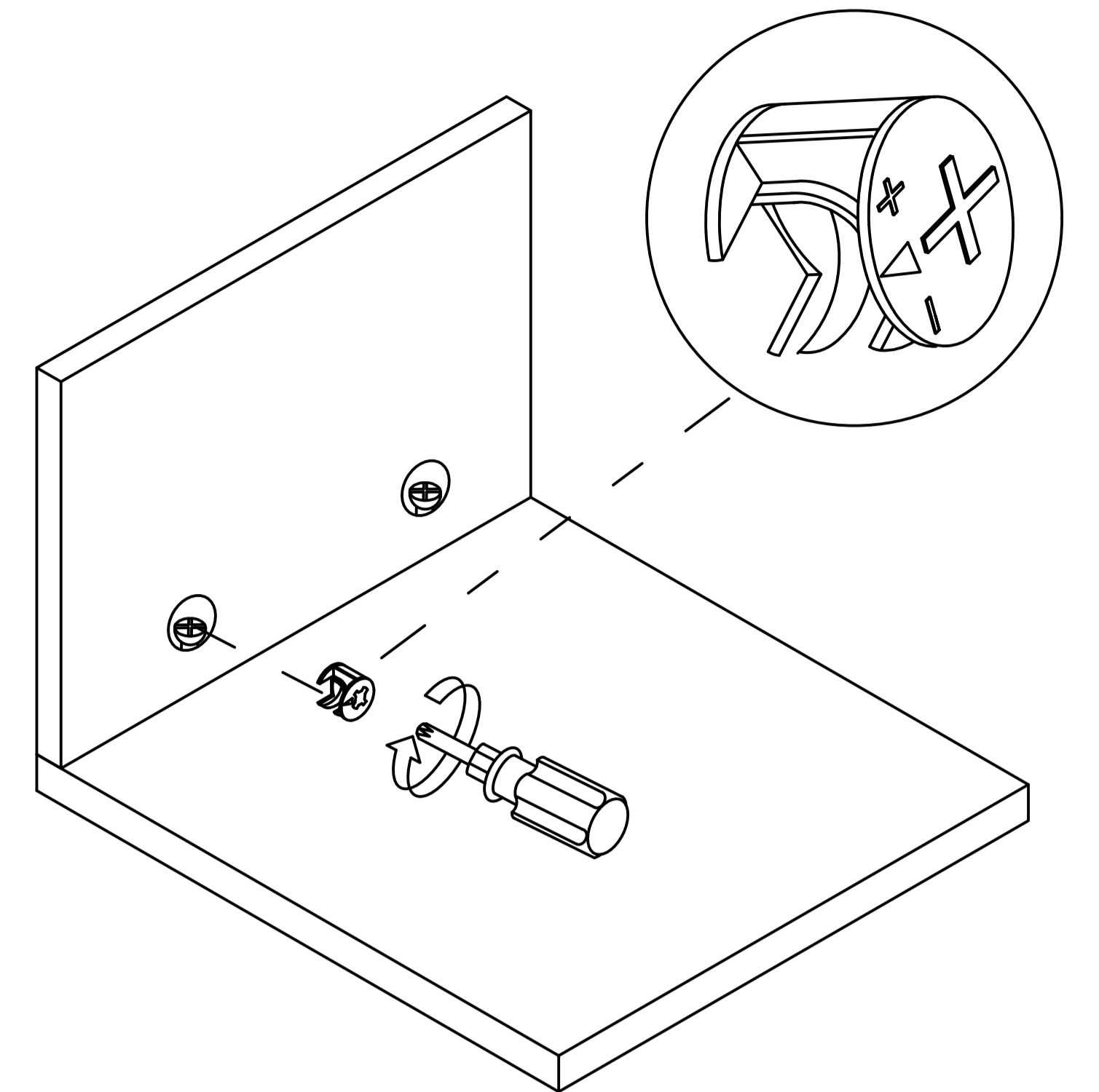
Step 1



Step 2



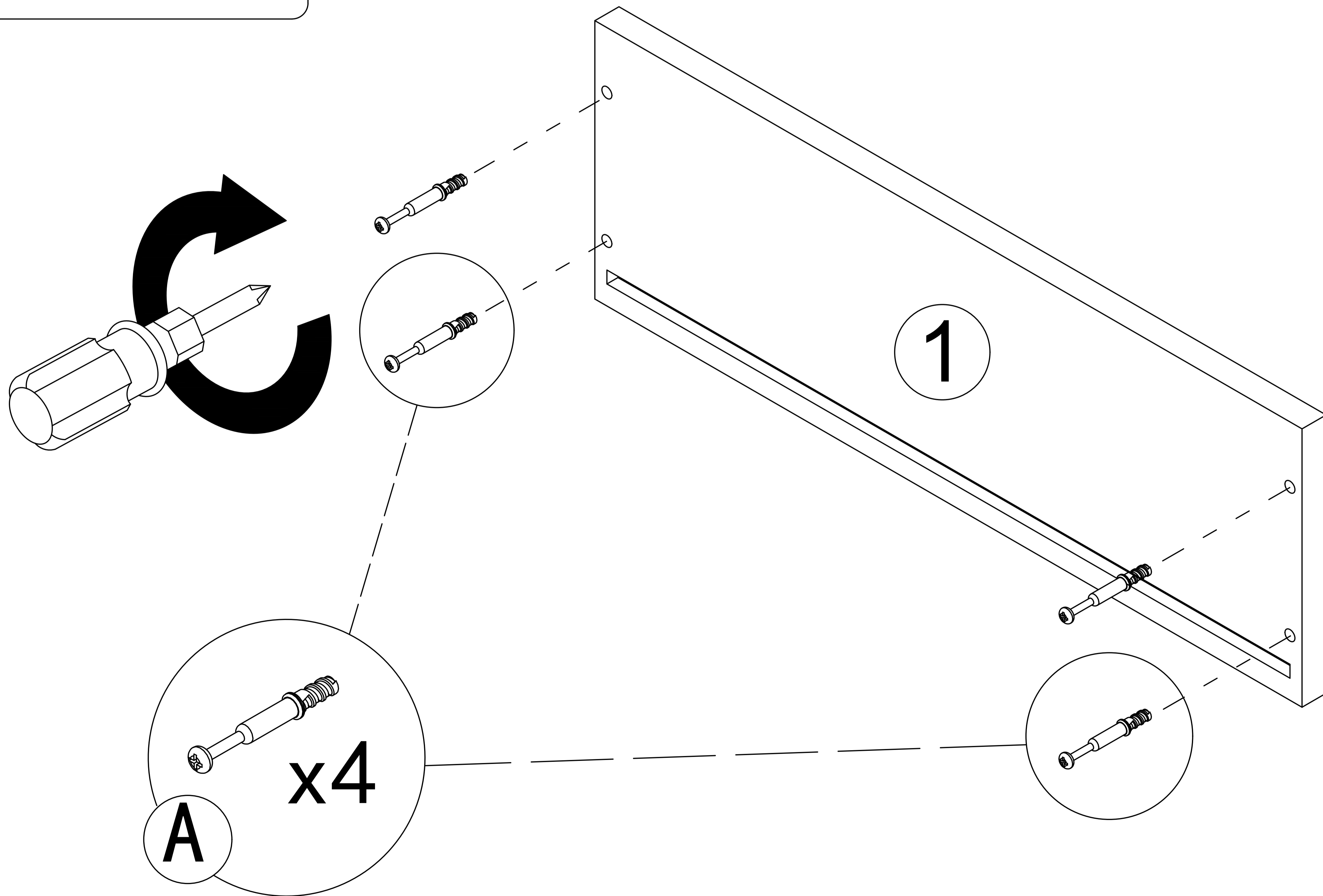
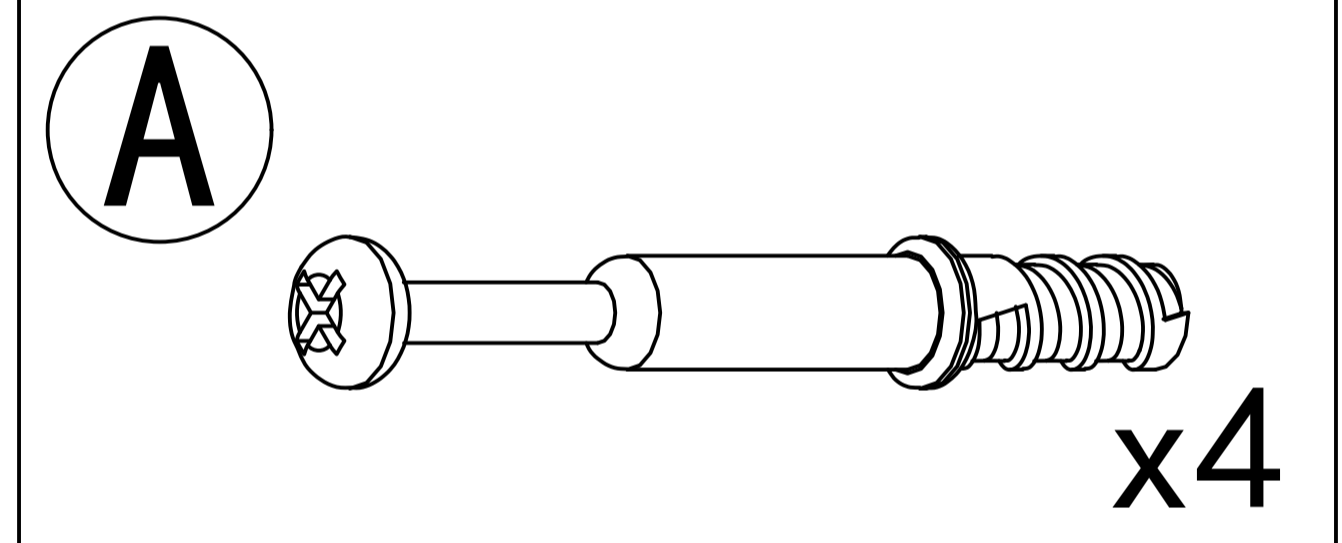
Step 3



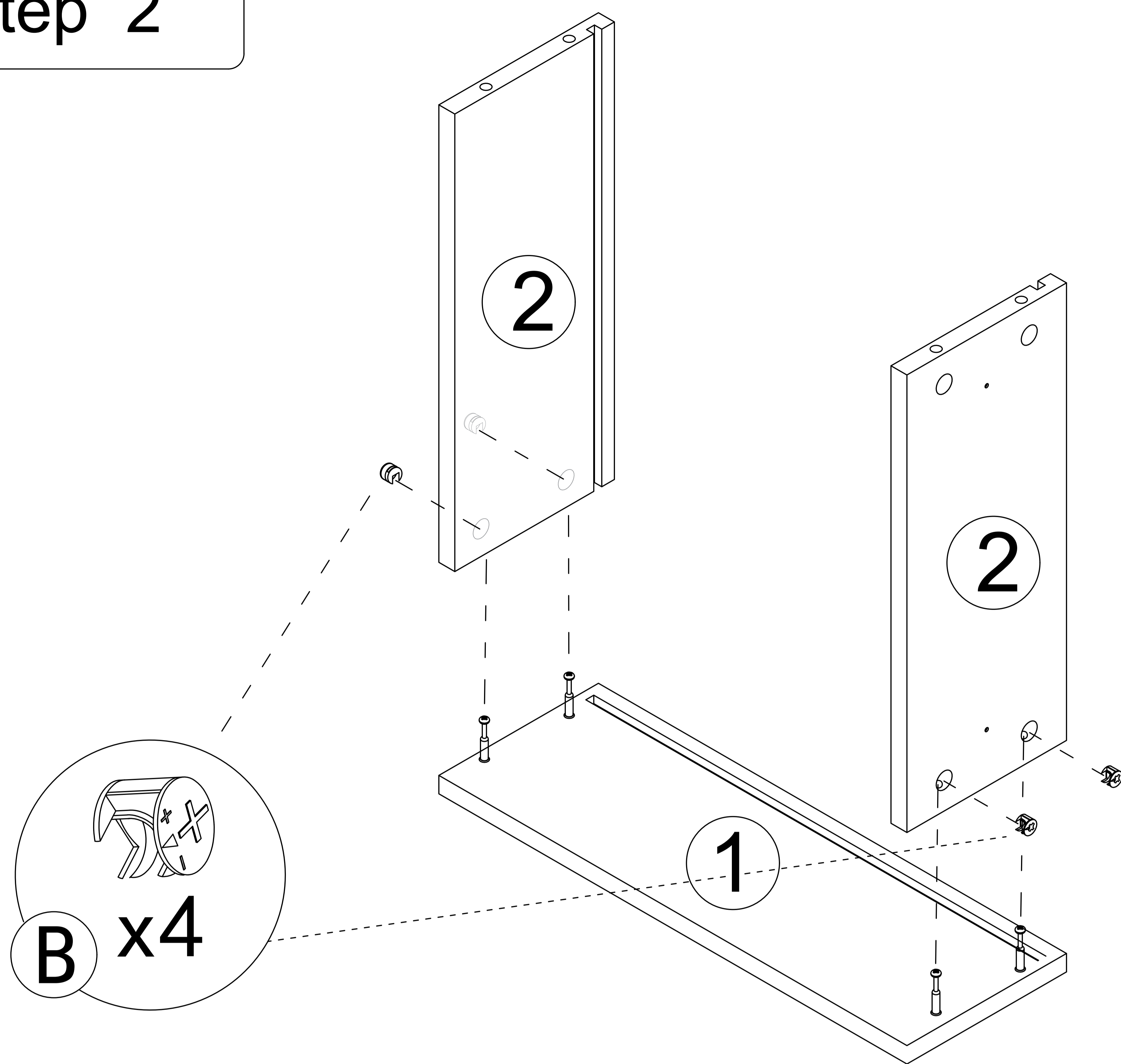
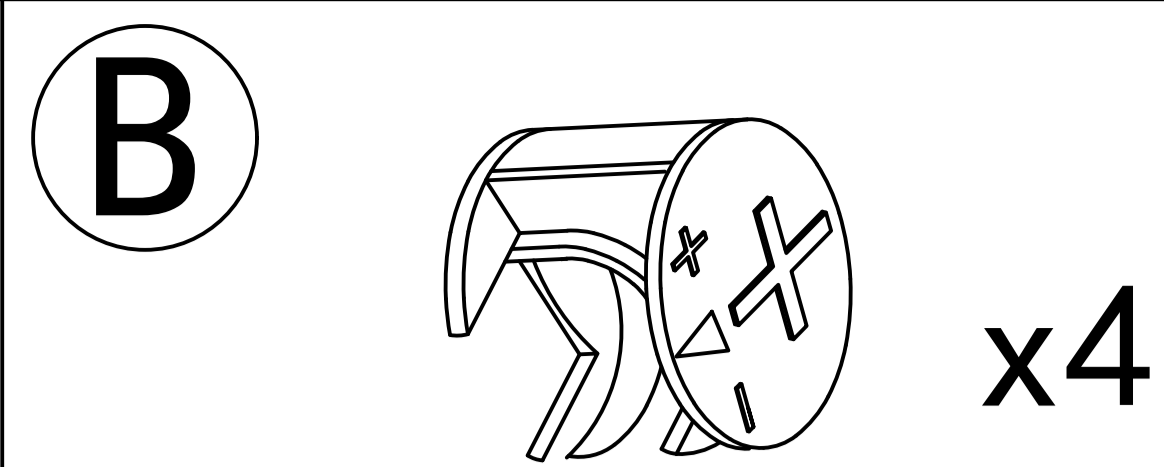
Use a screwdriver to lock in the direction of the "+" sign

Disassemble along the direction of "-" sign

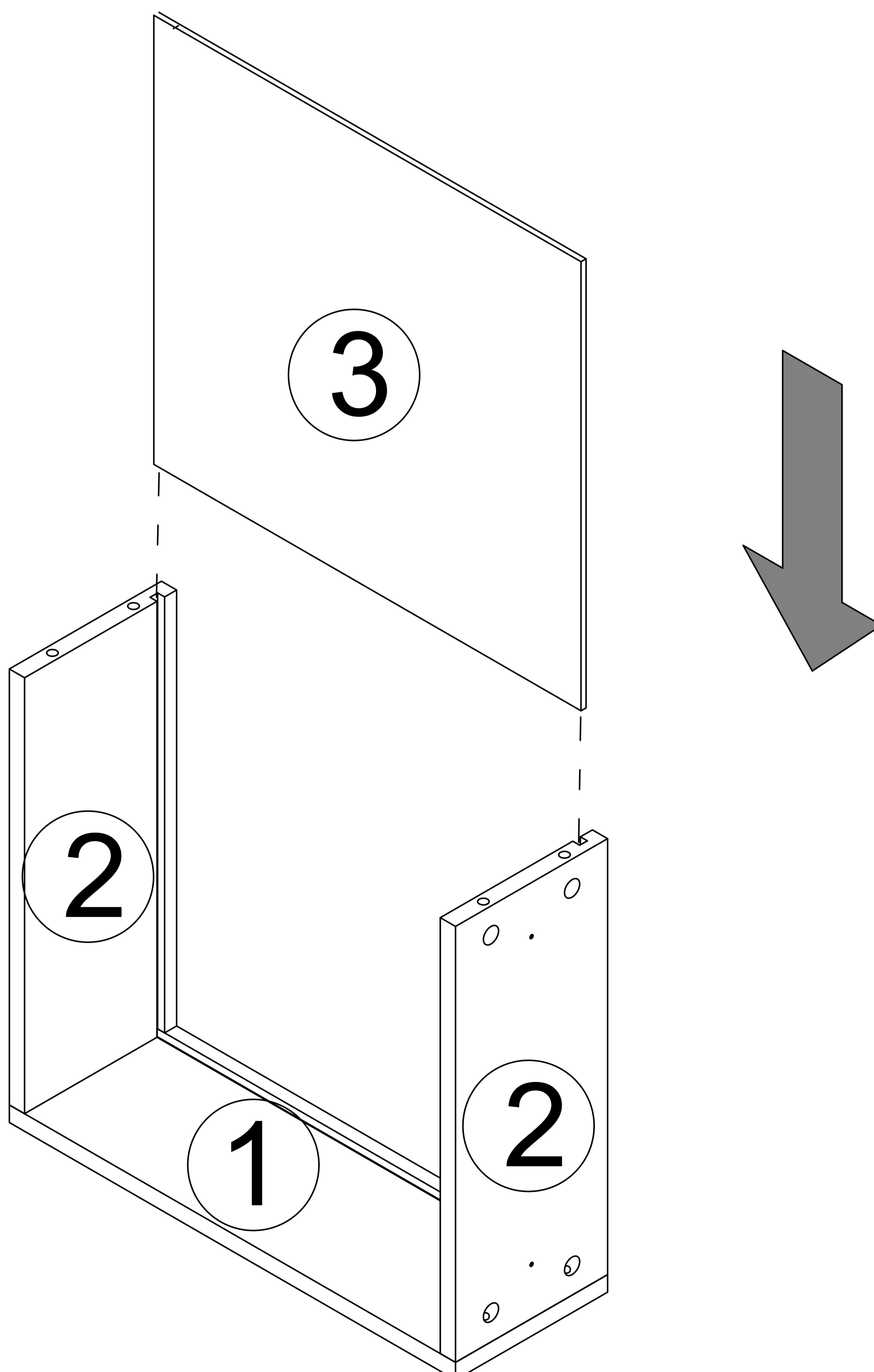
Step 1



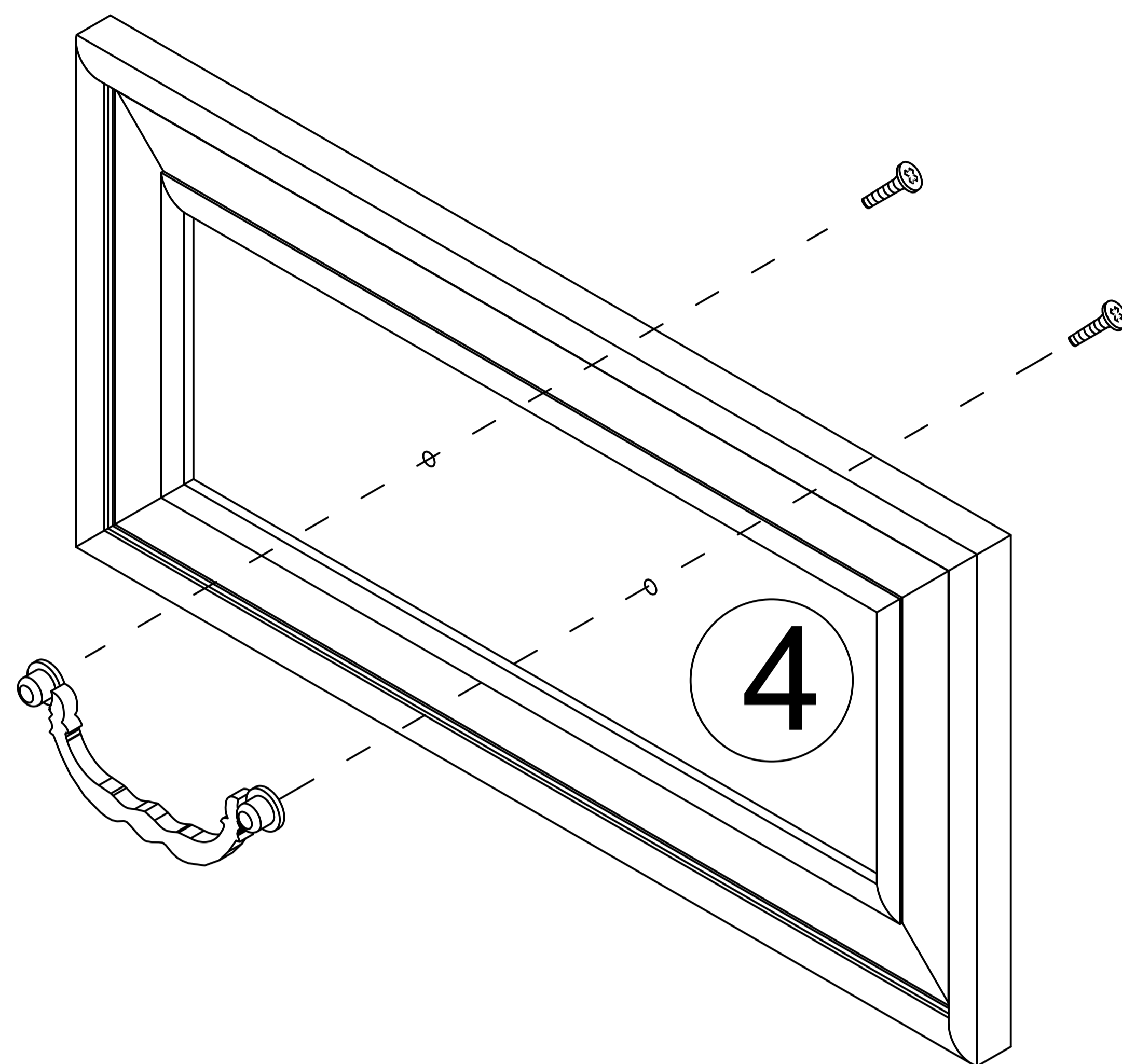
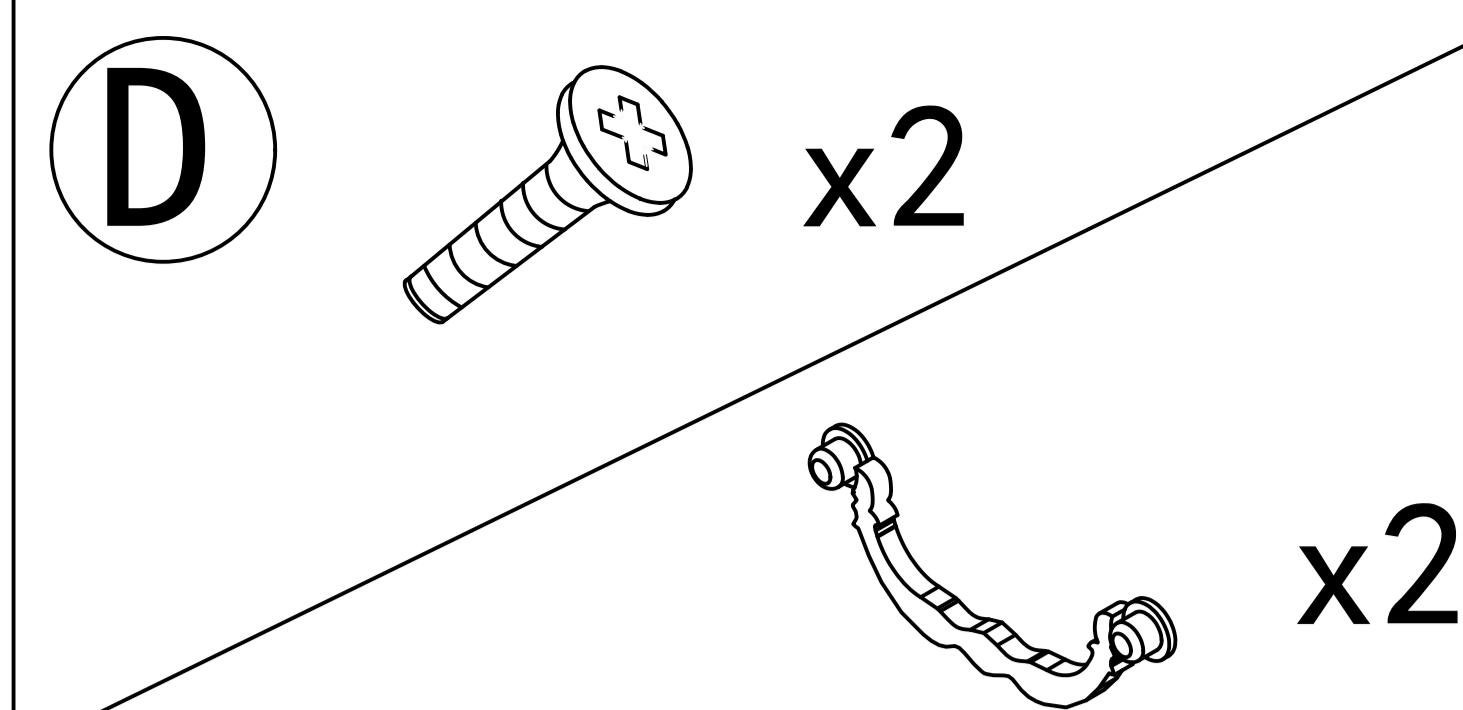
Step 2



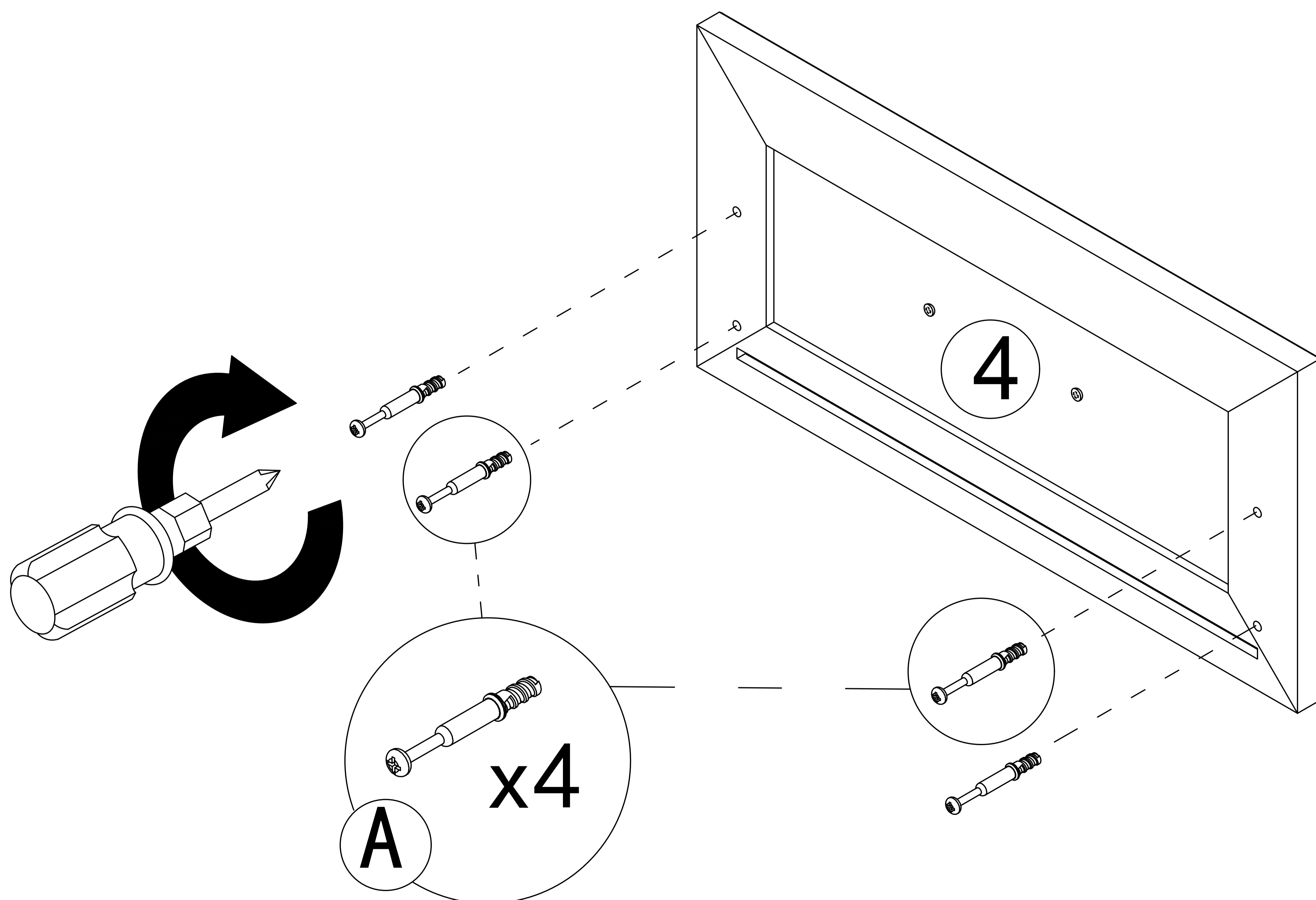
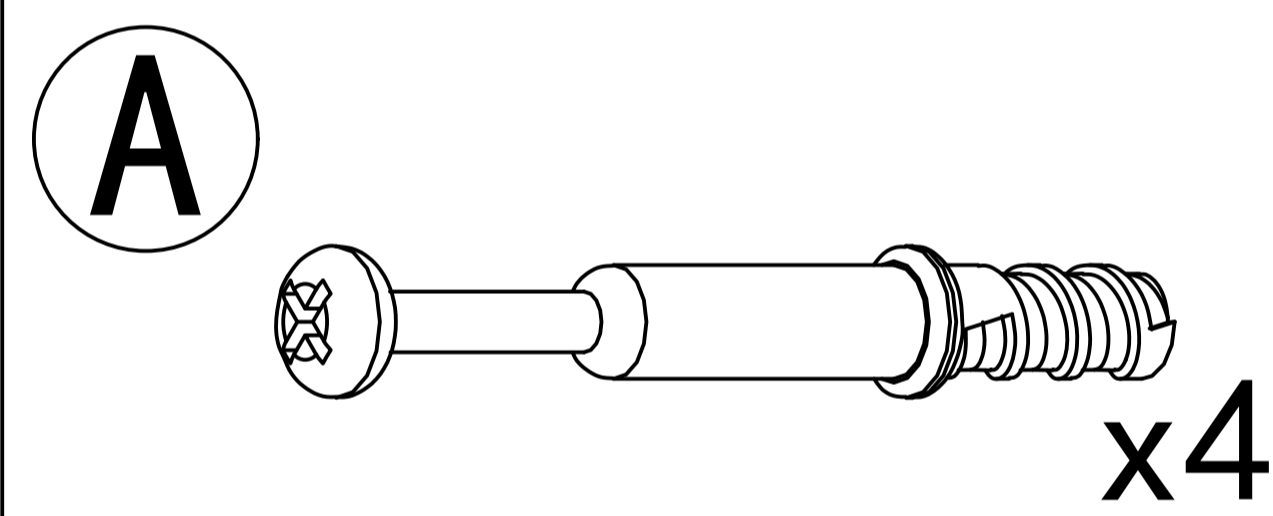
Step 3



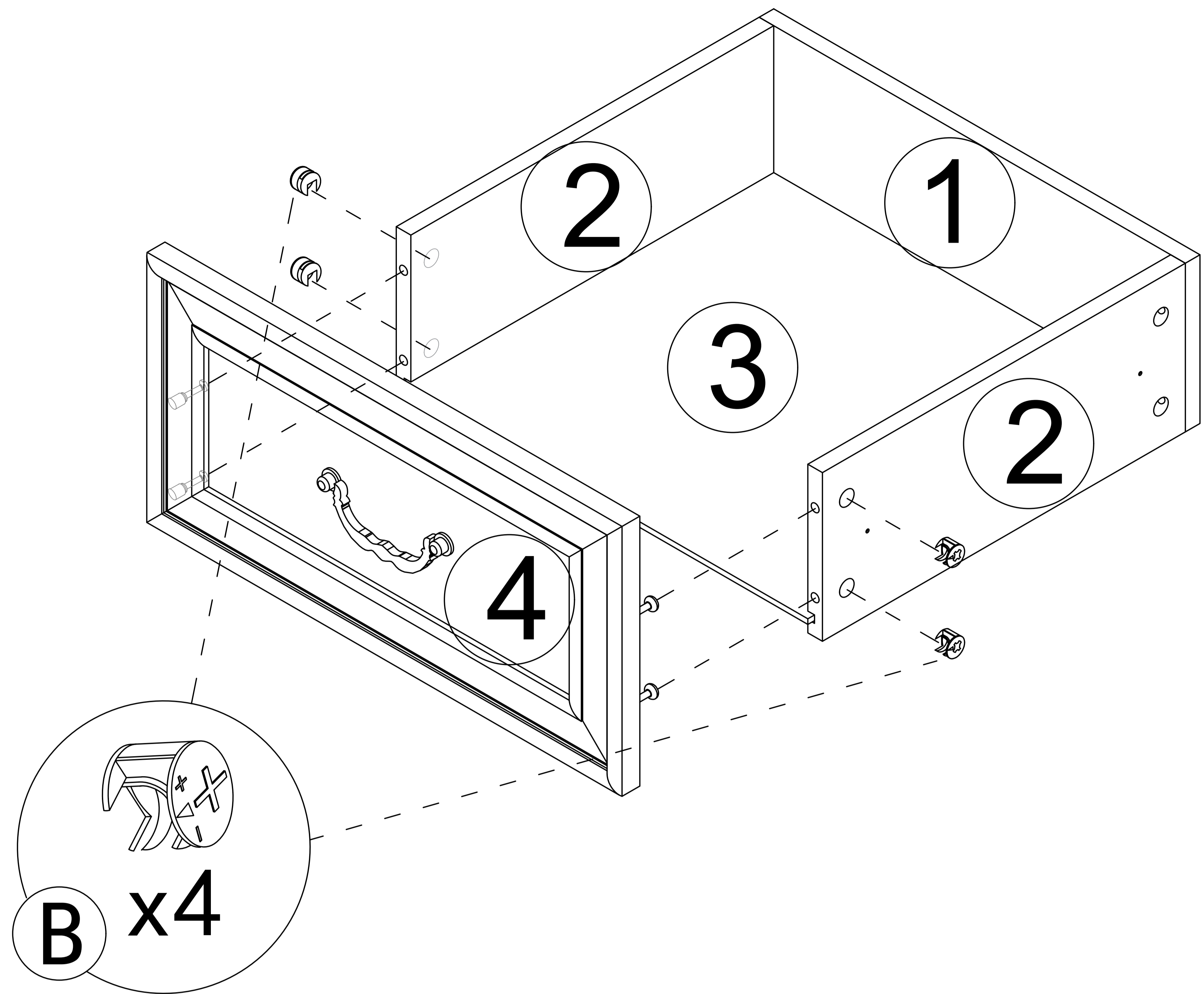
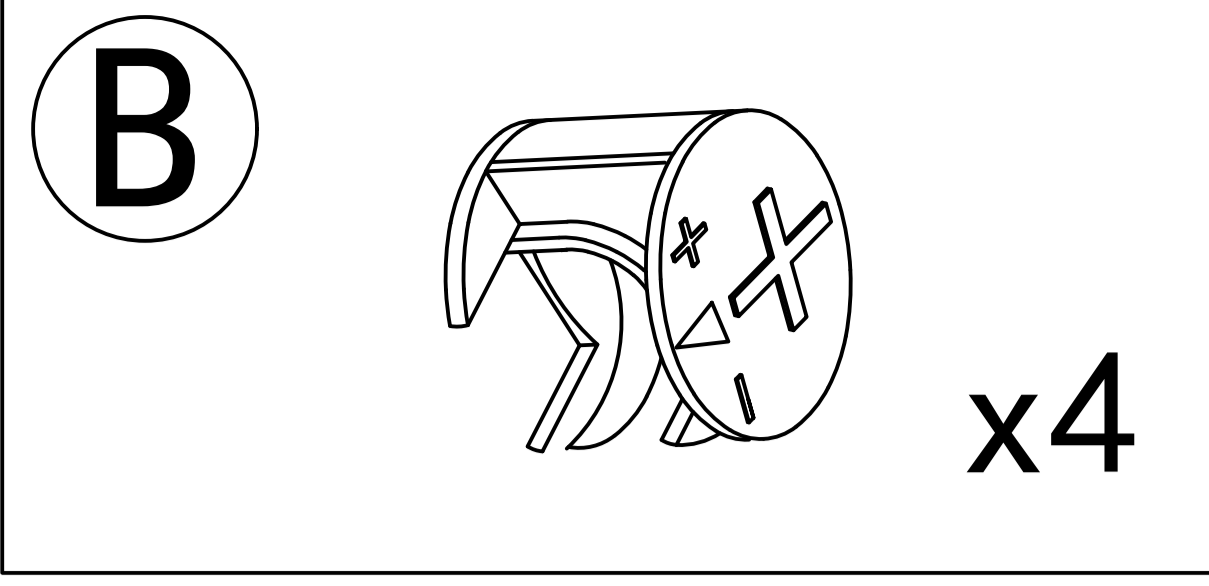
Step 4



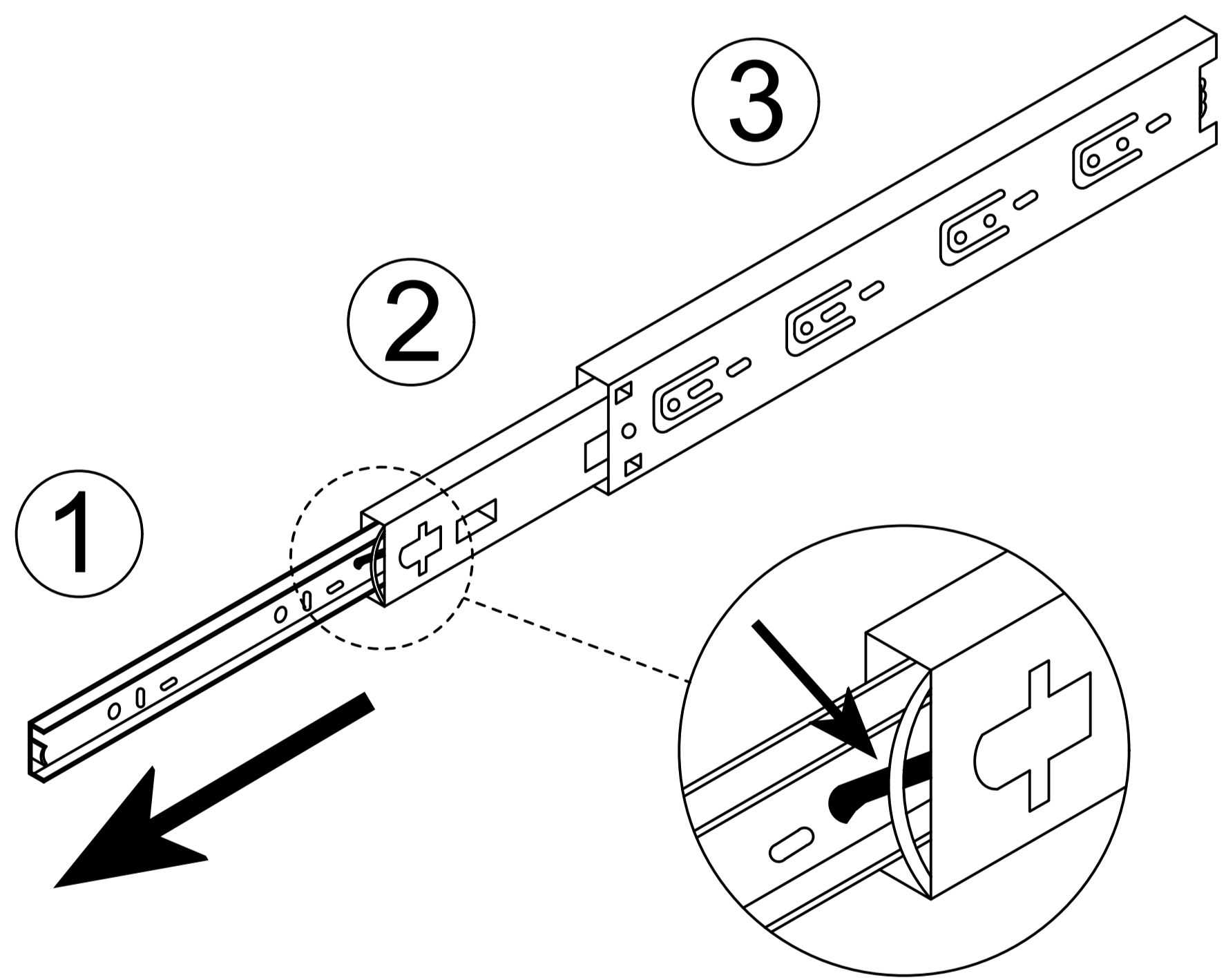
Step 5



Step 6

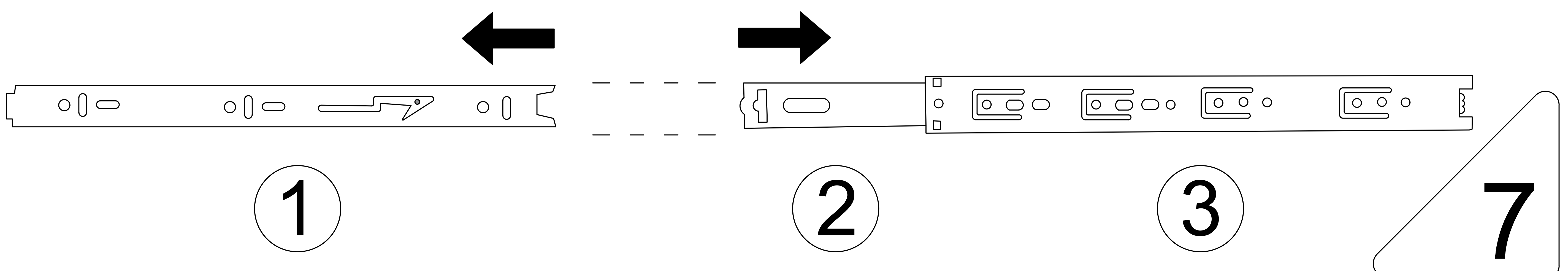
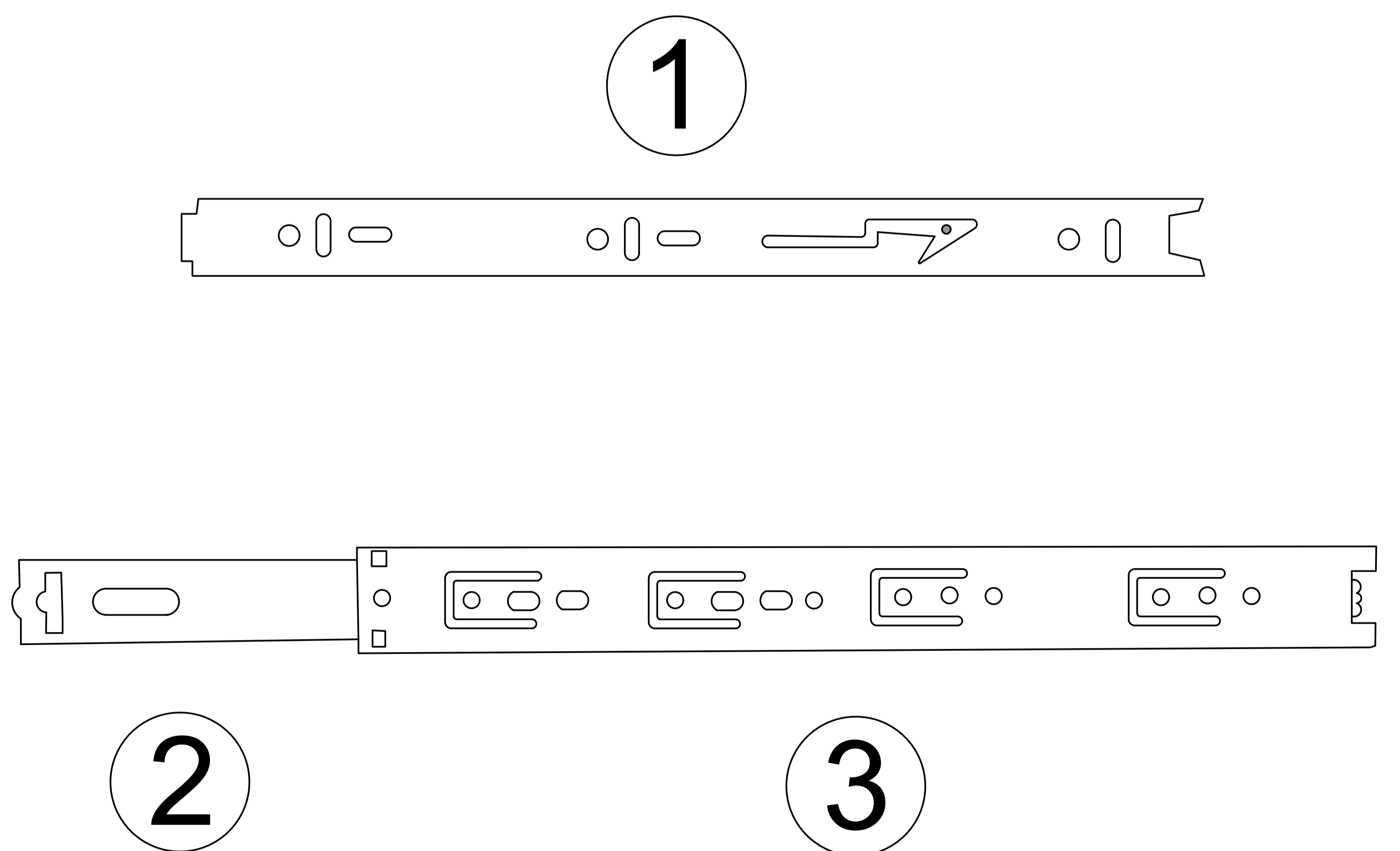


Drawer rail breakdown diagram

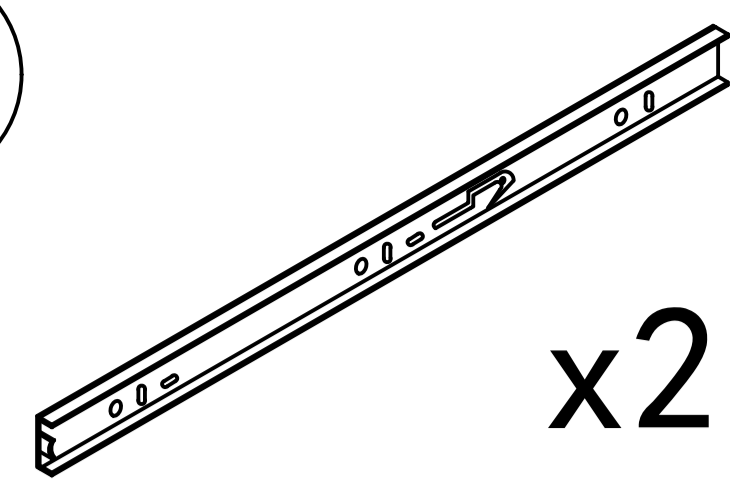
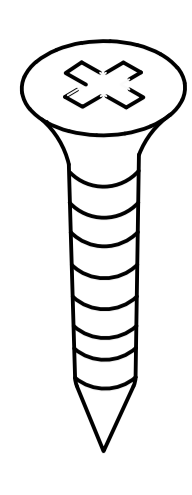


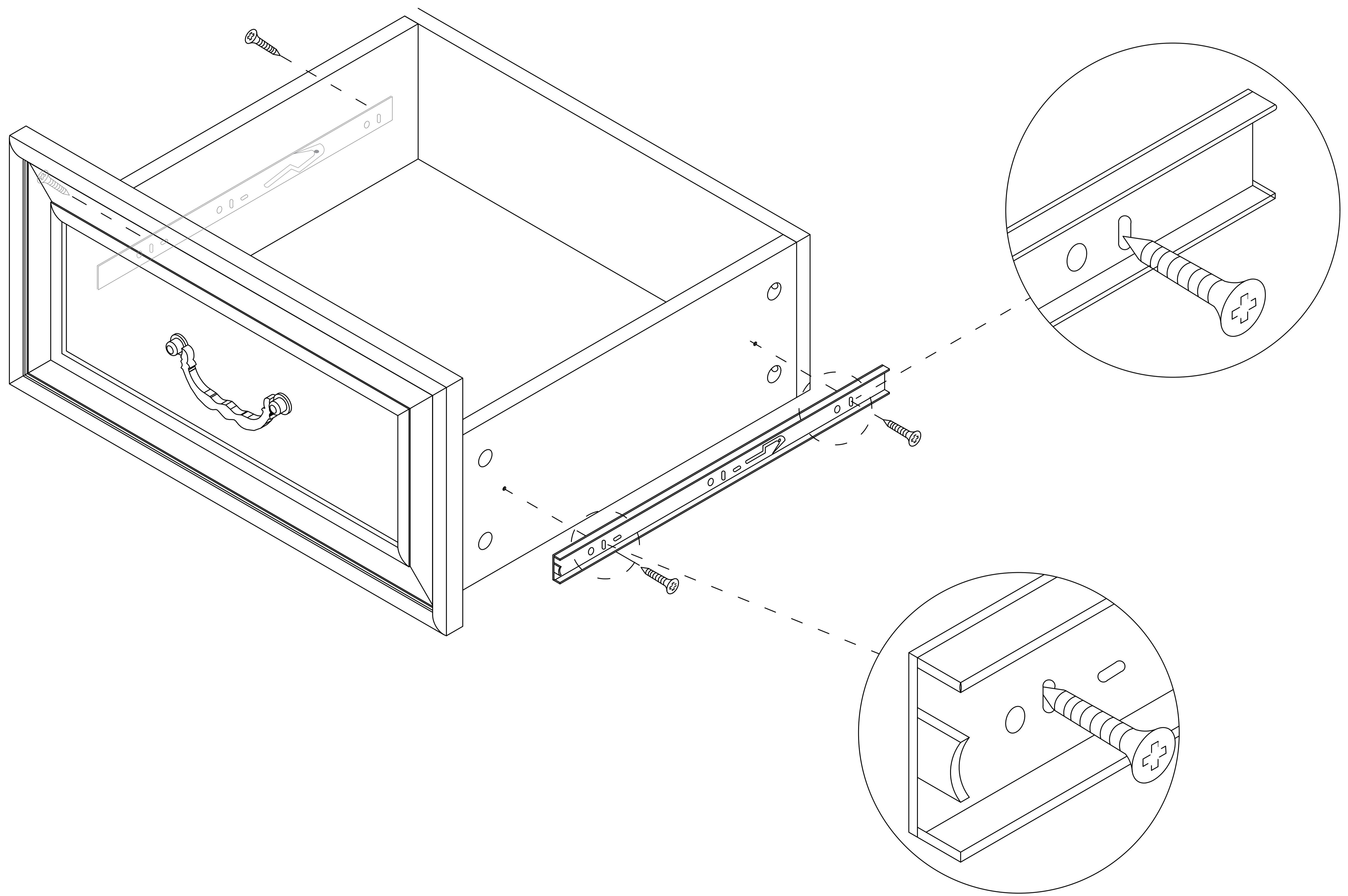
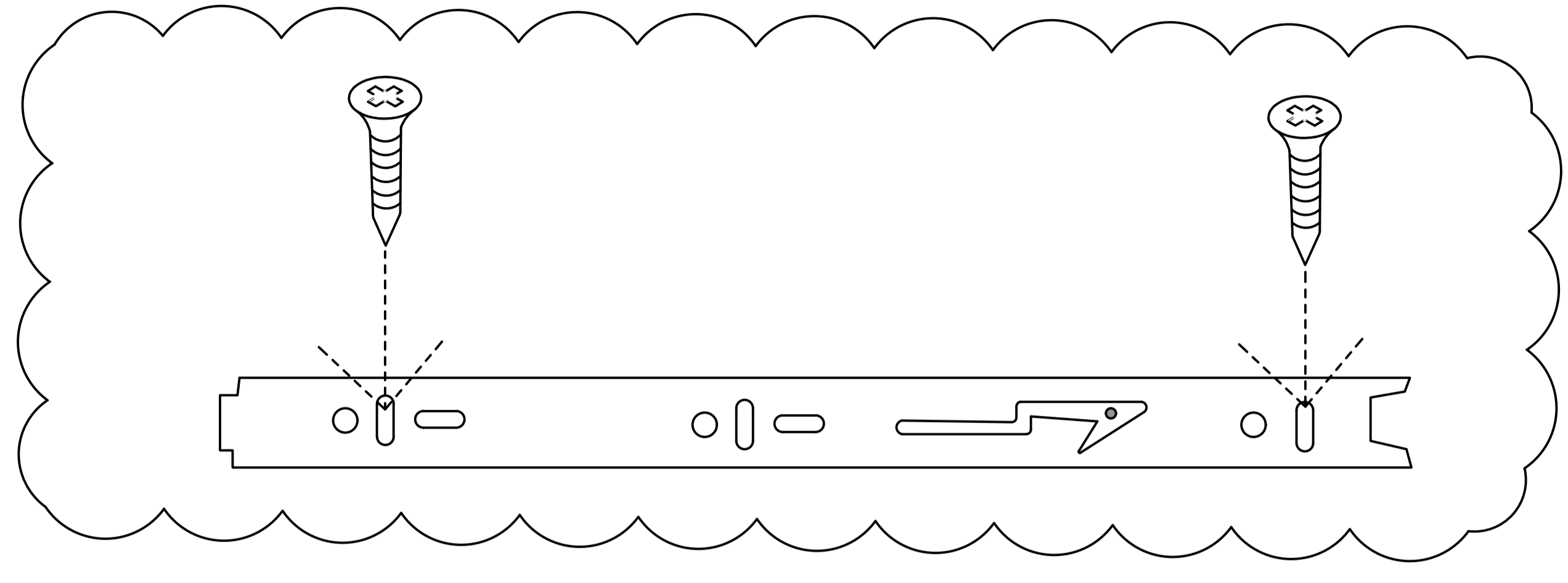
Step 1 : Pull the rails apart

Step 2 : Push the nylon buckle outward ①

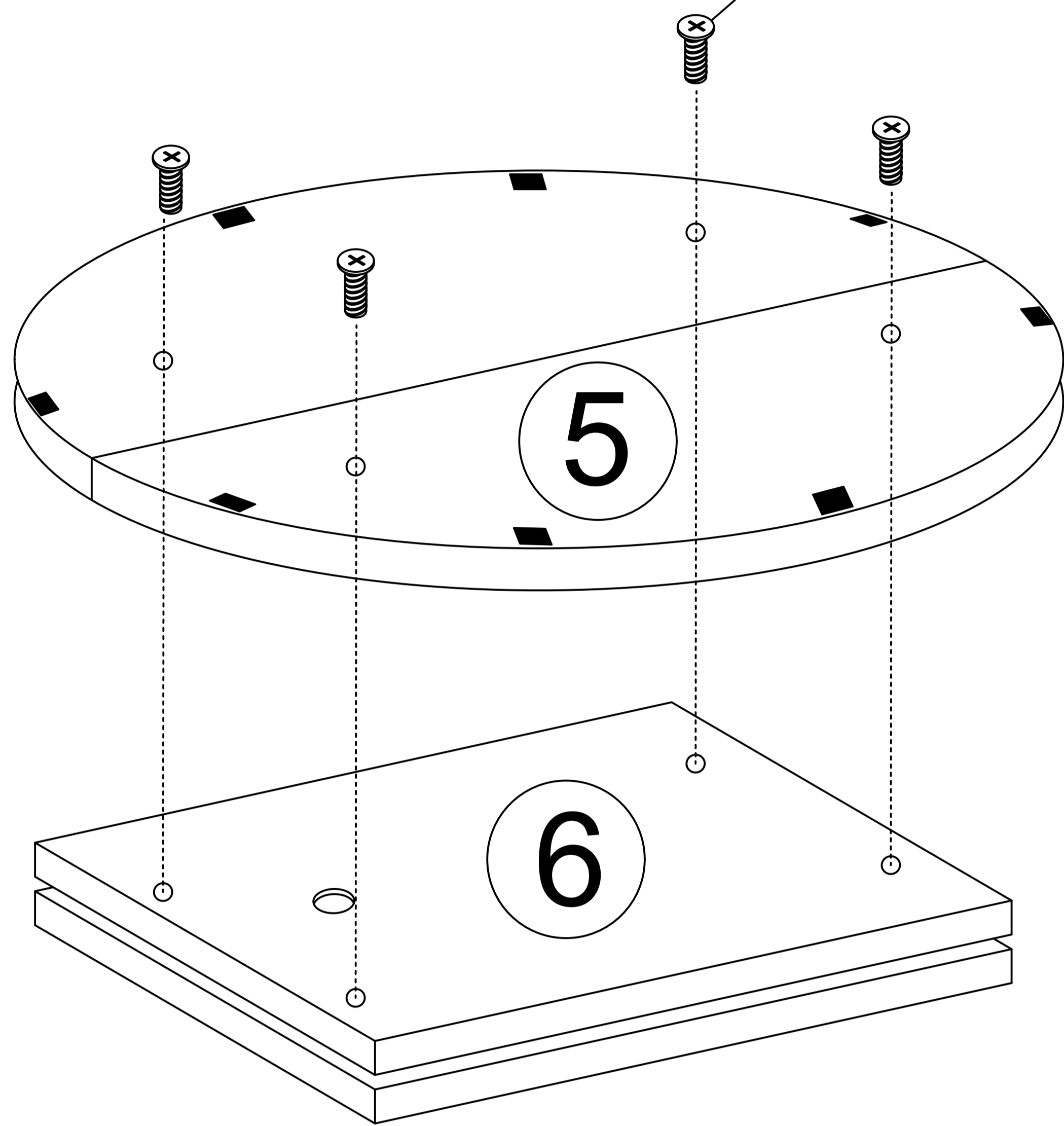
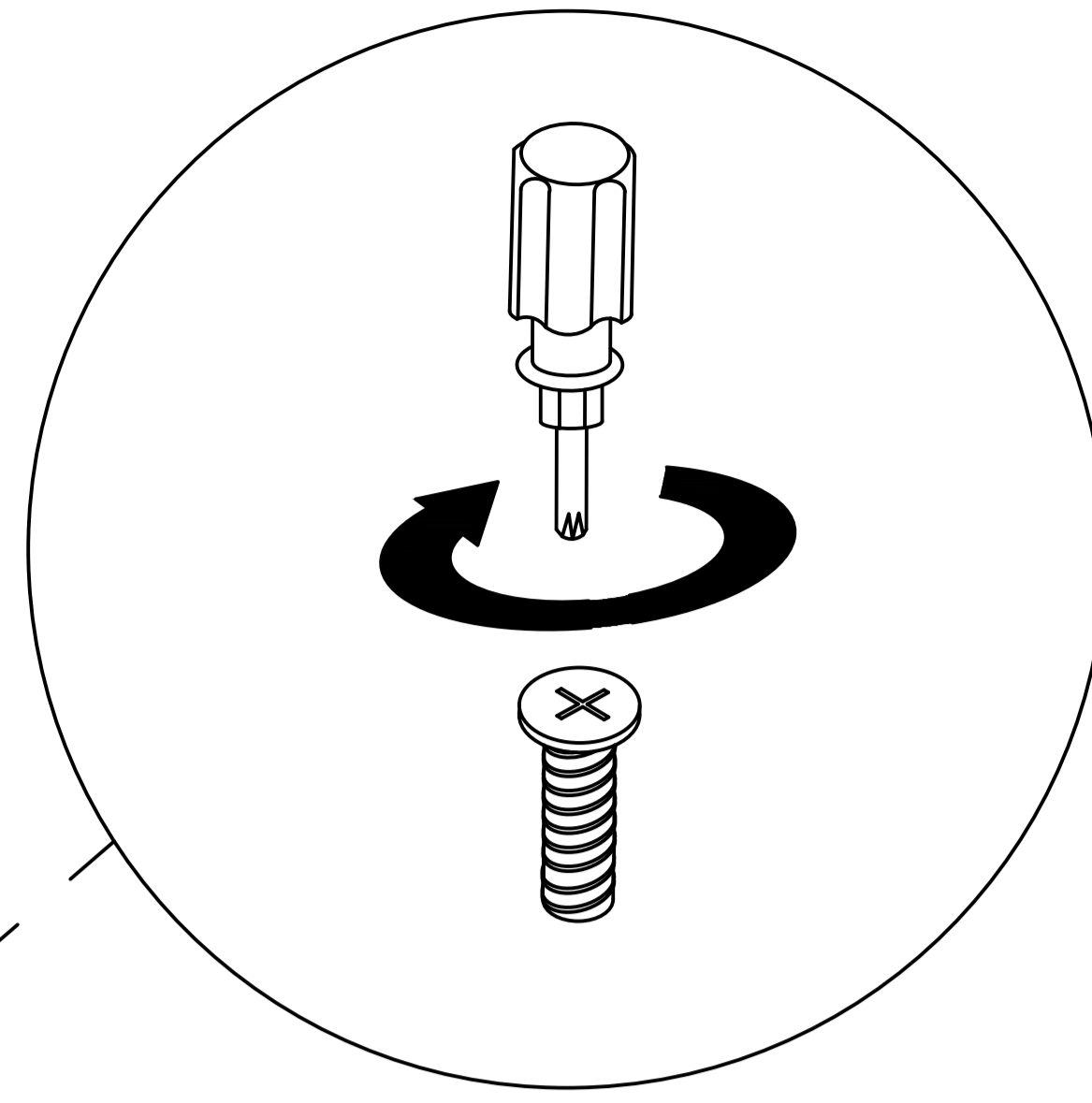
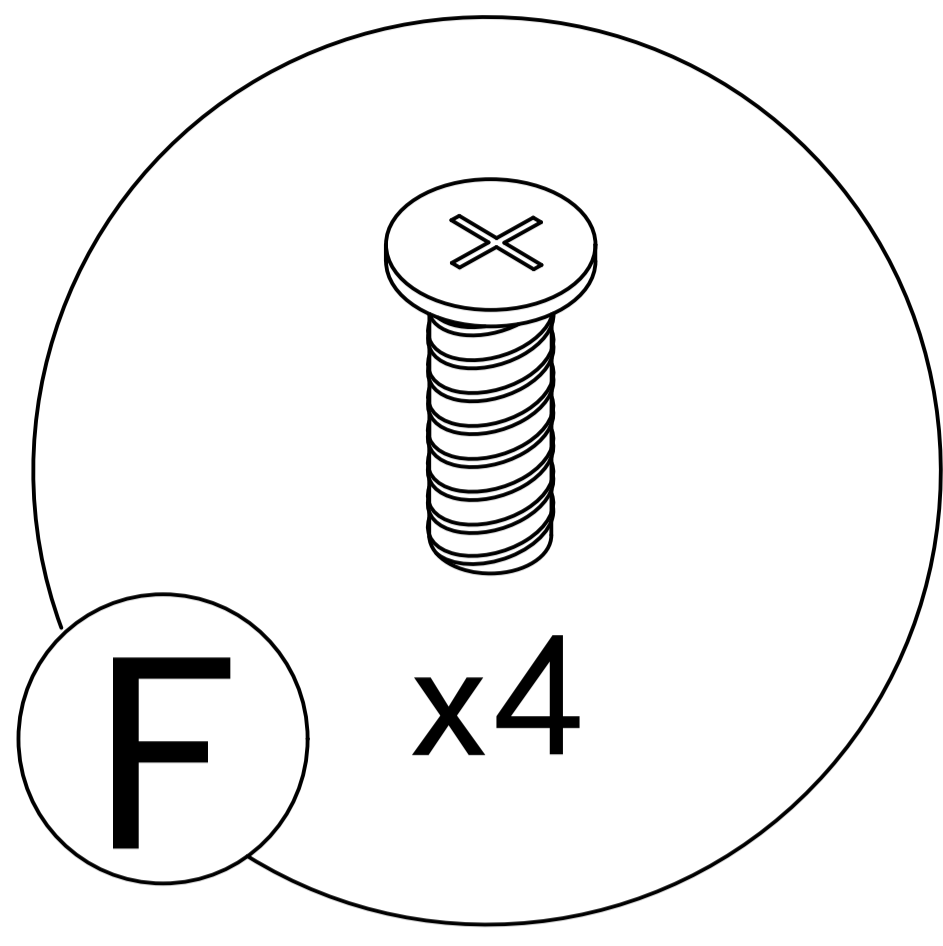
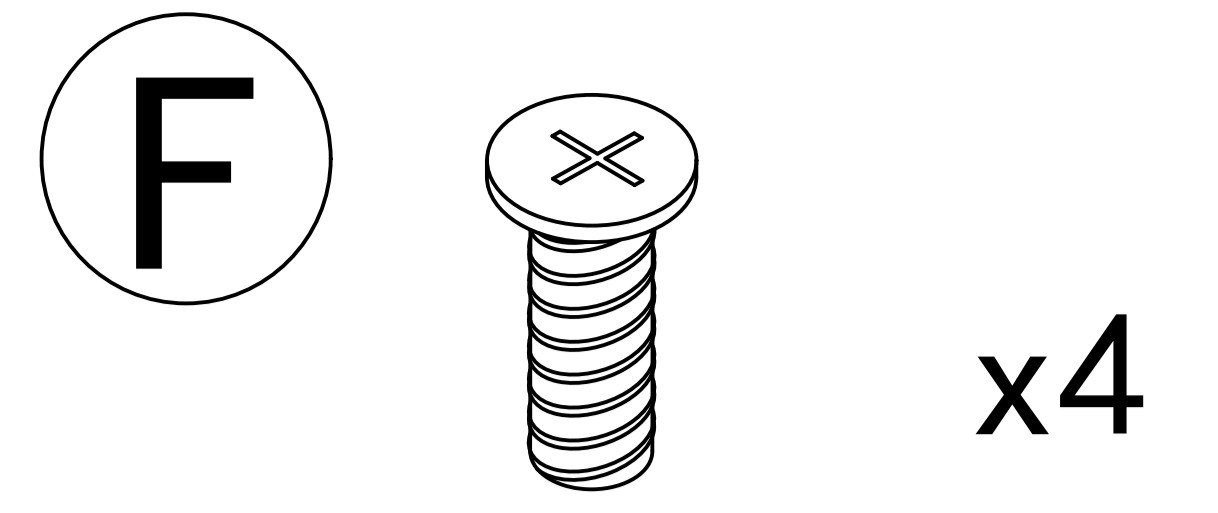


Step 7

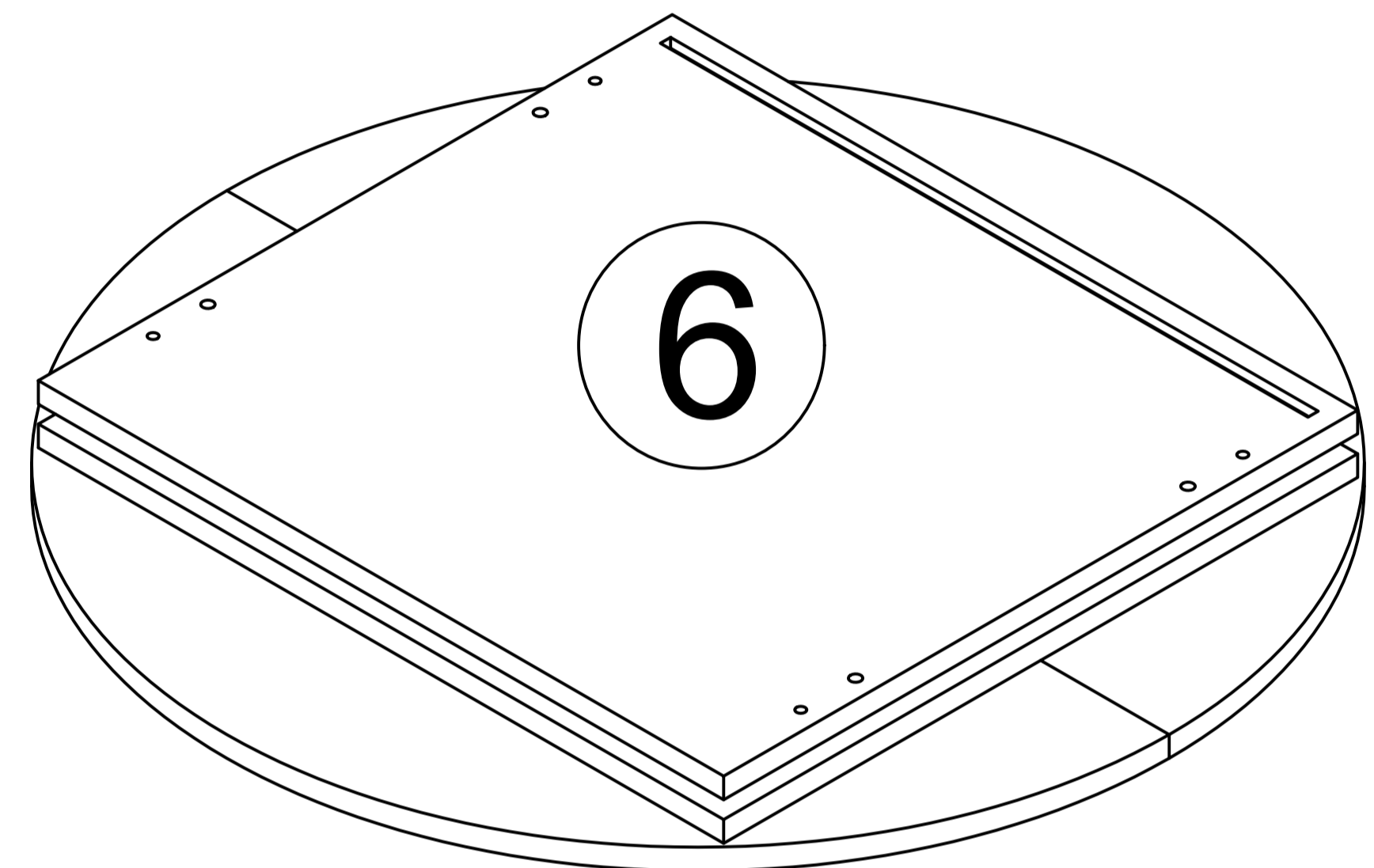
- E**  x2  x4



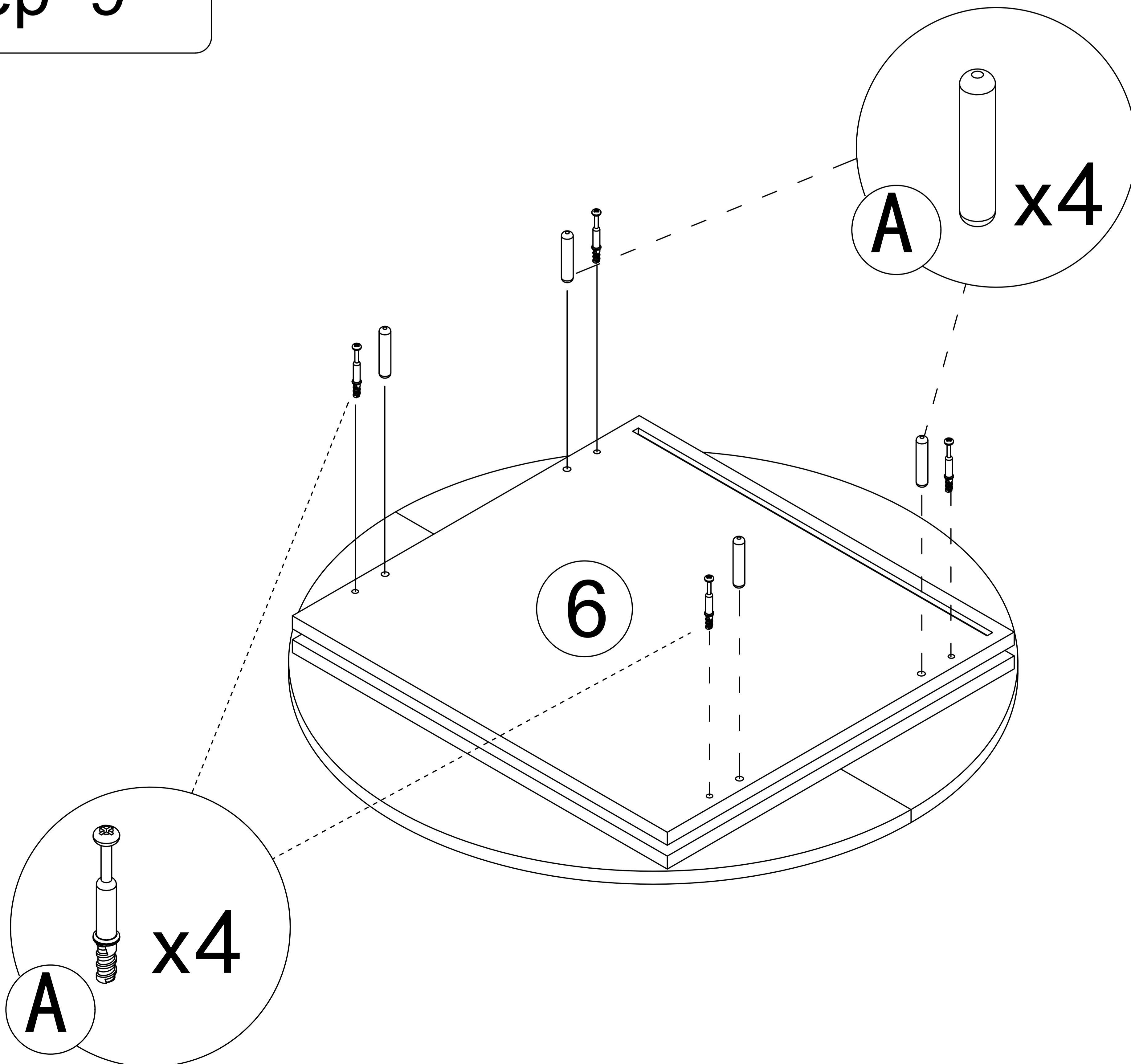
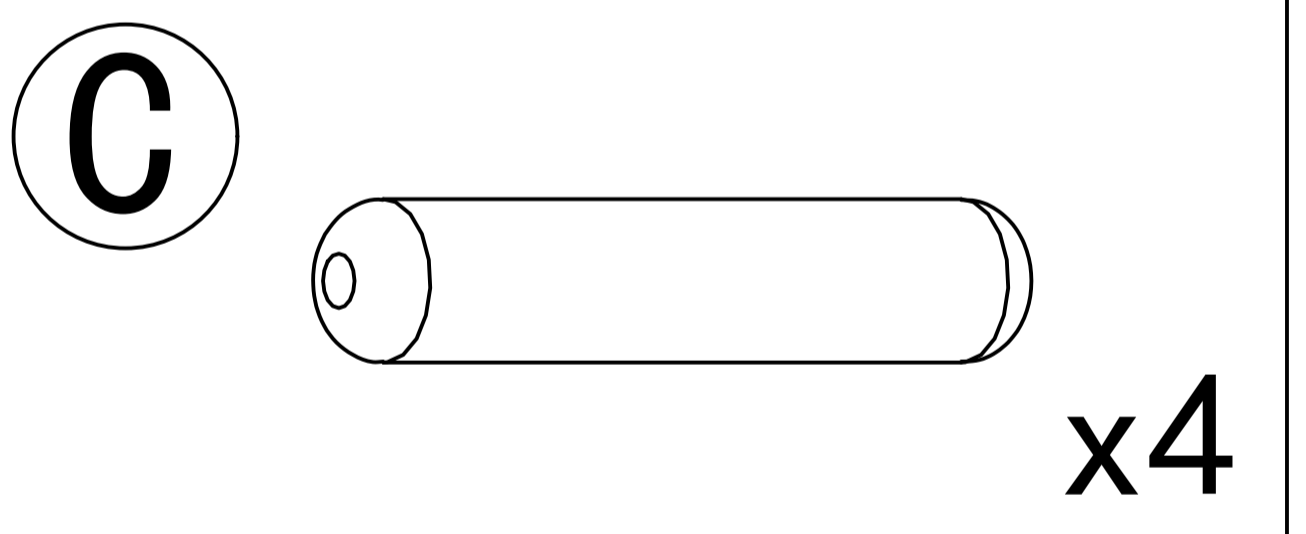
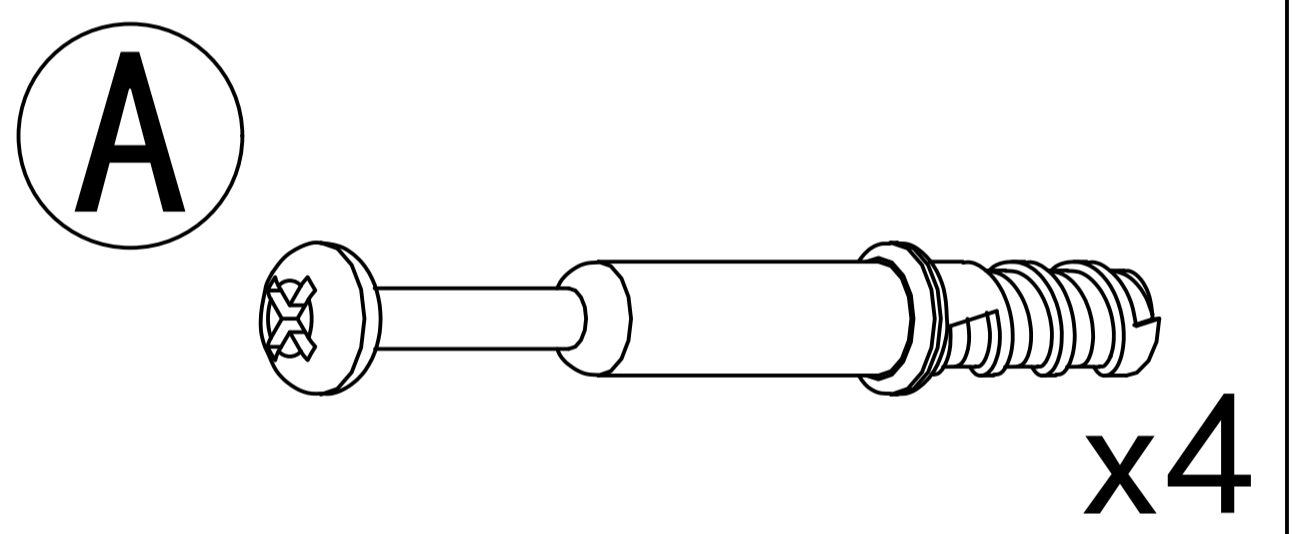
Step 8



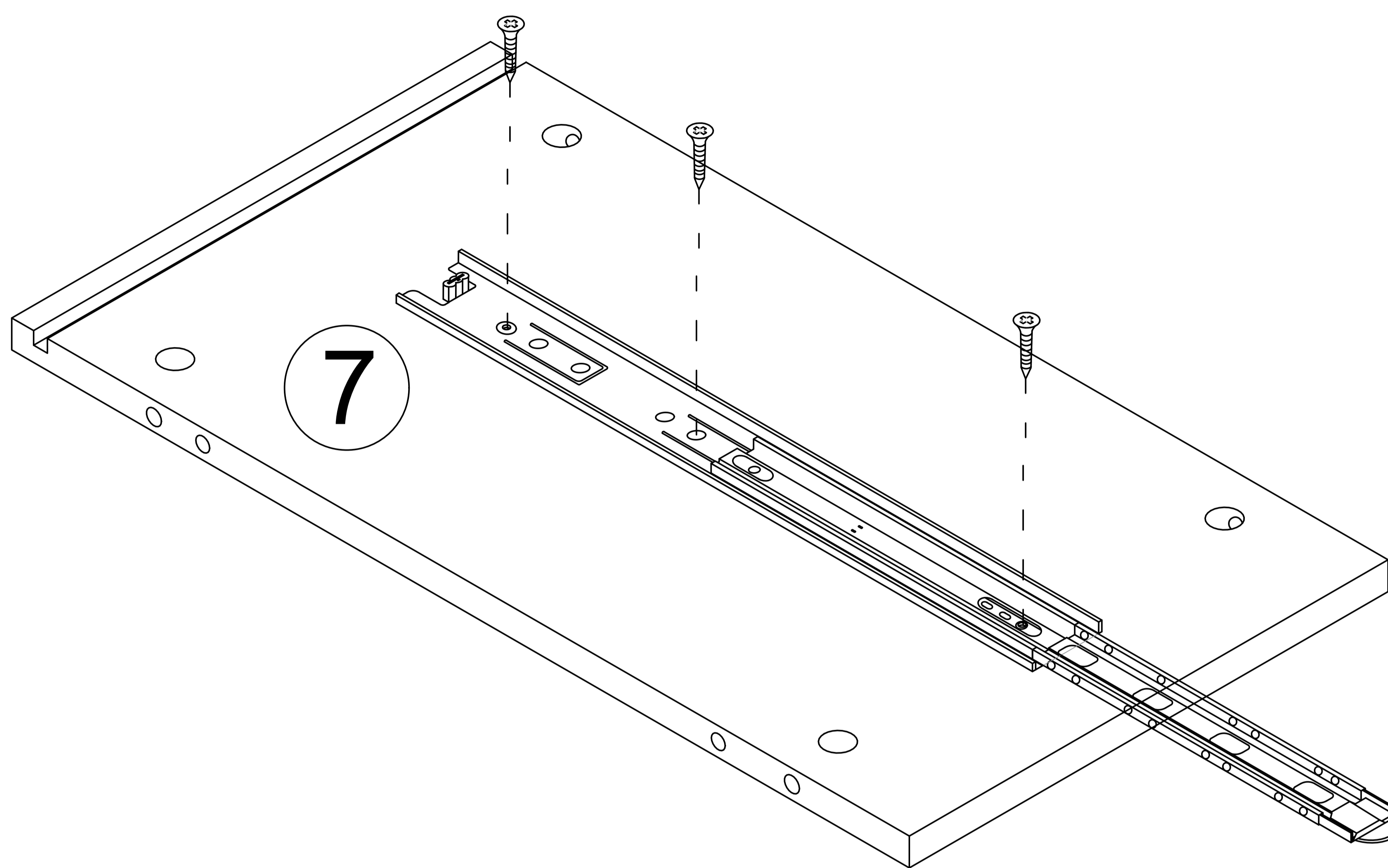
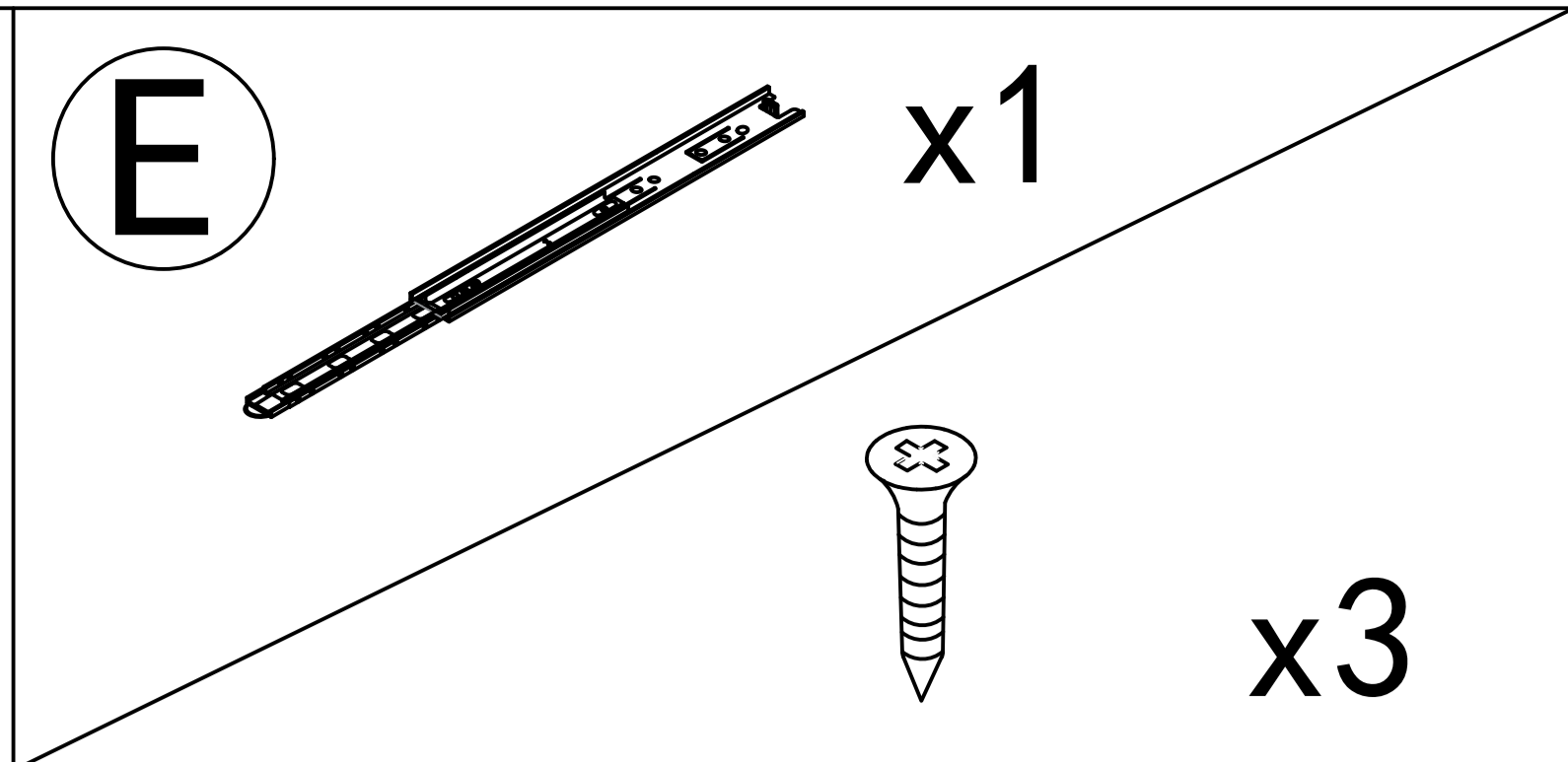
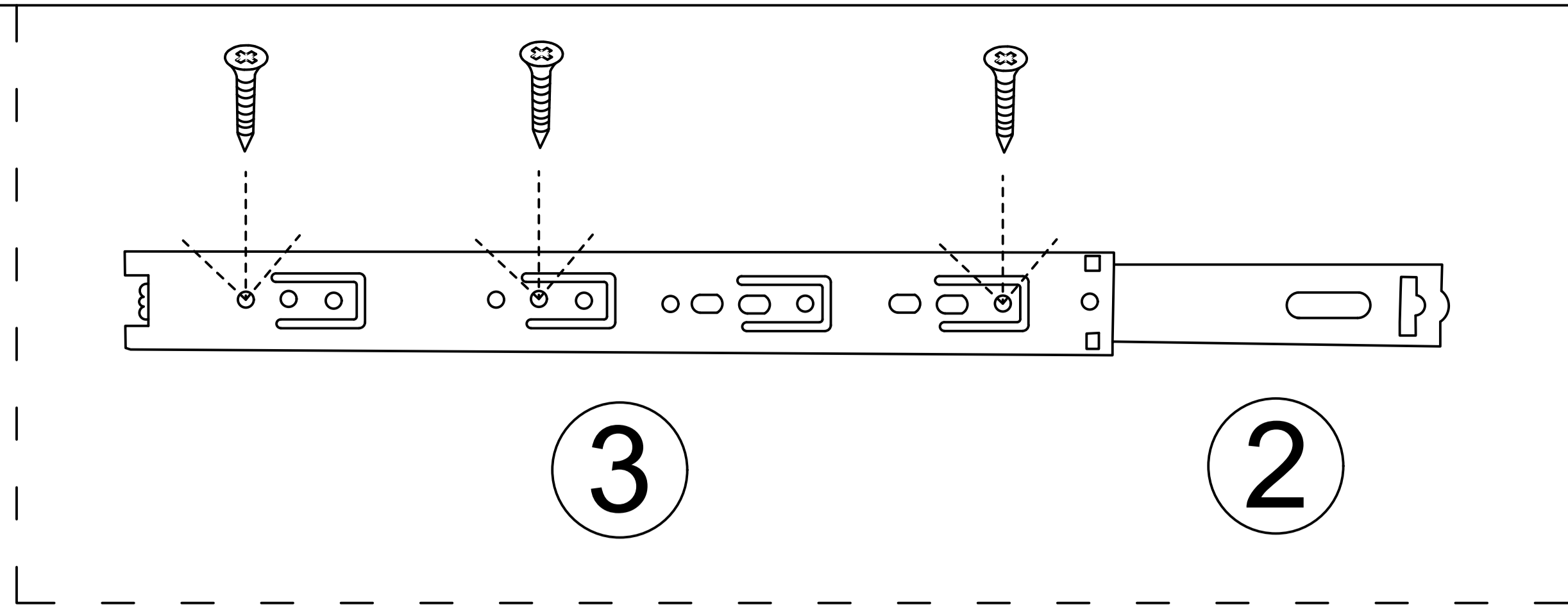
Turn the plank and screw it on



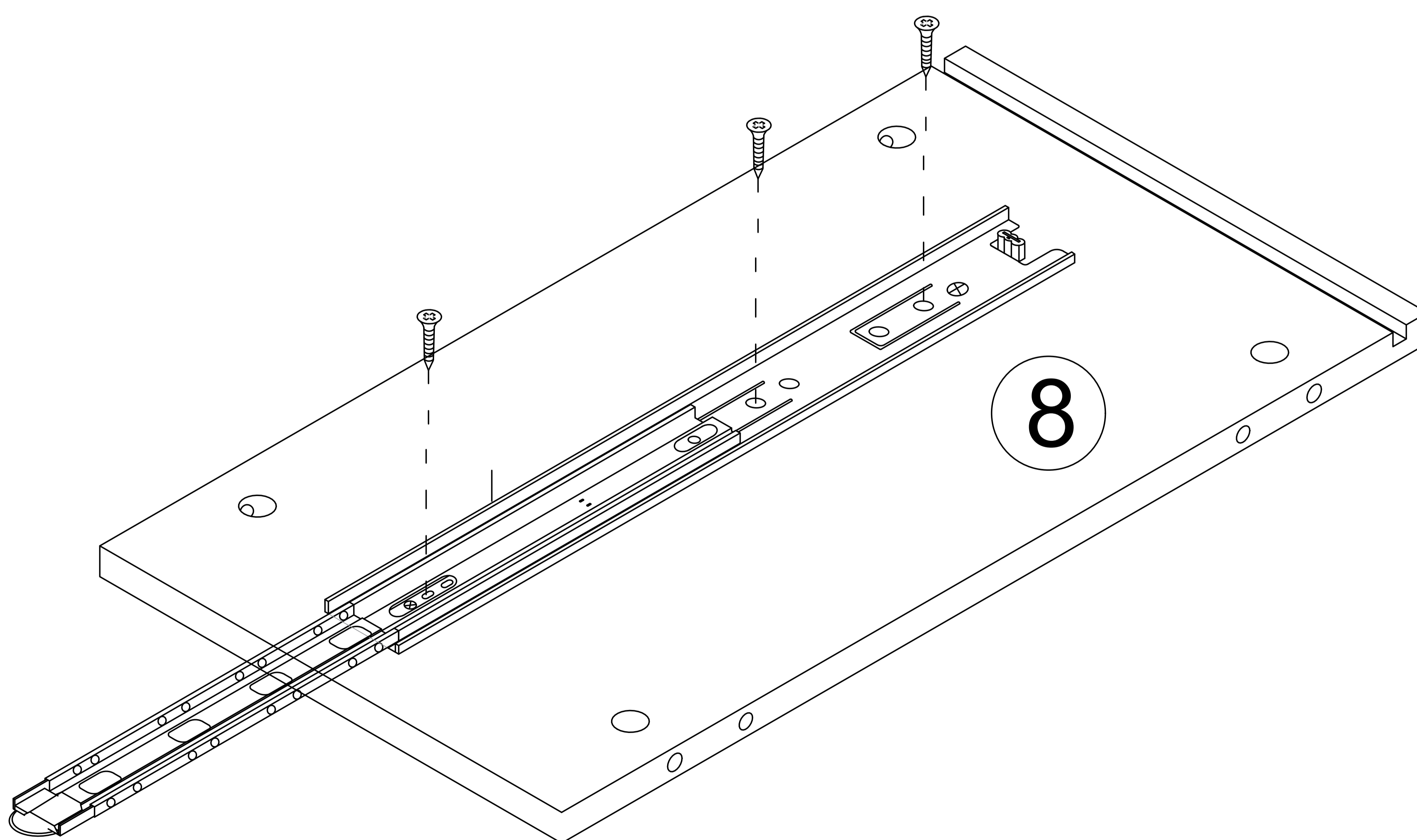
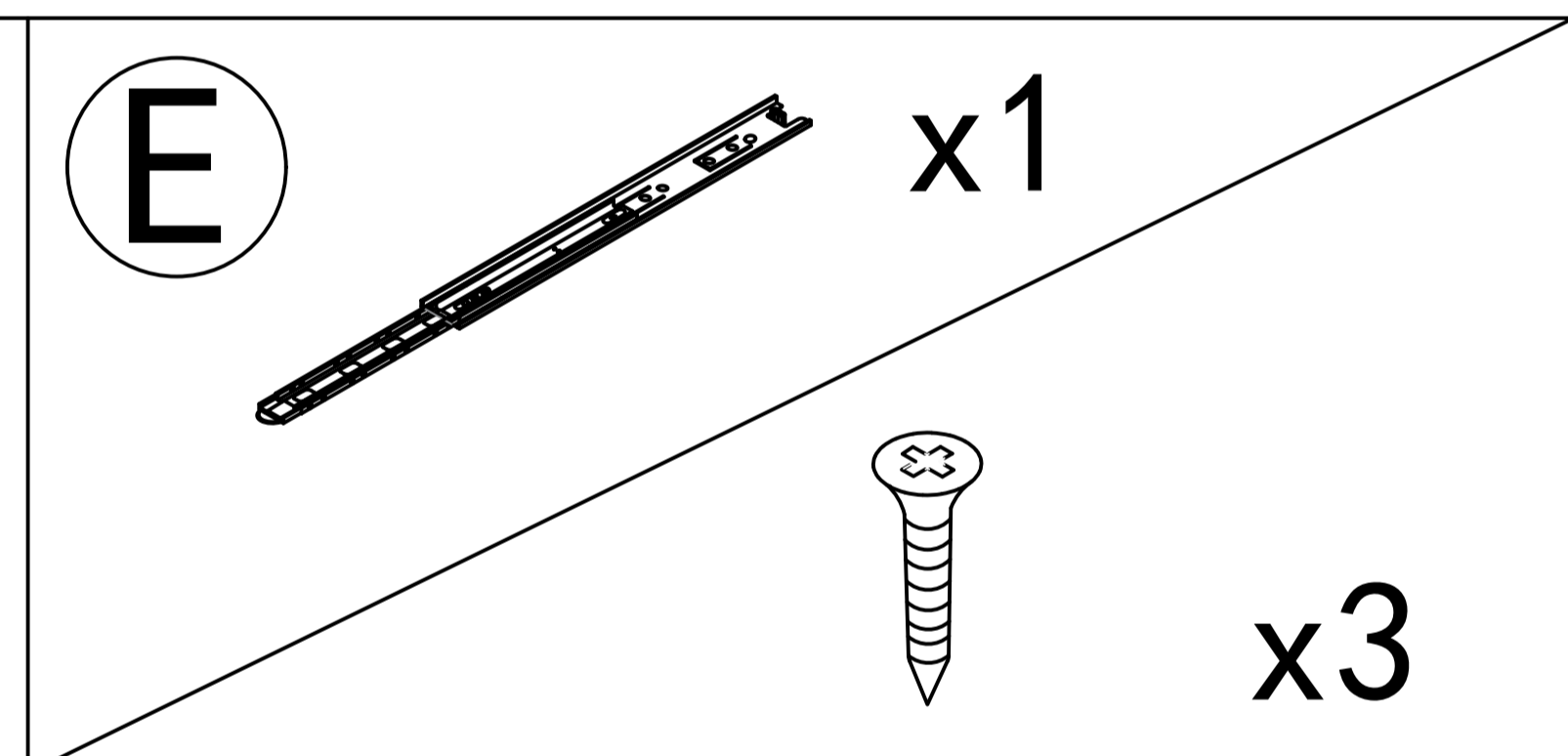
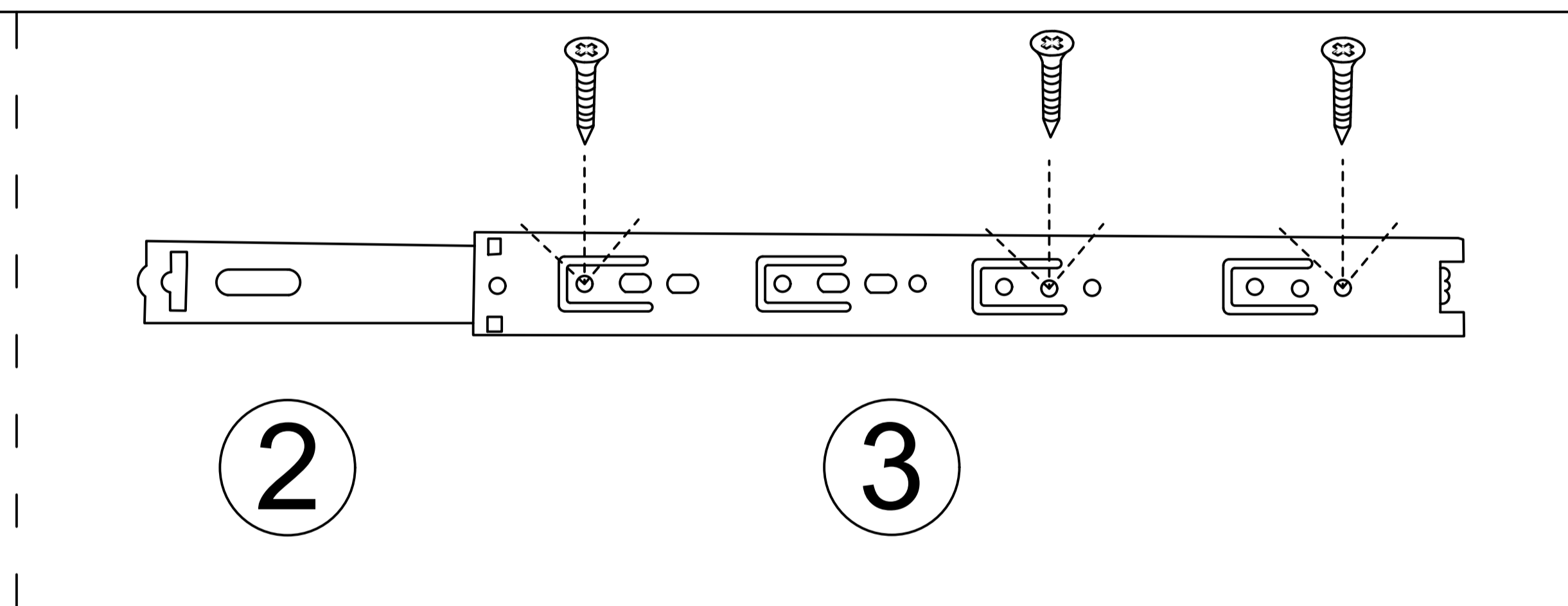
Step 9



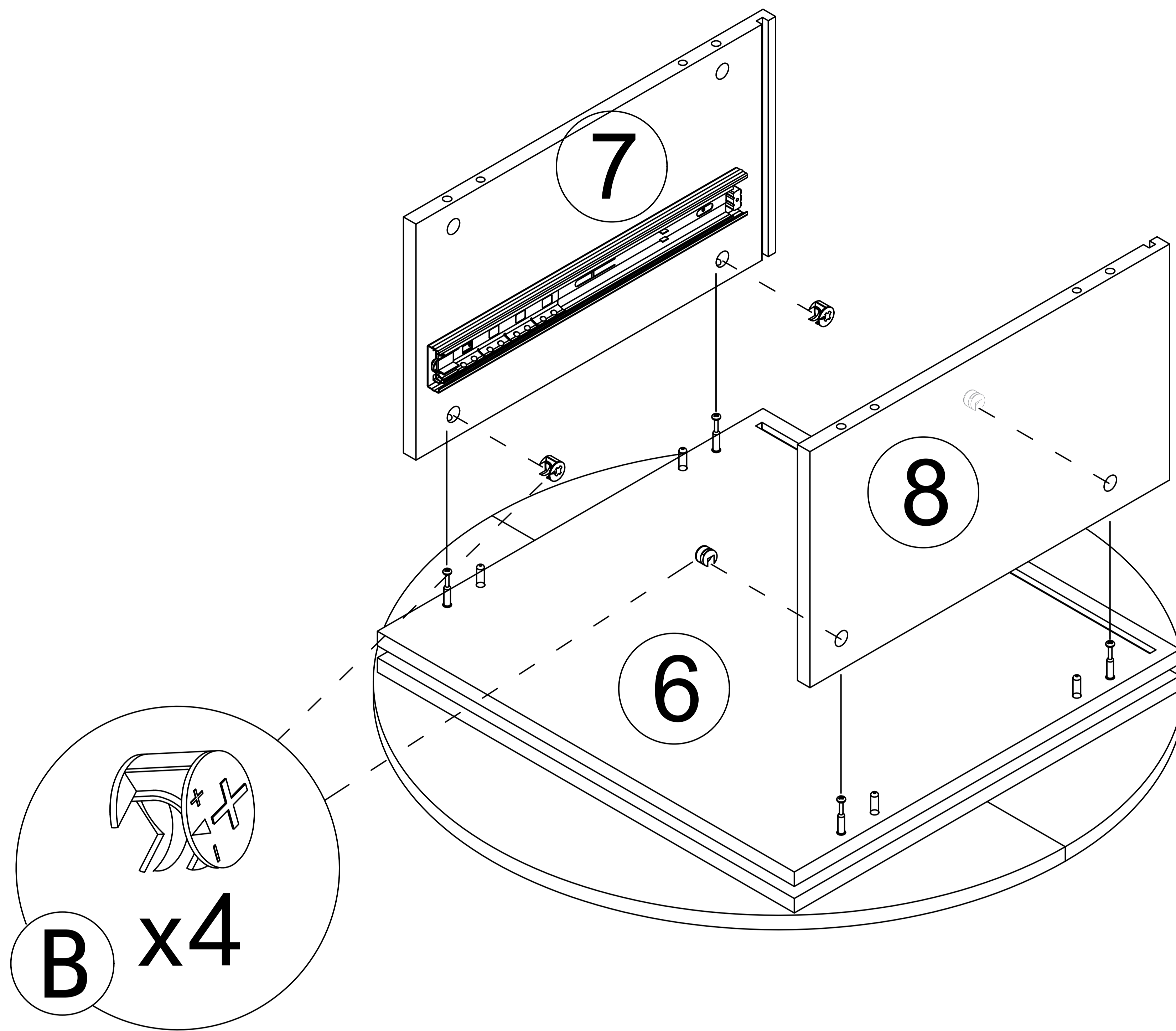
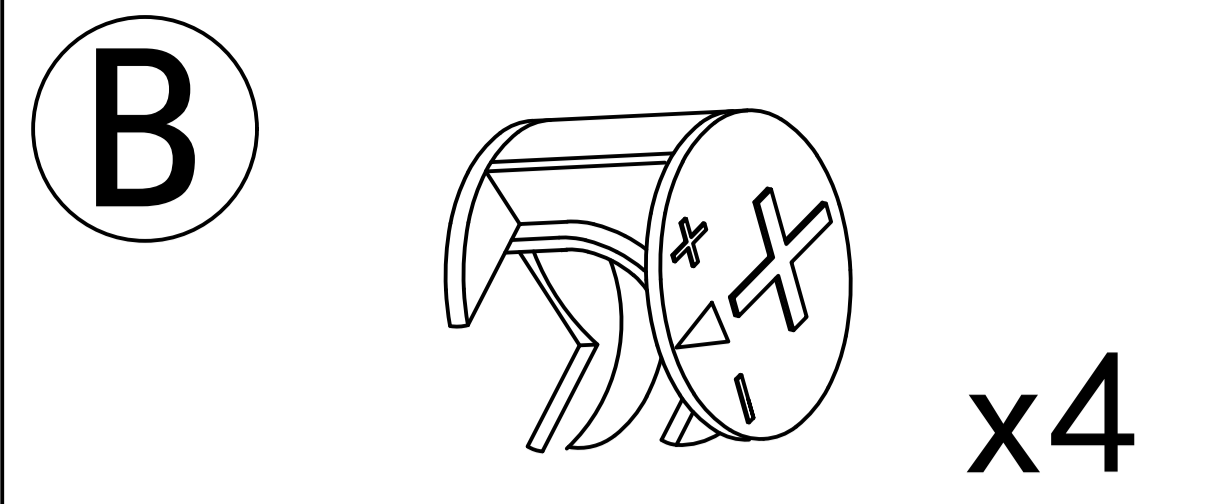
Step 10



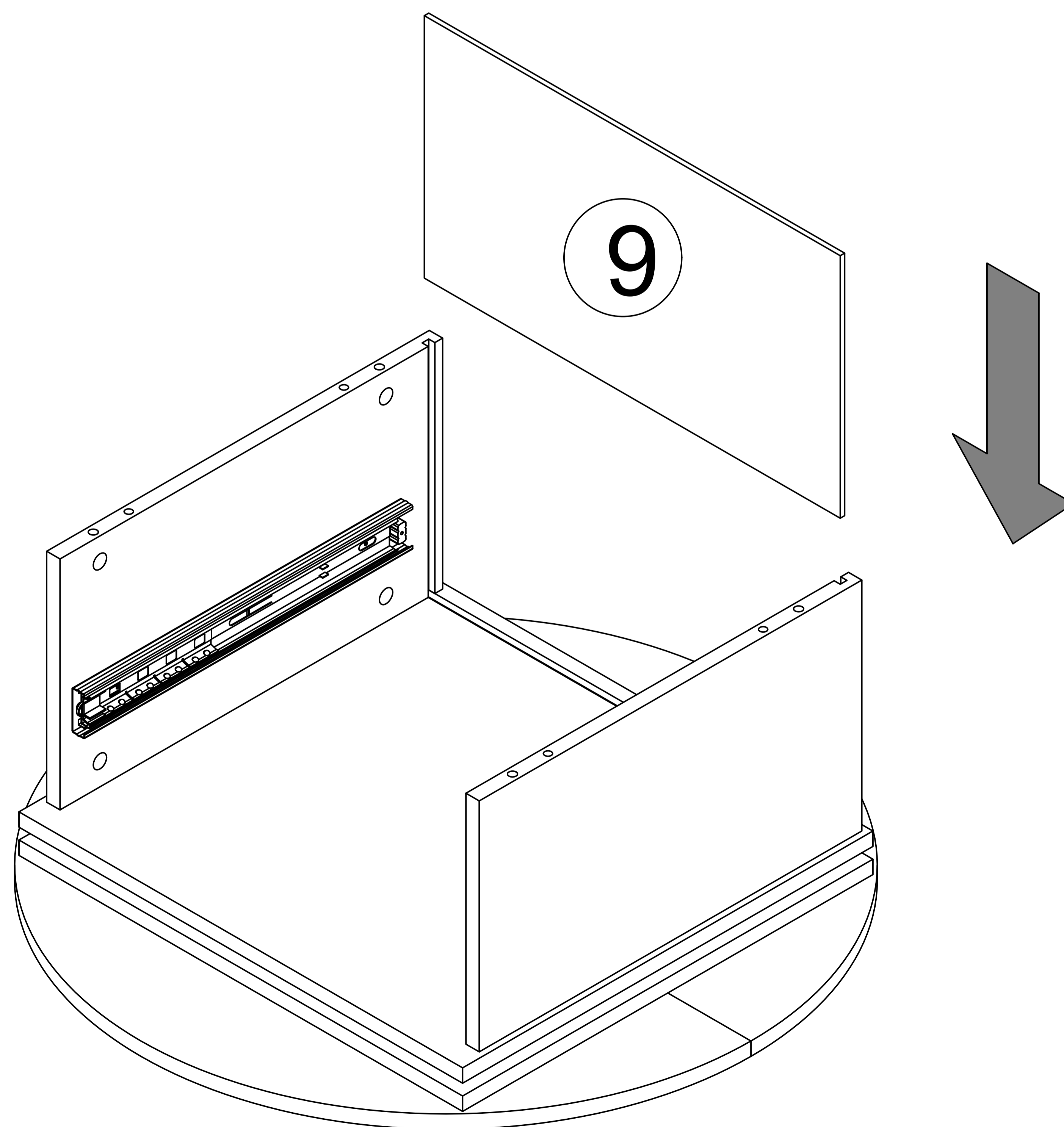
Step 11



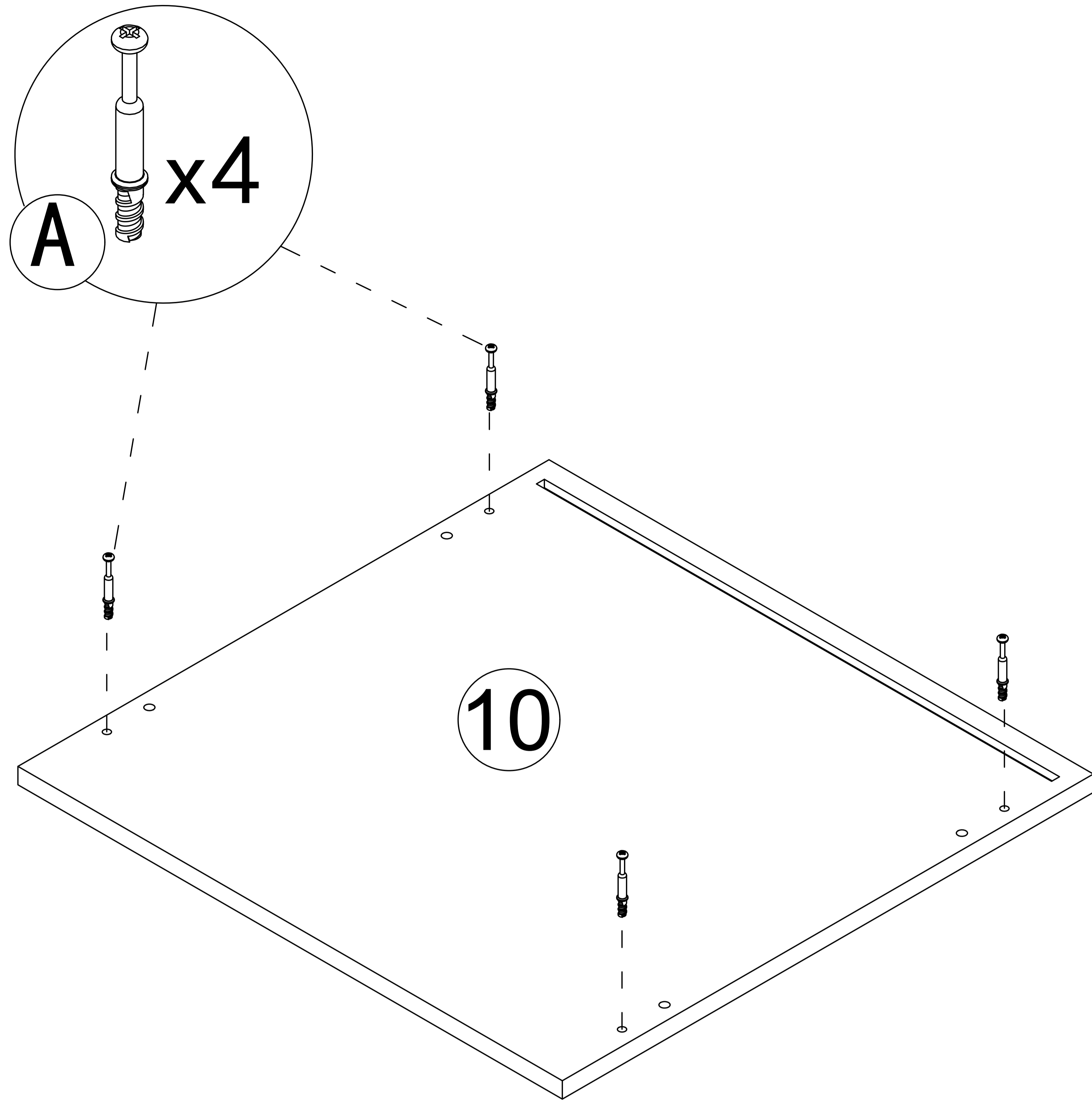
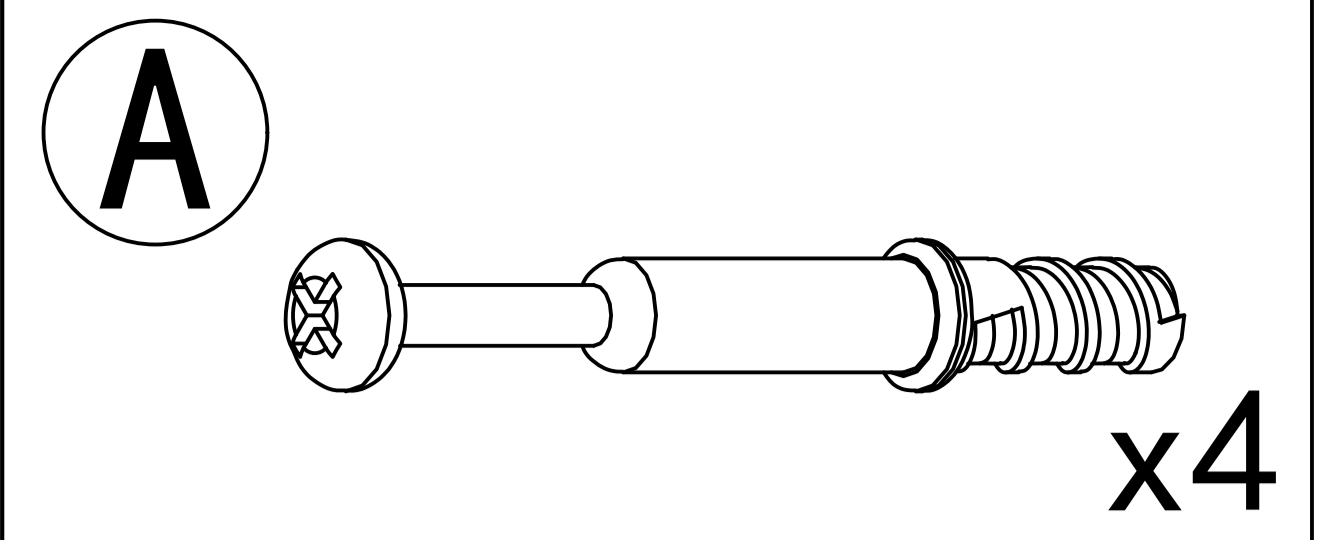
Step 12



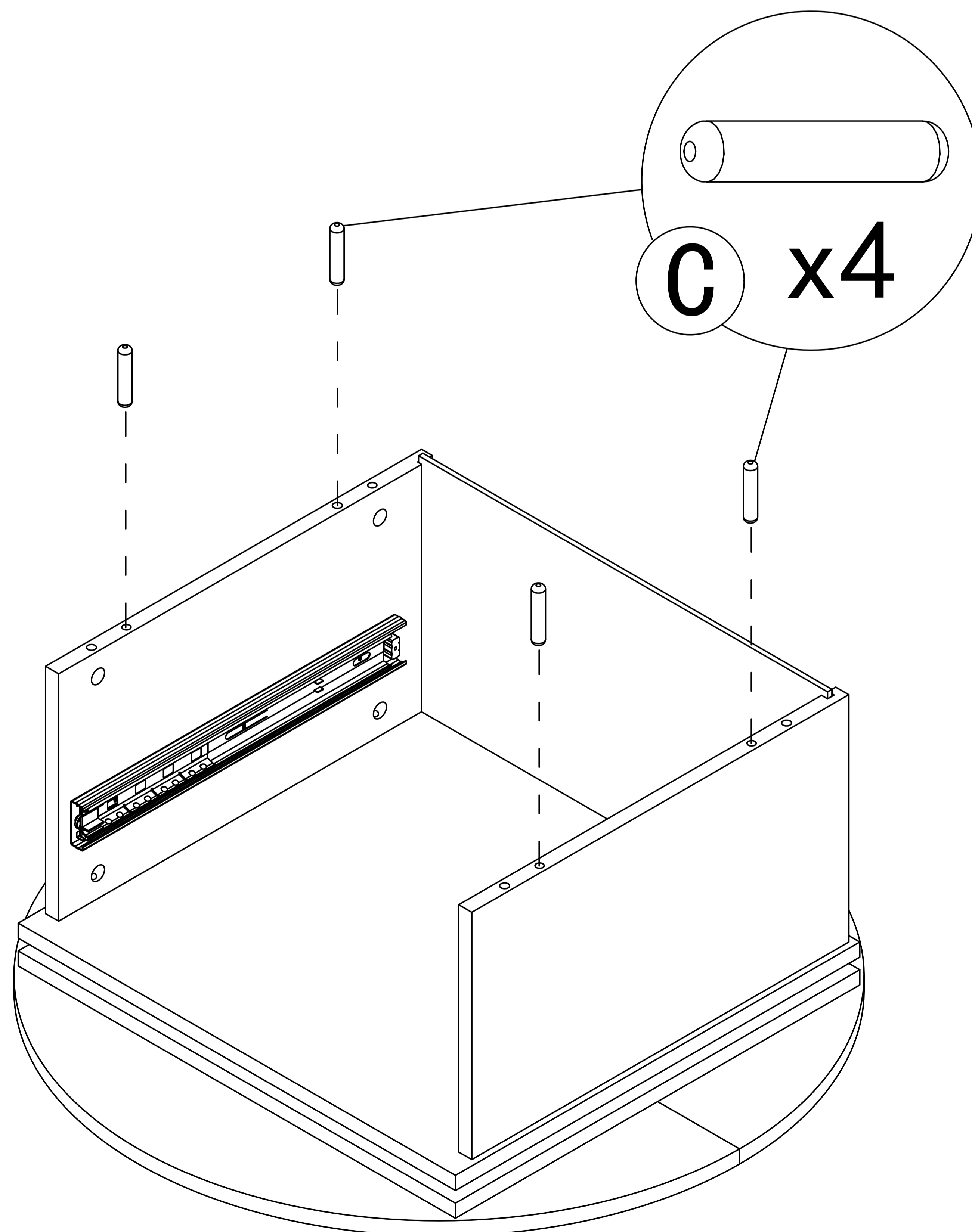
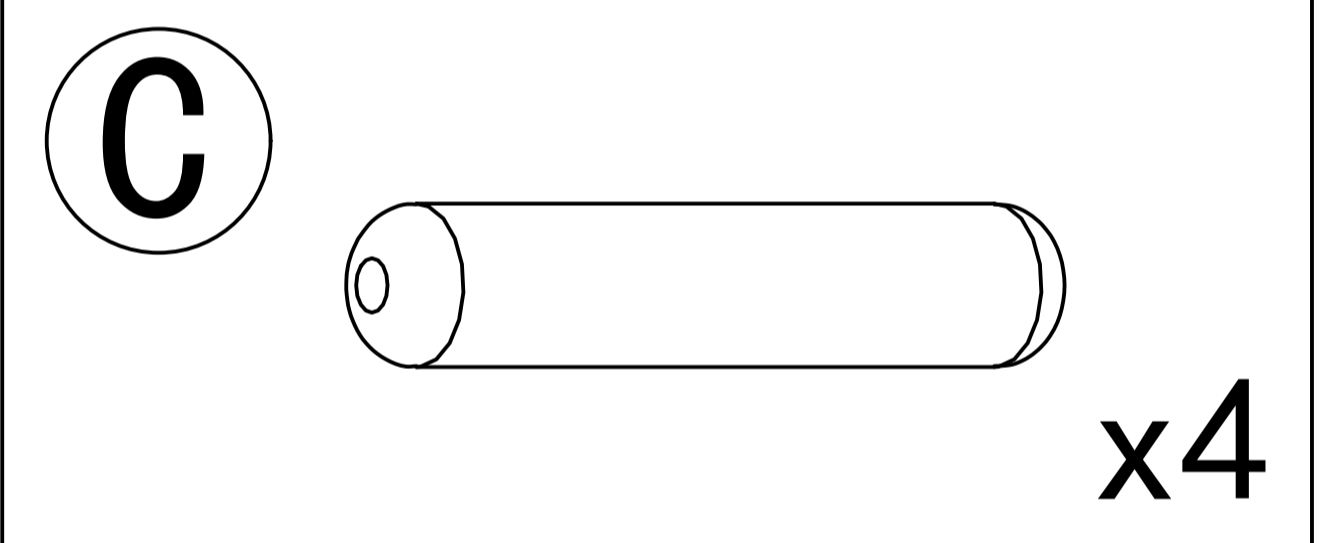
Step 13



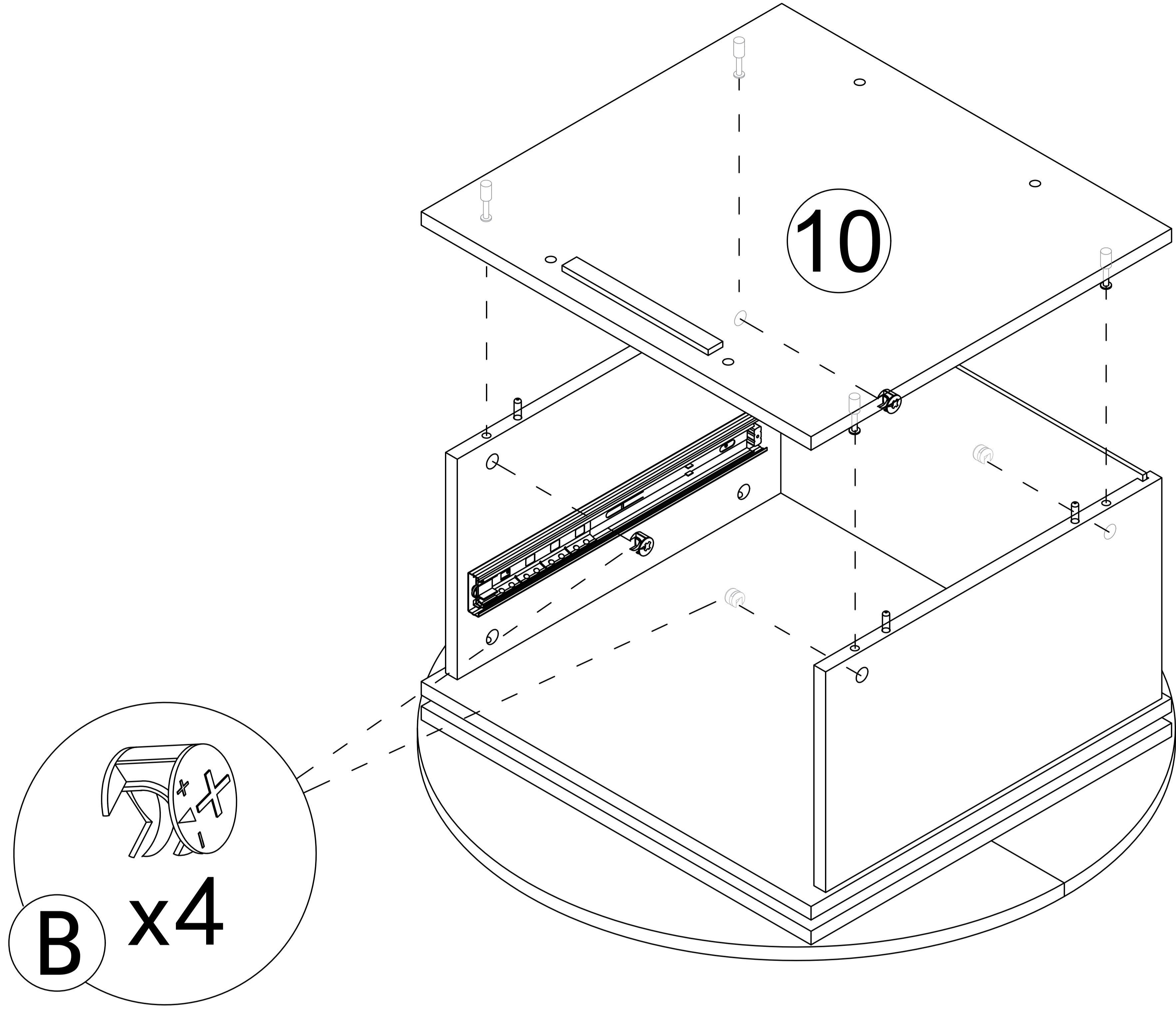
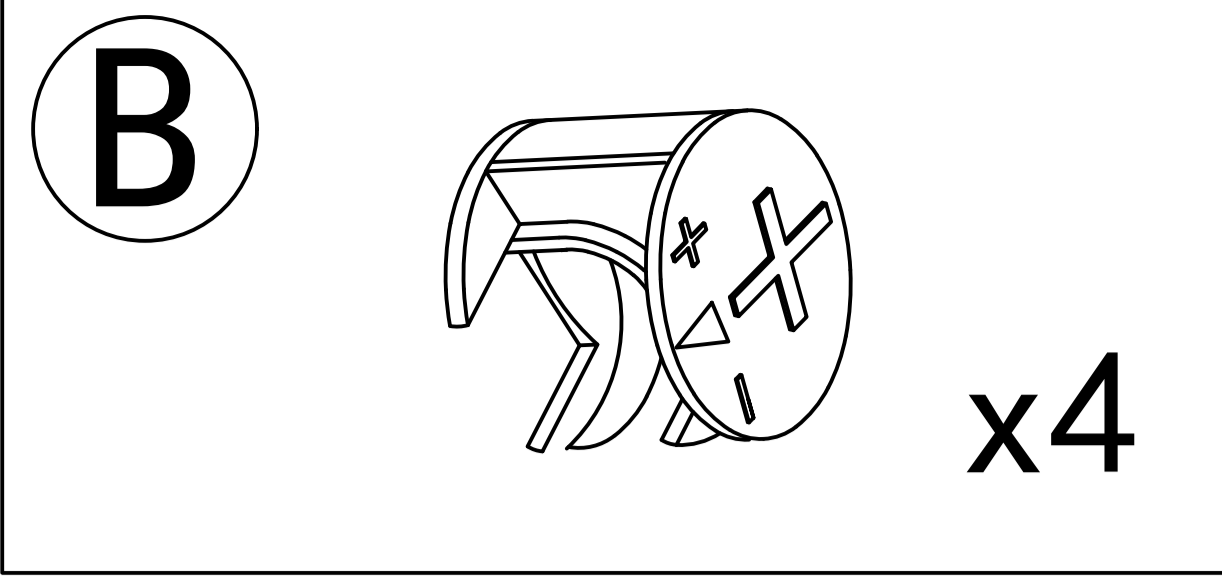
Step 14



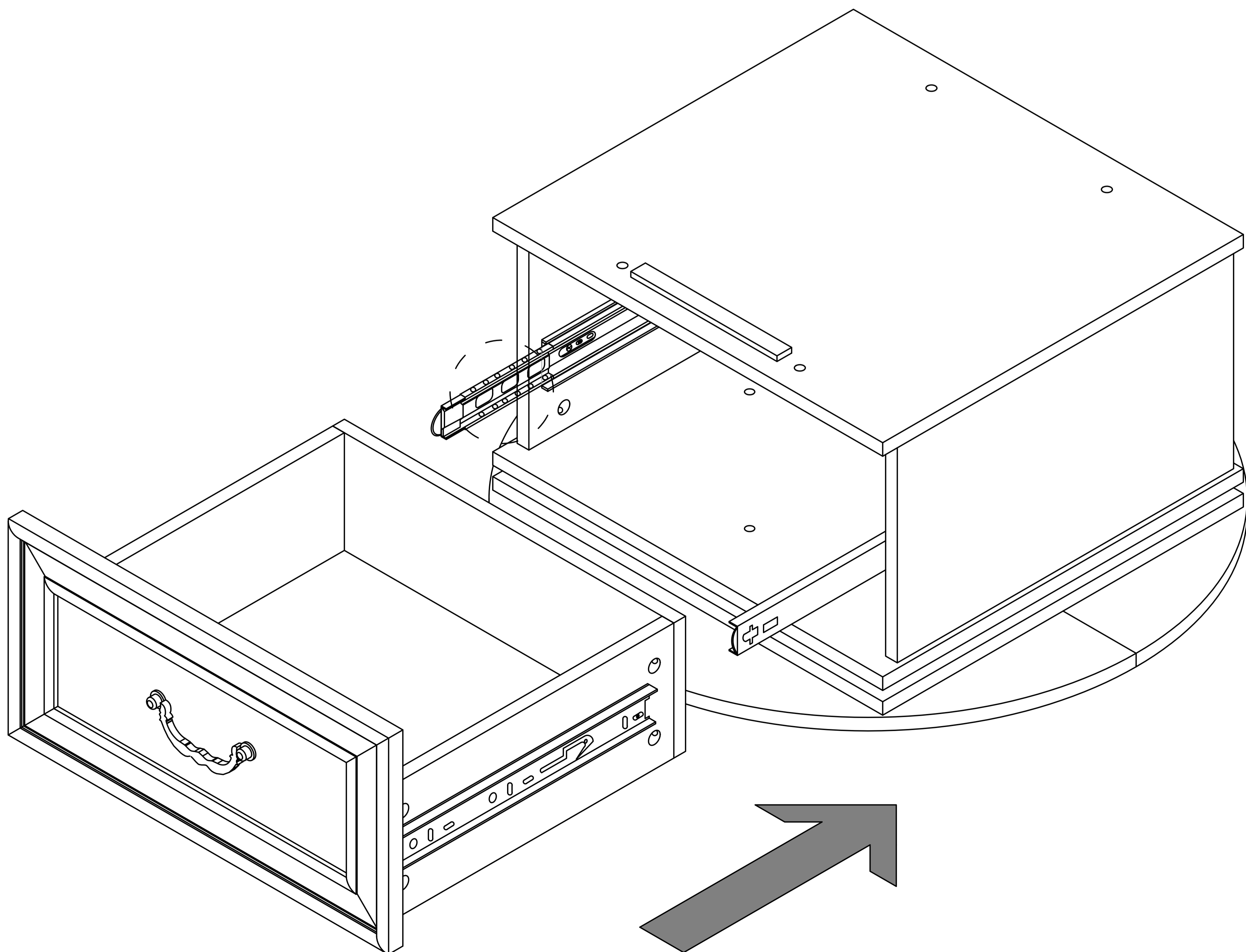
Step 15



Step 16

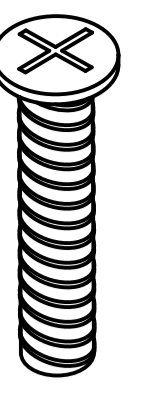


Step 17

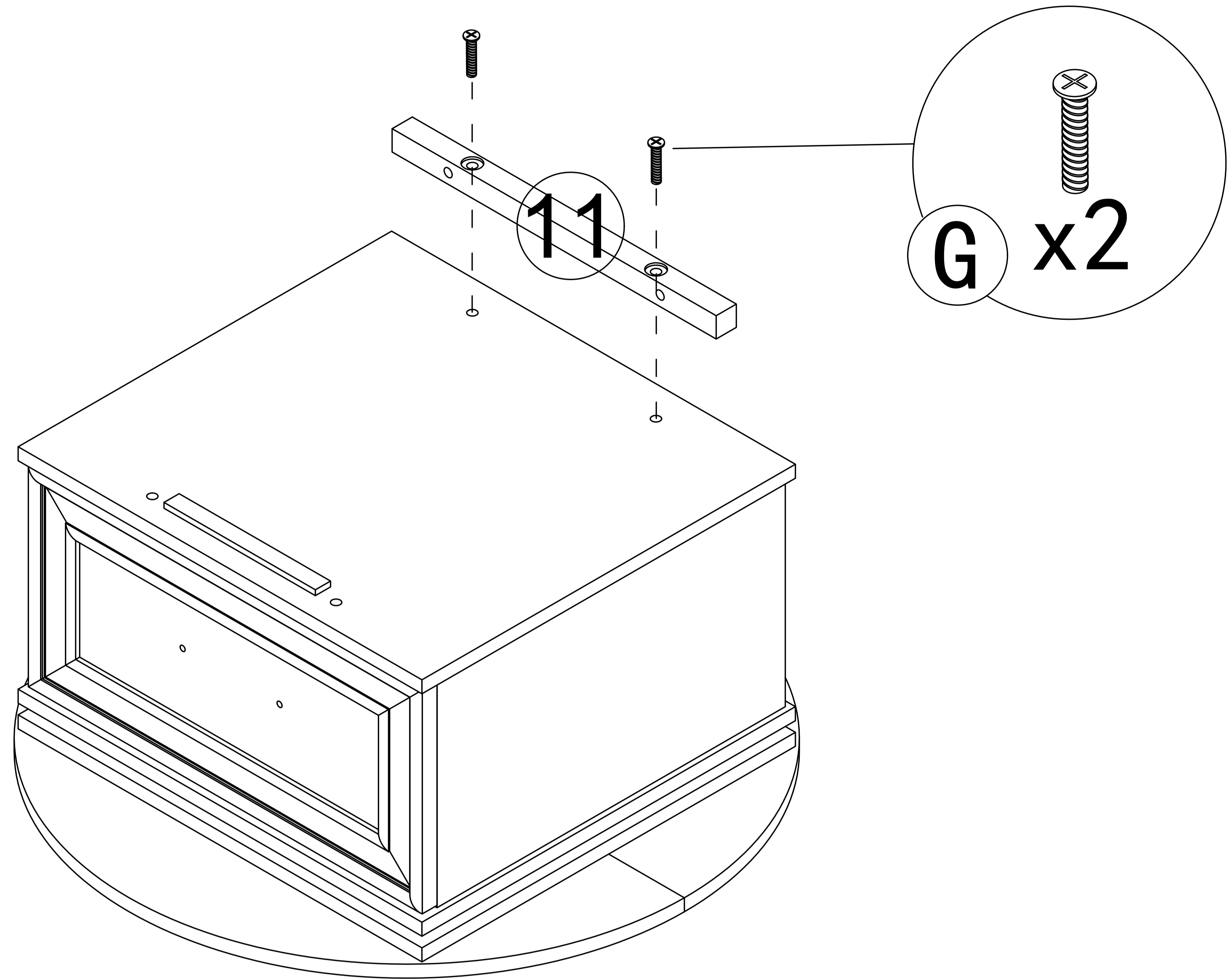


Step 18

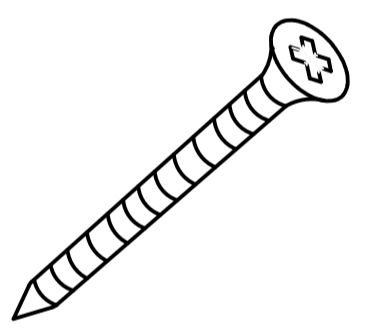
G



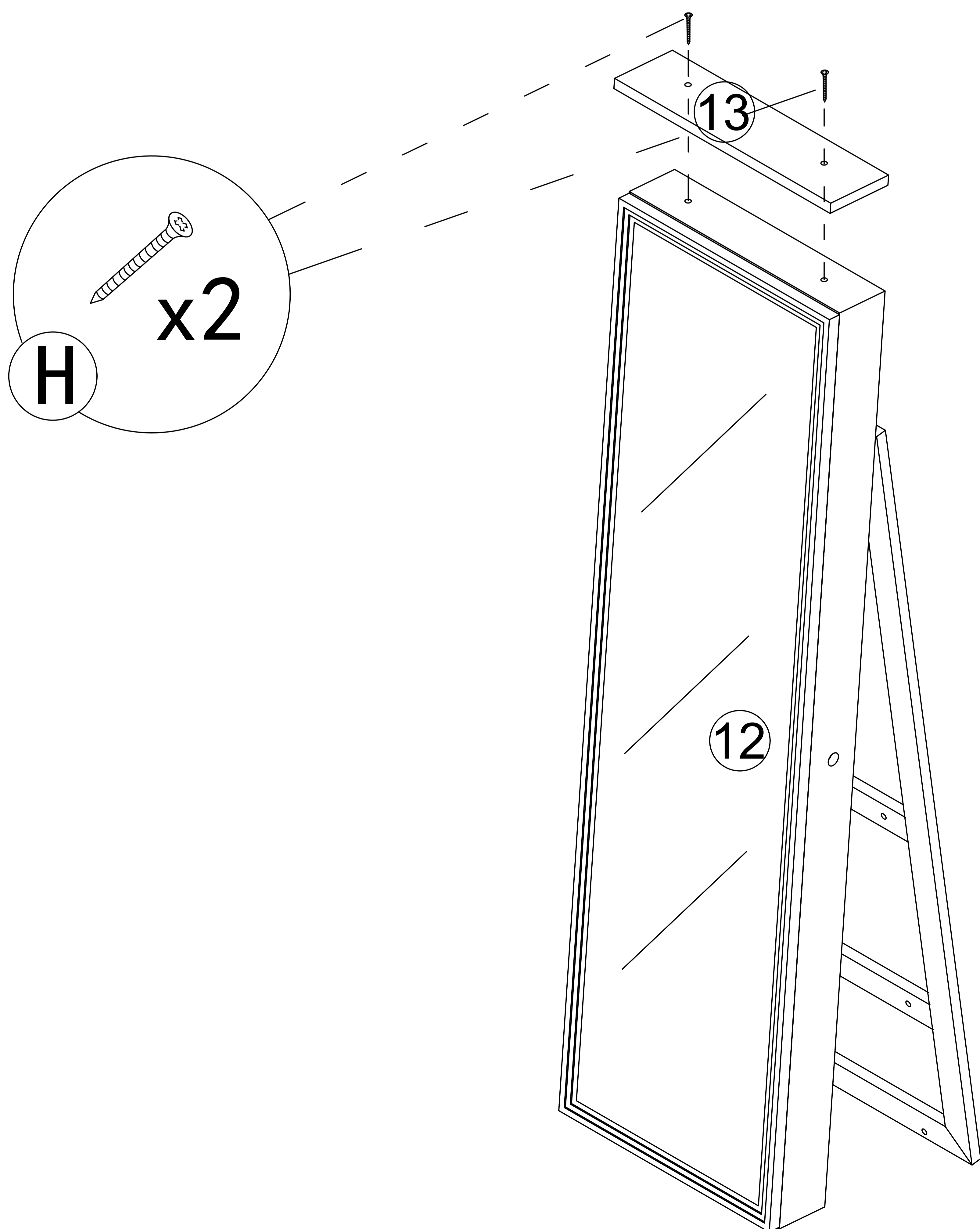
x2



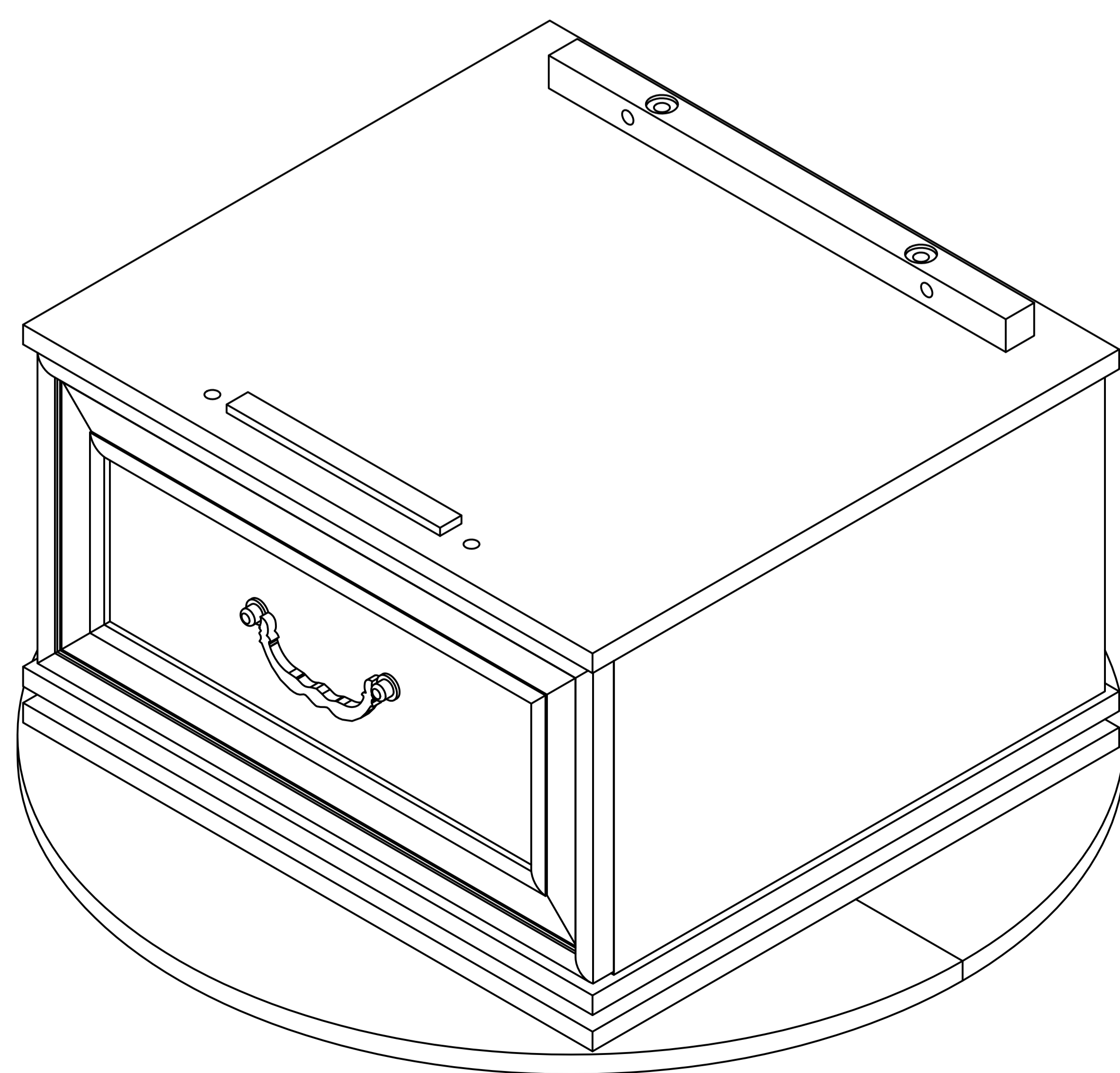
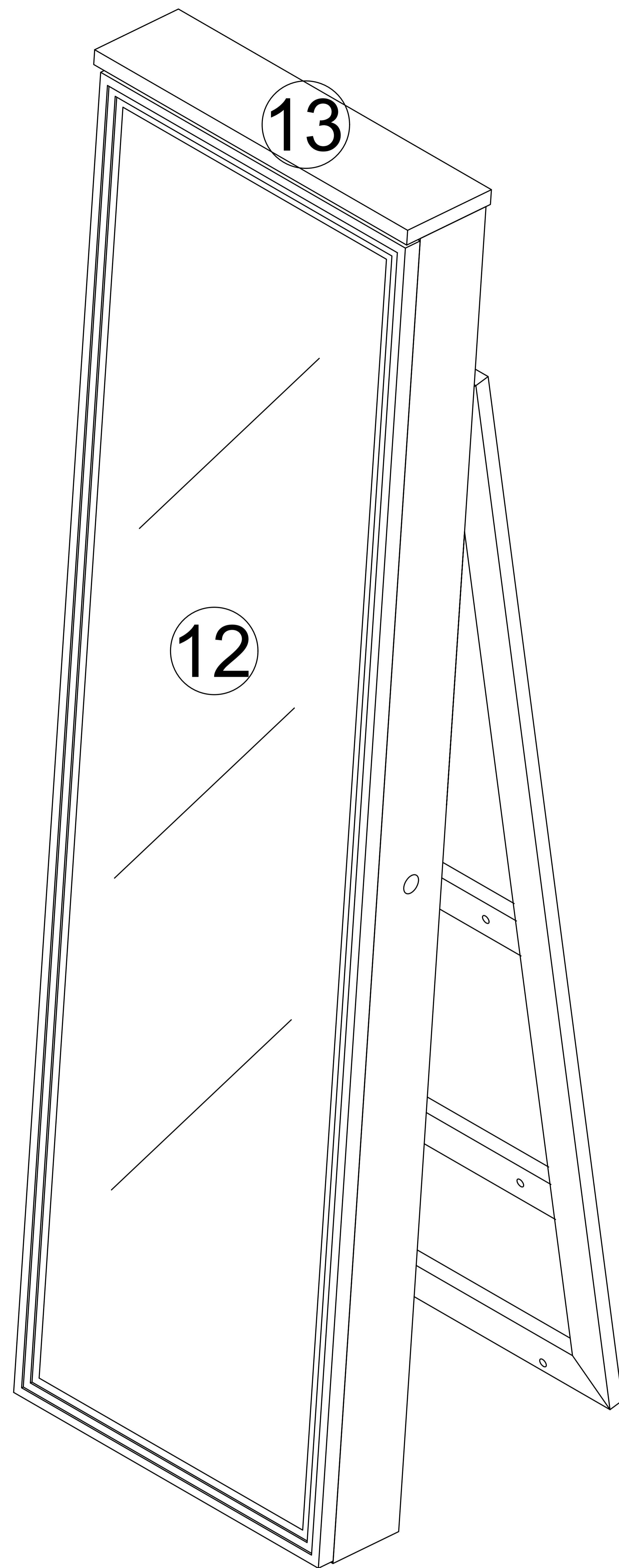
H



x2

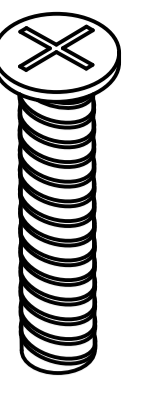


Step 22

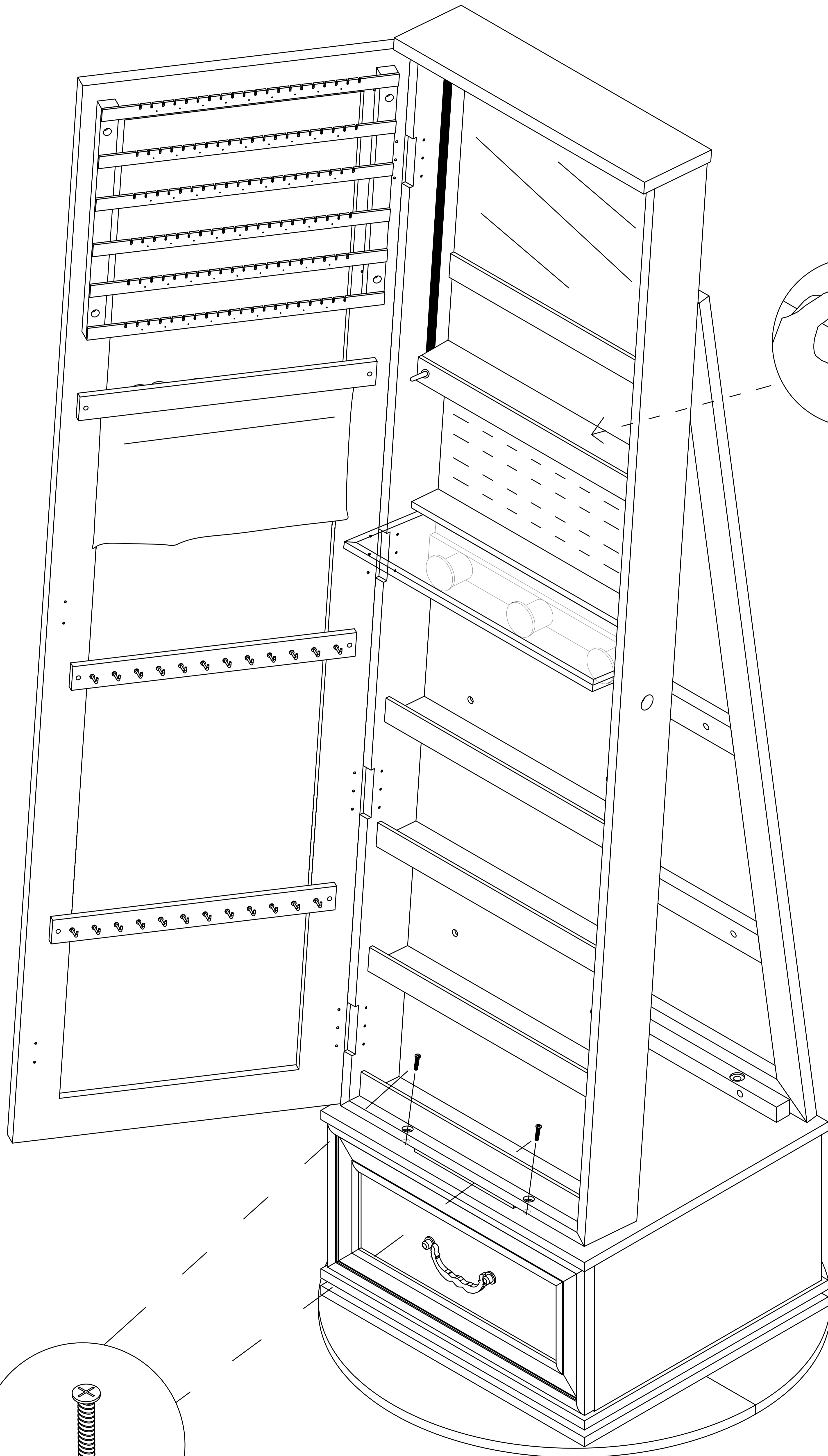


Step 23

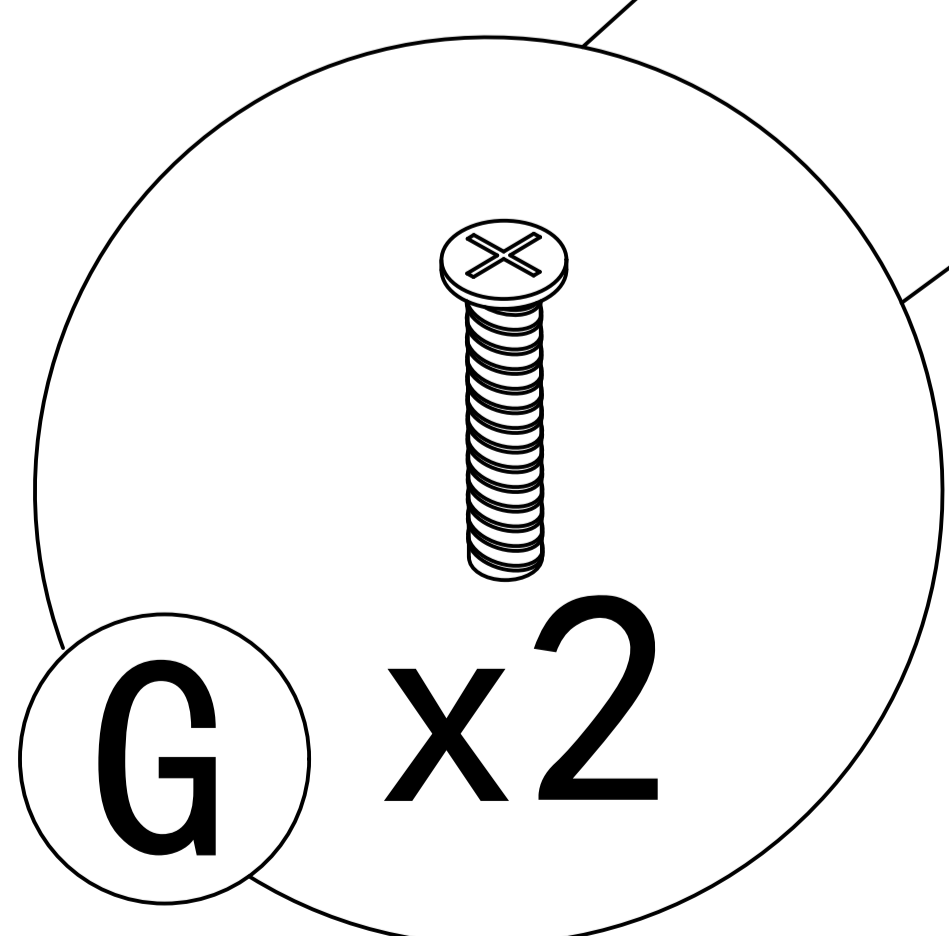
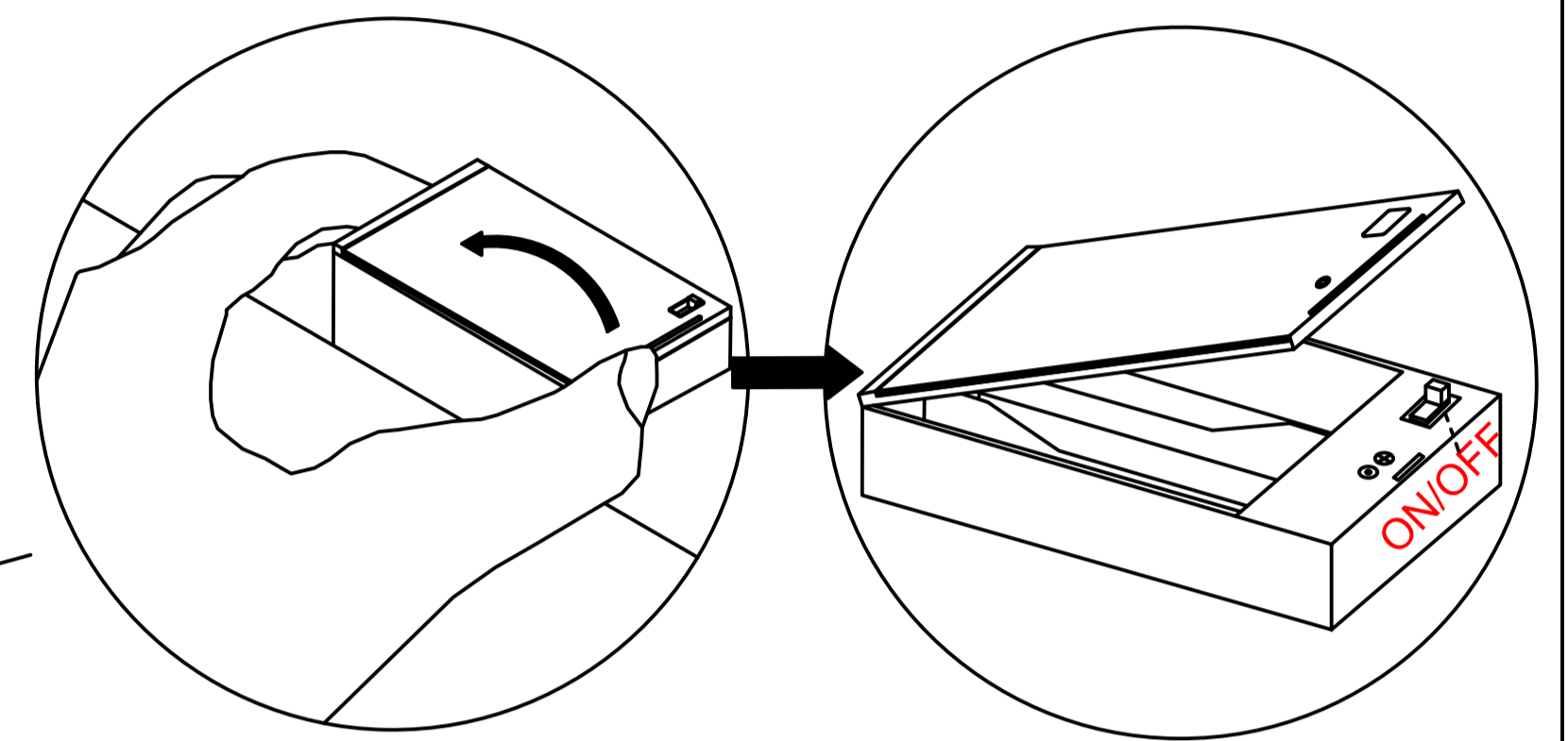
G



x2

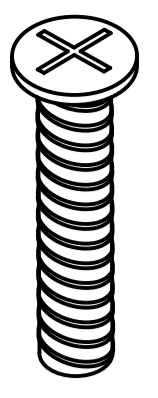


Battery installation
(Tip: use 3 AA Batteries)

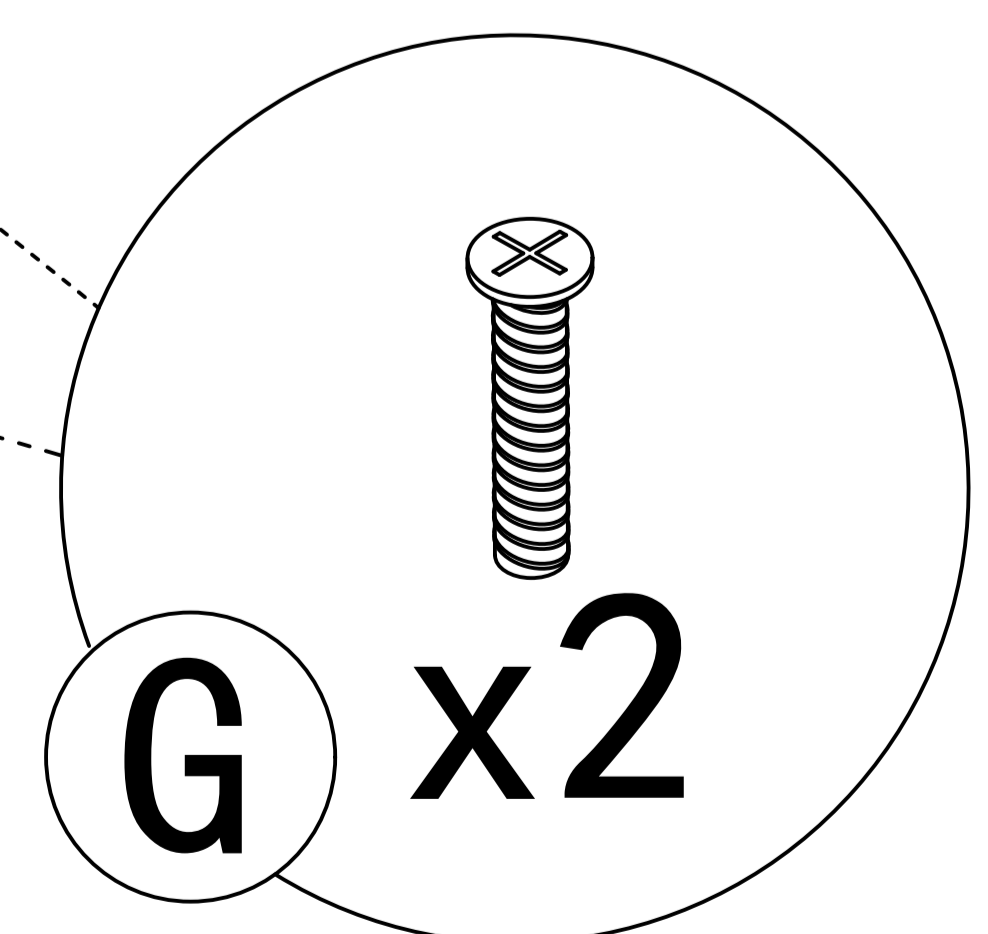
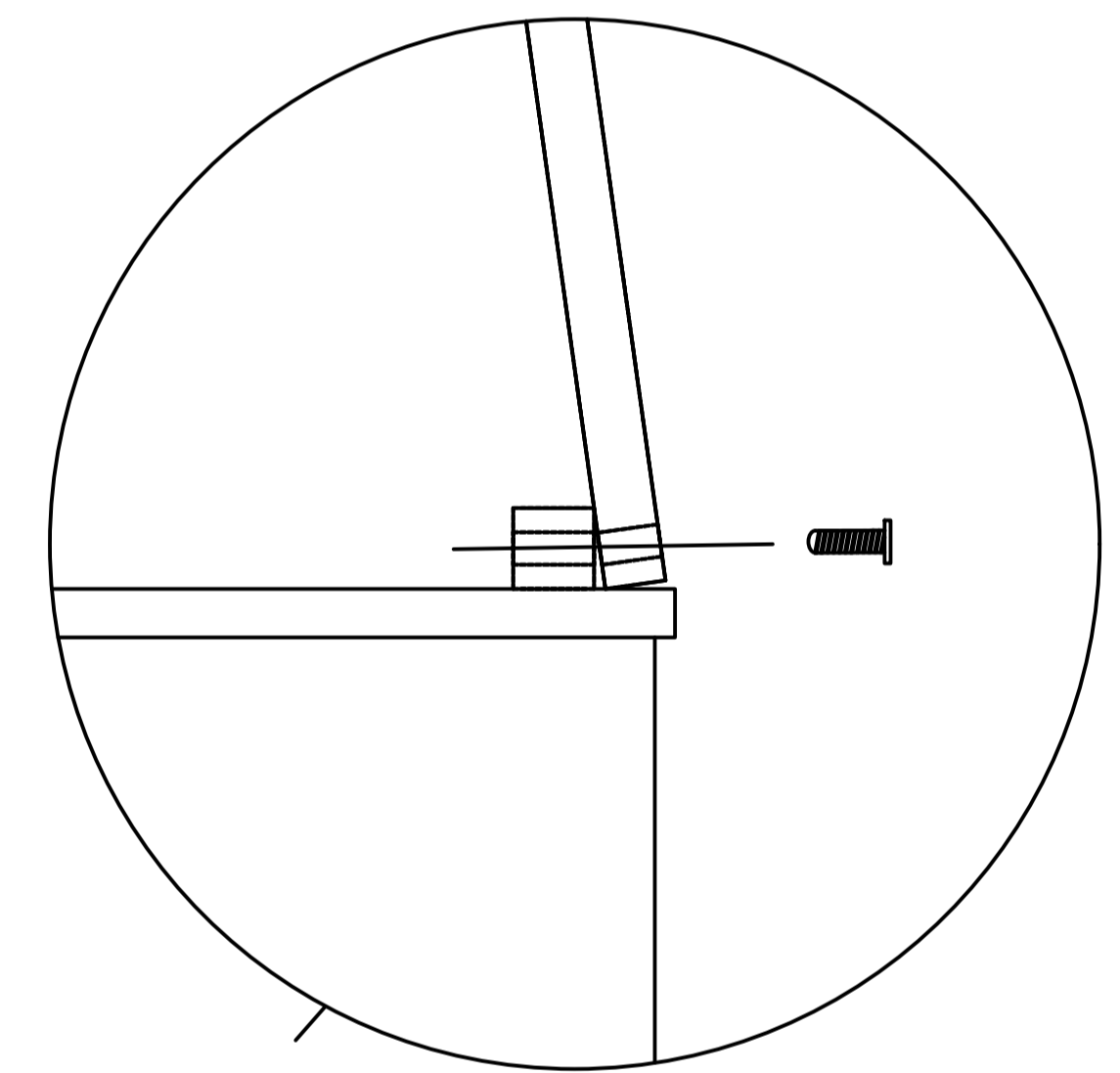
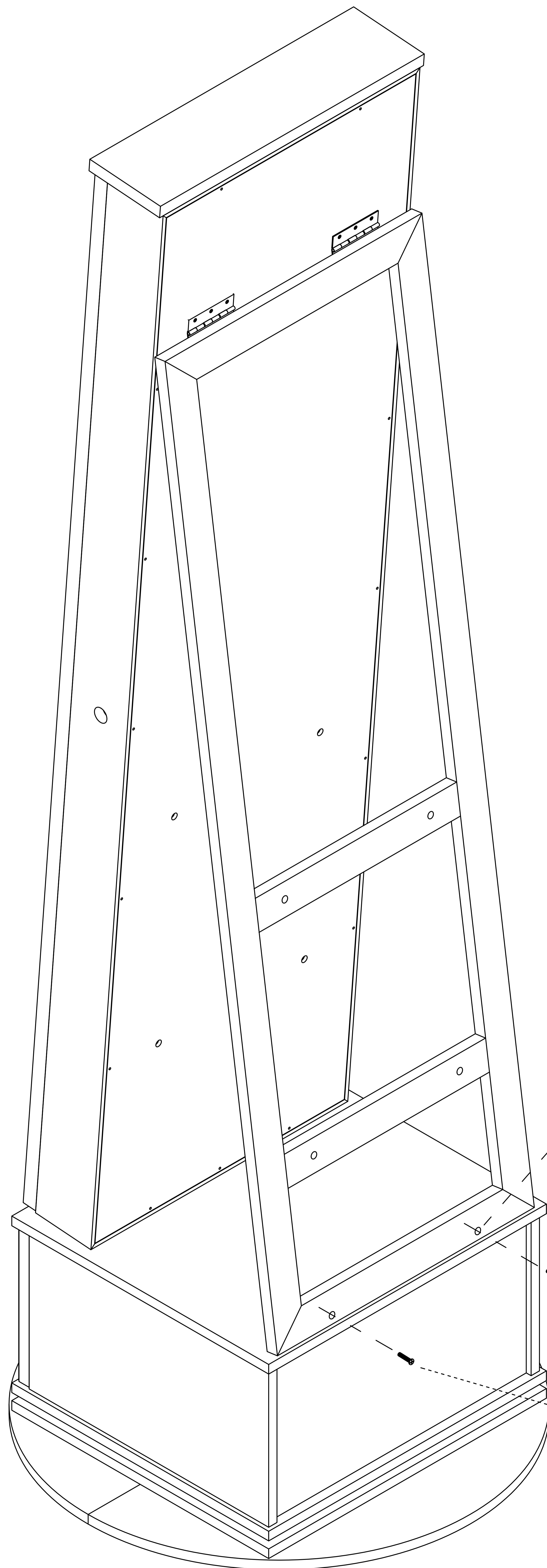


Step 24

G



x2

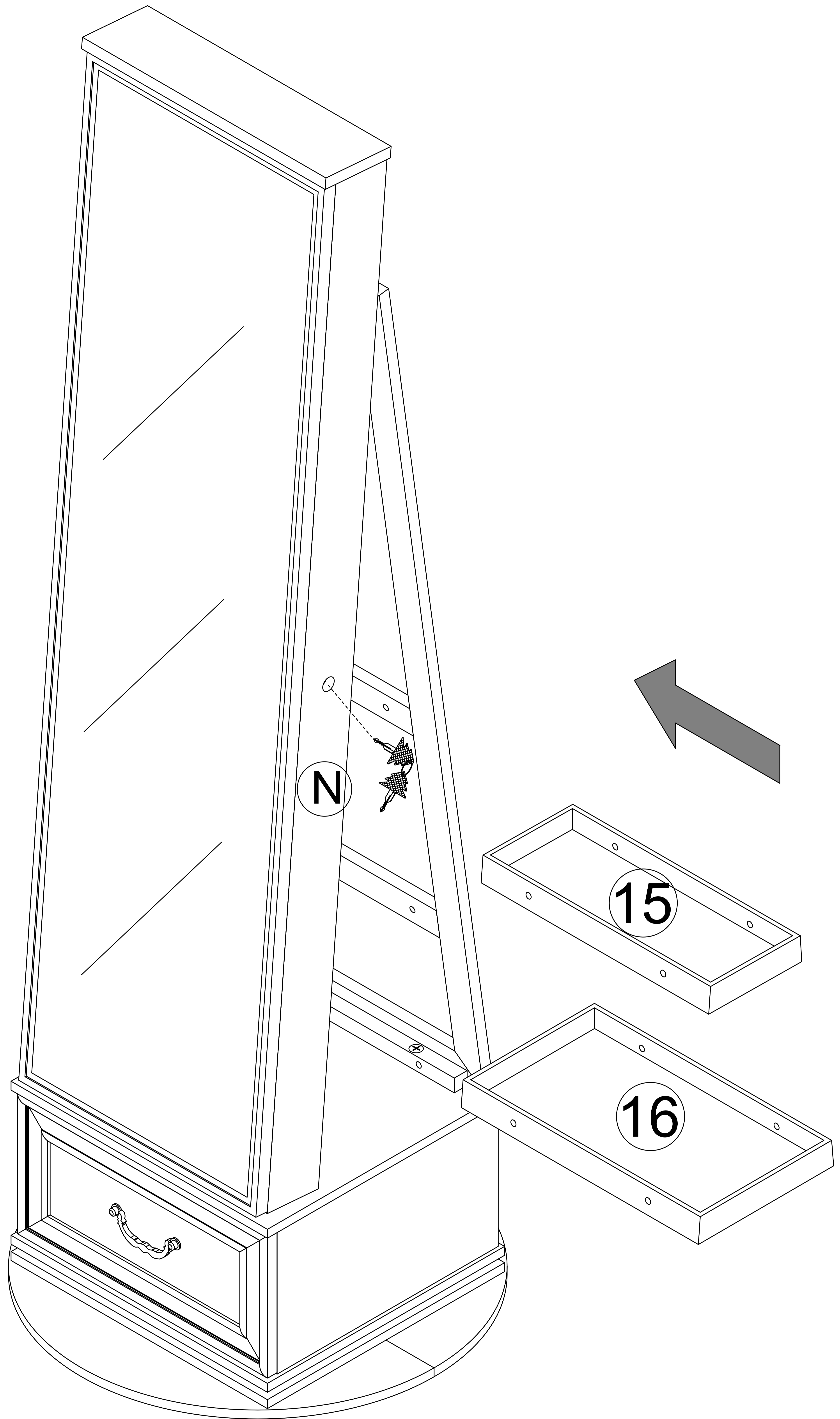


Step 25

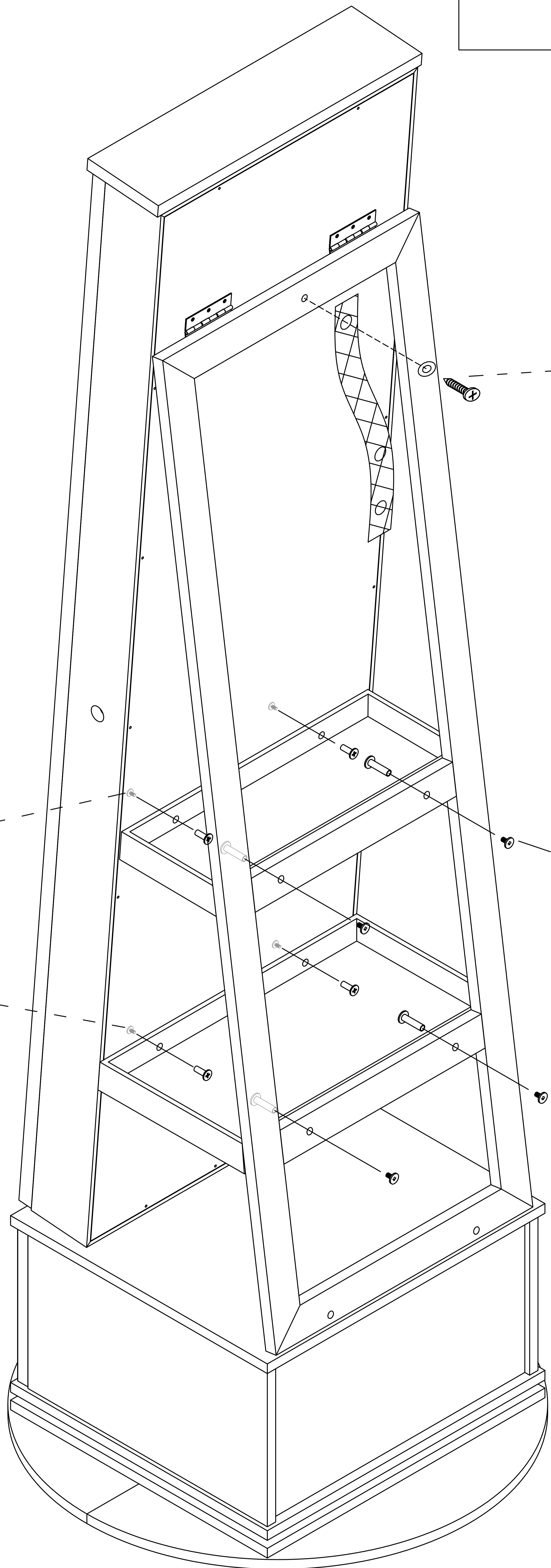
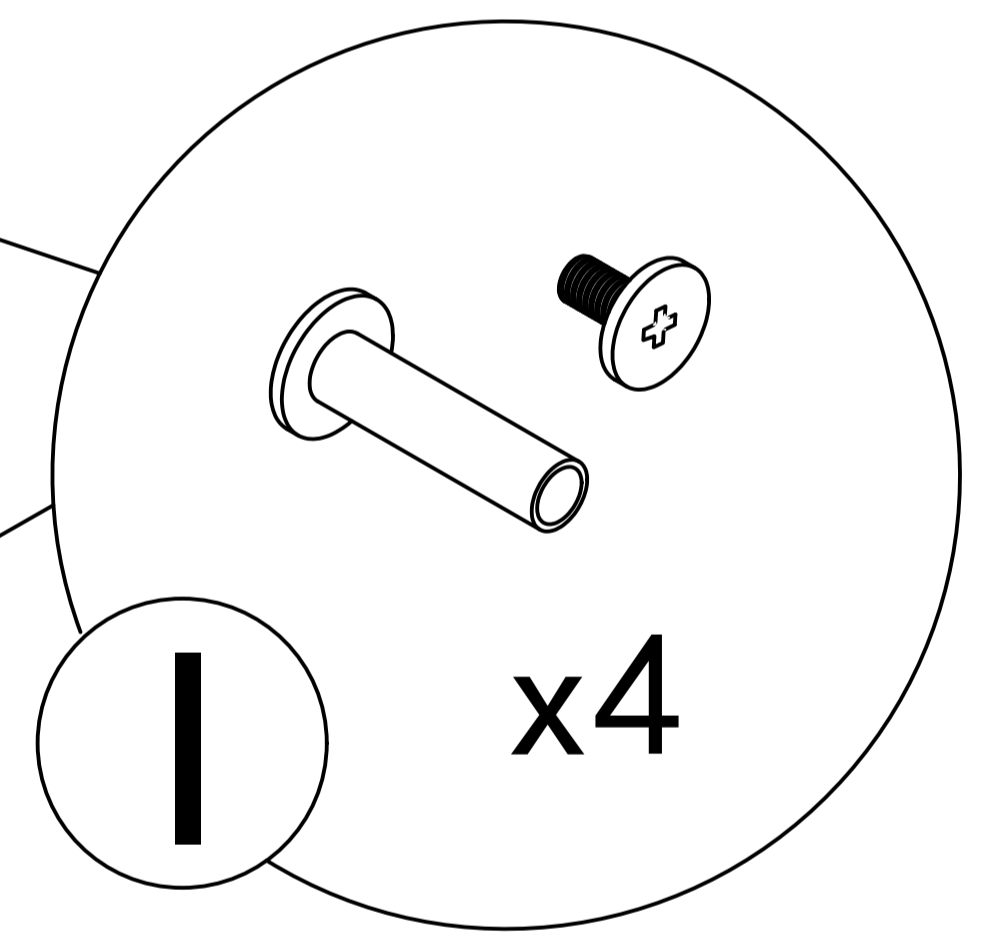
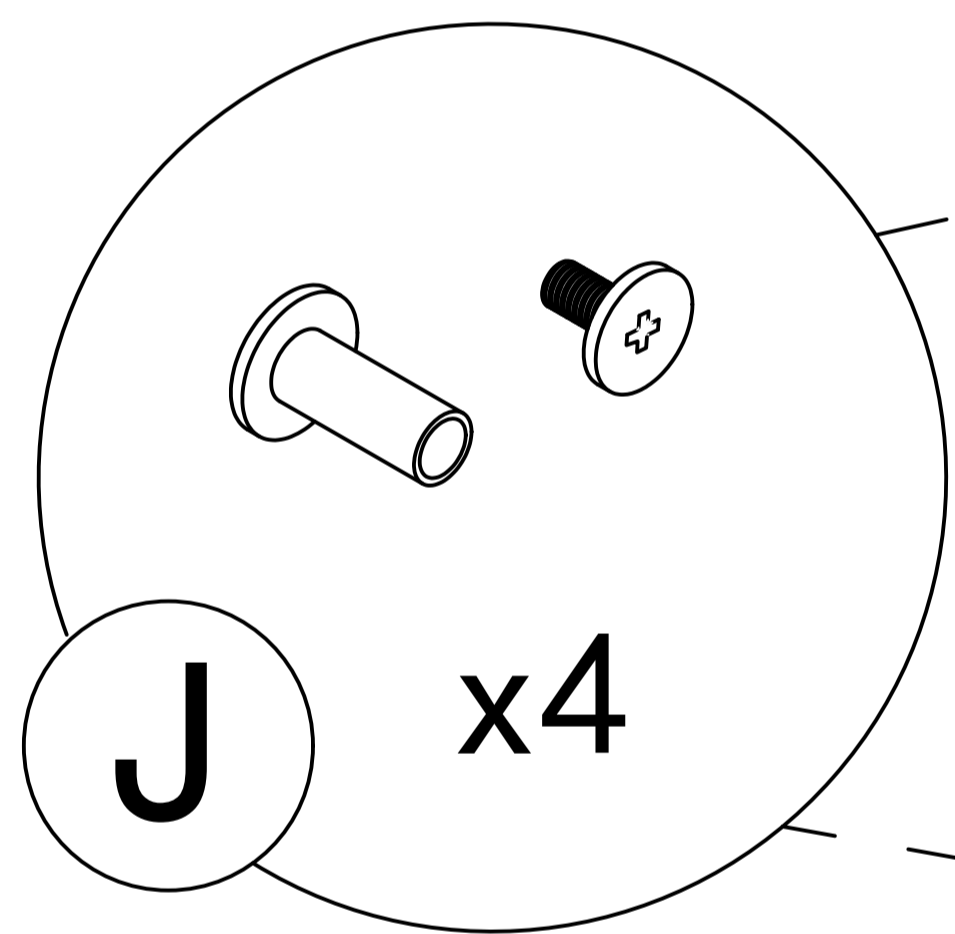
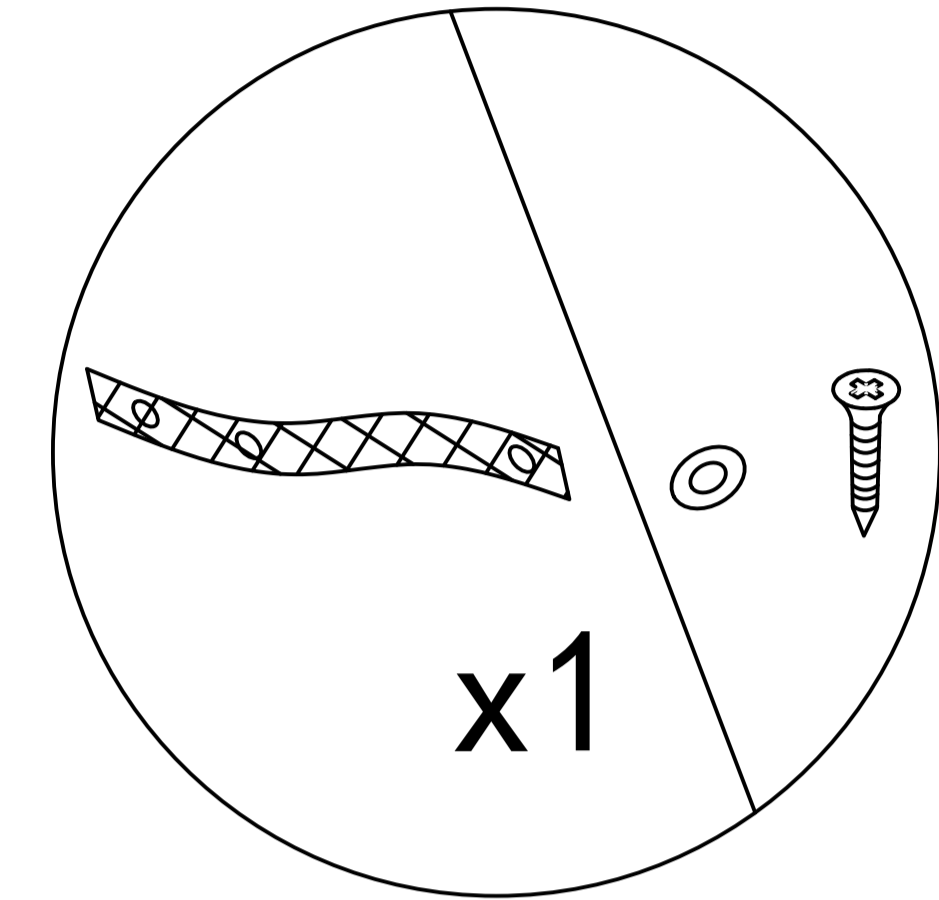
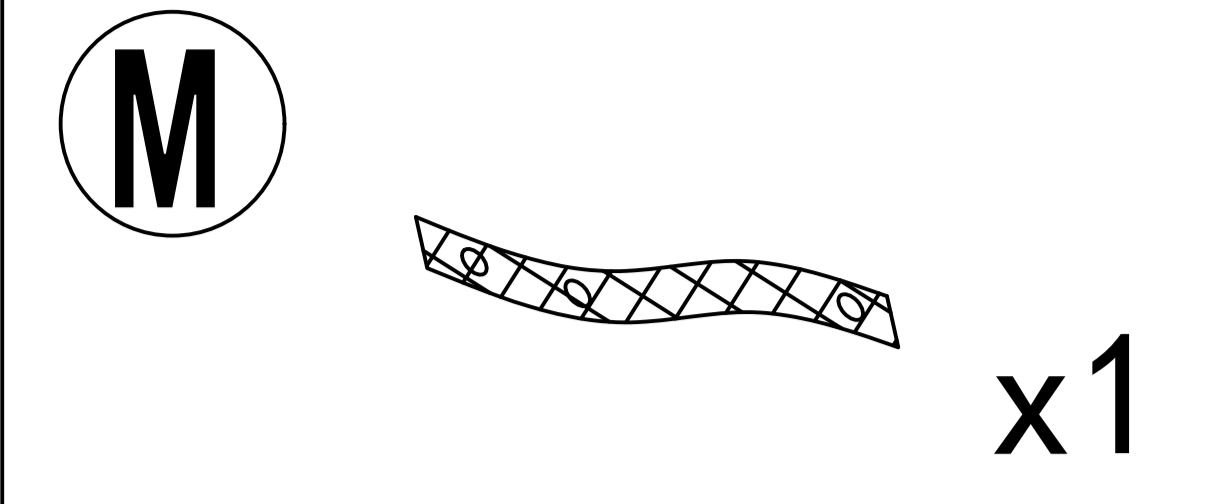
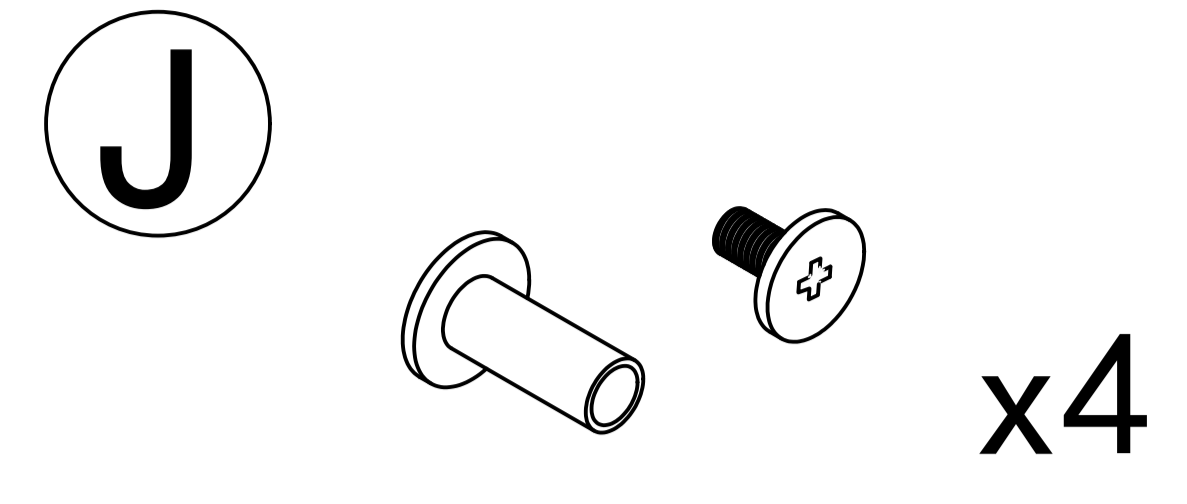
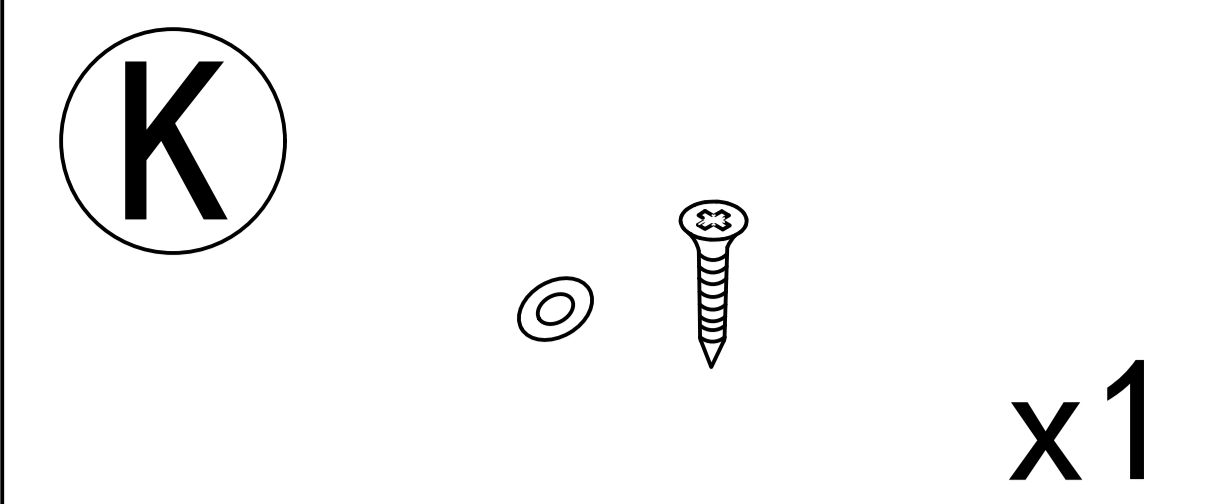
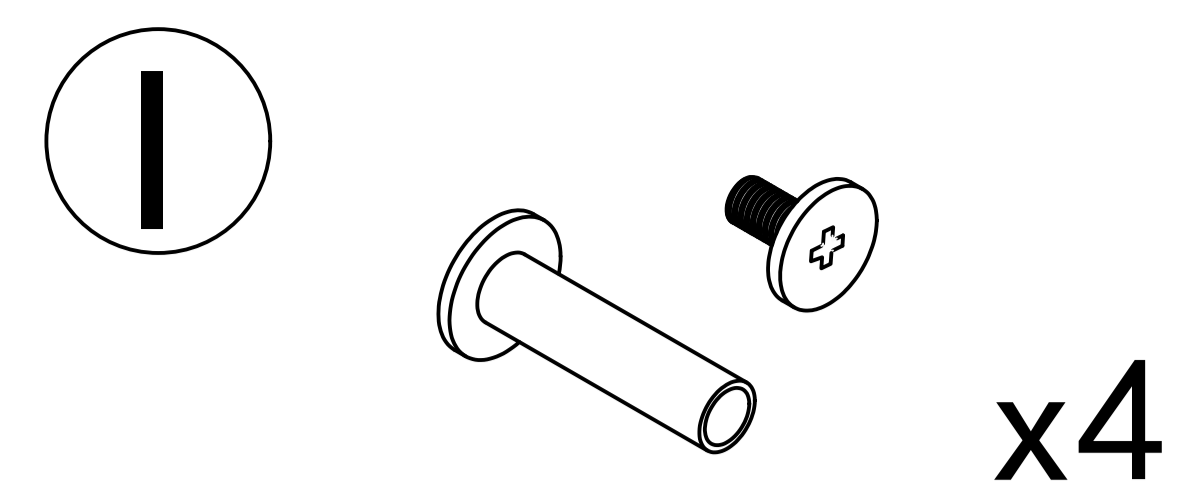
N



x1

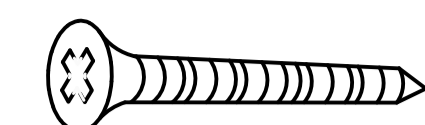
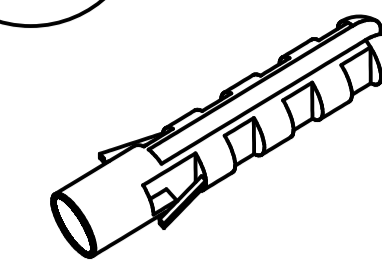


Step 26



Step 27

L



x1

