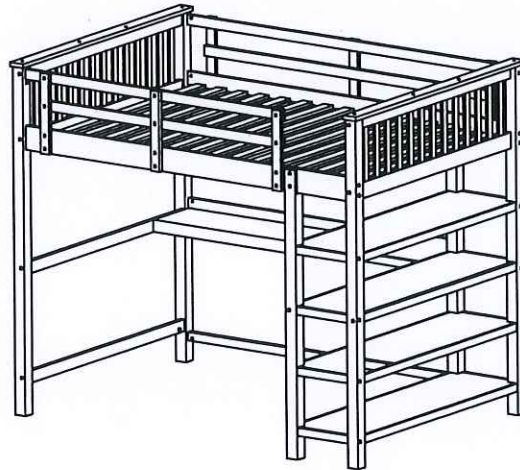


ASSEMBLY INSTRUCTION

LOFT BED TWIN SIZE WITH SHELVES
WF286689/286690



! SAFETY WARNINGS !

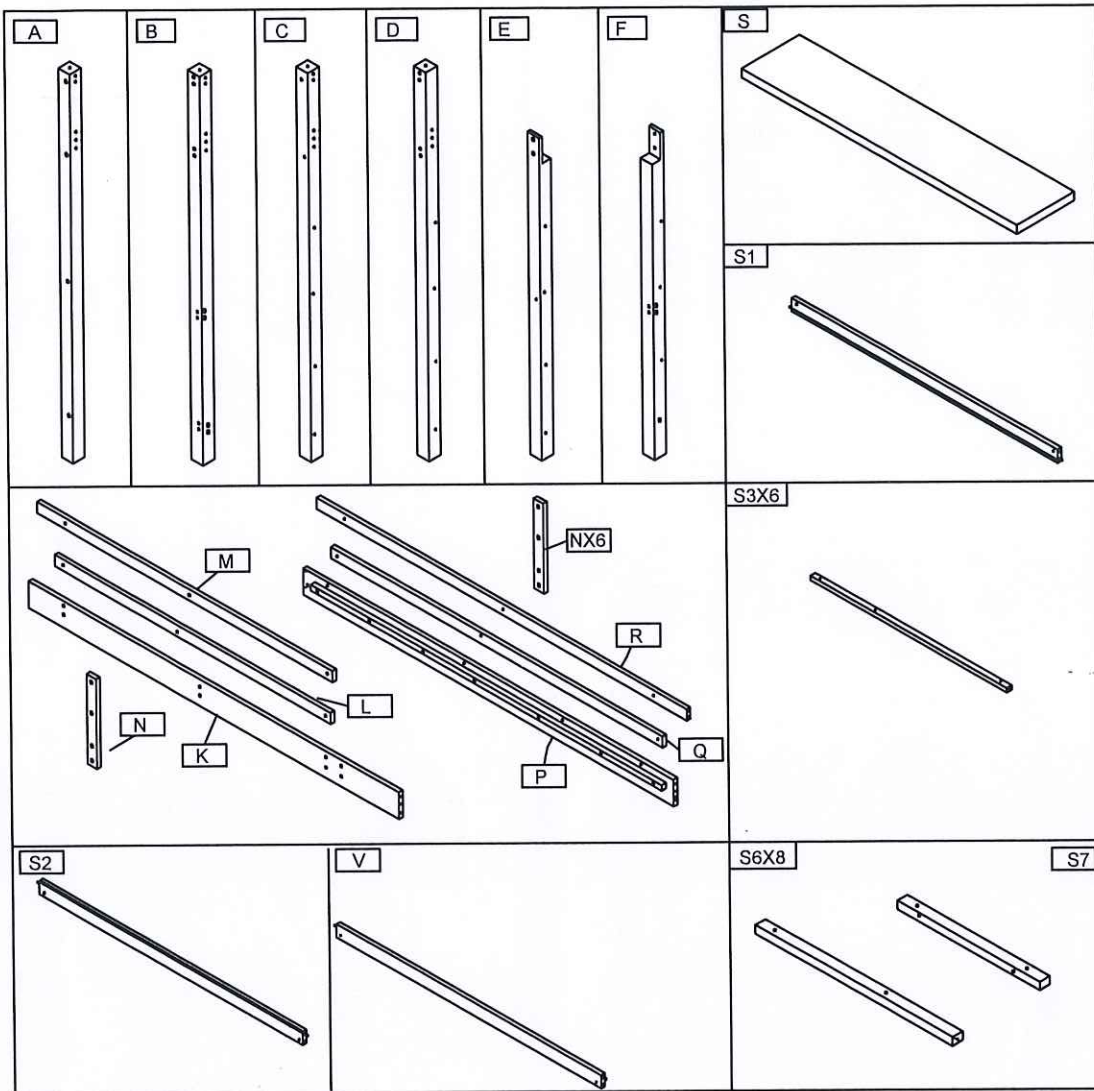
1. This bed is designed for use only mattress(es) meeting the following specifications on the upper bunk, and lower bunk:

Bed Type	Length	Width	Thickness
<i>Twin Standard</i>	<i>74" - 75"</i>	<i>38 1/2"</i>	<i>6" max</i>

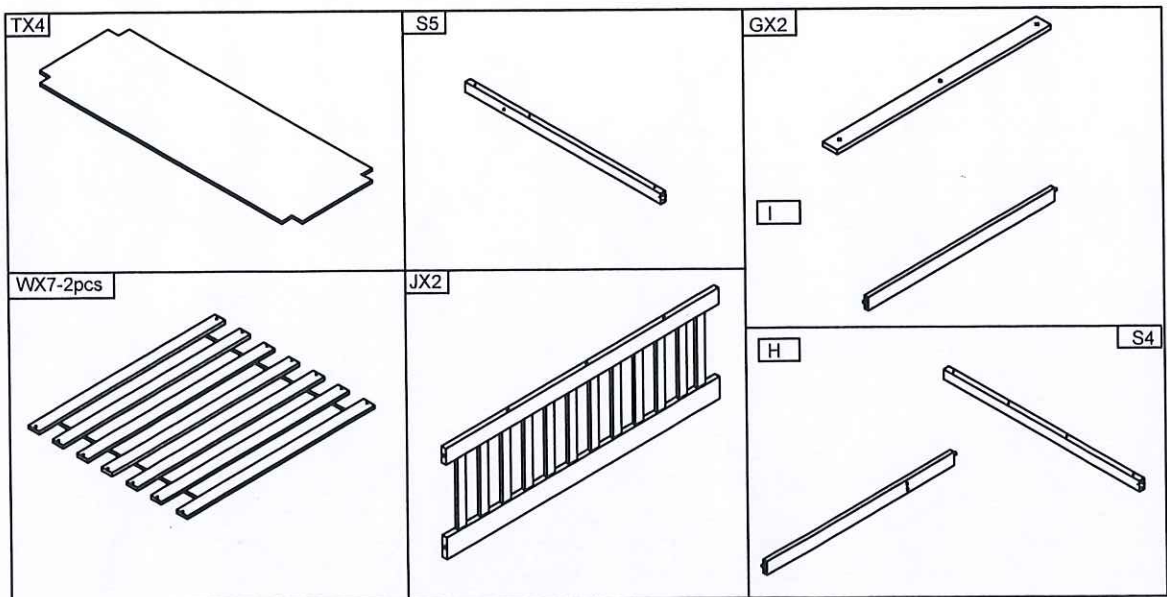
2. Replacement parts, including additional guardrails, may be obtained from any of our (GIGACLOUD TECHNOLOGY(USA)INC) dealers
3. Follow the information on the warnings appearing on the upper bunk bed end structure and on the carton. Do not remove warning label from bed.
4. Always use the recommended size mattresses or mattress supports, or both, to help prevent the likelihood of entrapment or falls.
5. Surface of the mattress must be at least 5 in. (127 mm) below the upper edge of guardrails.
6. Do not allow children under 6 years of age to use the upper bunk.
7. Periodically check and ensure that the guardrail, ladder, and other components are in their proper position, free from damage, and that all connectors are tight.
8. Do not allow horseplay on or under the bed and prohibit jumping on the bed
9. Always use the ladder for entering and leaving the upper bunk.
10. Do not use substitute parts. Contact the manufacturer or dealer for replacement parts.
11. Use of a night light may provided added safety precaution for a child using the upper bunk.
12. Always use guardrails on both long sides of the upper bunk. If the bunk bed will be placed next to the wall, the guardrail that runs the full length of the bed should be placed against the wall to prevent entrapment between the bed and wall.
13. The use of water or sleep flotation mattresses is prohibited.
14. STRANGULATION HAZARO -Never attach or hang items to any part of the bunk bed that are not designed for ued with the bed ,for example ,but not limited to,hook,belts and jump ropes
15. Keep these instructions for future reference
- 16.Prohibit morethan one person on upper bunk.

01/10


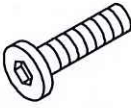


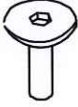


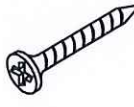


WF286689 LOFTBED TWIN SIZE WITH SHELVES



WF286690 LOFTBED TWIN SIZE WITH SHELVES




HARDWARE WF286689/286690

① Bolts-M6x30 -28pcs 	② Bolts-M6x60 -2pcs 	③ Bolts-M6x80 -15pcs 	⑫  Ø1/4 "30 mm 30 pcs	
⑤ M13 x15-28pcs 	⑥ Wood-screw 6x70-16pcs 	⑦ Wood-screw 6 x90-16pcs 	⑧ screw 4x30 -90pcs 	⑨ Allen key M4 
				④ Ø6x13 -17pcs 

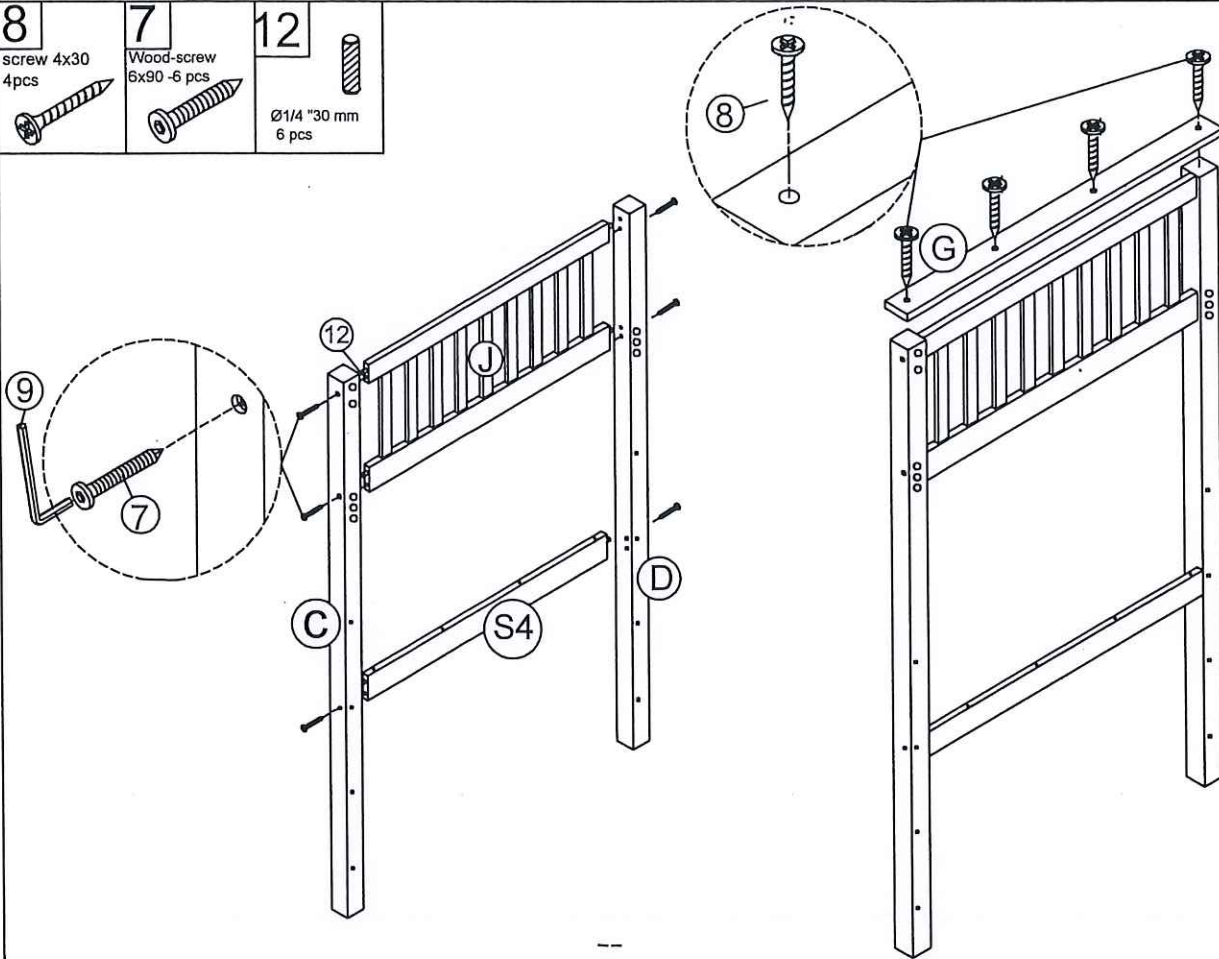
Step 1



Detail View

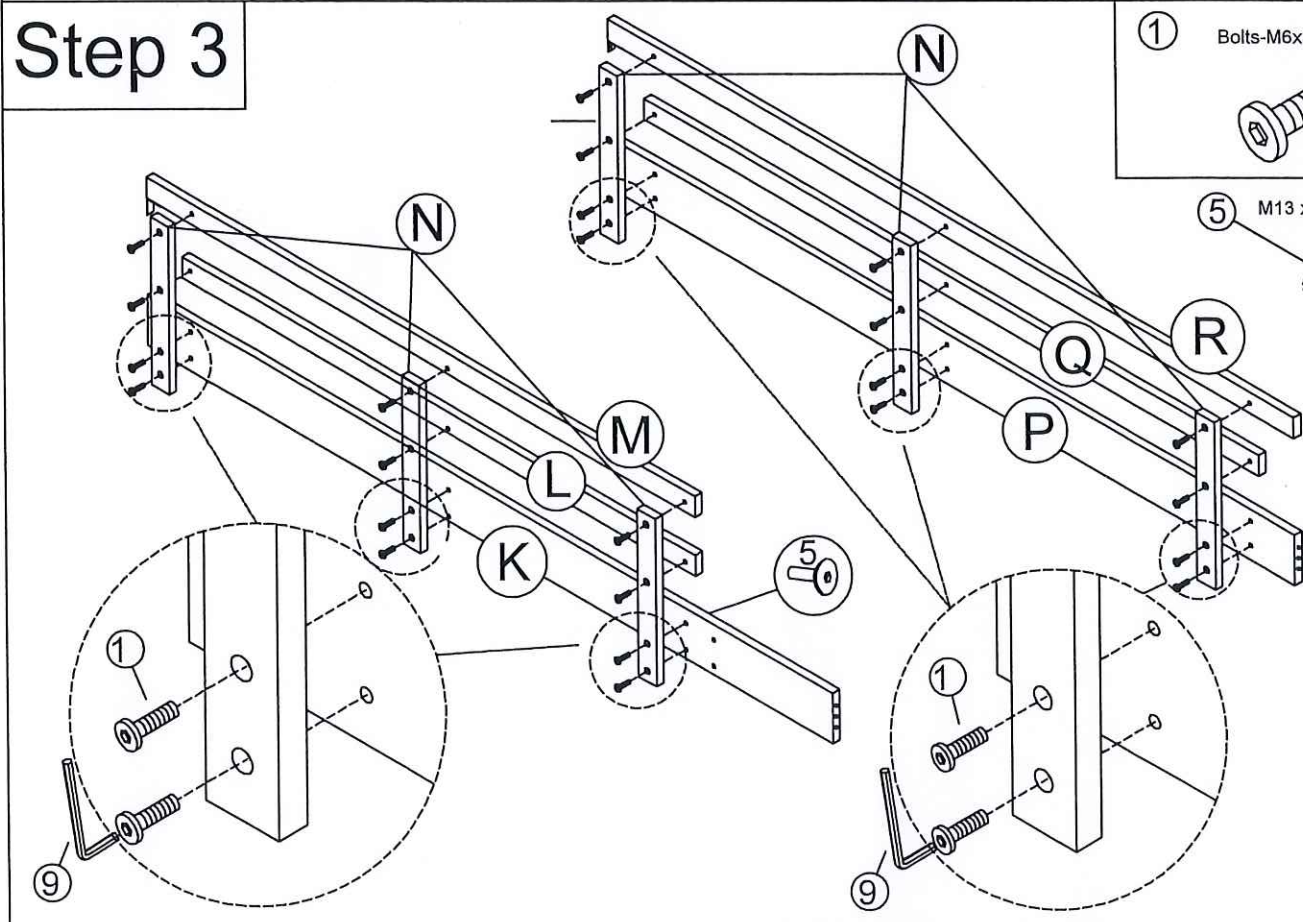
8 screw 4x30 4 pcs	7 Wood-screw 6x90 -6 pcs	12  Ø1/4 "30 mm 6 pcs
---------------------------------	---------------------------------------	--

Step 2







Step 3

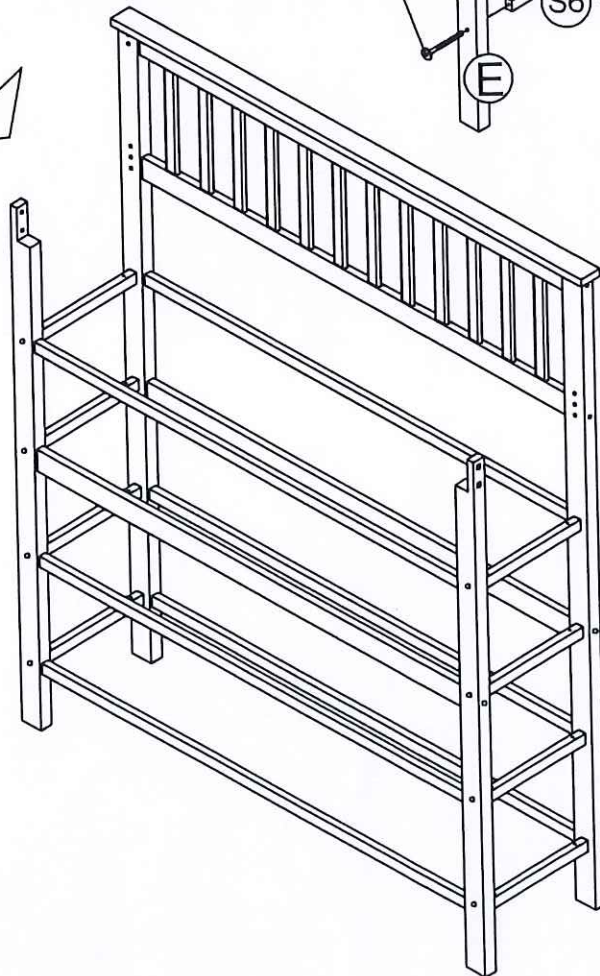
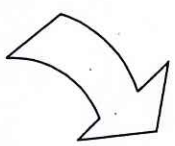
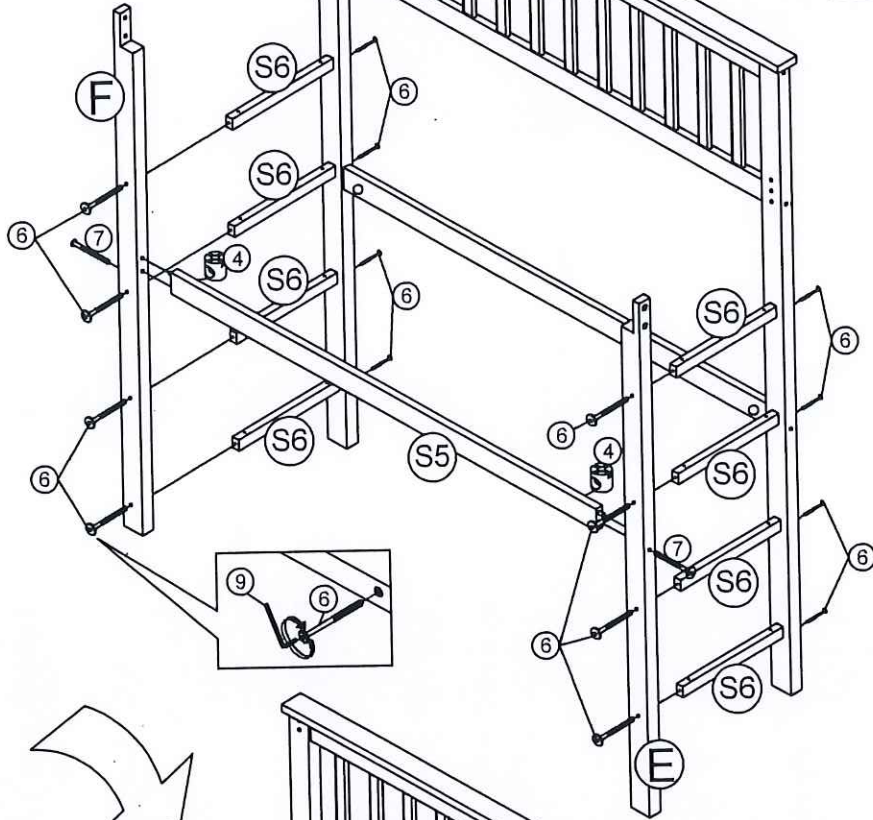
1 Bolts-M6x30 -24pcs	5 M13 x15-24pcs
--------------------------------	---------------------------



Detail View

Step 4

12		7	Bolts-M6x100 2 pcs	6	wood-screw 6x70 16 pcs
	Ø1/4 "30 mm 2 pcs				
				4	
					Ø1/4 "13 mm 2 pcs

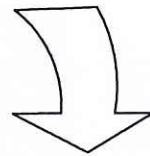
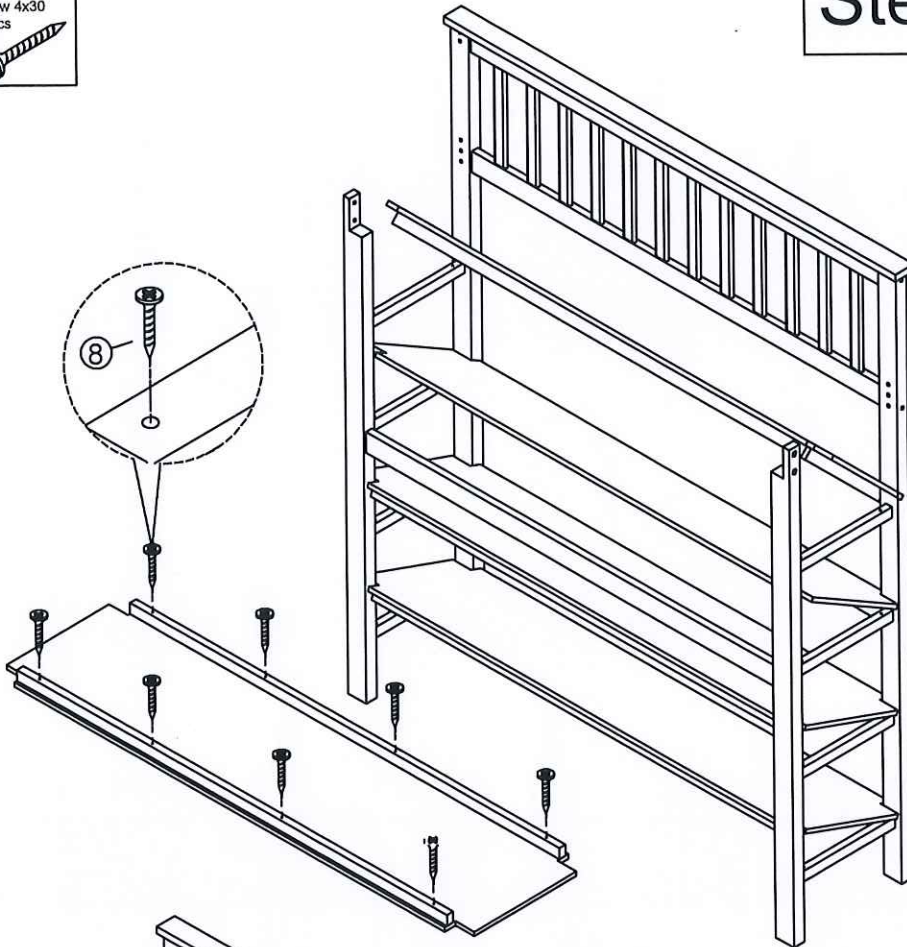


Detail View

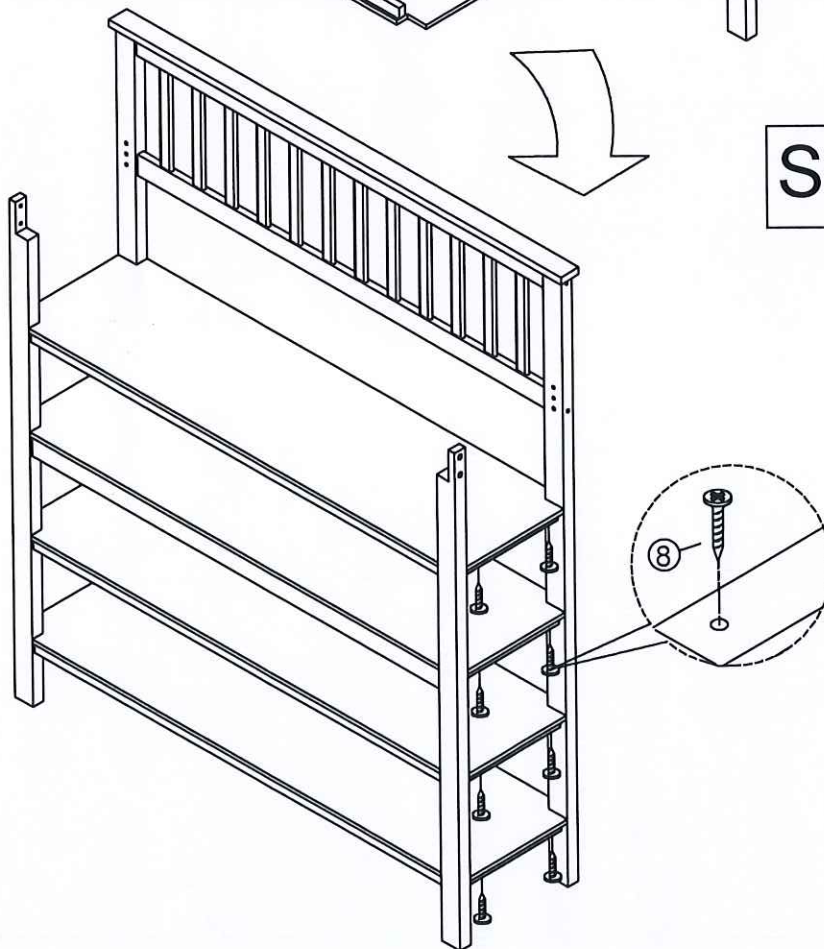
8
screw 4x30
48pcs






Step 5



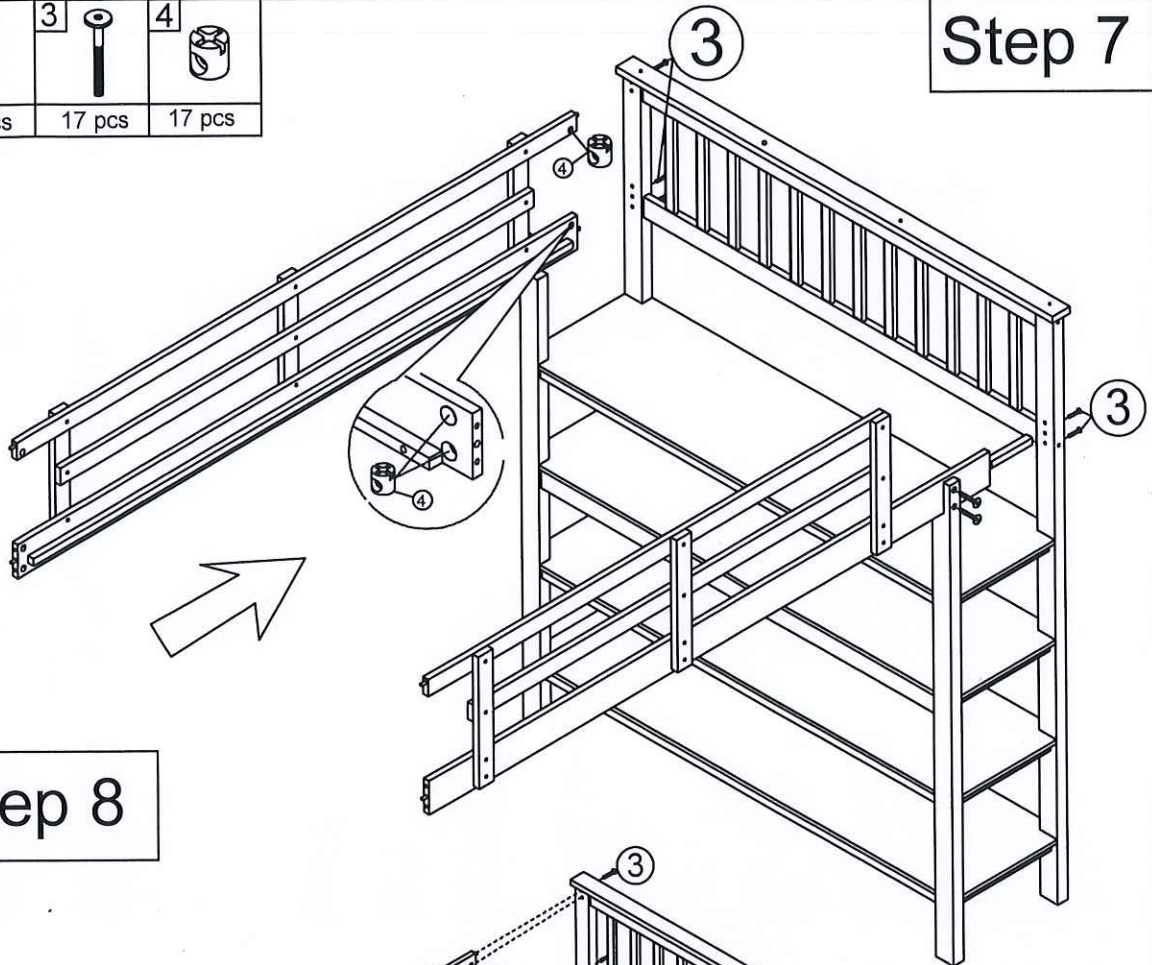
Step 6



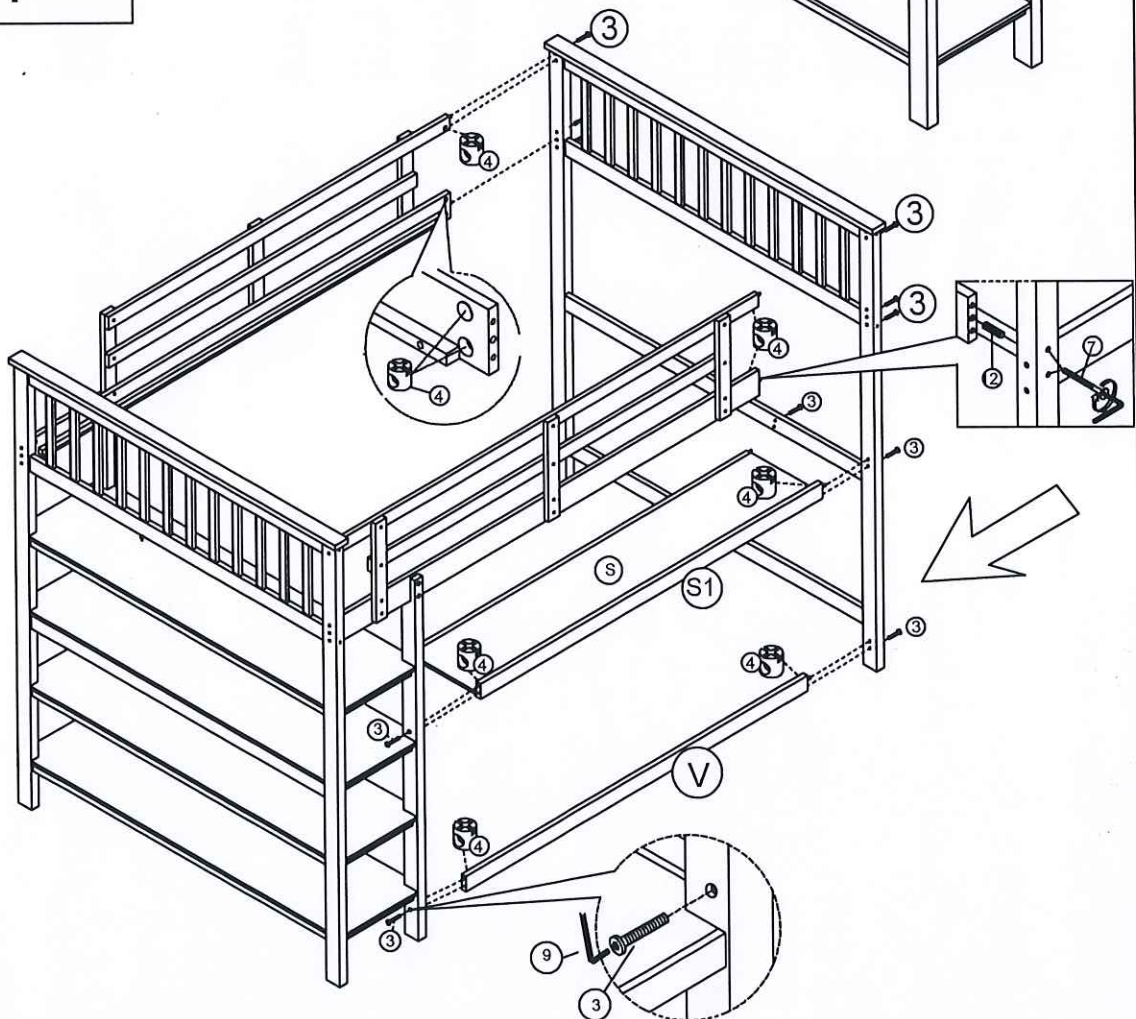
DETAIL VIEW

12	3	4
		
12 pcs	17 pcs	17 pcs

Step 7

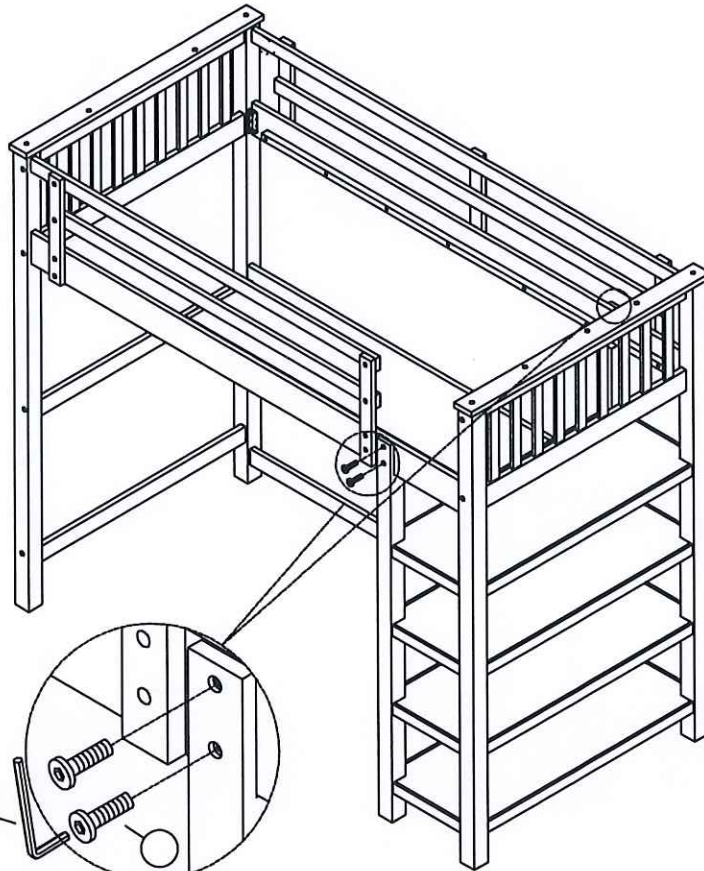


Step 8



DETAIL VIEW

Step 9

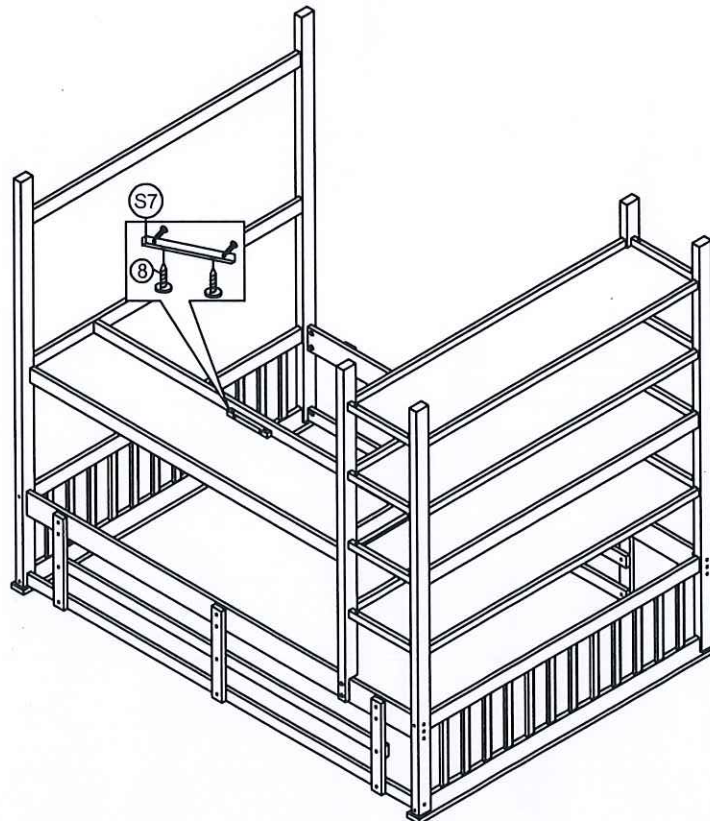


Step 10

8



4X30mm - 4PCS

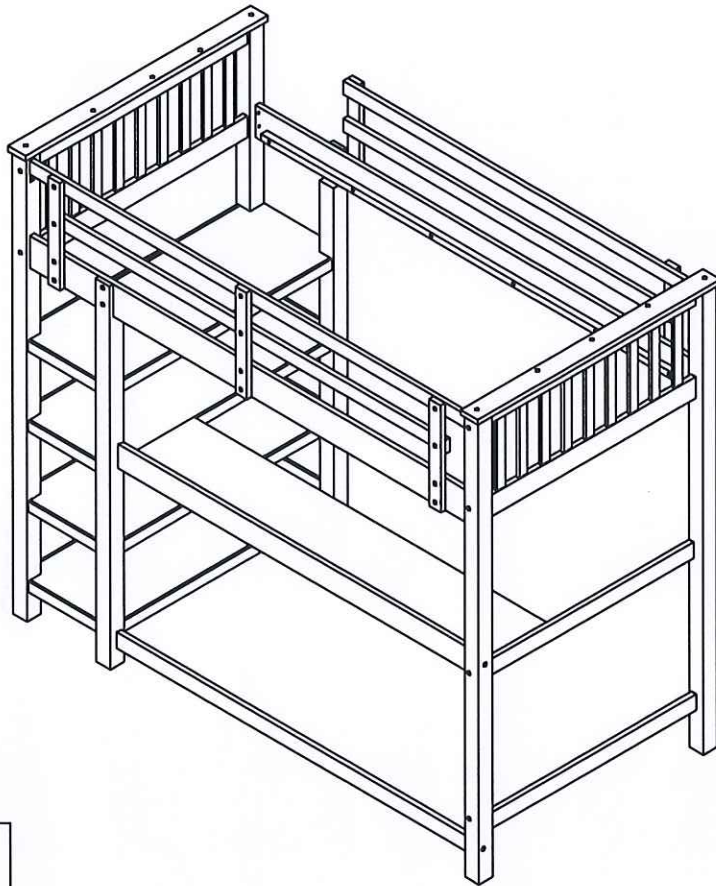


DETAIL VIEW

8



20PCS



Step 11

Step 12

