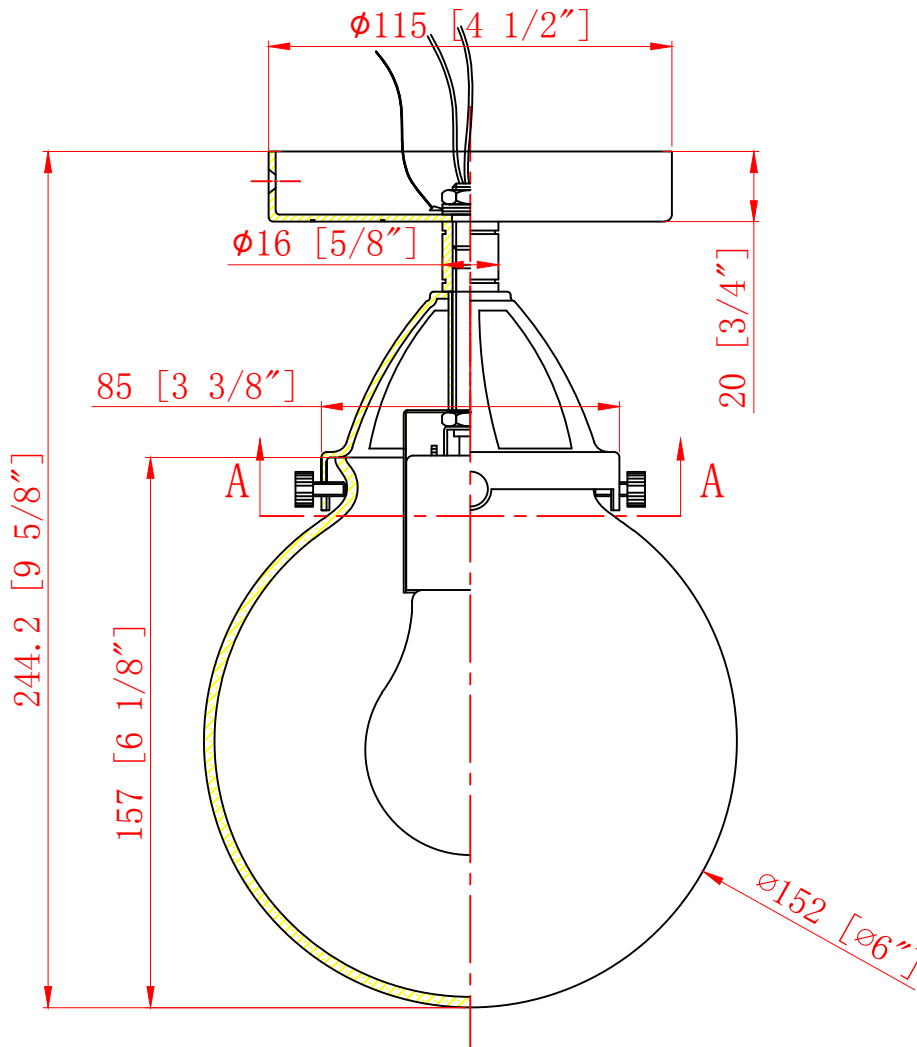
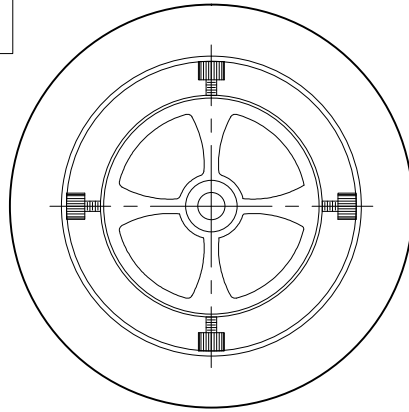


**UL SPECIFICATION**

- \* FIXTURE SHALL BE LISTED FOR LOCATION ONLY AND LABELED AS SUCH.
- \* FIXTURE MUST BE MANUFACTURED IN ACCORDANCE WITH UL STANDARD 1598.

**PARTS SPECIFICATIONS**  
**ITEM QTY DESCRIPTION**

- A (1) SOCKET- UL LISTED/CSA CERTIFIED  
BASE= MEDIUM  
SOCKET= PORCELIN  
SEE LEAD WIRE FOR SOCKET WIRE SPEC.
- B (1) LEAD WIRE- 7" [180] FROM CANOPY  
UL LISTED/CSA CERTIFIED, AWG #18  
105°C BLACK AND WHITE WIRE.  
STRIP 1/2 [12.7], SPLIT 3 [76.2].  
FROM TOP OF SCROLL.  
(SEE CHART FOR COLOR).
- C (1) GROUND WIRE- 7" [180] FROM CANOPY  
1/4 LAY COPPER GROUND WIRE.  
FROM TOP OF SCROLL.  
(SEE CHART FOR TINT).



NO.	PART NO.	DESCRIPTION	REQ.

DRAWN IN THIRD ANGLE PROJECTION 	*mm* DIMENSION INDICATED IN [ ] DIMENSION IN [ ] IS FOR REF. ONLY				TITLE		
	TOLERANCES (EXCEPT AS NOTED)				PART NO.		
	DECIMAL NONE ±.031 .X ±.015 .XX ±.010 .XXX ±.005	ANGULAR ± 1/2°	FRACTIONAL ± 1/32	SCALE 1:2	DRAWN BY SSL	CHECKED BY X	APPROVED BY X
	DATE 07/08/2020	DRAWN BY SSL	CHECKED BY X	APPROVED BY X	ITEM NO.	REV. A	