

EASY INSTALLATION

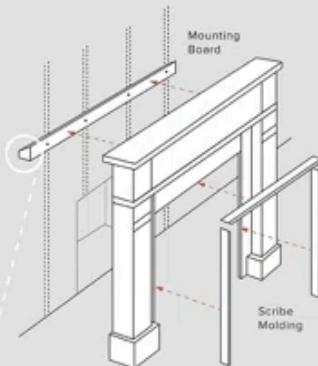
STEP 1

Mount the french cleat mounting board to the wall.



STEP 2

Lift and place the fireplace mantel over the mounting board. Ensure the french cleat mounting board is properly connected. Attach scribe molding on the inside edge of the mantel.



**INCLUDES MOUNTING BOARD, WOOD SCREWS
AND STEP-BY-STEP INSTRUCTIONS**