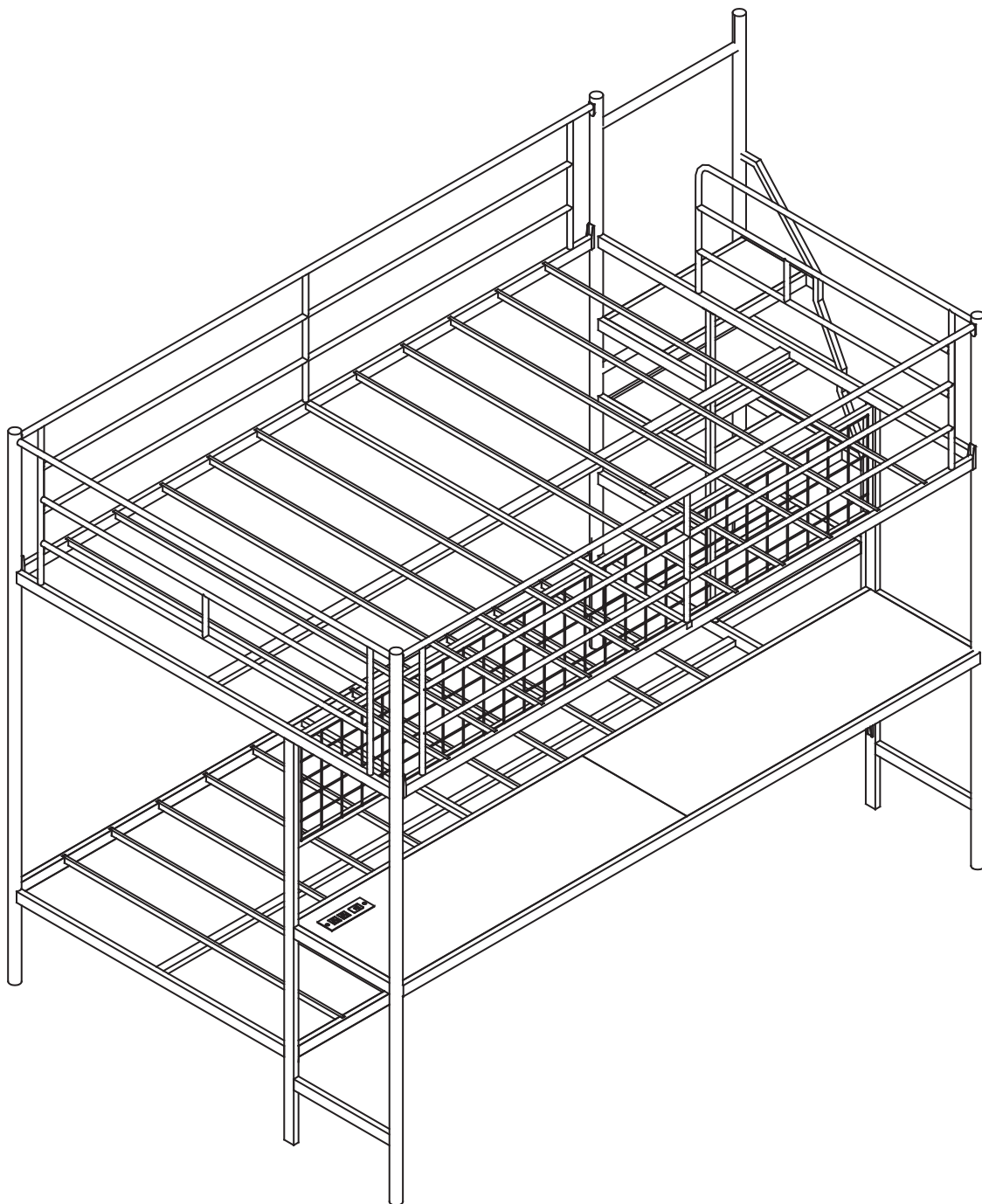




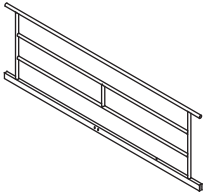
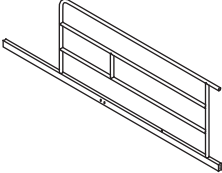
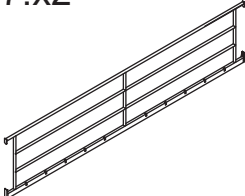
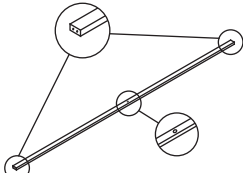
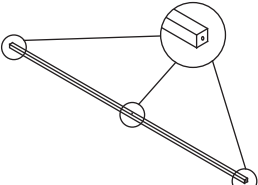
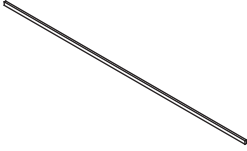
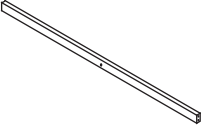
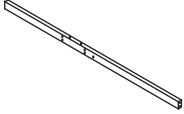

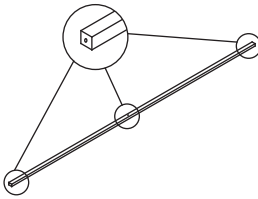
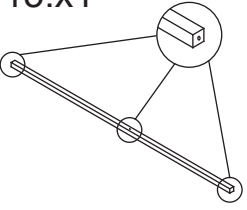
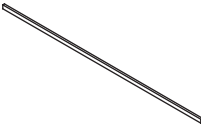

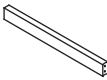
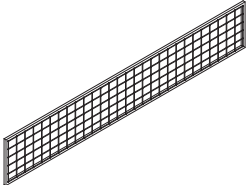
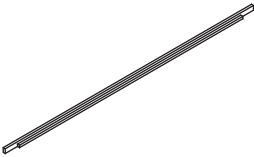
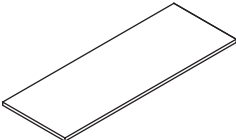

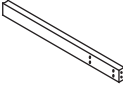
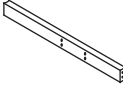
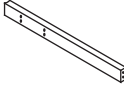
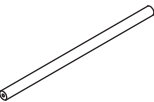
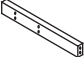
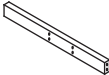
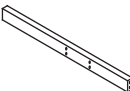
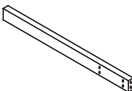

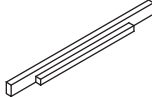
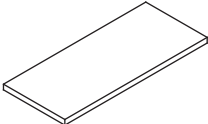
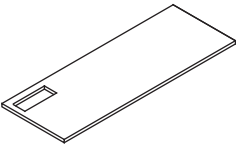
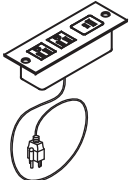



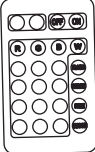





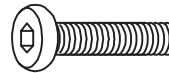
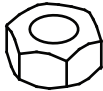



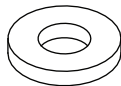
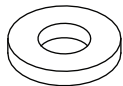


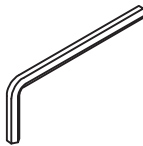
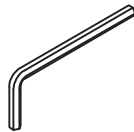

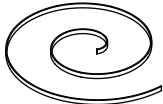
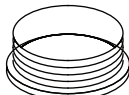
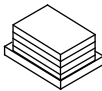


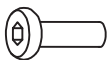
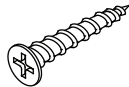


ASSEMBLY INSTRUCTION

This installation manual is the correct version

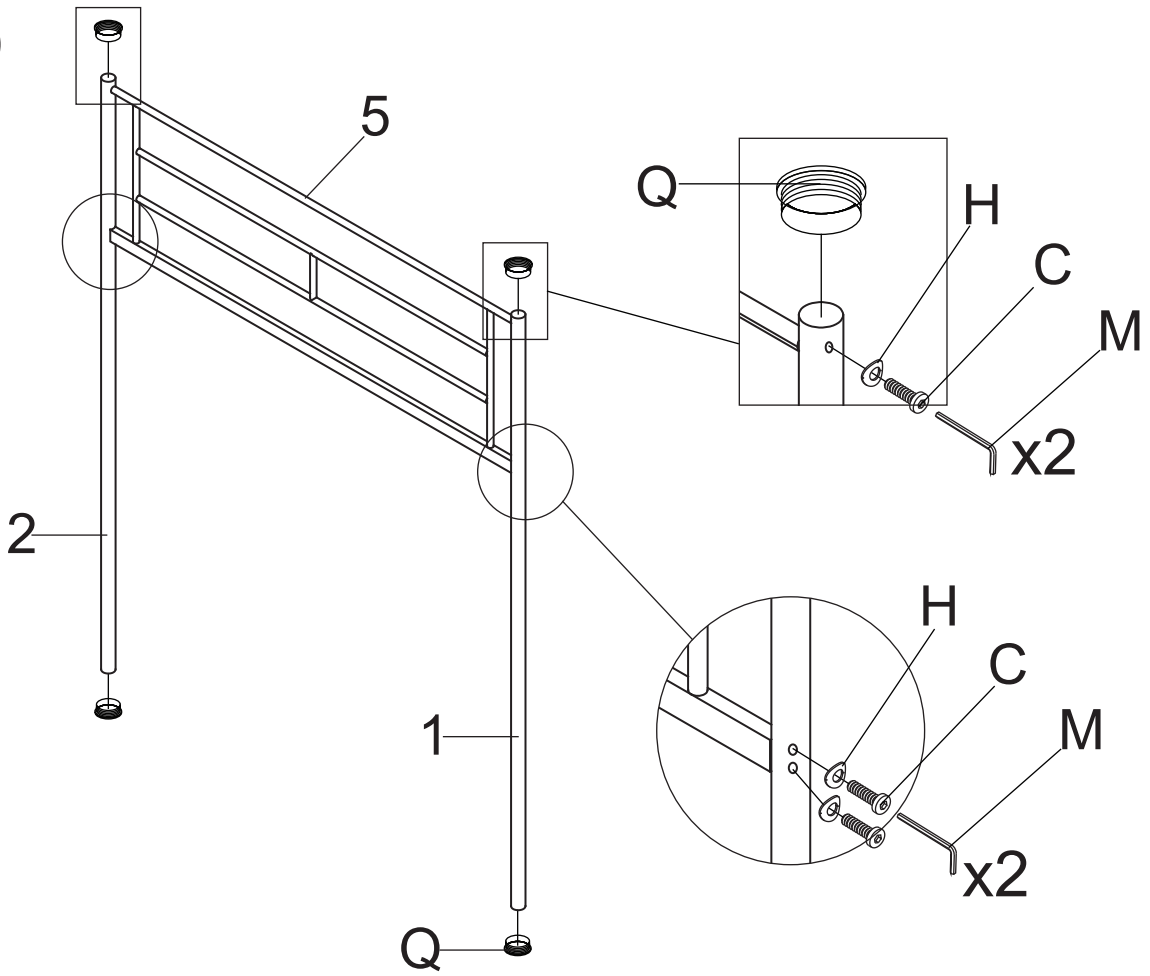
Note: Distinguishing between the numbers 6 and 9 is different, with the number 9 underlined; Please tighten all screws by 60% first, and then tighten them by 100% after installation is complete.



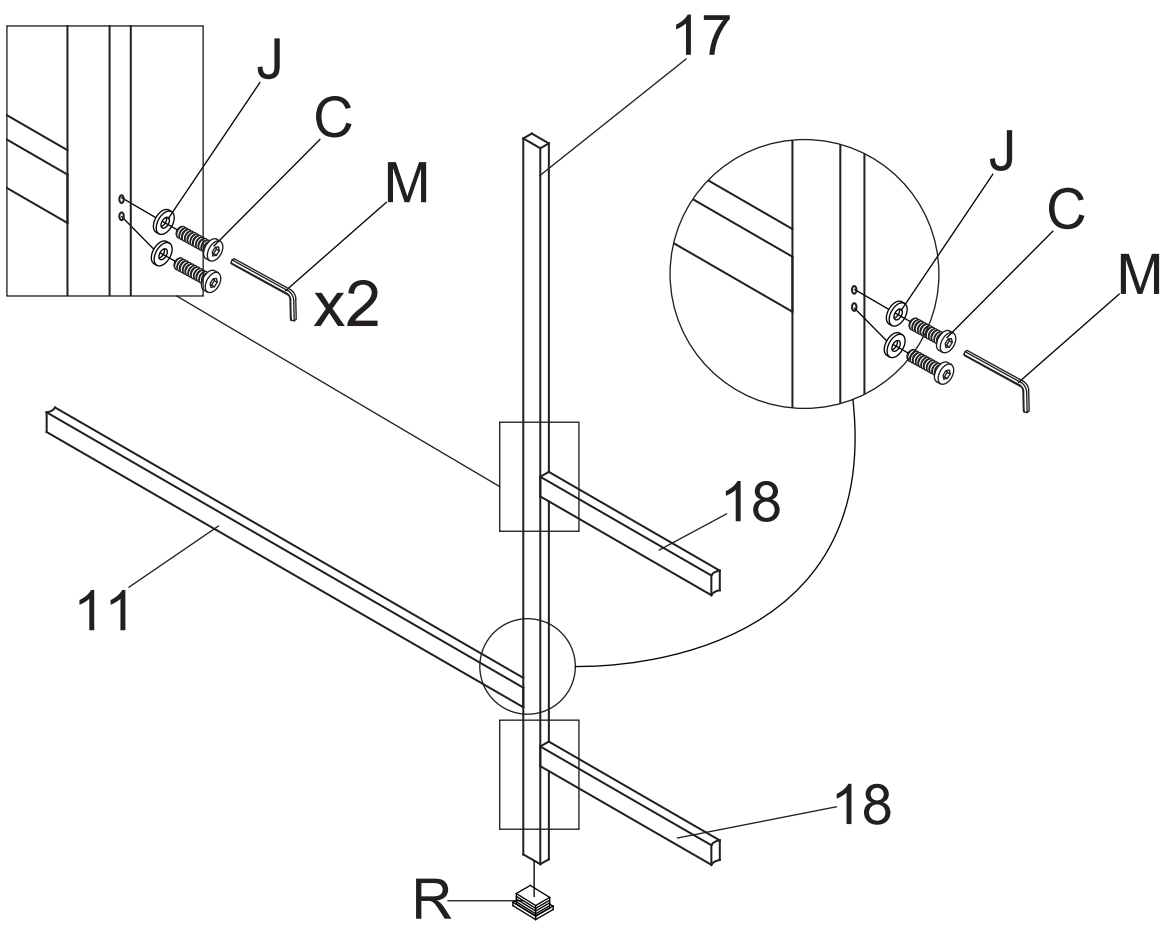
1.x2 	2.x1 	3.x1 	4.x1 	5.x1 
6.x1 	7.x2 	8.x1 	9.x1 	10.x10 
11.x1 	12.x1 	13.x2 	14.x1 	15.x1 
16.x10 	17.x2 	18.x4 	19.x1 	20.x2 
21.x2 	22.x1 	23.x1 	24.x1 	25.x1 
26.x3 	27.x1 	28.x1 	29.x1 	30.x1 
31.x1 	32.x8 	33.x4 	34.x1 	35.x1 
36.x1 	37.x1 	38.x1 	39.x1 	

<p>A.x12pcs</p>  <p>M8x50mm</p>	<p>B.x4pcs</p>  <p>M8x35mm</p>	<p>C.x66pcs</p>  <p>M6x55mm</p>	<p>D.x68pcs</p>  <p>M6x35mm</p>	<p>E.x8pcs</p>  <p>M8</p>
<p>F.x4pcs</p>  <p>M6</p>	<p>G.x12pcs</p>  <p>M8x22mm</p>	<p>Hx50pcs</p>  <p>M6x16mm</p>	<p>I.x4pcs</p>  <p>M8x18mm</p>	<p>J.x84pcs</p>  <p>M6x16mm</p>
<p>K.x1pcs</p>  <p>M6</p>	<p>L.x1pcs</p>  <p>M8</p>	<p>M.x1pcs</p>  <p>5#</p>	<p>N.x1pcs</p>  <p>4#</p>	<p>O.x40pcs</p> 
<p>P.x4pcs</p> 	<p>Q.x10pcs</p>  <p>Ø38</p>	<p>R.x2pcs</p>  <p>20x40mm</p>	<p>S.x1pcs</p>  <p>20x20mm</p>	<p>T.x10pcs</p> 
<p>U.x2pcs</p> 	<p>V.x2pcs</p>  <p>M4x10mm</p>	<p>W.x1pcs</p> 	<p>X.x2pcs</p> 	

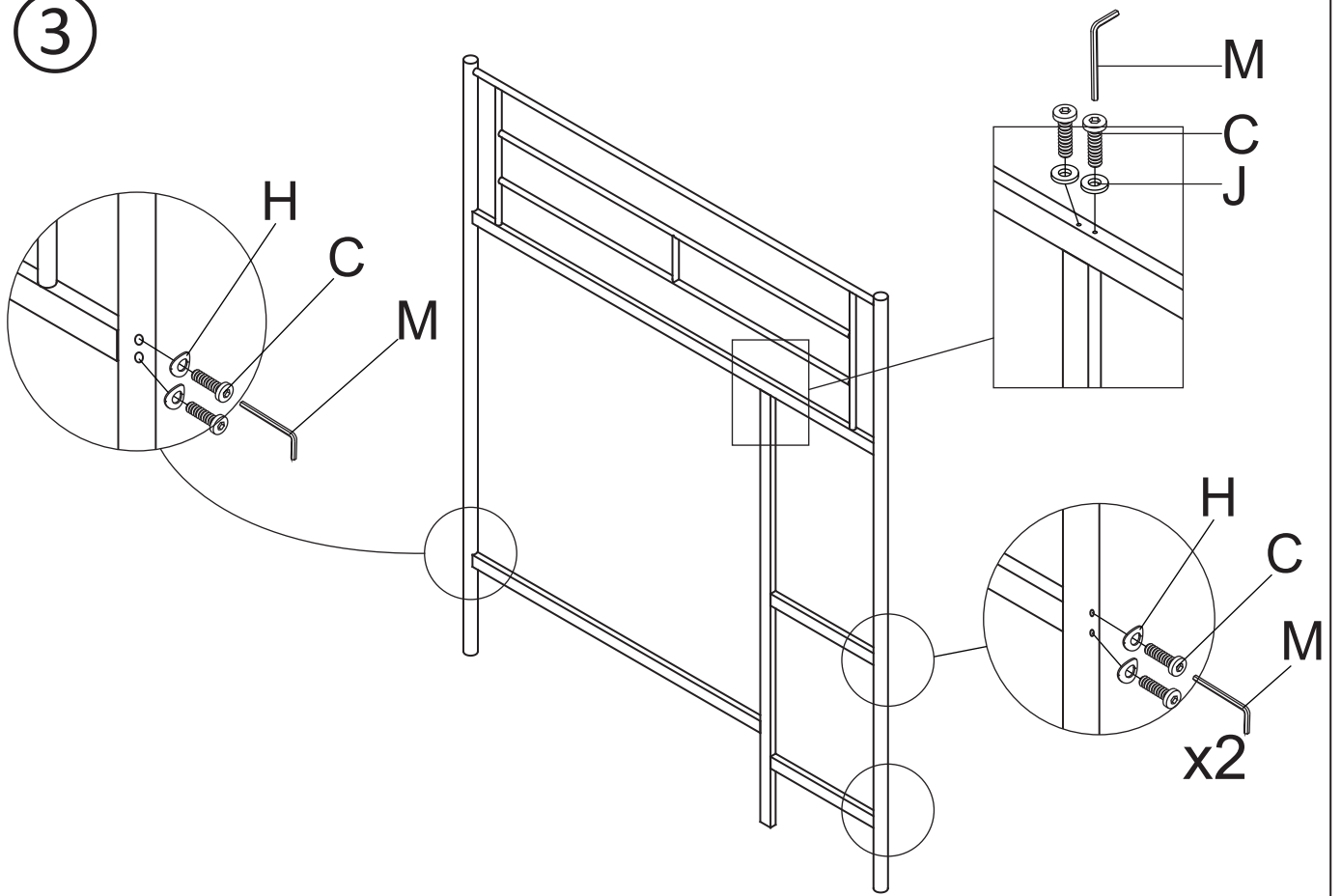
①



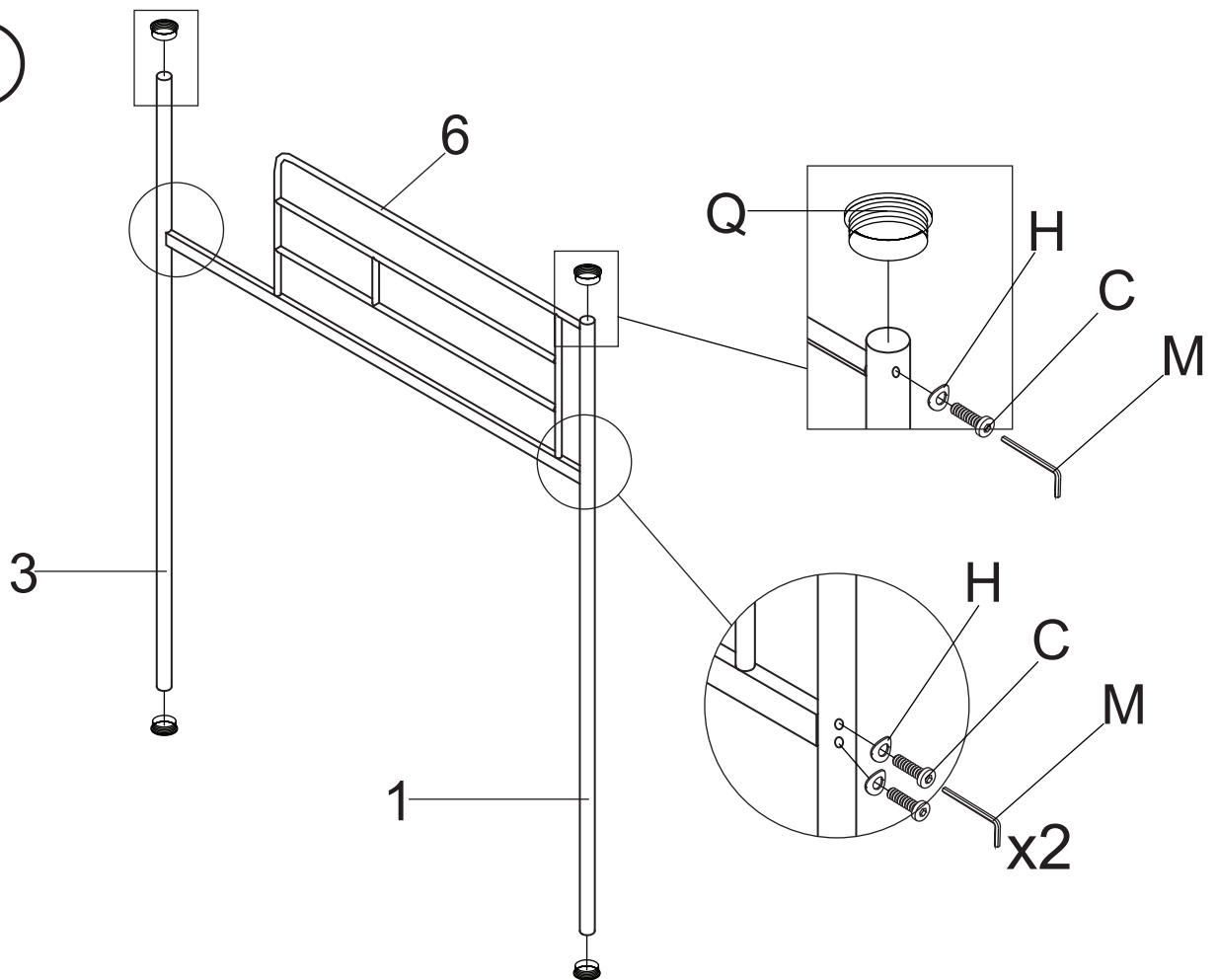
②



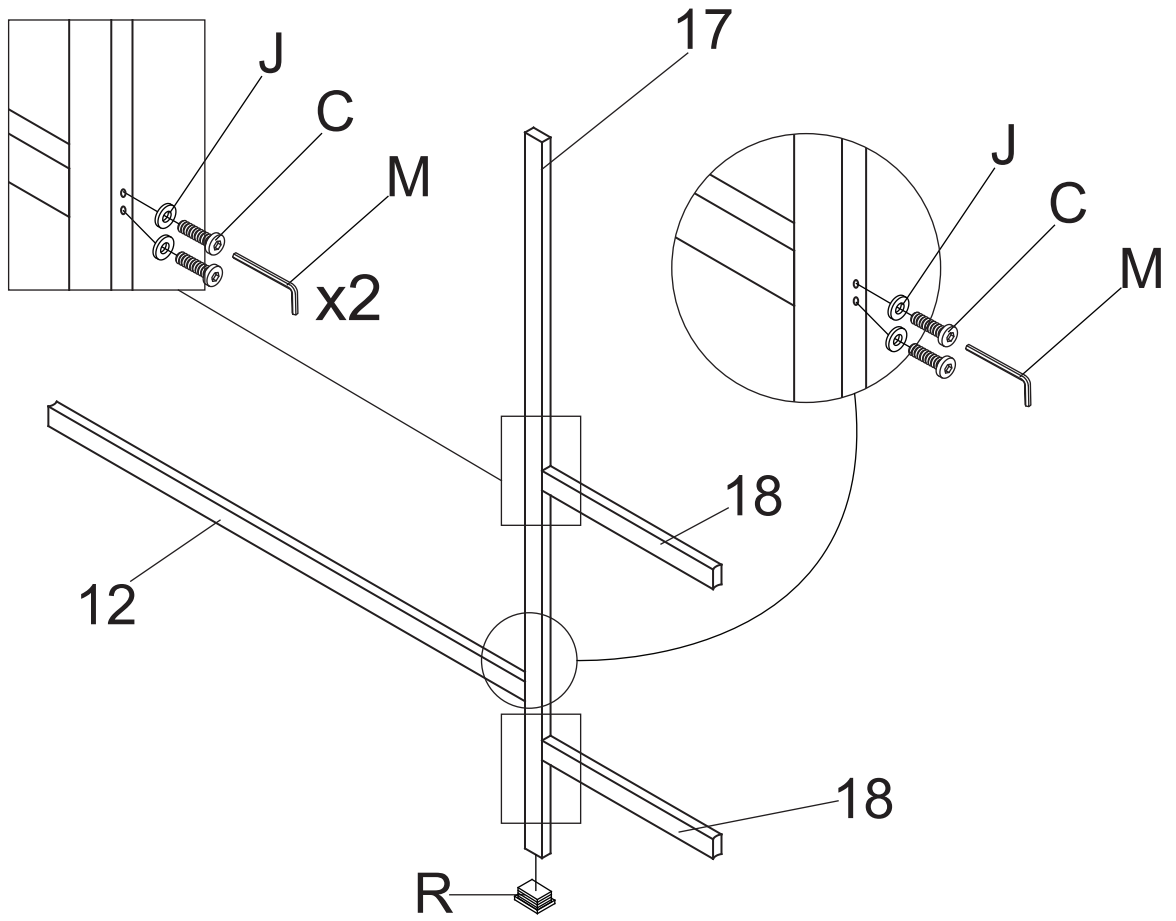
3



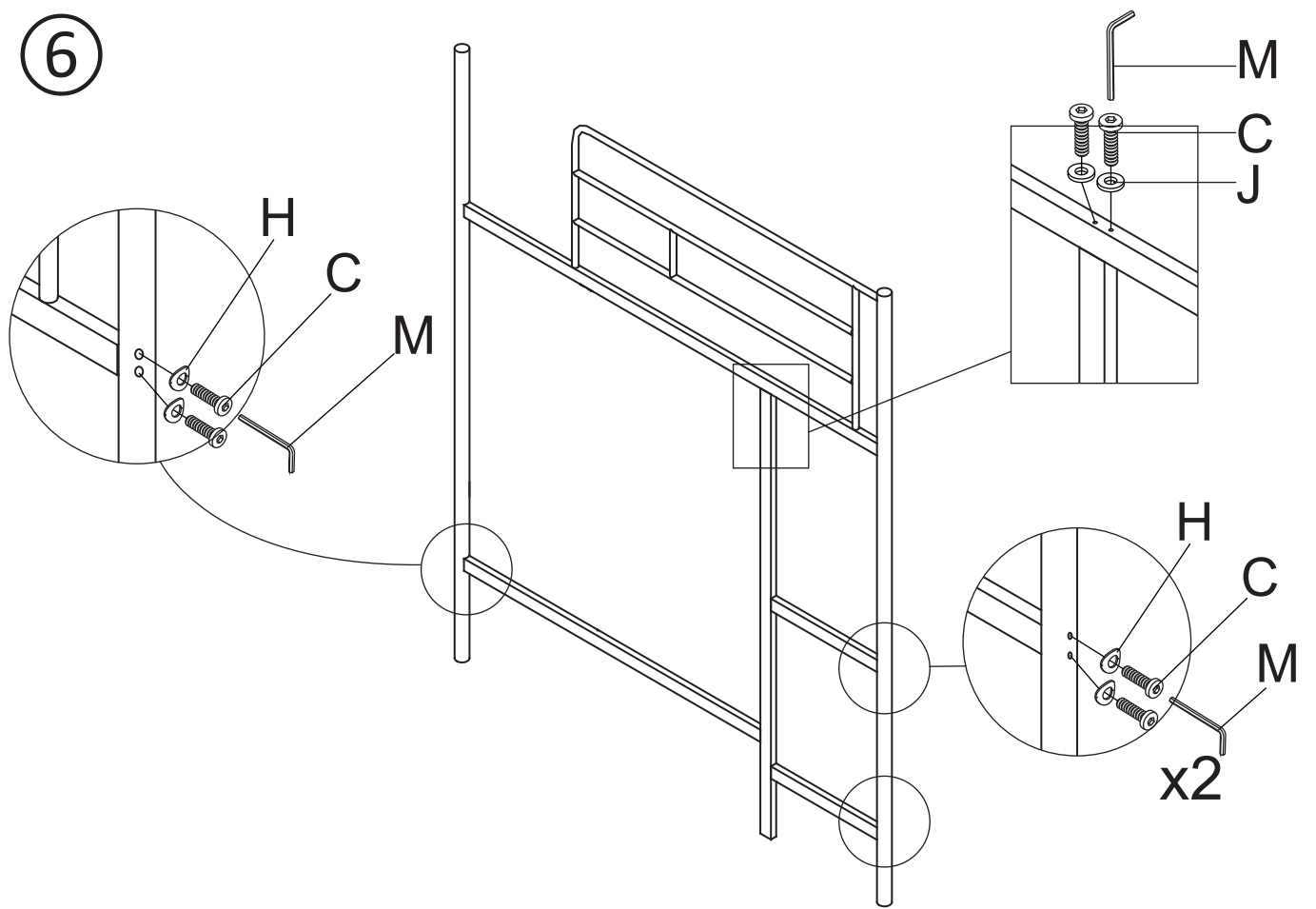
4



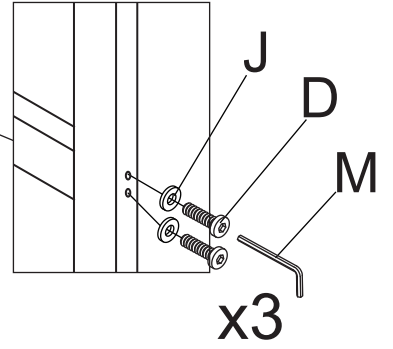
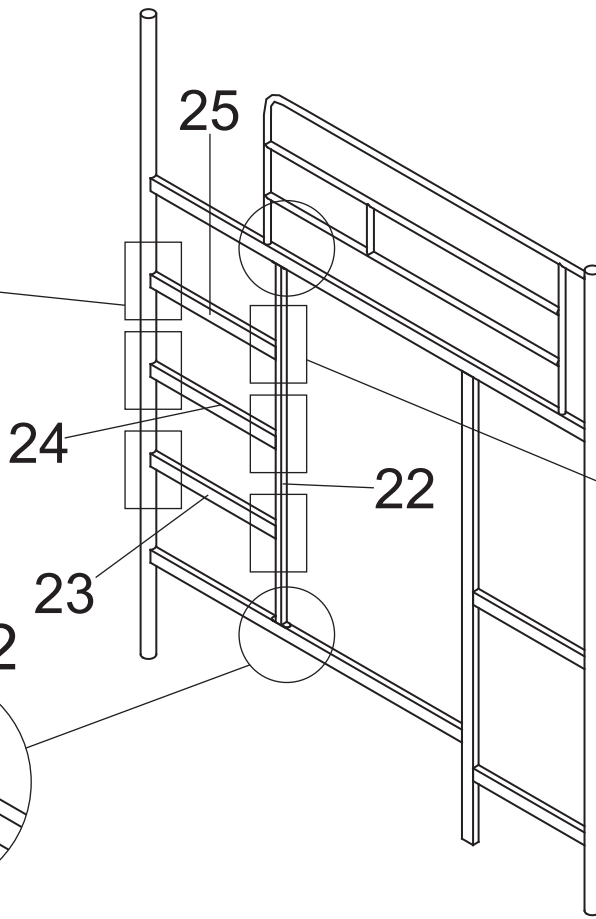
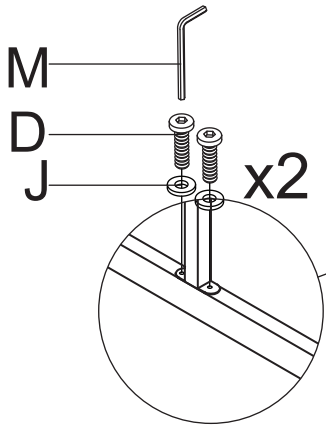
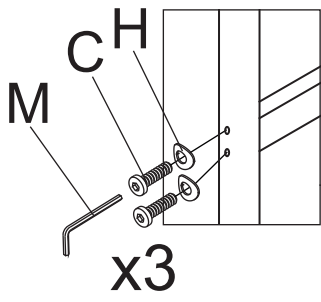
5



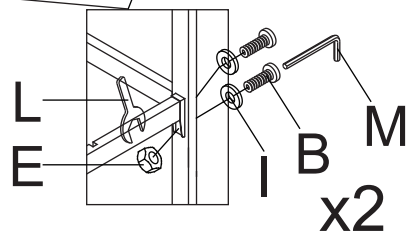
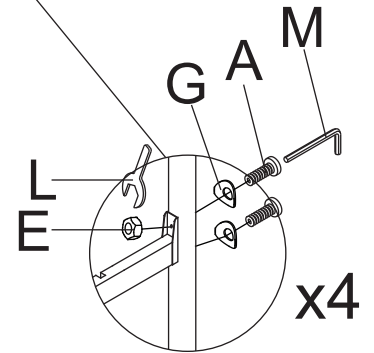
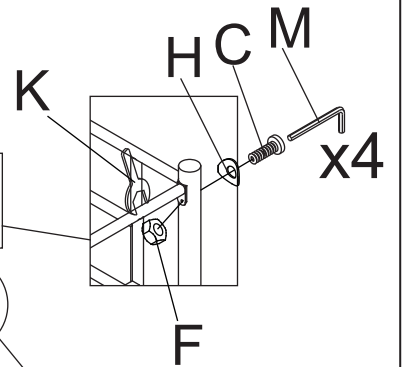
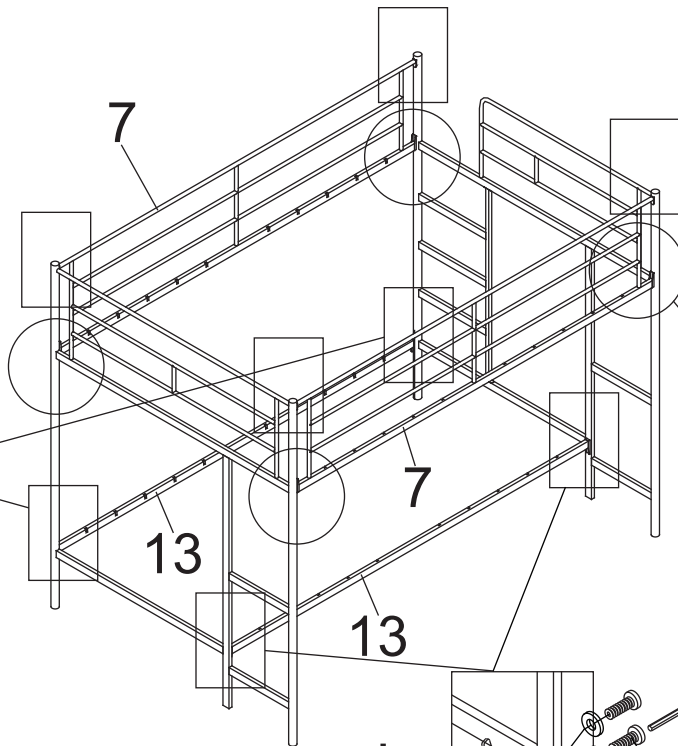
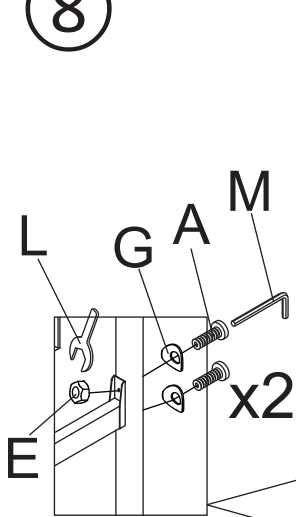
6

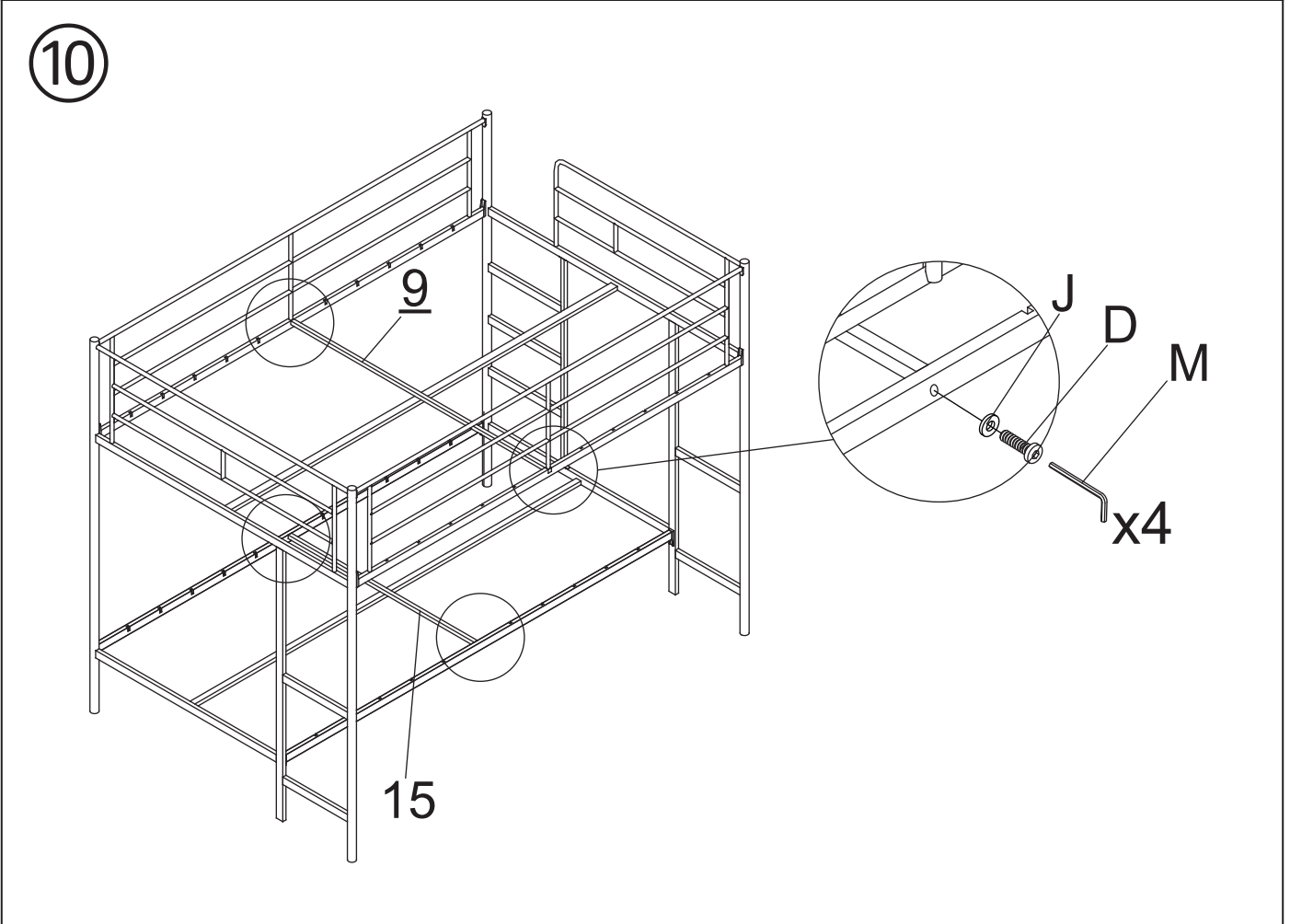
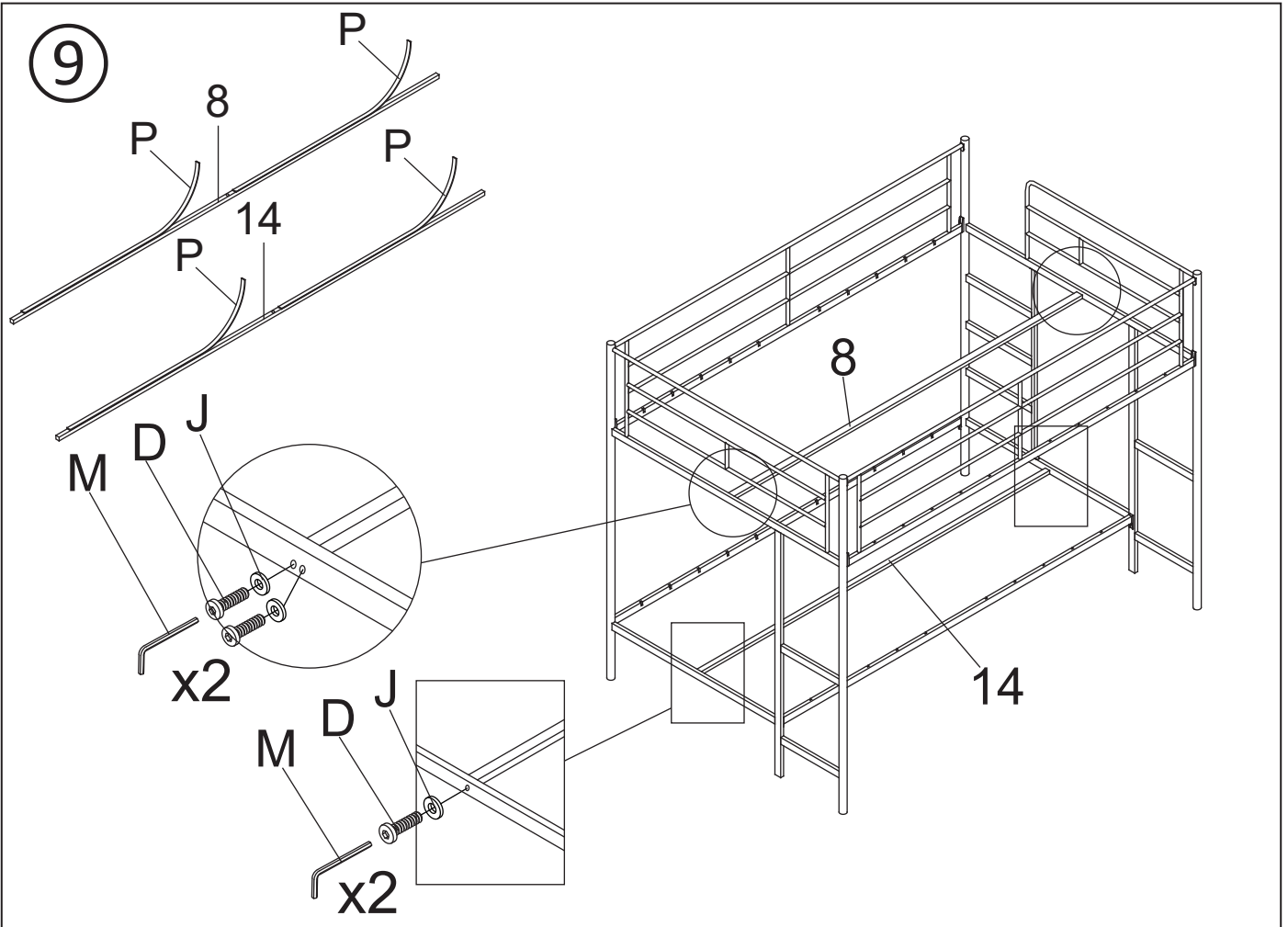


7

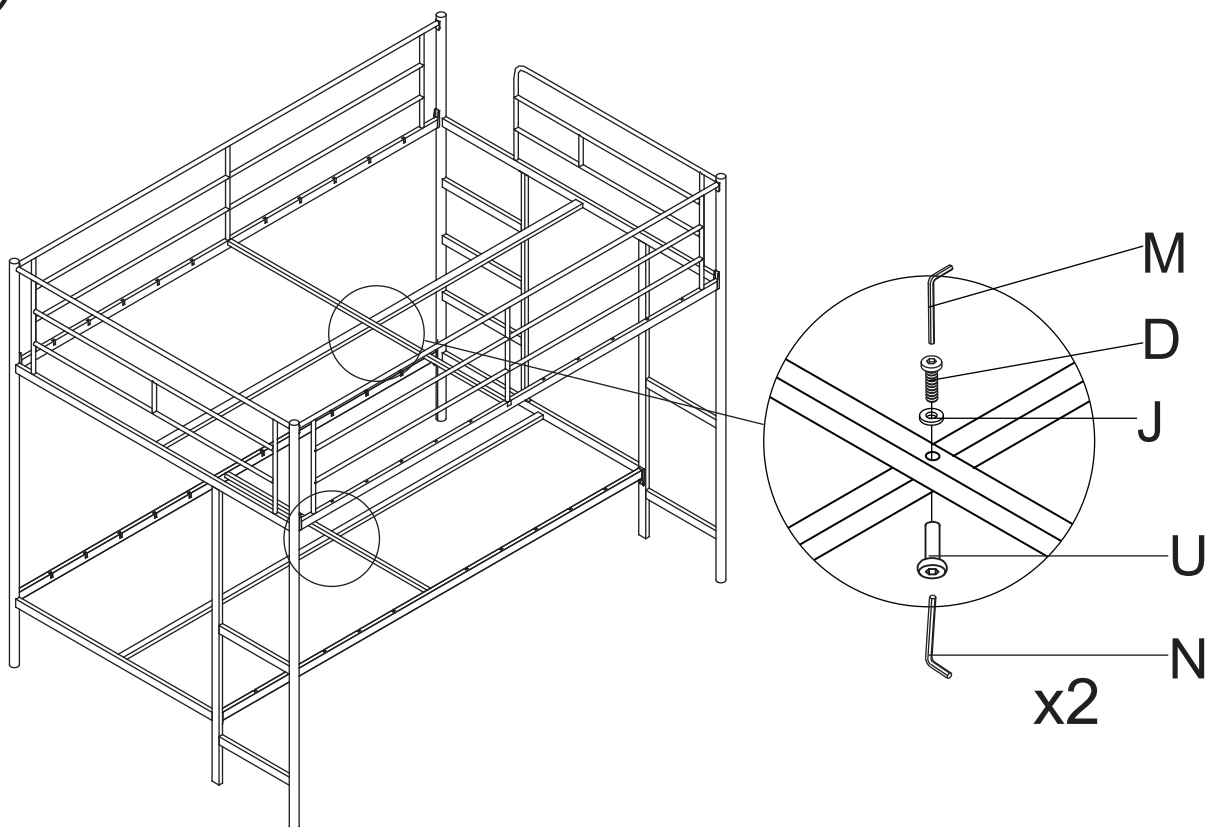


8

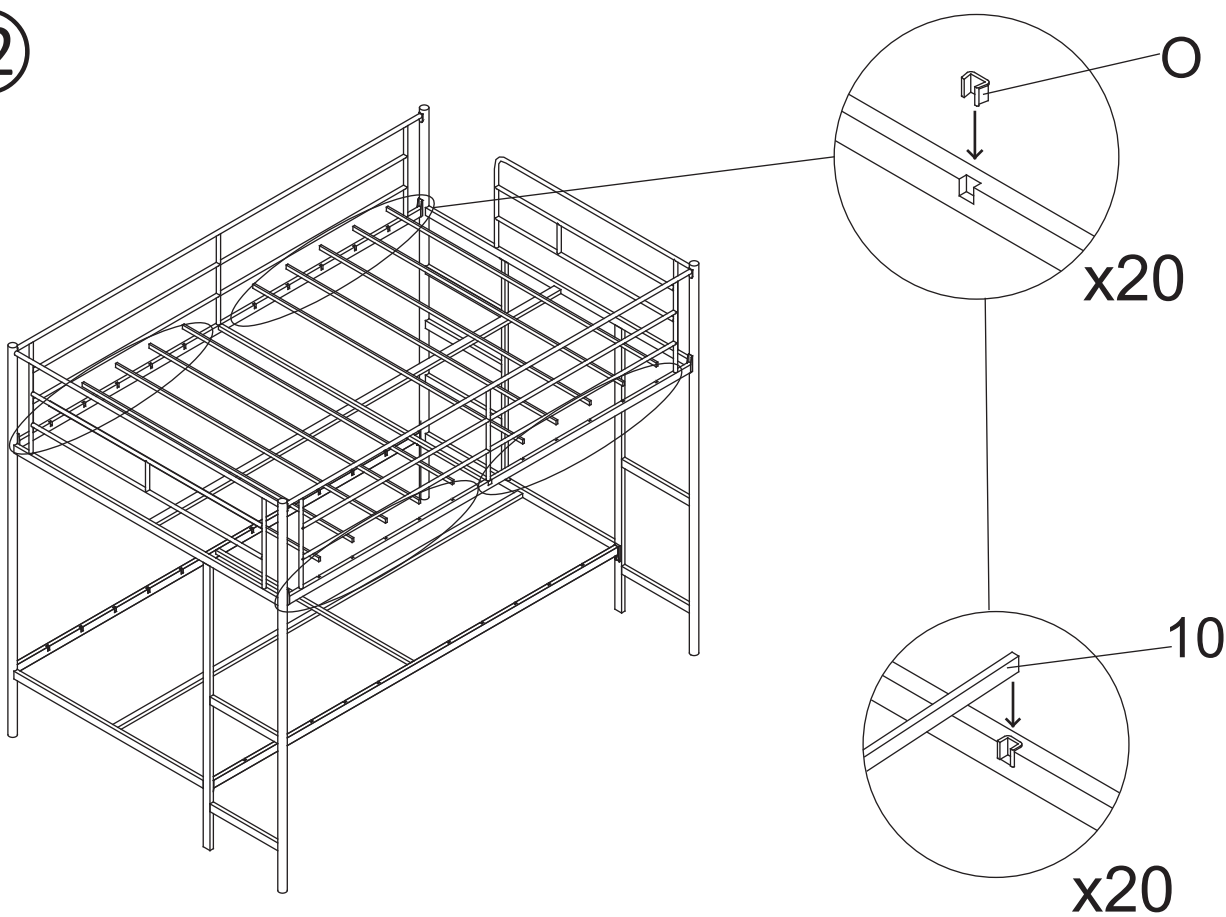




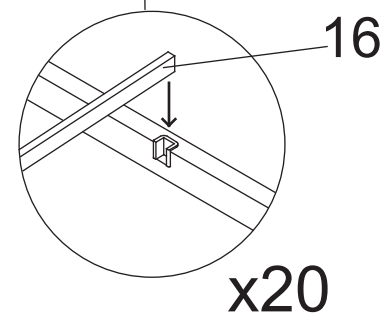
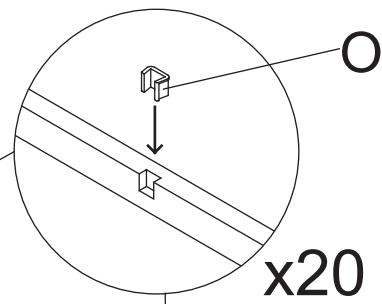
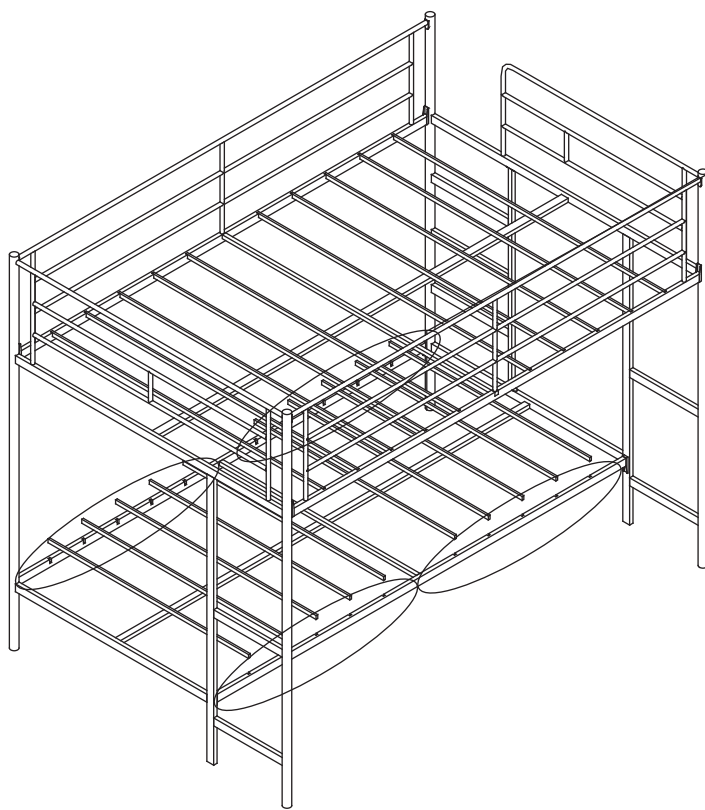
11



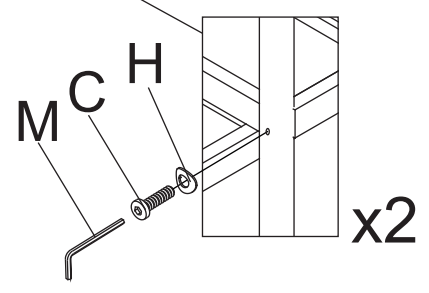
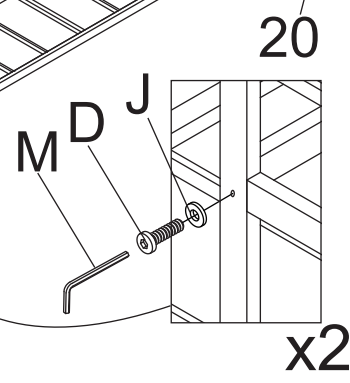
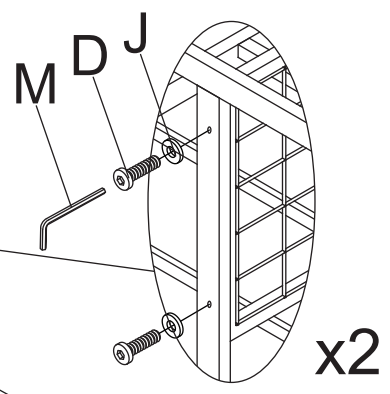
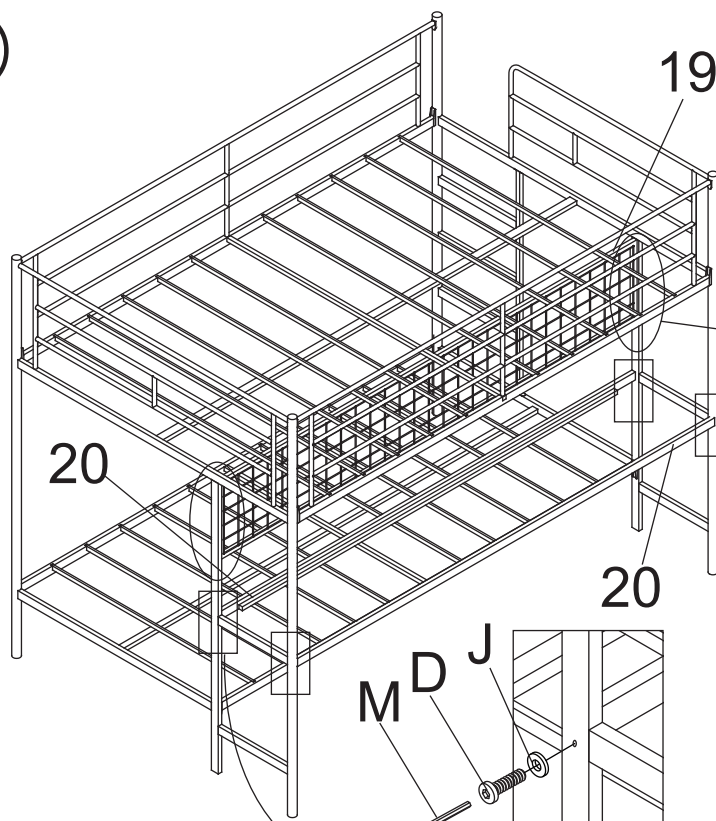
12



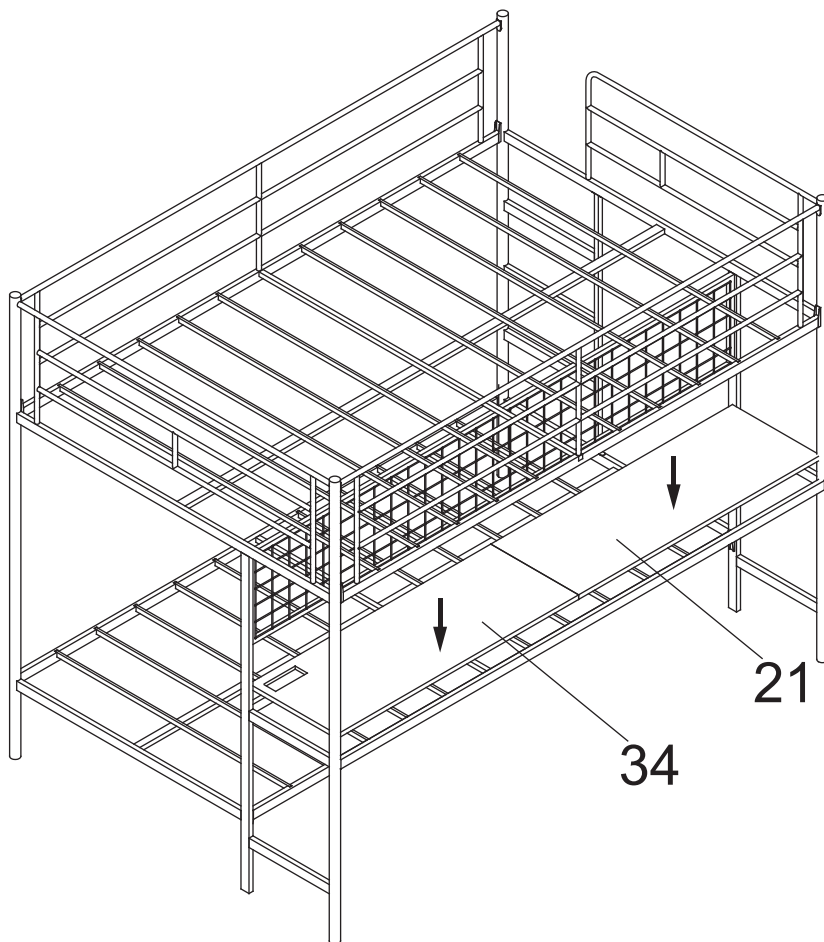
13



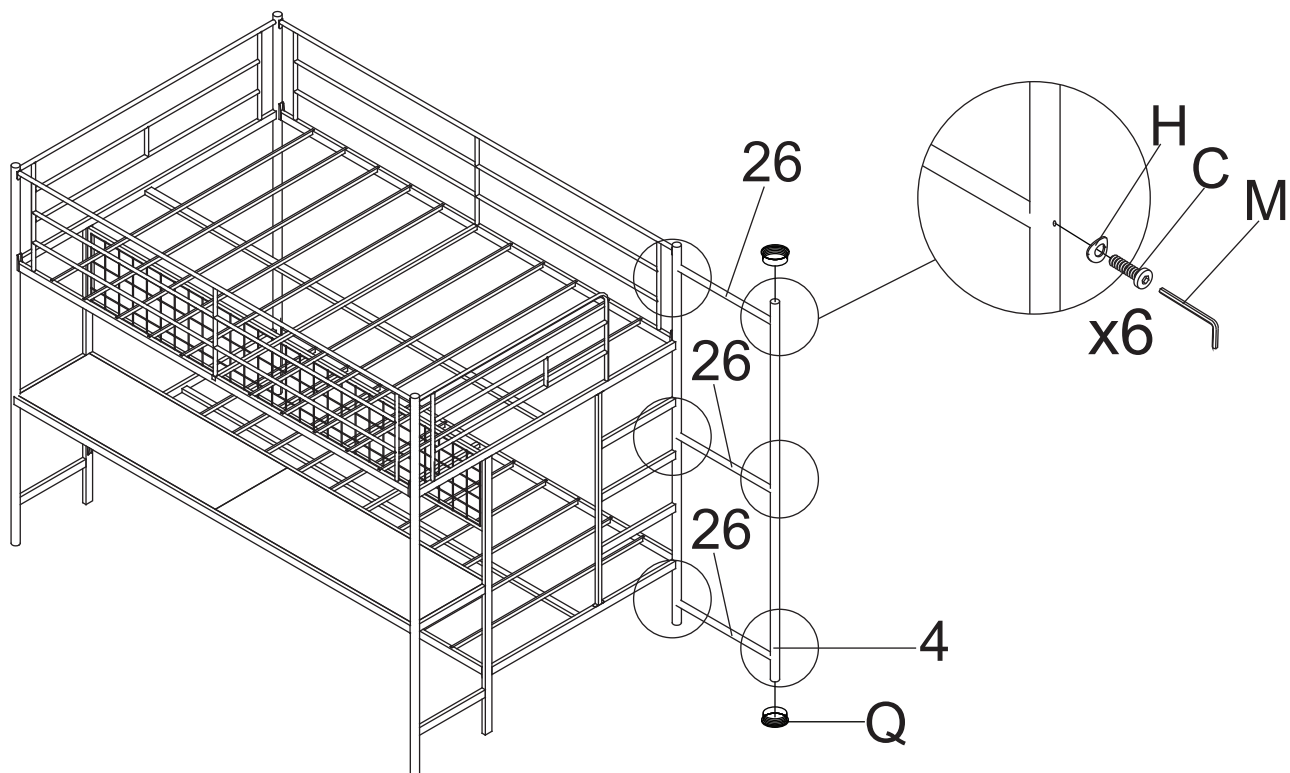
14



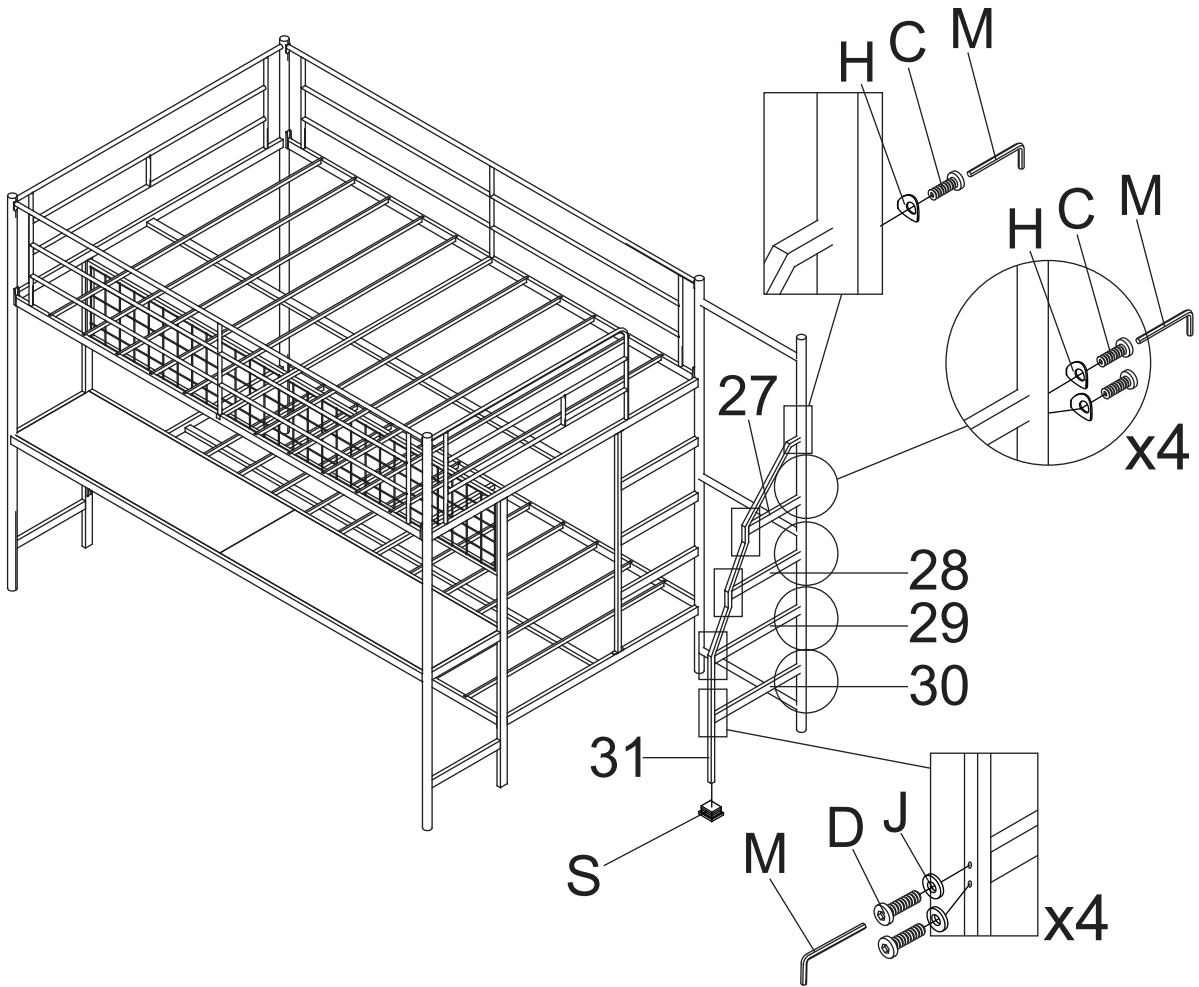
15



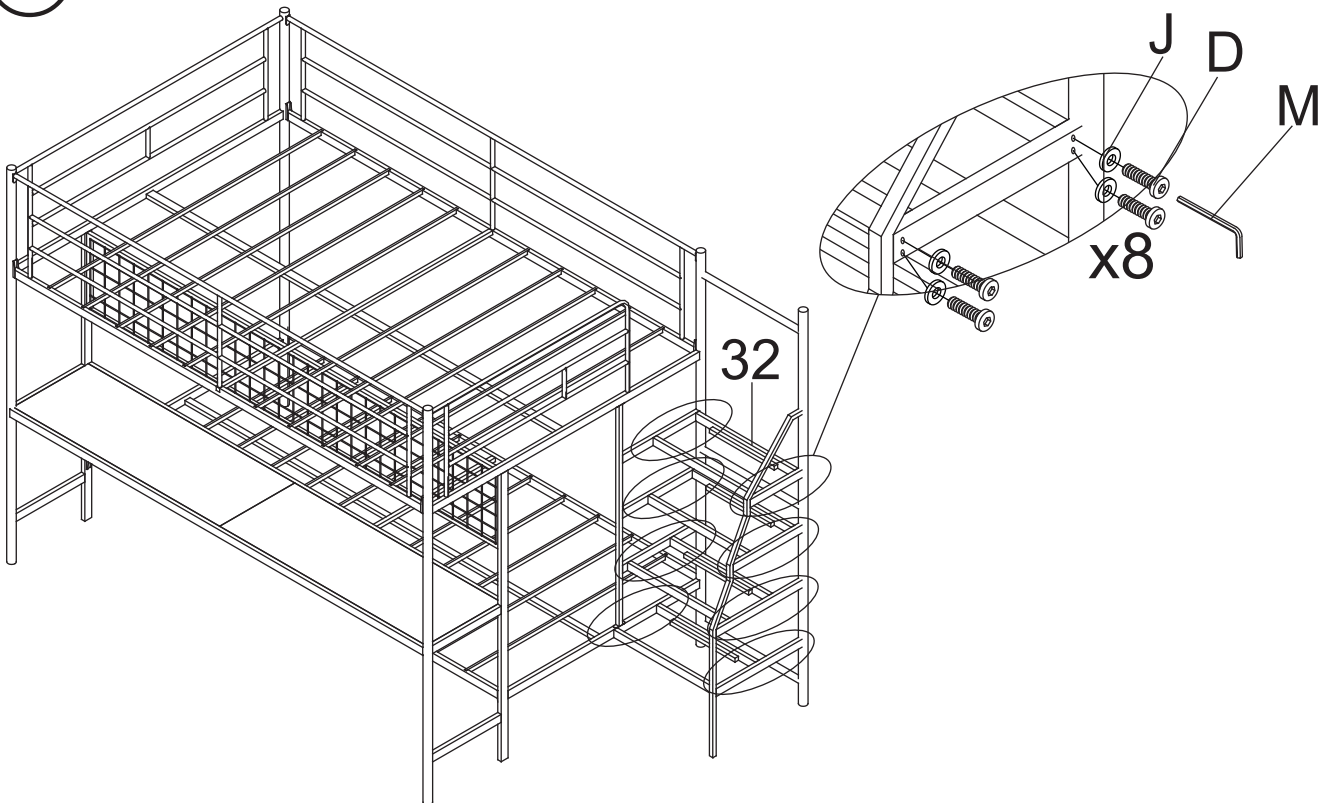
16



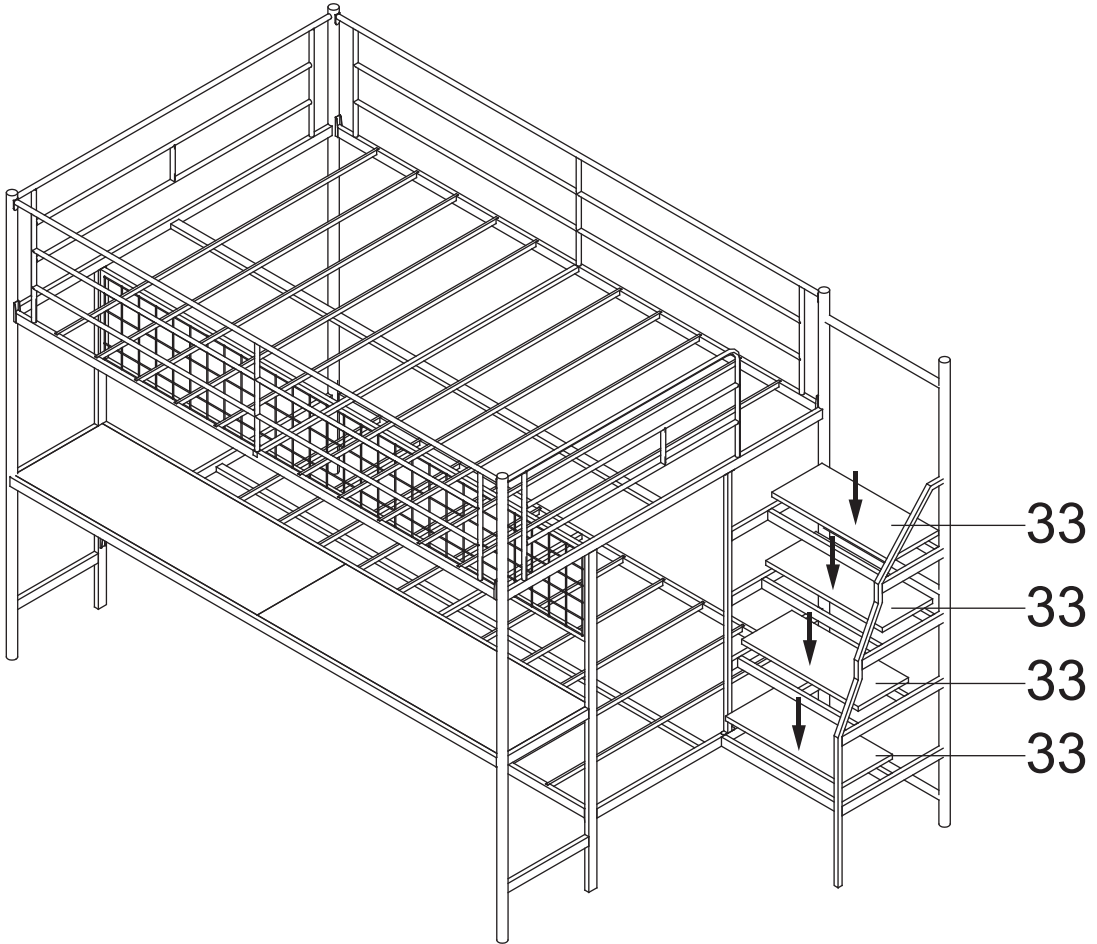
17



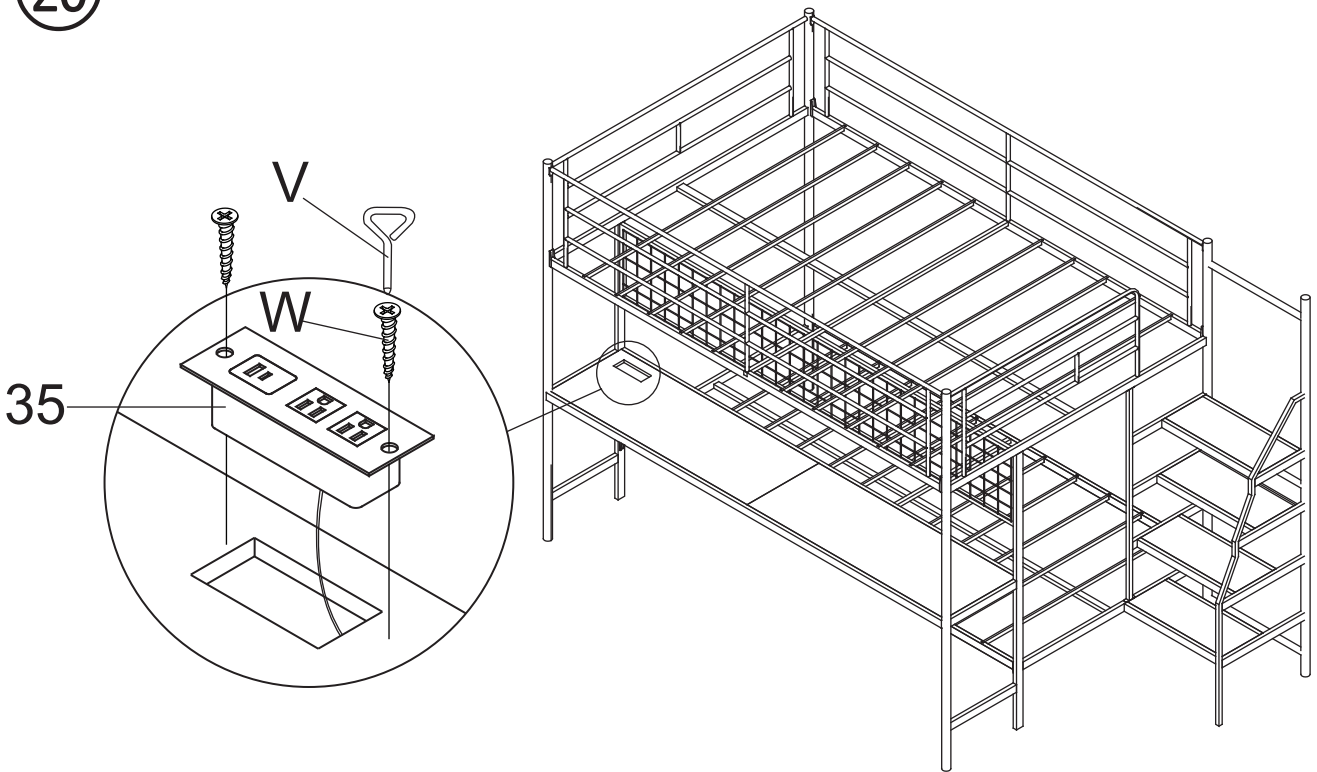
18



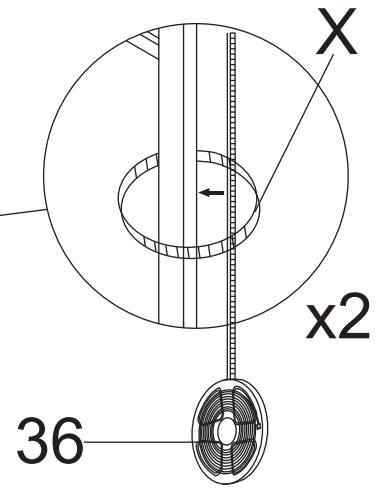
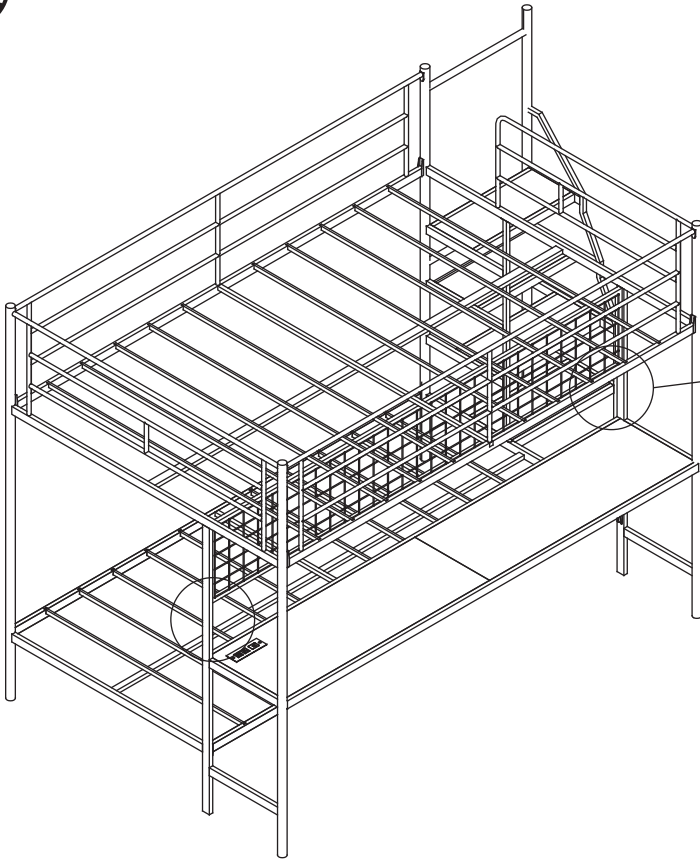
19



20



21



22

