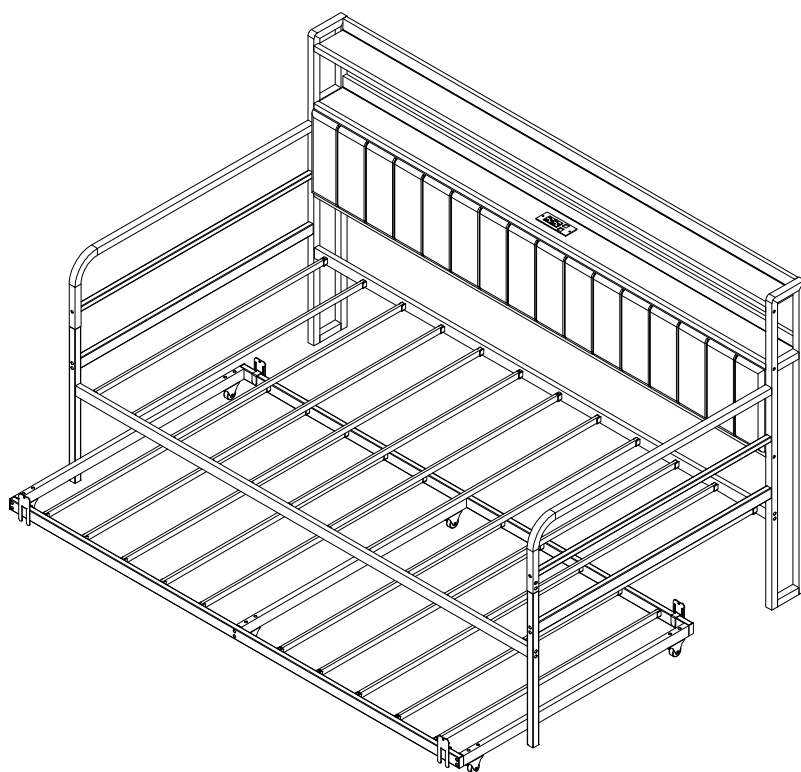
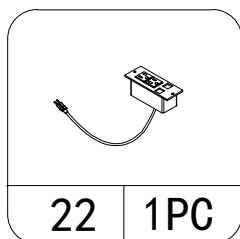
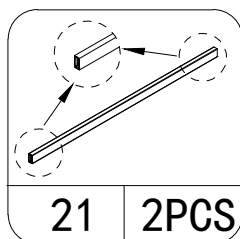
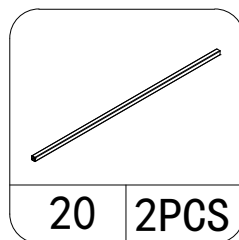
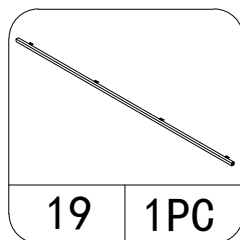
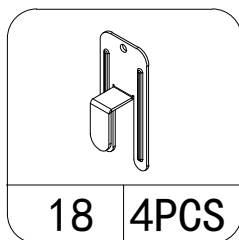
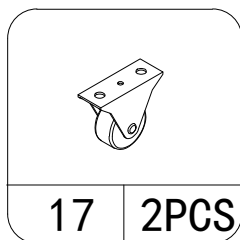
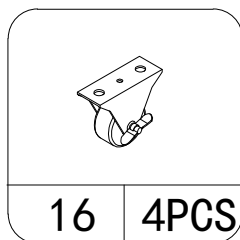
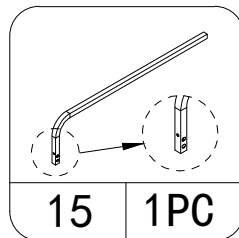
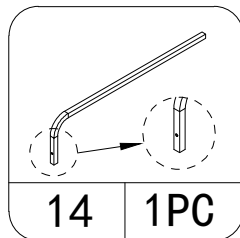
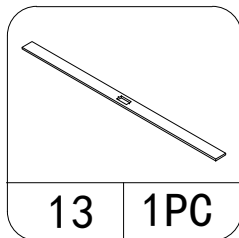
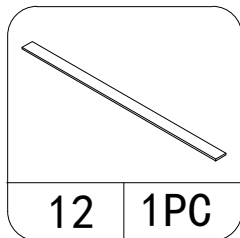
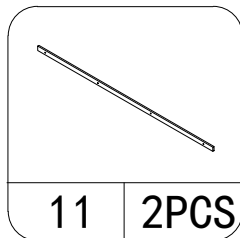
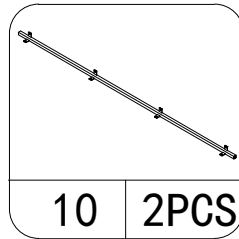
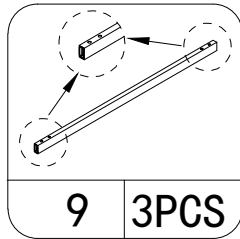
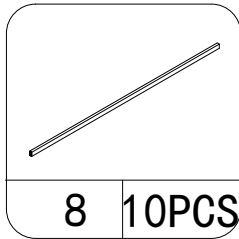
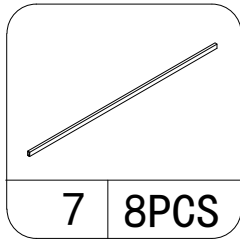
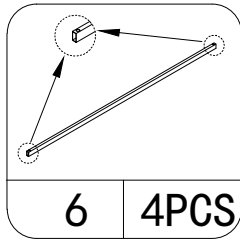
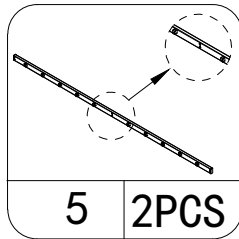
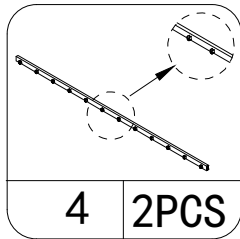
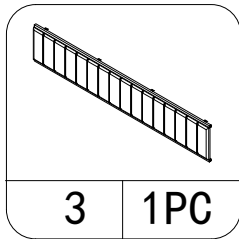
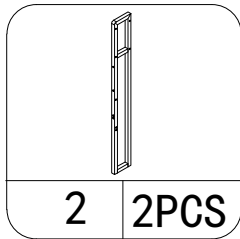
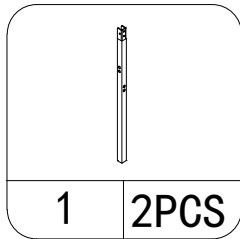


Please don't tighten the screws completely and go back later for a final tightening of all the screws after pieces are aligned with each other



Parts

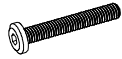


Hardware List



M8*45

A 28PCS



M6*48

B 12PCS



M6*45

C 16PCS



M6*15

D 6PCS



M6*10

E 24PCS



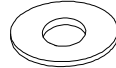
M5*25

F 8PCS



Ø3*12

G 2PCS



Ø6

H 28PCS

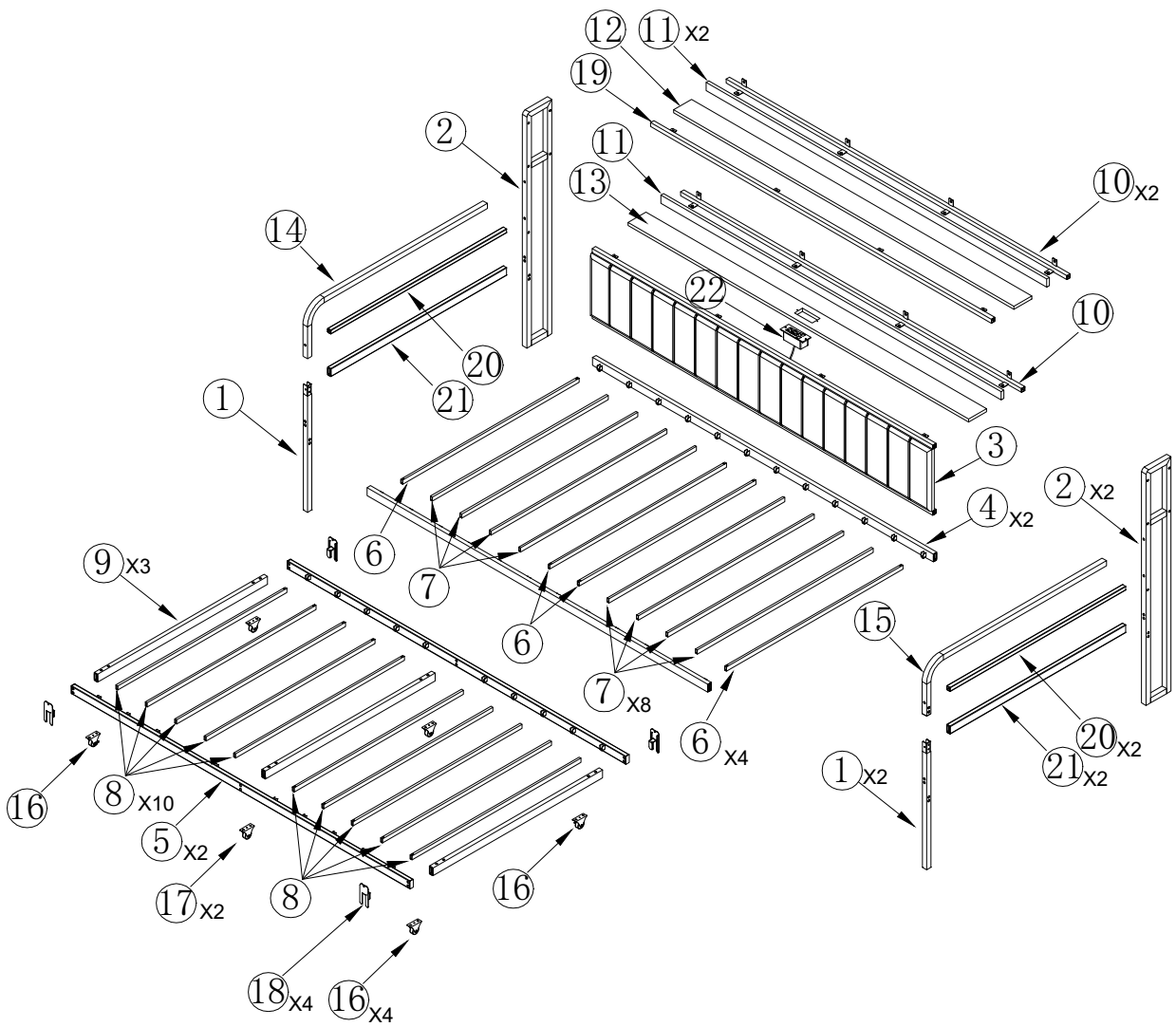
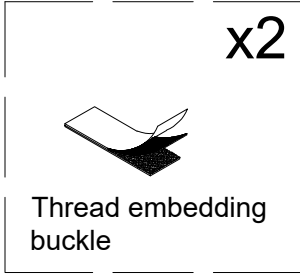
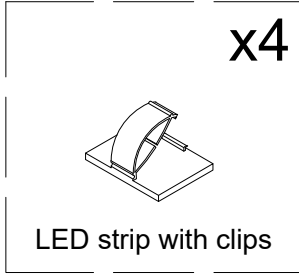
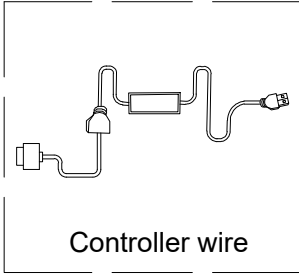
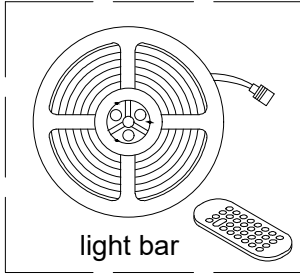


J 1PC





S4


K 1PC

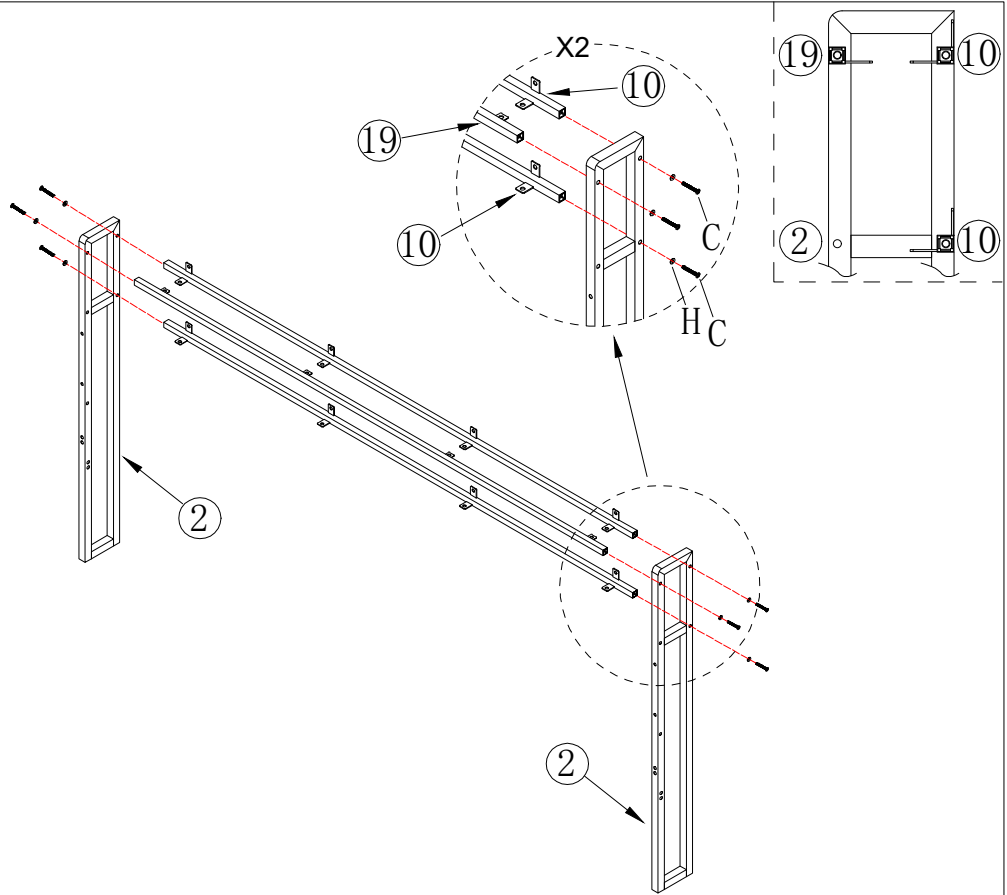


Step1

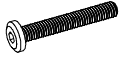
	
M6*45	
C	6PCS


	
Ø6	
H	6PCS


	
S4	
K	1PC

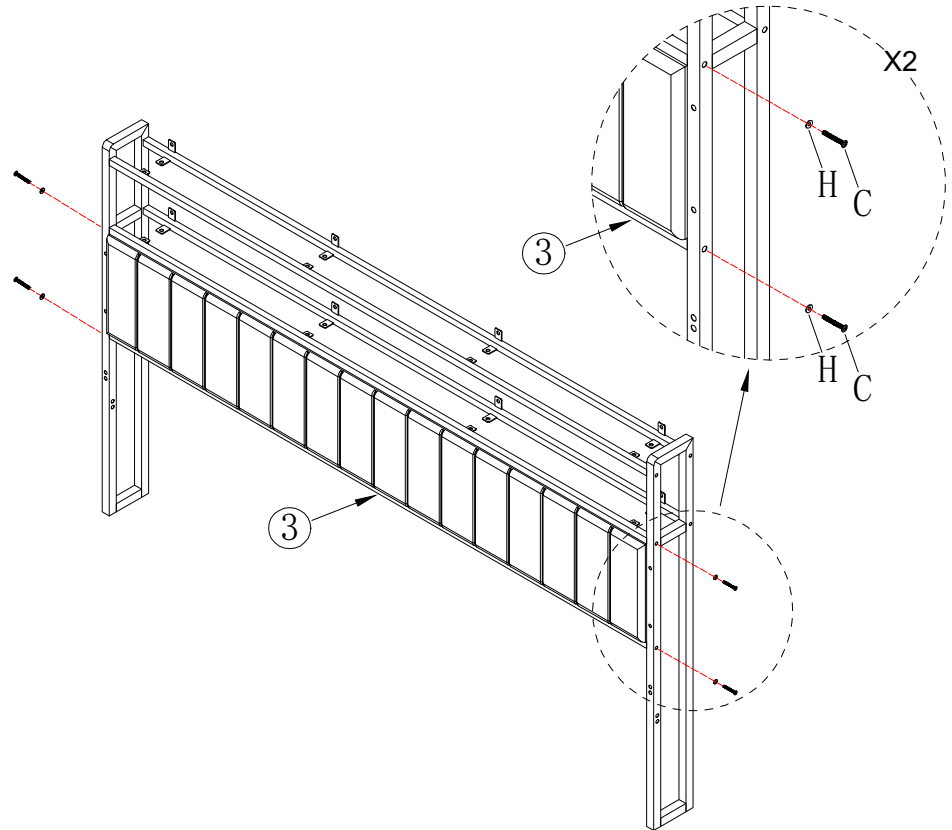


Step2

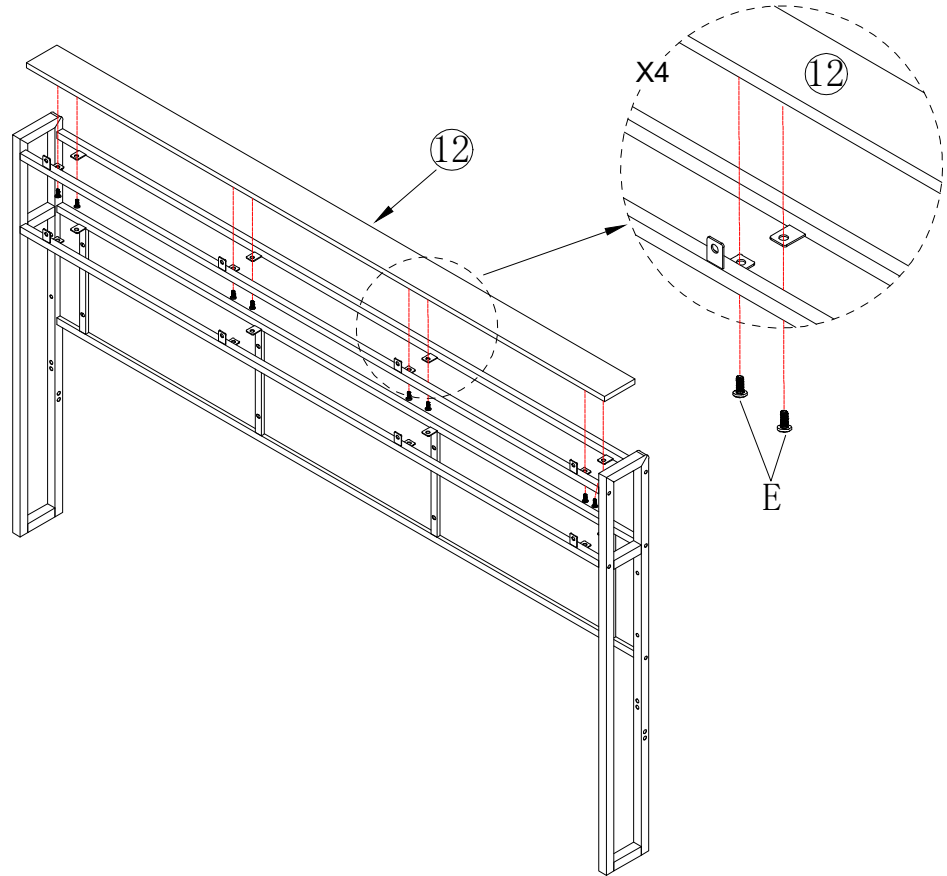
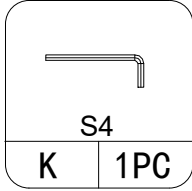
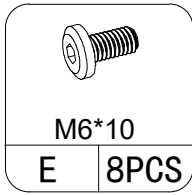
	
M6*45	
C	4PCS

	
Ø6	
H	4PCS

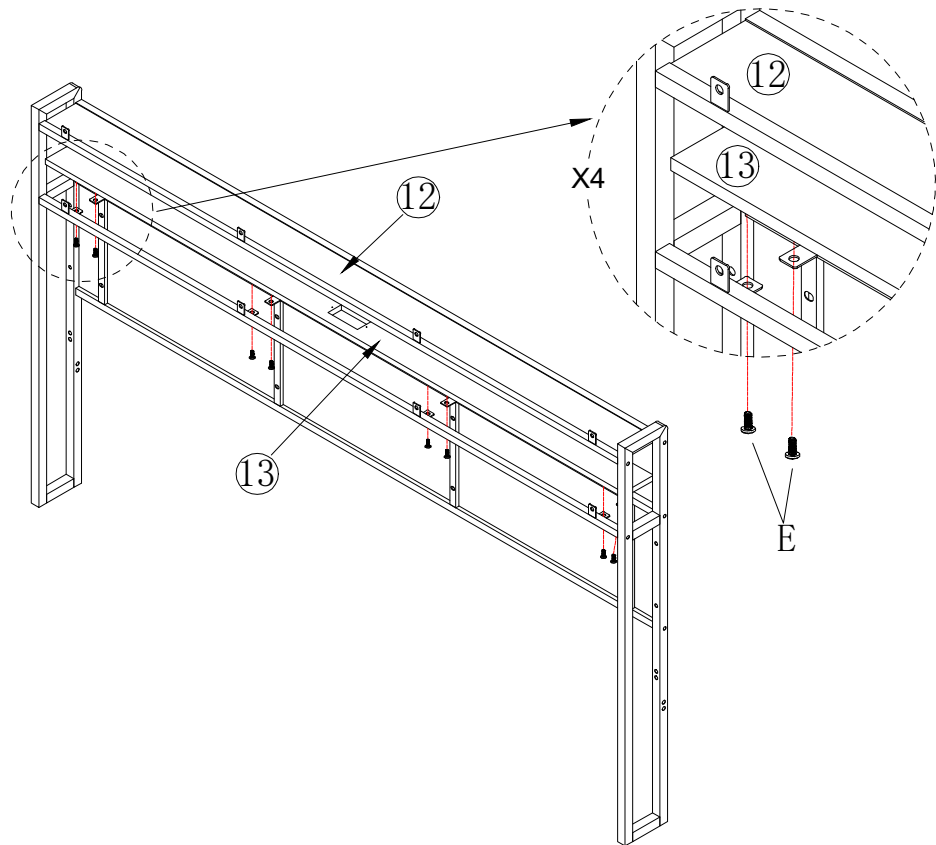
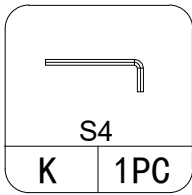
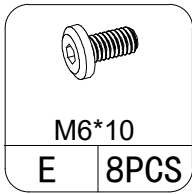
	
S4	
K	1PC



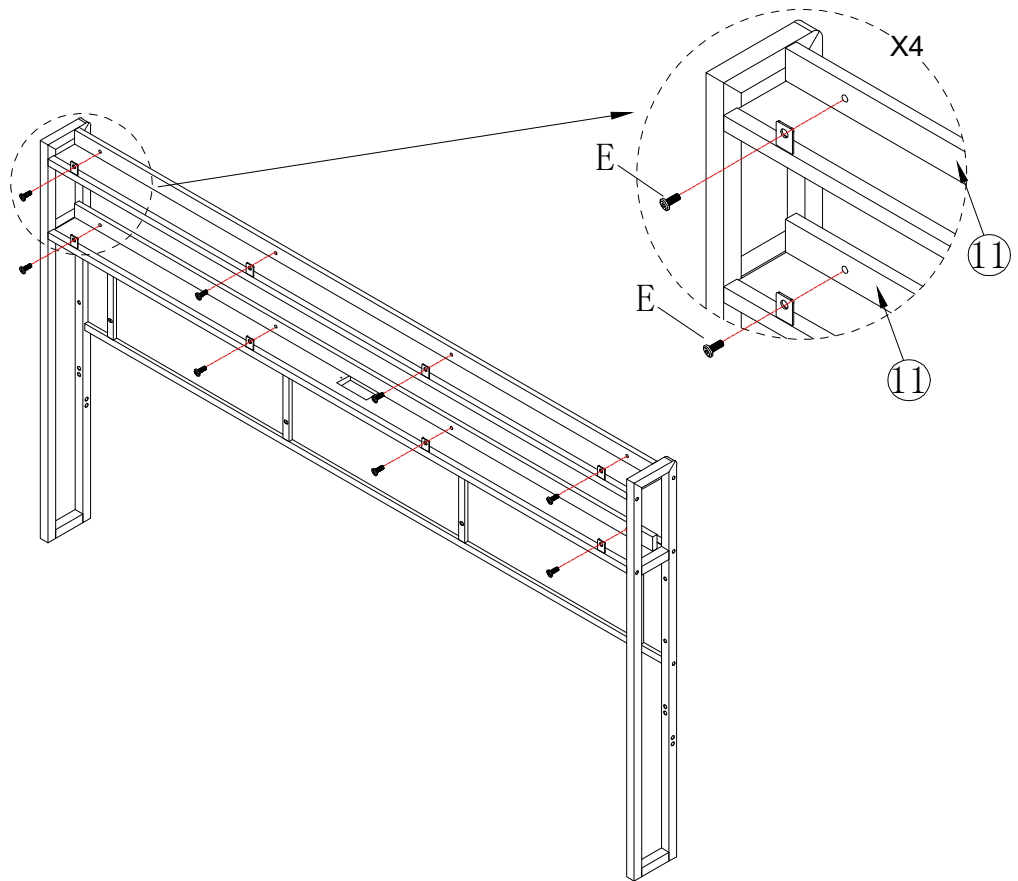
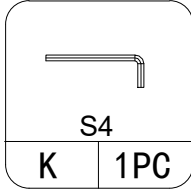
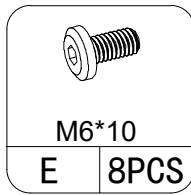
Step3



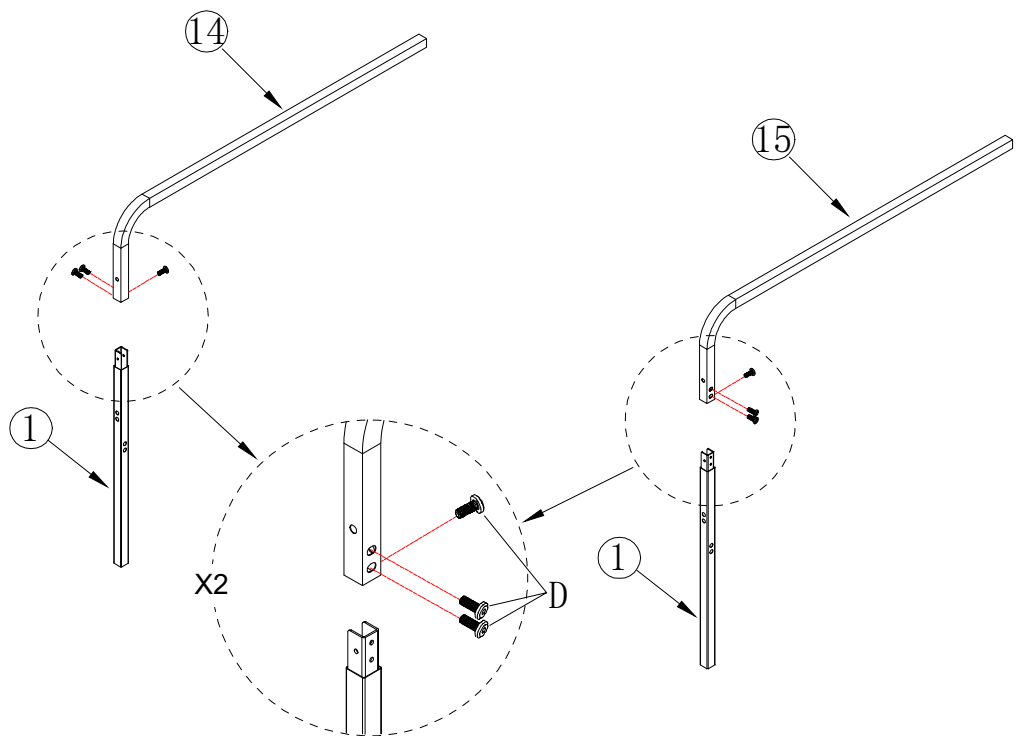
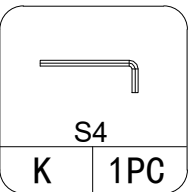
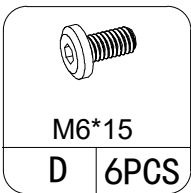
Step4




Step5




Step6




Step7



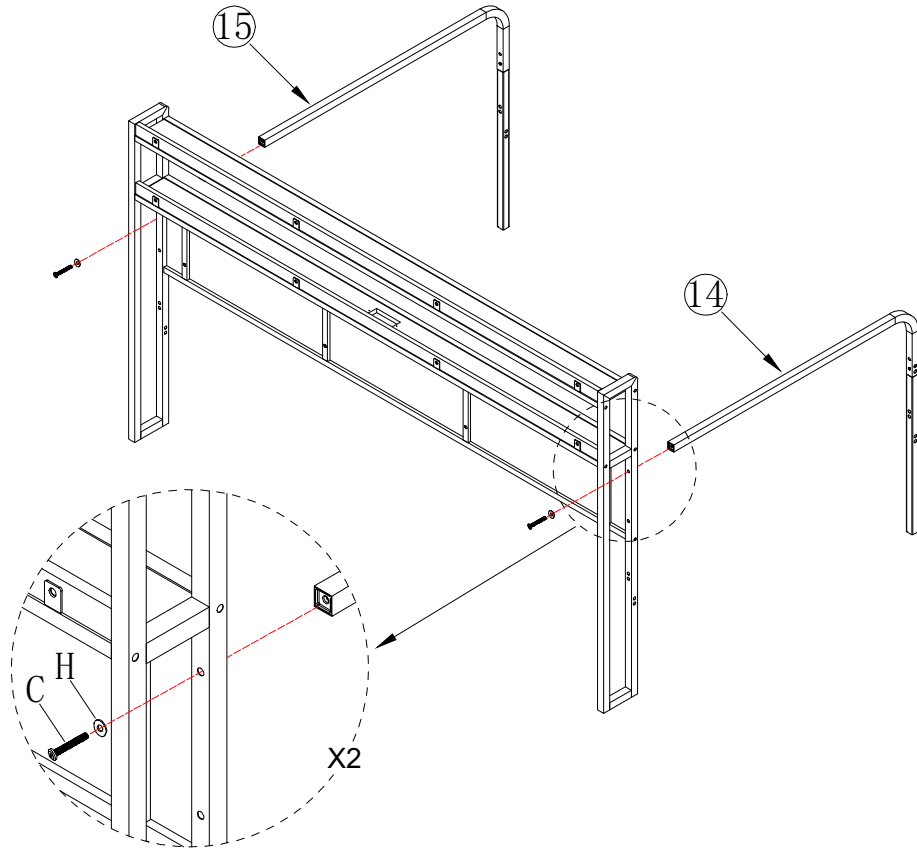
M6*45
C | 2PCS




Ø6
H | 2PCS




S4
K | 1PC




Step8



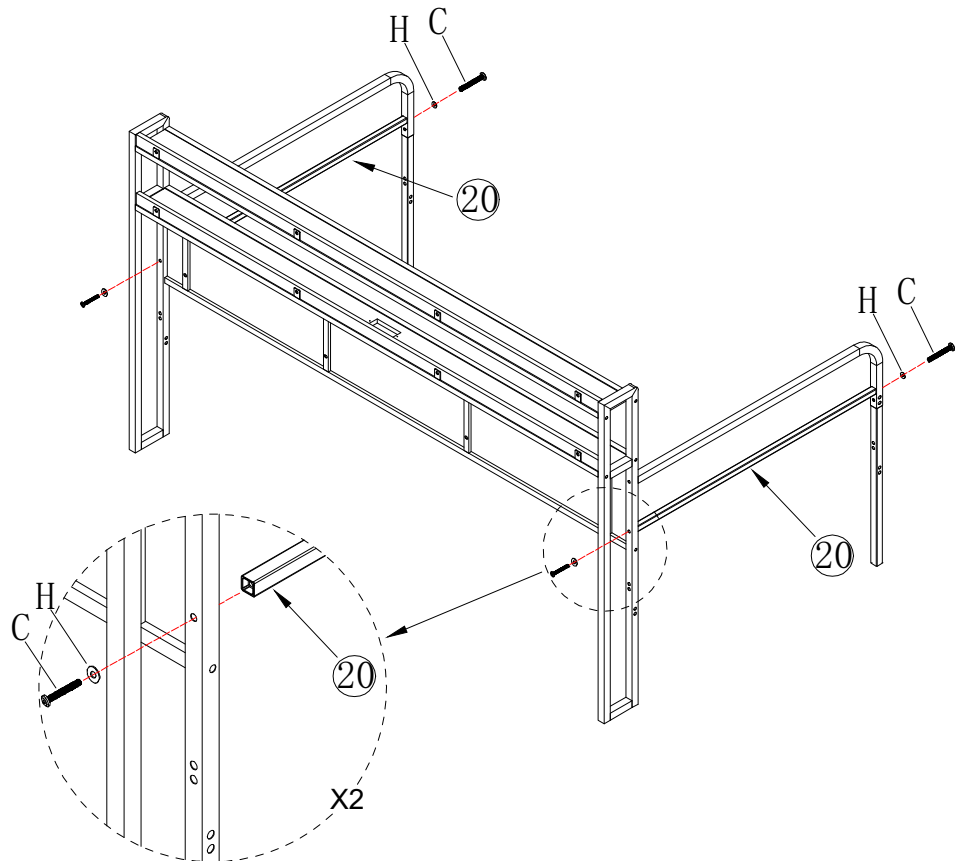
M6*45
C | 4PCS



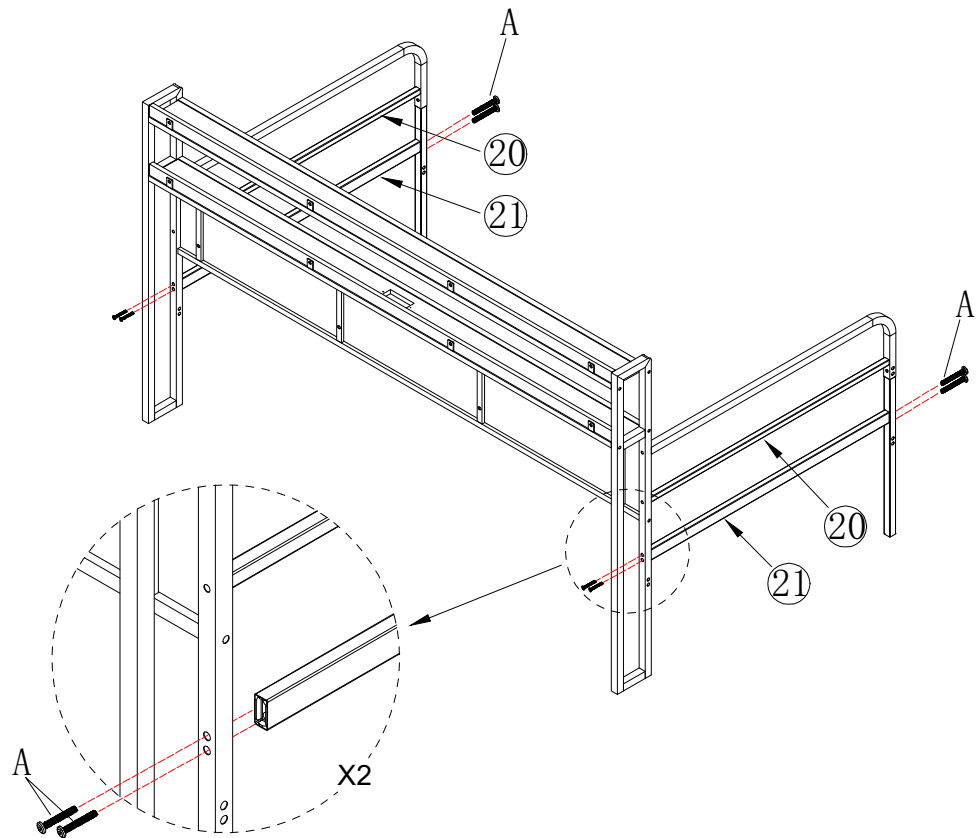
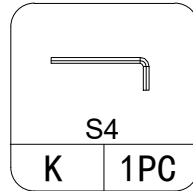
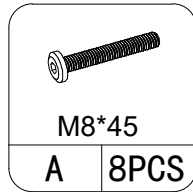
Ø6
H | 4PCS



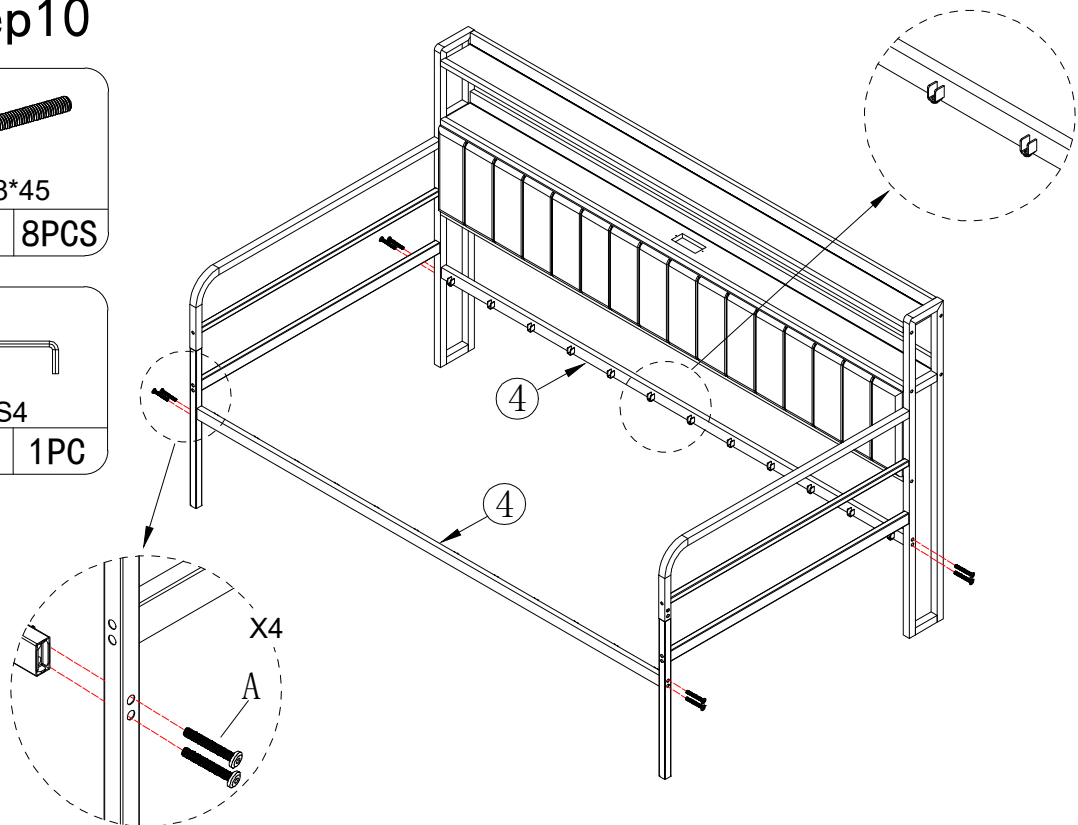
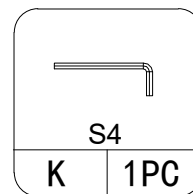
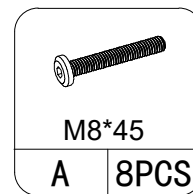
S4
K | 1PC



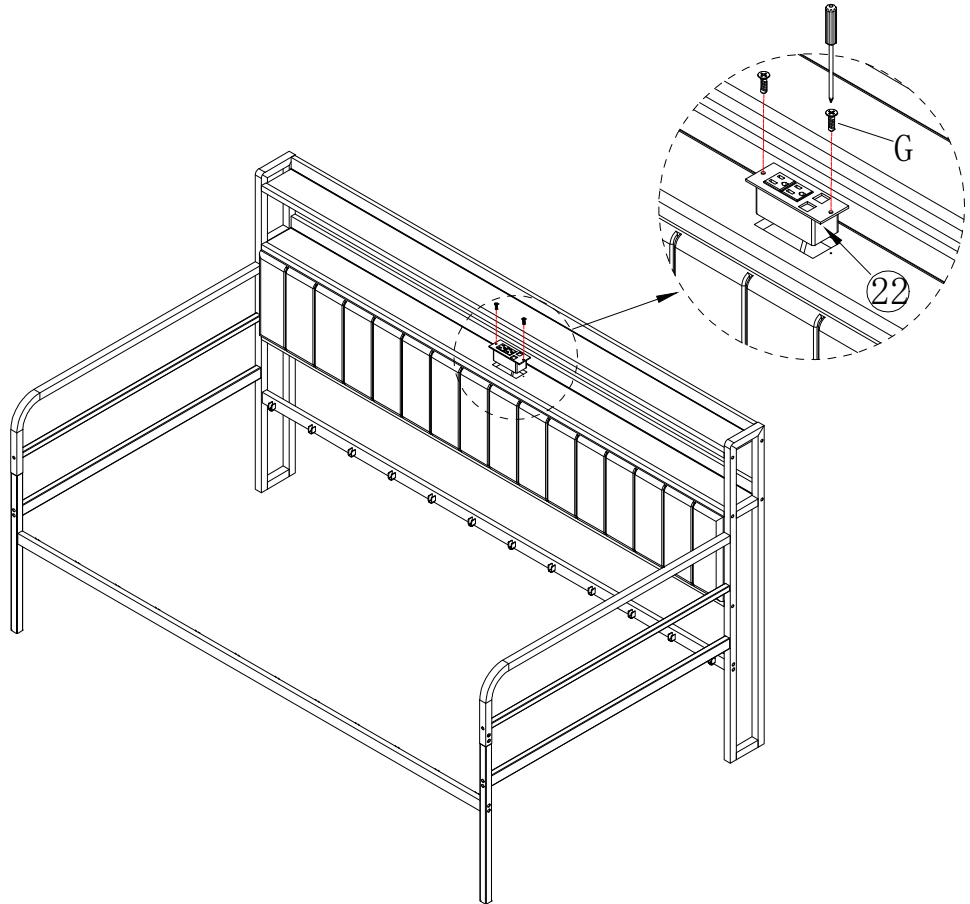
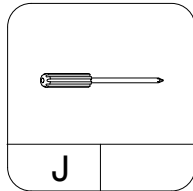
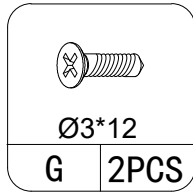
Step9



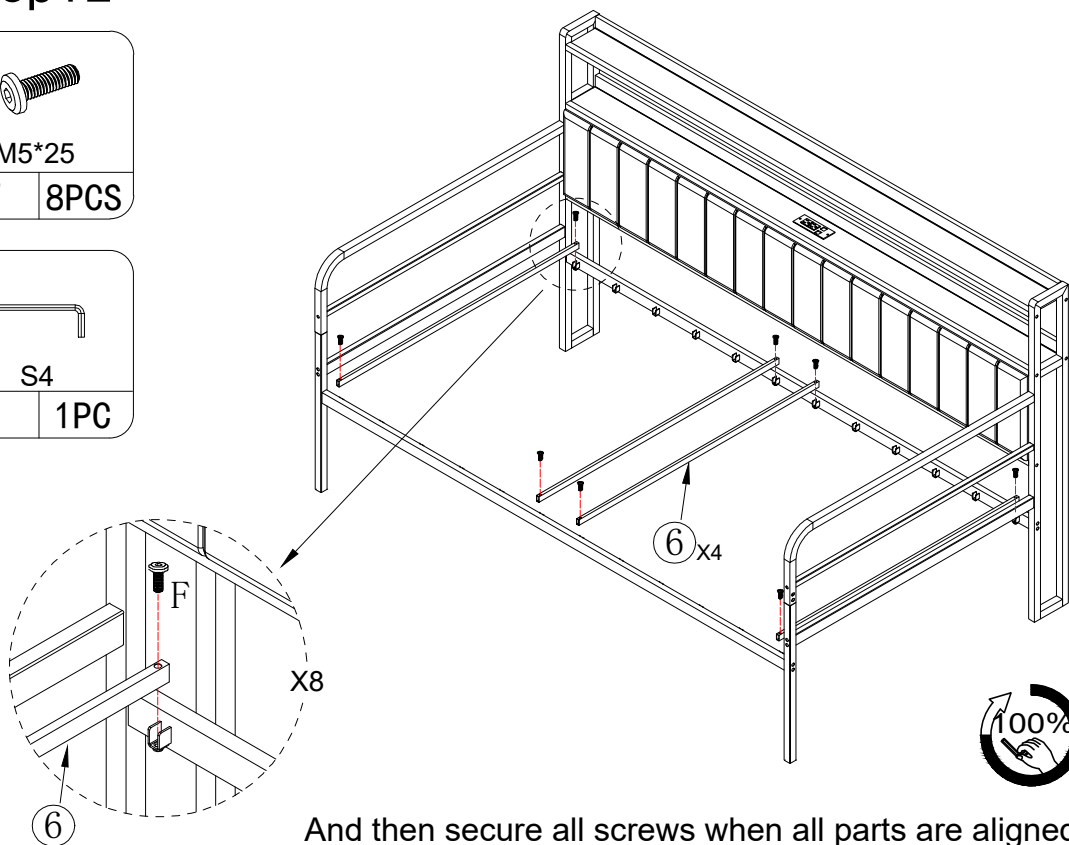
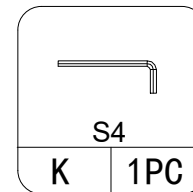
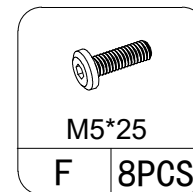
Step10



Step11

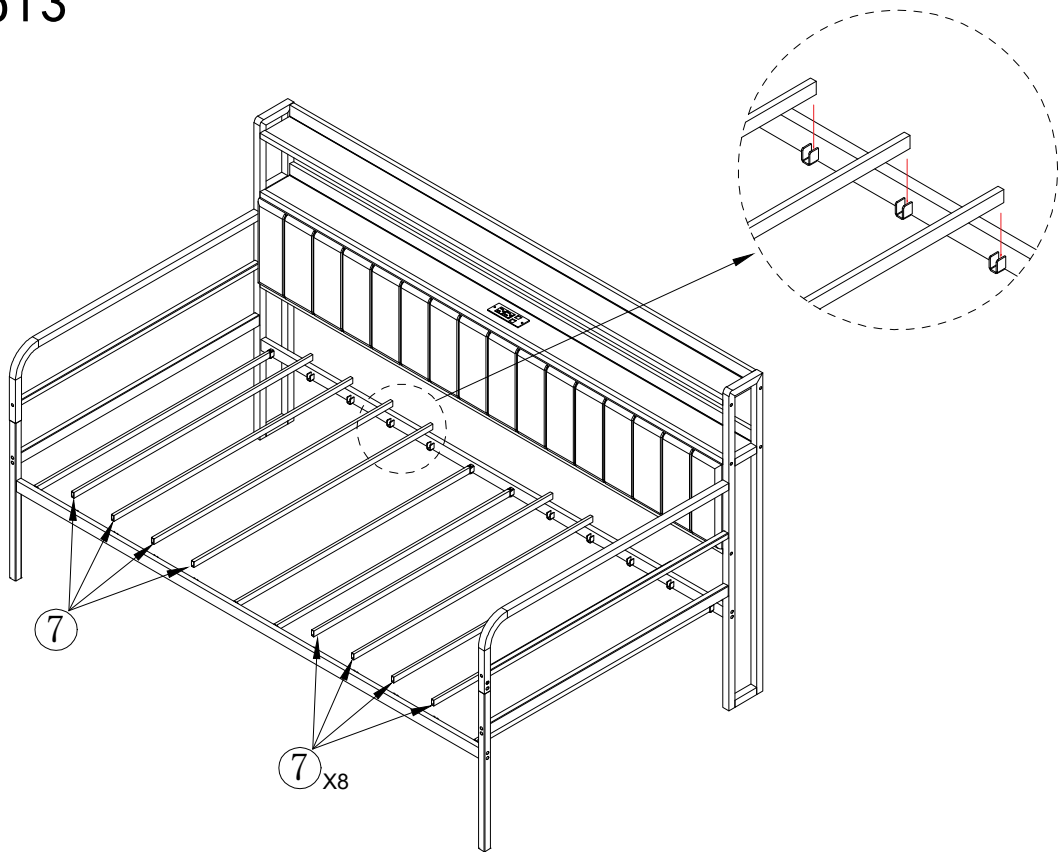


Step12

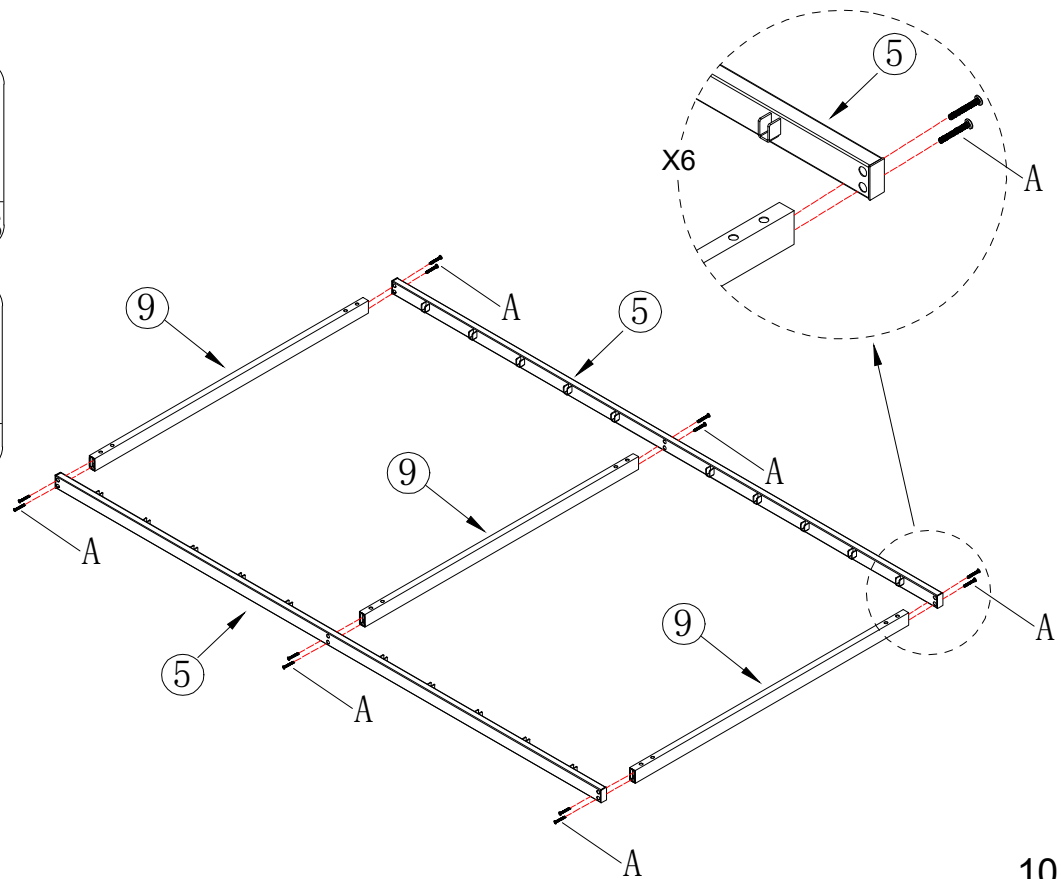
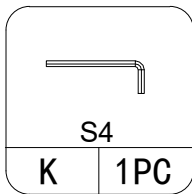
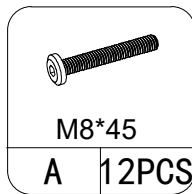


And then secure all screws when all parts are aligned.

Step13

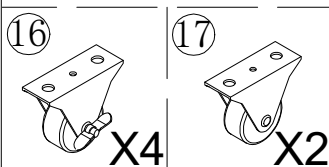
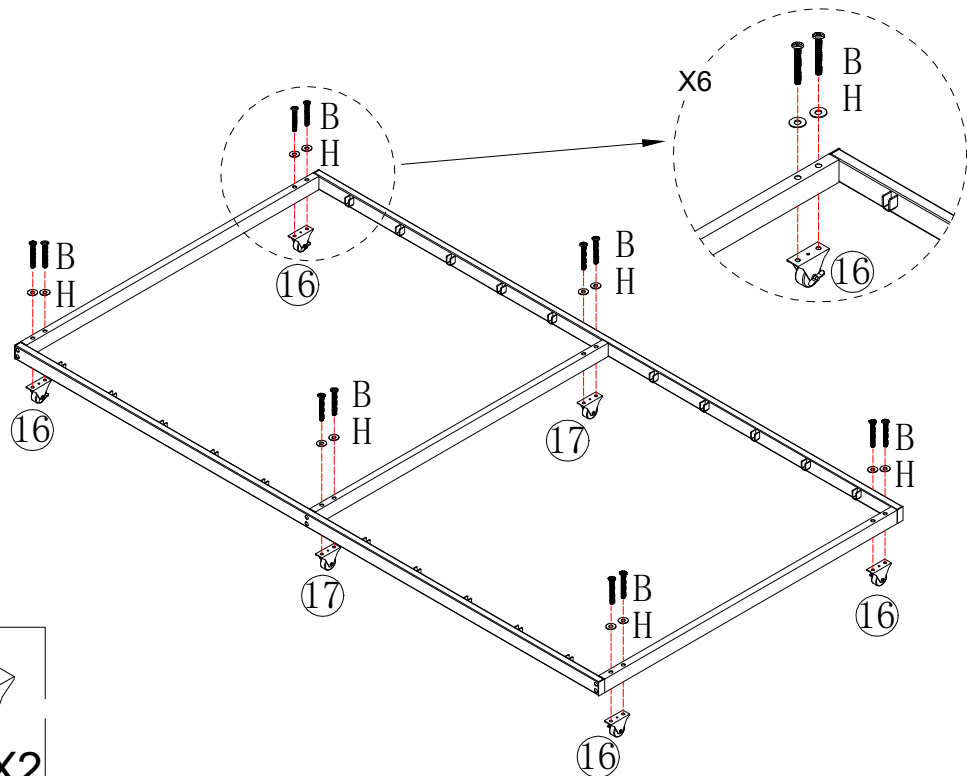
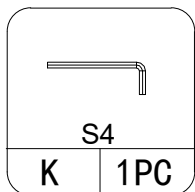
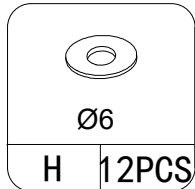
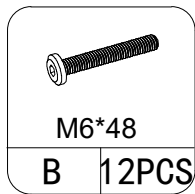


Step14

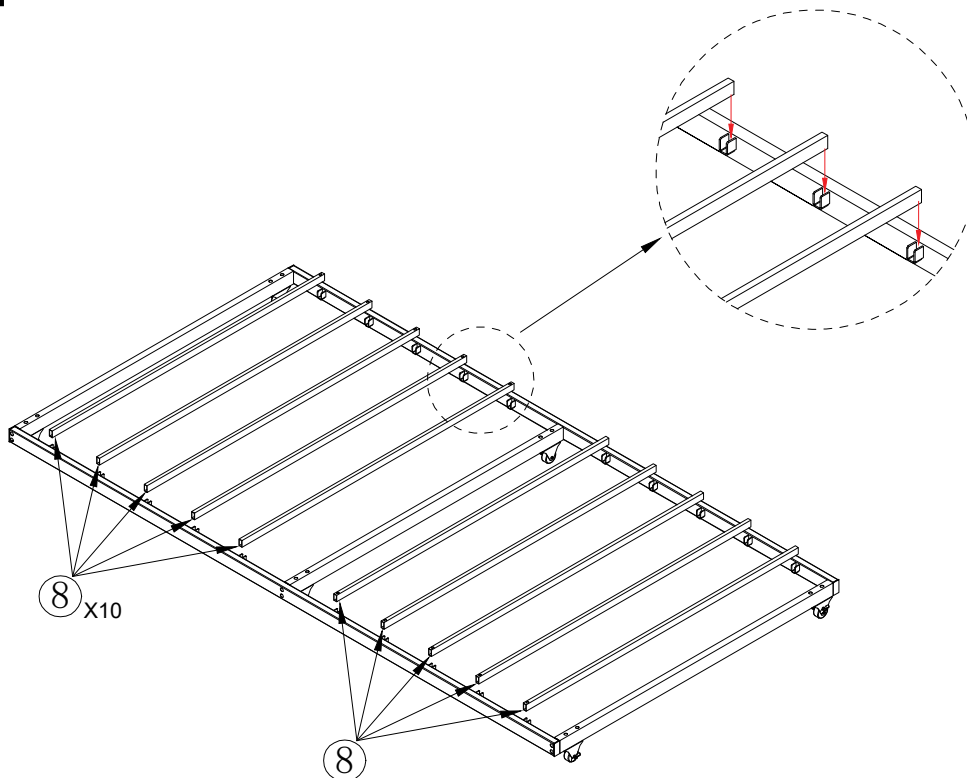


Step15

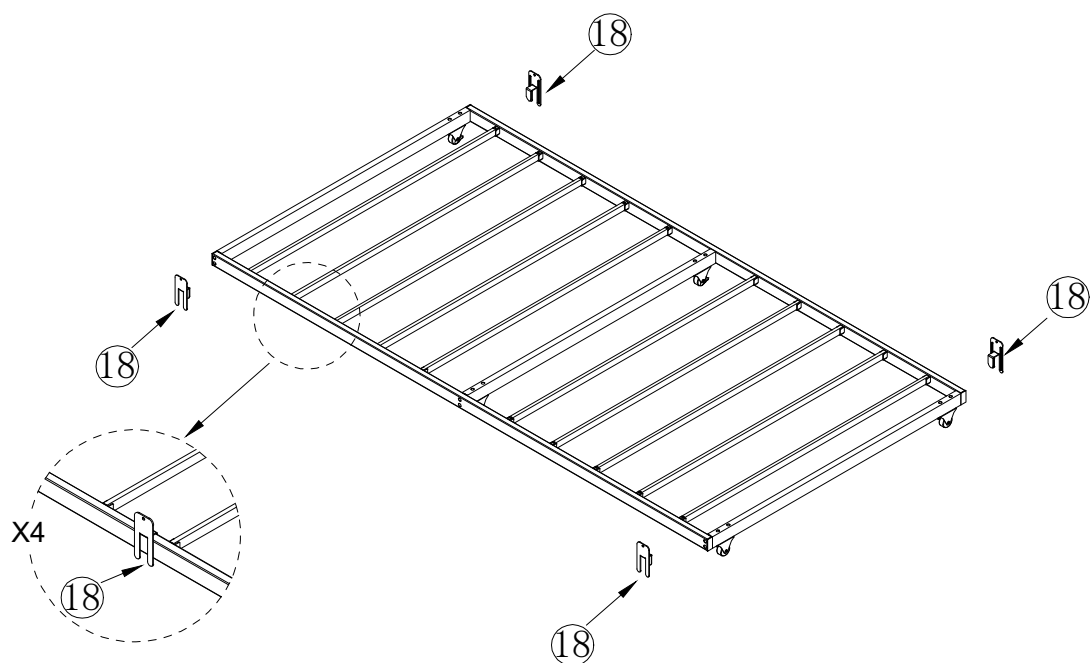
Caster wheels with brakes, please install the wheel with brake pads facing inwards.



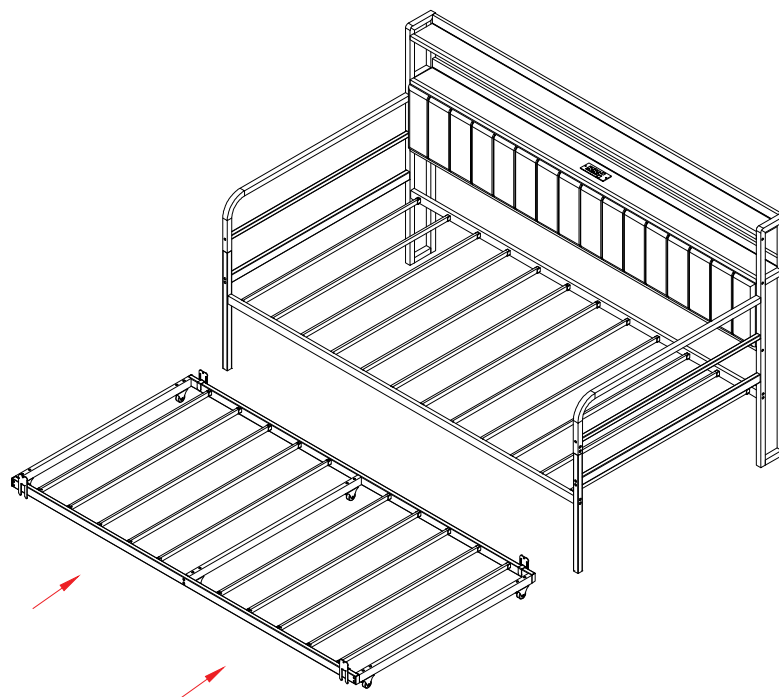
Step16



Step17

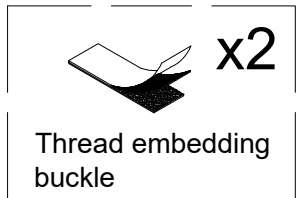
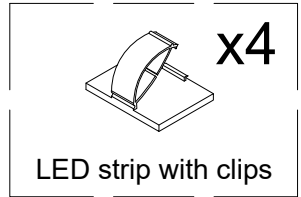
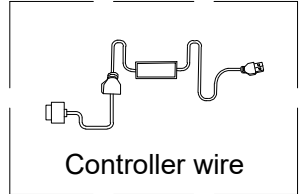
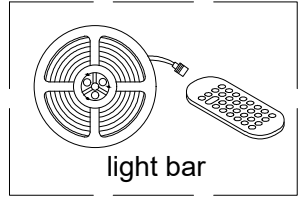
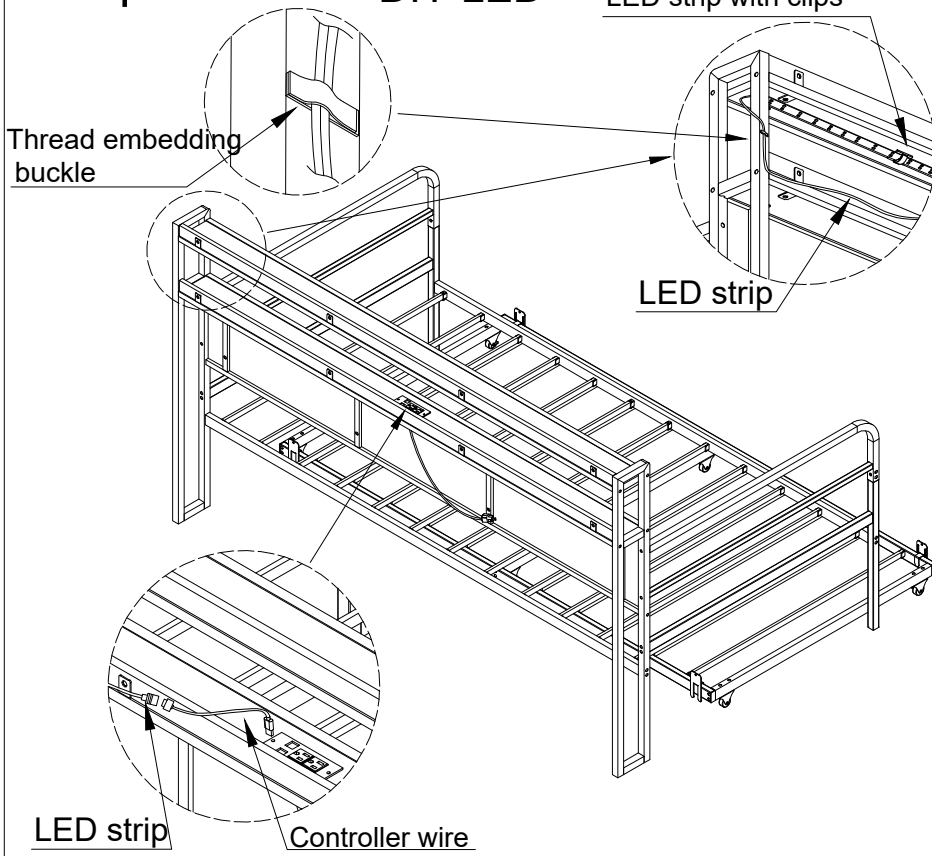


Step18



Step19

DIY LED



Step20

