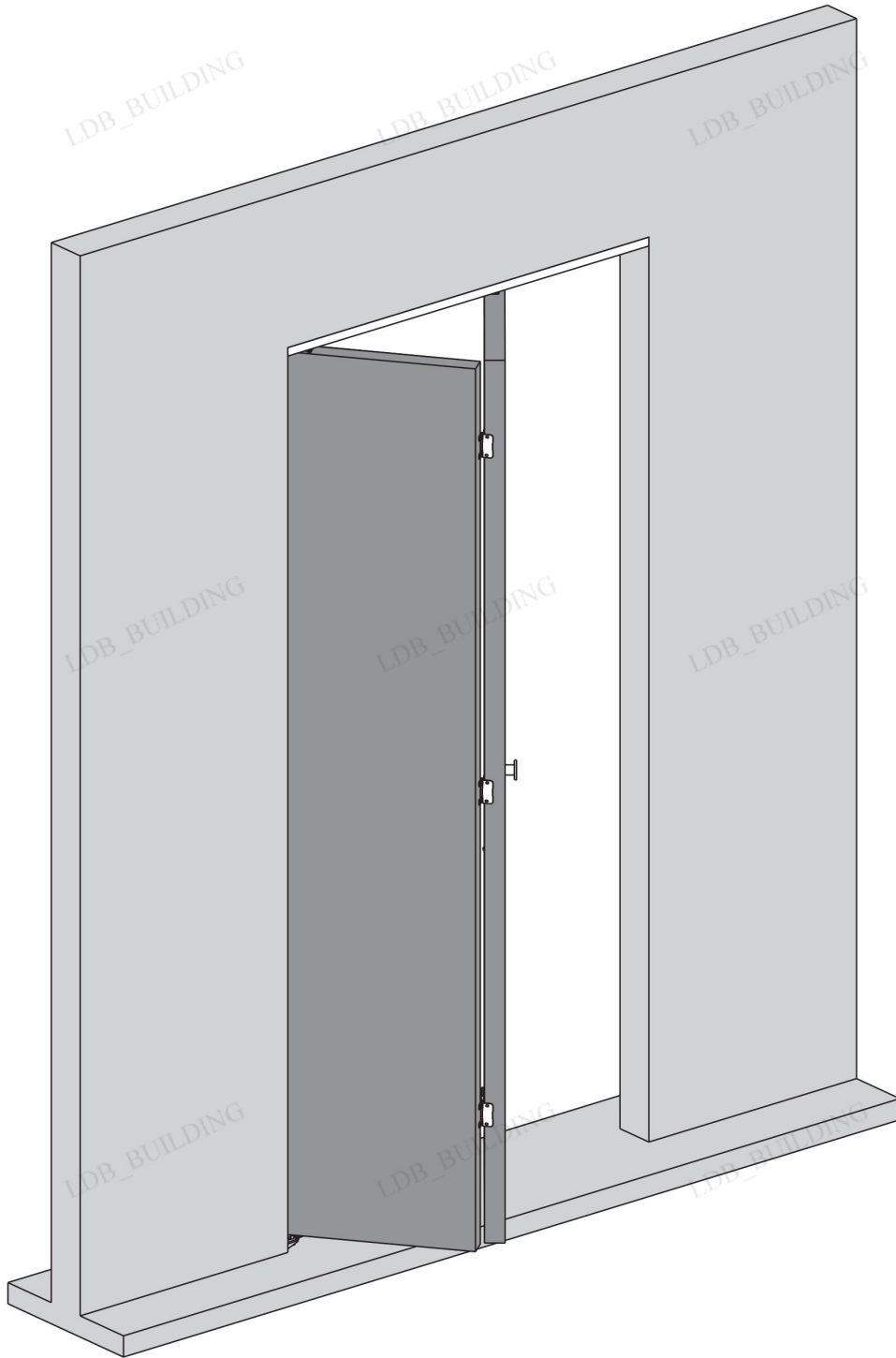


# INSTALLATION MANUAL

---

## LEFT-HAND SWING



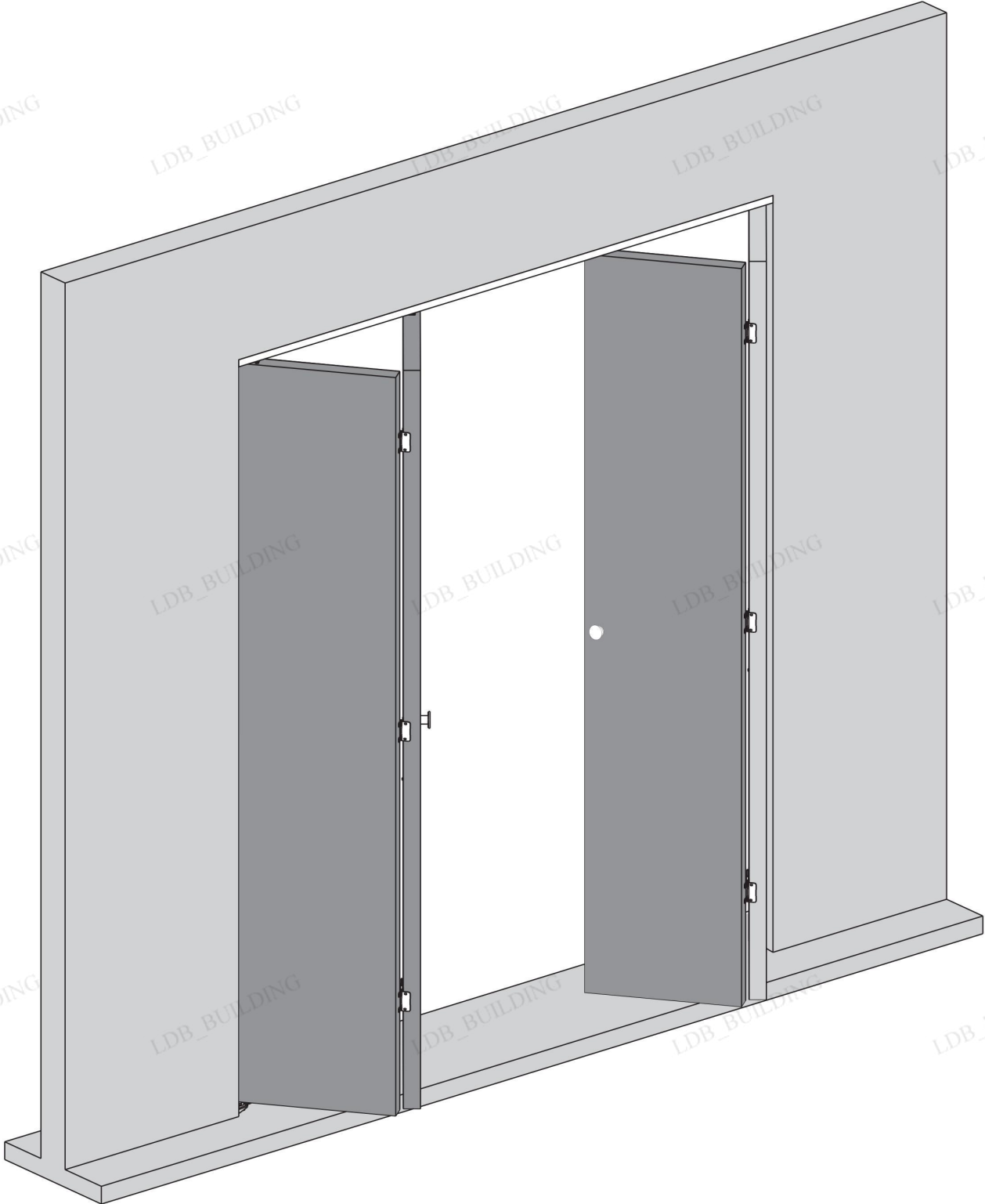
**⚠ CAUTIONS:**

\*Please read this manual carefully before installation.

\*The manual takes the LEFT-HAND as an example.

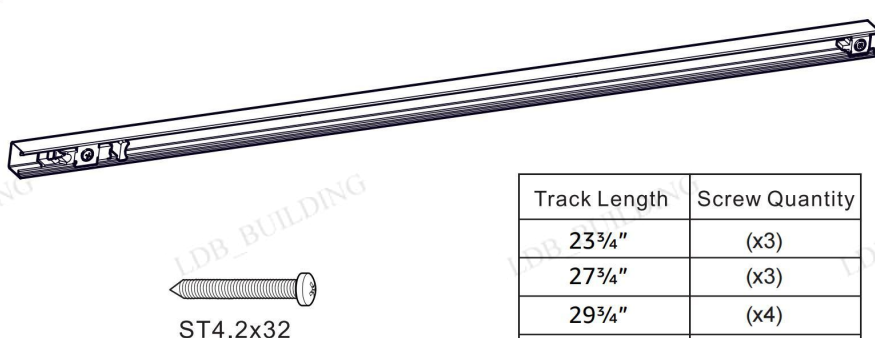
If you choose RIGHT-HAND, please install all parts in the opposite direction.

**(Note: when installing the hinges, ensure the black plastic points towards the fixed door)**



# Hardware

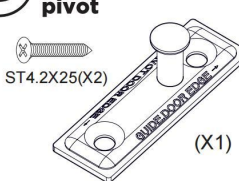
**A Top track x 1**



Track Length	Screw Quantity
23 <sup>3</sup> / <sub>4</sub> "	(x3)
27 <sup>3</sup> / <sub>4</sub> "	(x3)
29 <sup>3</sup> / <sub>4</sub> "	(x4)
31 <sup>3</sup> / <sub>4</sub> "	(x4)
35 <sup>3</sup> / <sub>4</sub> "	(x4)

ST4.2X32

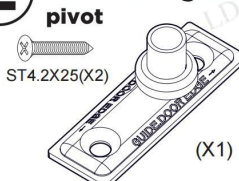
**D Fixed door top pivot**



ST4.2X25(X2)

(X1)

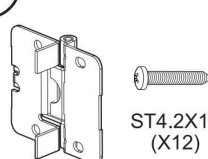
**E Active door guide pivot**



ST4.2X25(X2)

(X1)

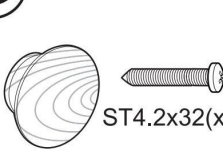
**F Hinge**



ST4.2X16 (X12)

(X3)

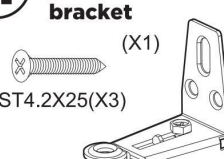
**G Knob**



ST4.2x32(x1)

(X1)

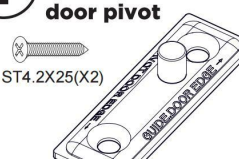
**H Bottom fixed bracket**



ST4.2X25(X3)

(X1)


**I Bottom fixed door pivot**



ST4.2X25(X2)

(X1)


**J Panel aligner**



ST4.2X16 (X2)

(X1)

**K Fascia**



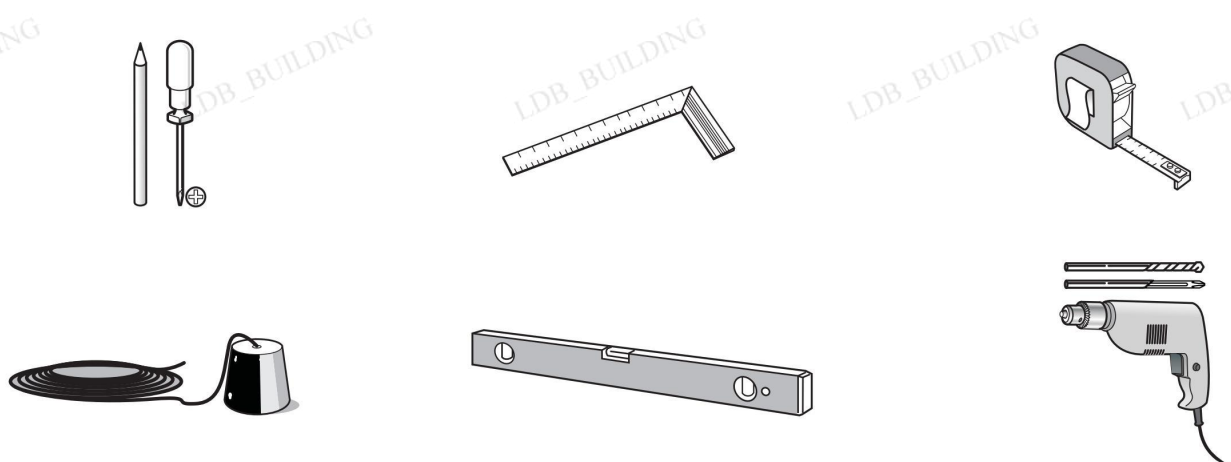
(x1)

Wrench

Have any questions or issues? Reach out to us with **PO#**

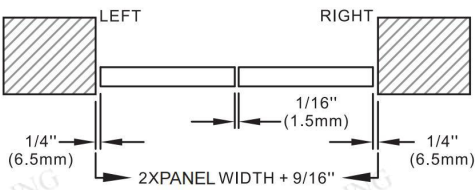
**Email: [help@bestbarndoor.com](mailto:help@bestbarndoor.com)**

# Tools required

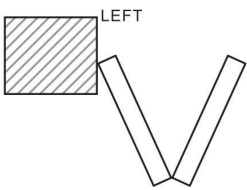


# Assembly Notes

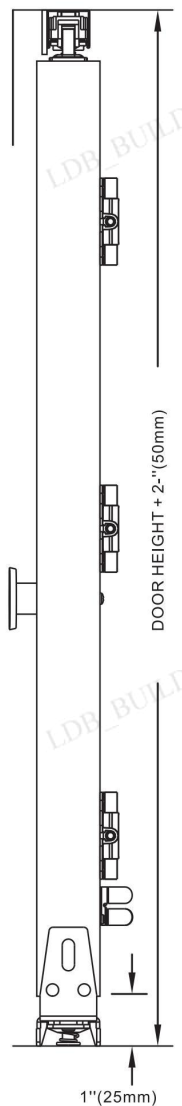
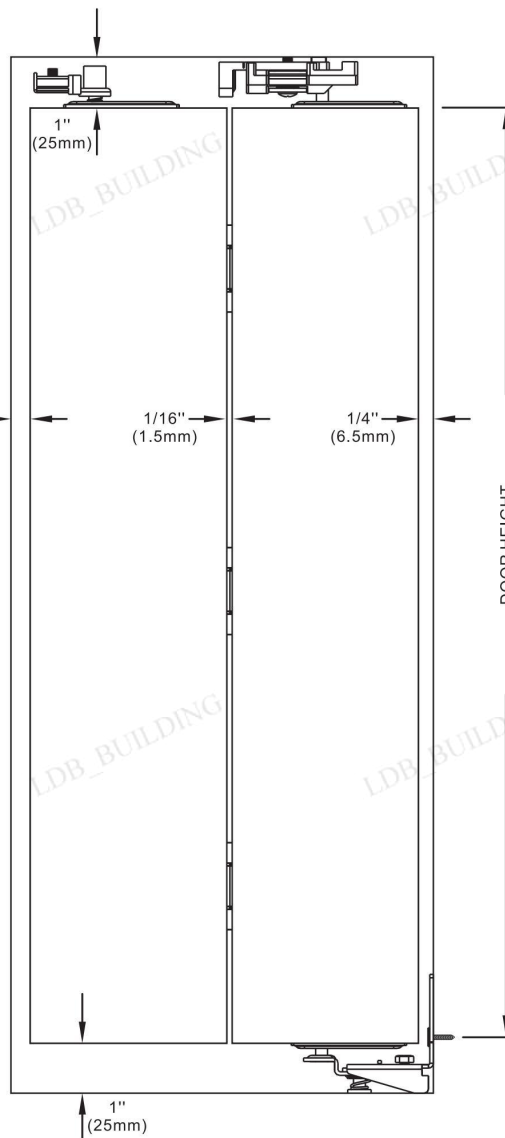
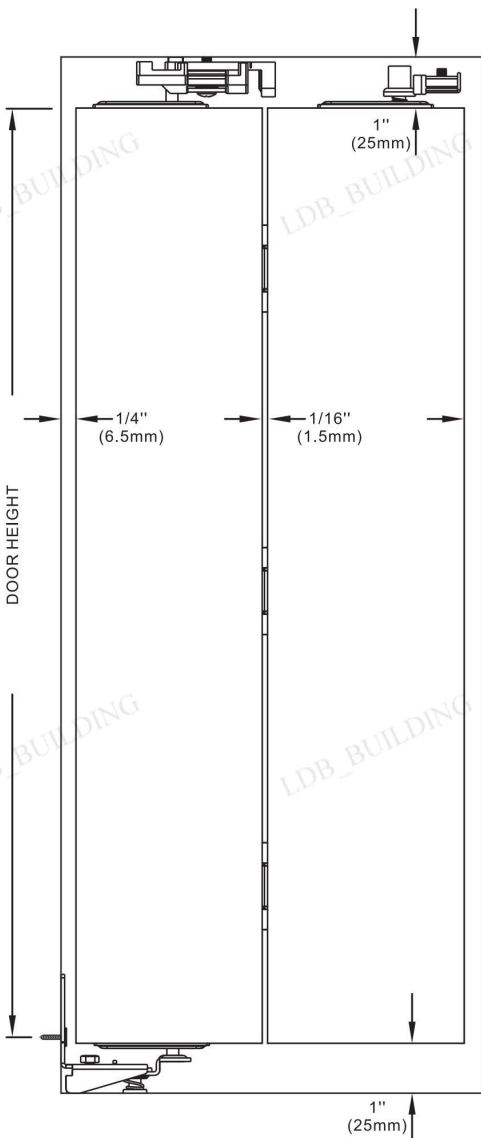
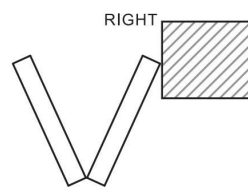
## 2 X PANEL



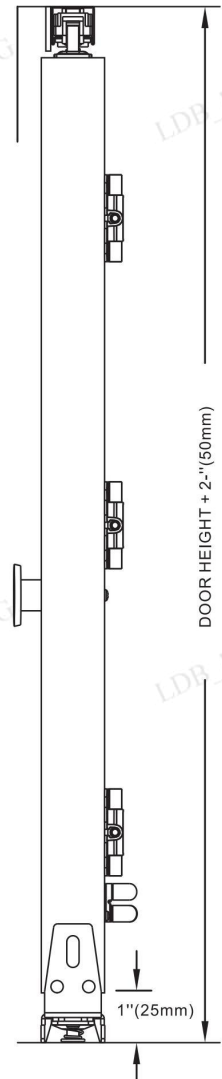
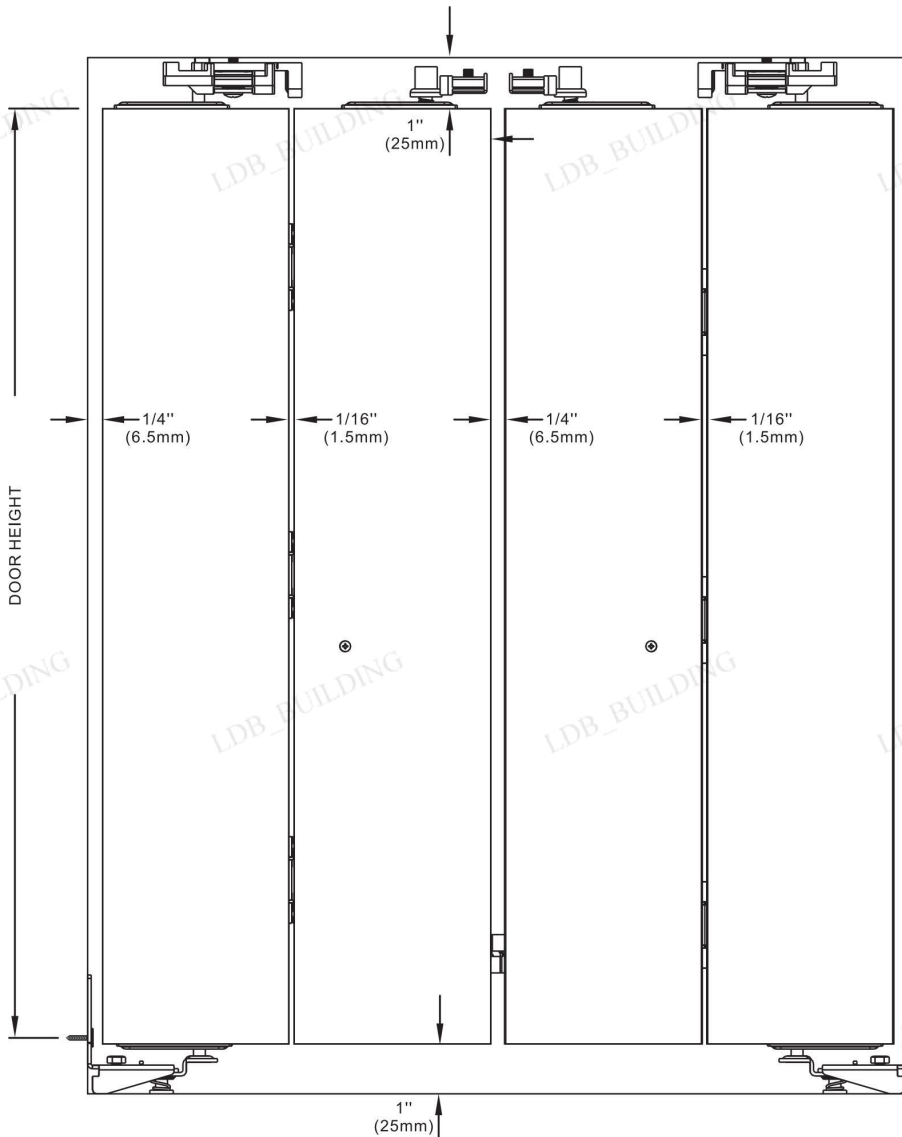
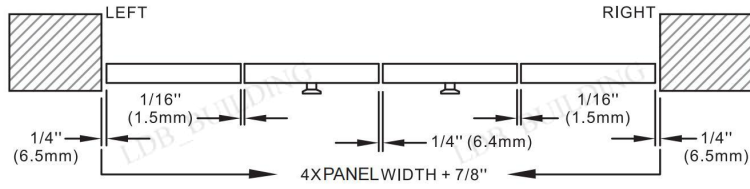
### LEFT HAND SWING



### RIGHT HAND SWING



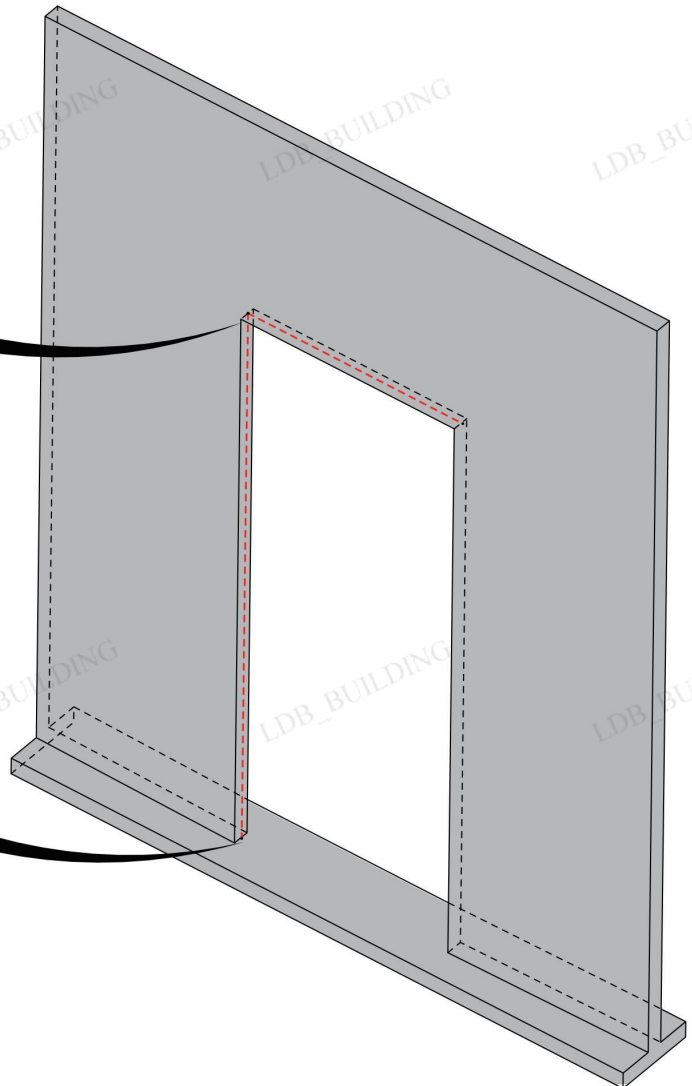
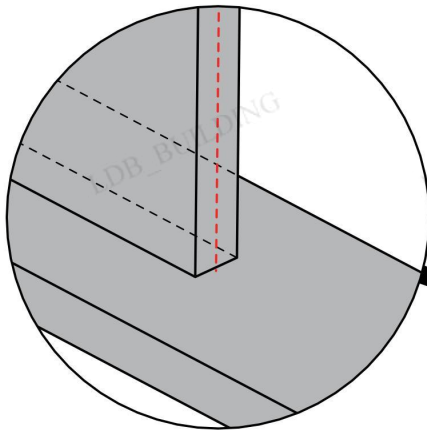
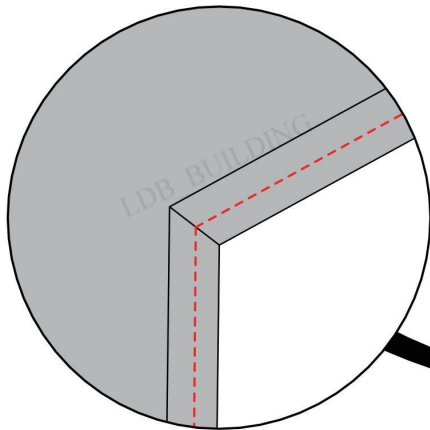
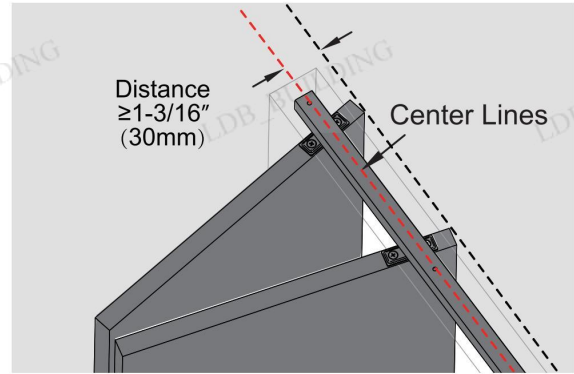
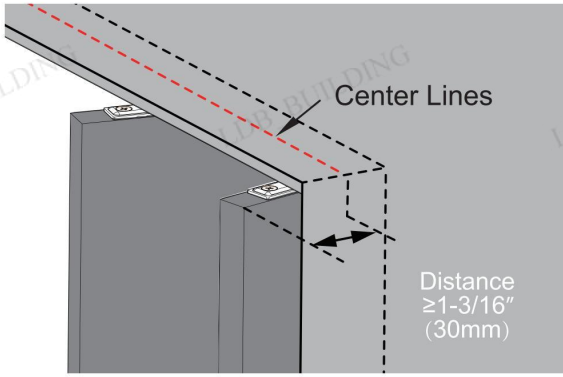
### 4 X PANEL



# Product Installation

## Step 1 Draw Center Lines

Installation requirement: Distance  $\geq 1\text{-}3/16"$  (30mm)

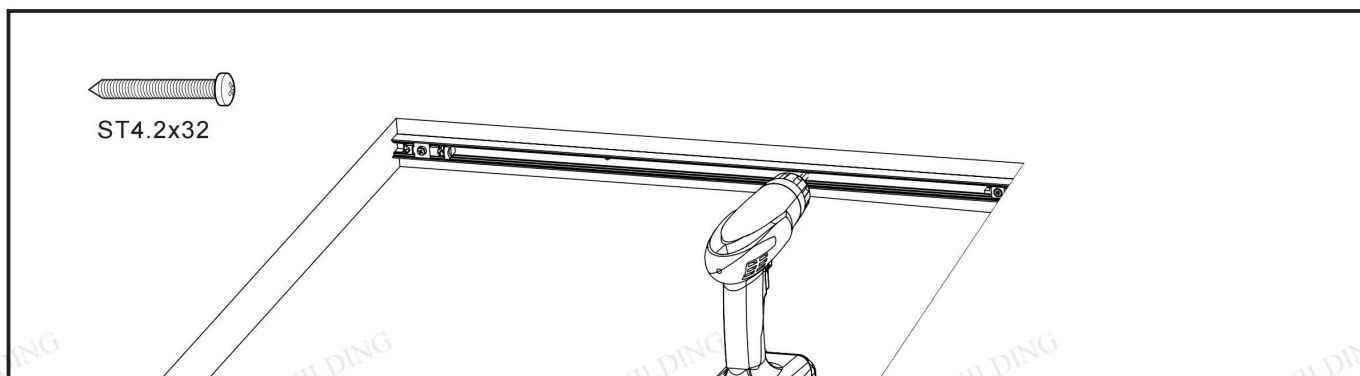


## Product Installation

### Step 2 Mount Top Track(A)

Screw in the track screws.

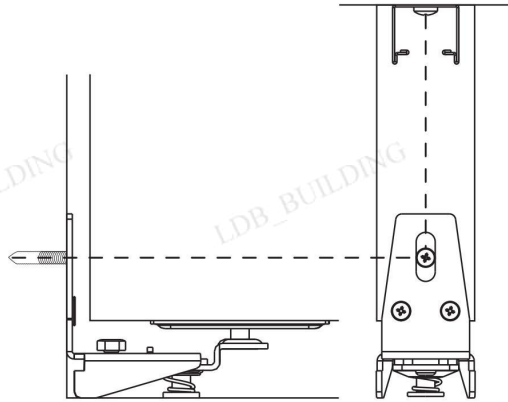
Tips: Secure the screws in the center first, then both sides.



# Product Installation

## Step 3 Mount Bottom fixed bracket(H)

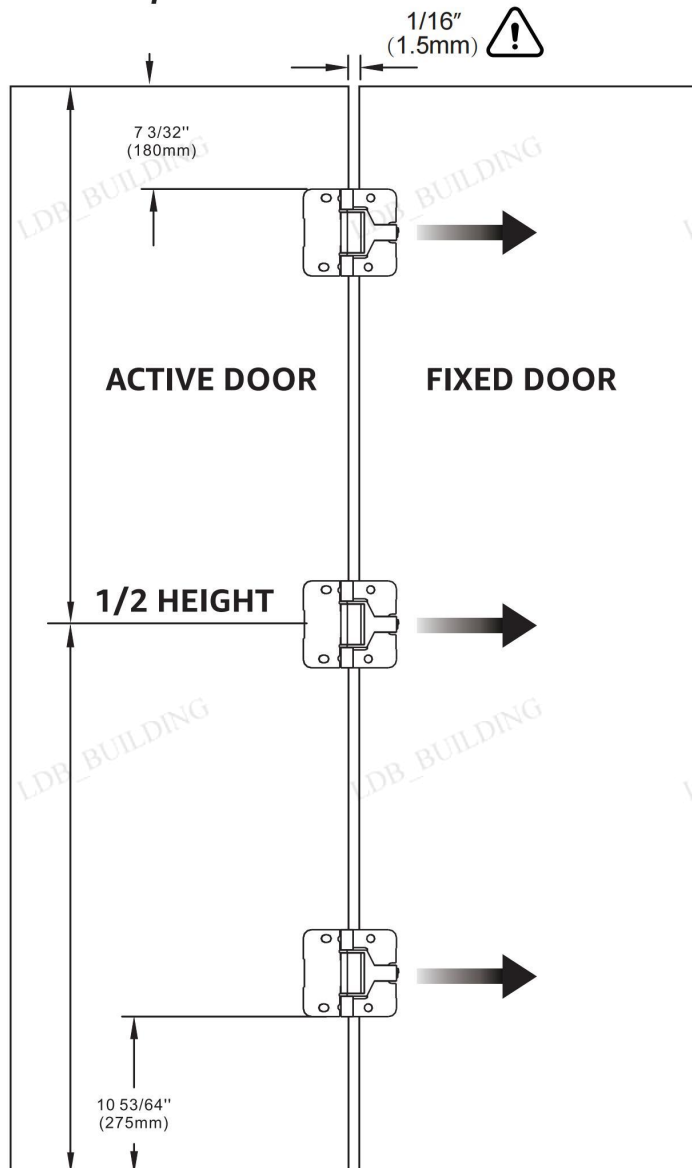
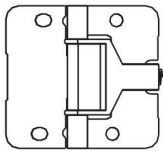
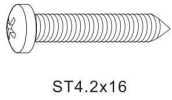
Align Bottom fixed bracket(H) with the centerline of the door frame, drill holes and screw in.



## Step 4 Attach Hinges(F)

**⚠ IMPORTANT:**

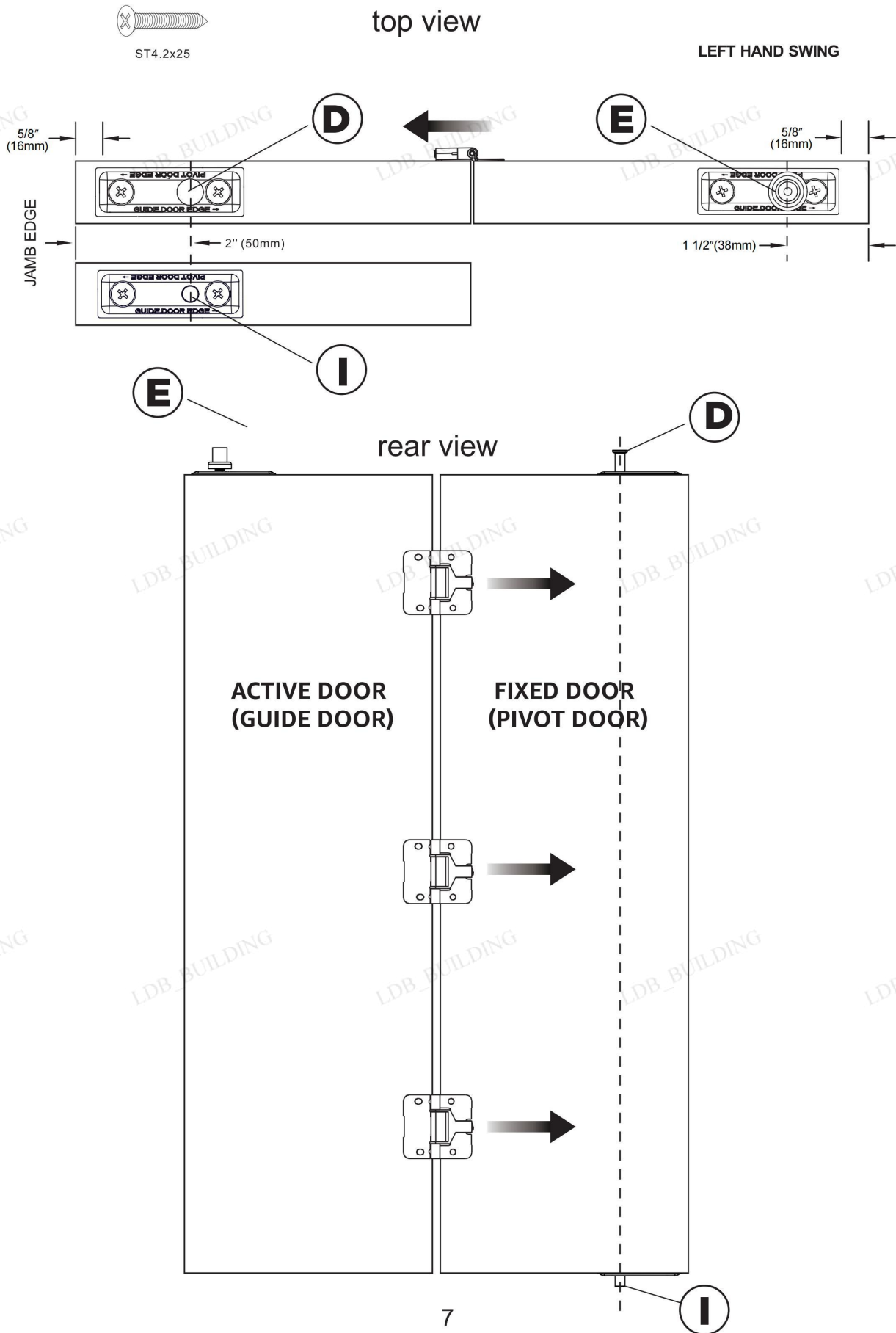
- \* **MAKE SURE THE PLASTIC points towards FIXED DOOR AS ILLUSTRATED BELOW**
- \* **1/16" (1.5mm) gap required between the two panels**



# Product Installation

## Step 5 Screw in all Pivots (D) (E) (I)

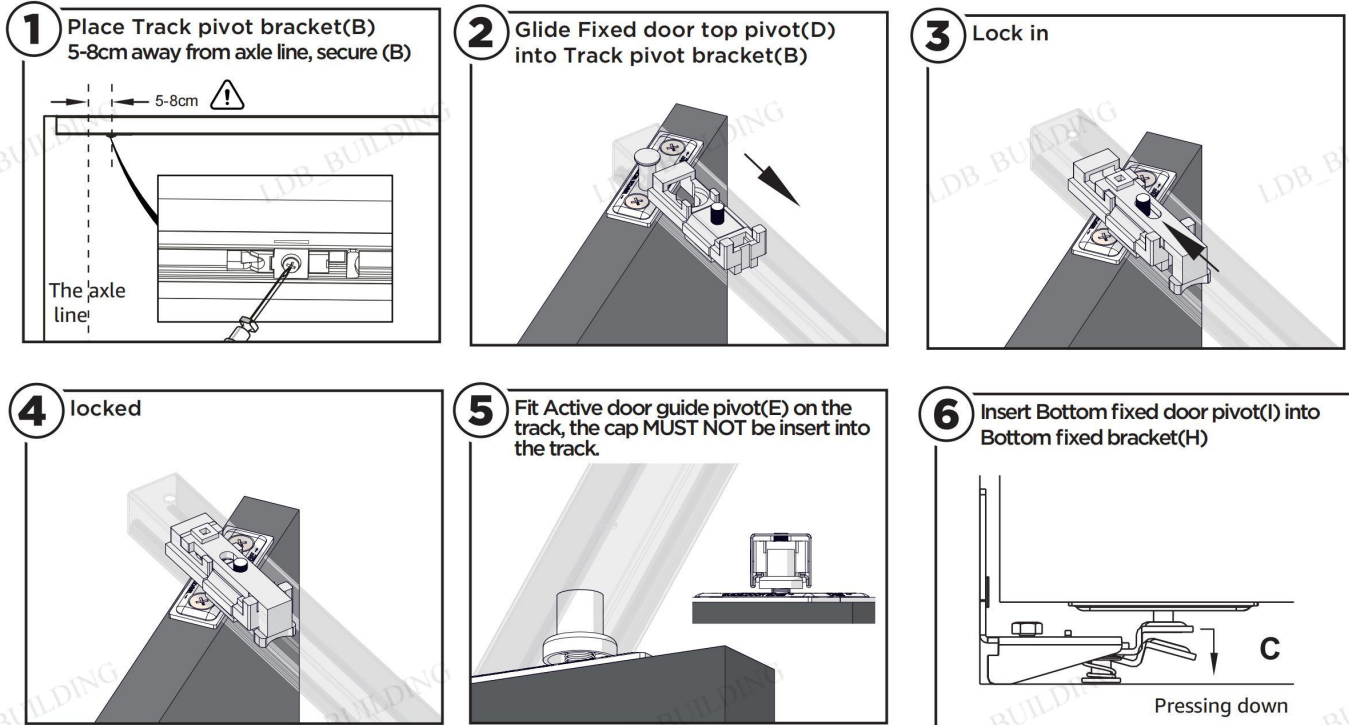
Secure the screws into the predrill holes.



# Product Installation

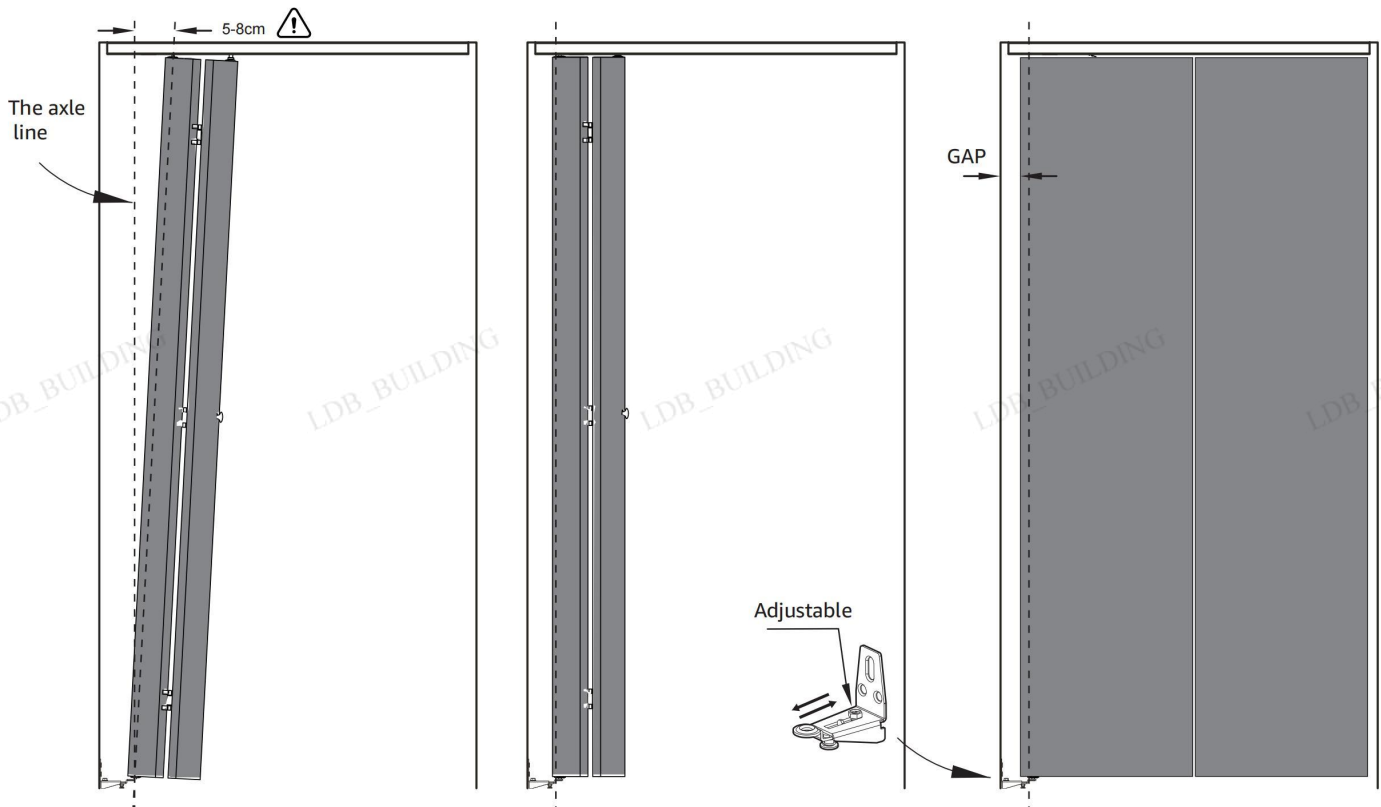
## Step 6 Hang the Door

Insert Fixed door top pivot (D) into Track pivot bracket(B) and lock the bracket by pushing the arm inward.



Loosen screw on Track pivot bracket (B), slide the door toward Axle line, secure (B) until the door vertical to the ground.

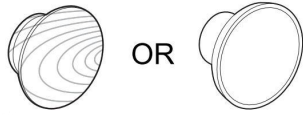
TIP: If you find the gap is unacceptably large between edge and door kindly adjust Part (H) until acceptable, and ensure your door vertical by adjusting Part (B),



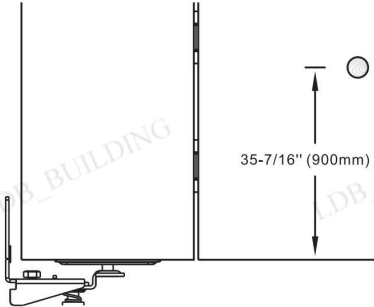
# Product Installation

## Step 7 Install Knob(G)

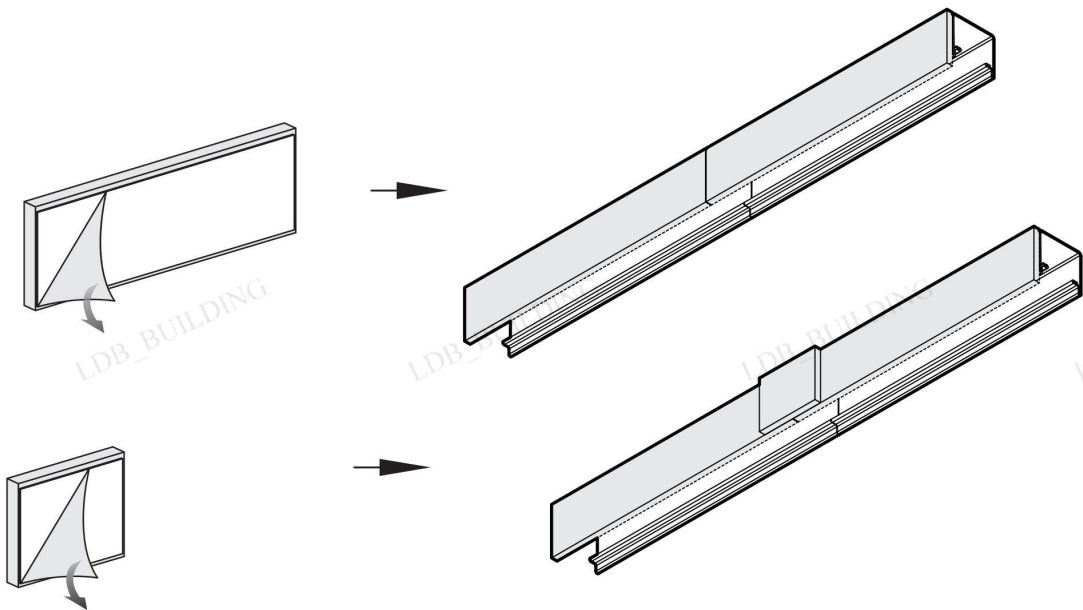
Secure Knob(G) with screw from backside through the door panel at a height you prefer.



ST4.2x32

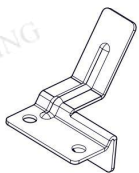


## Step 8 Attach Fascia(K)



## Optional: Step 9 Install Panel Aligner(J)

Only applicable to 4 X Panel



ST4.2x16

