

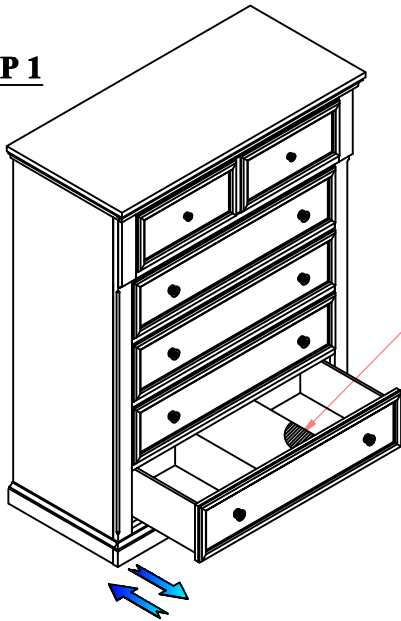
ASSEMBLY INSTRUCTIONS

CHEST

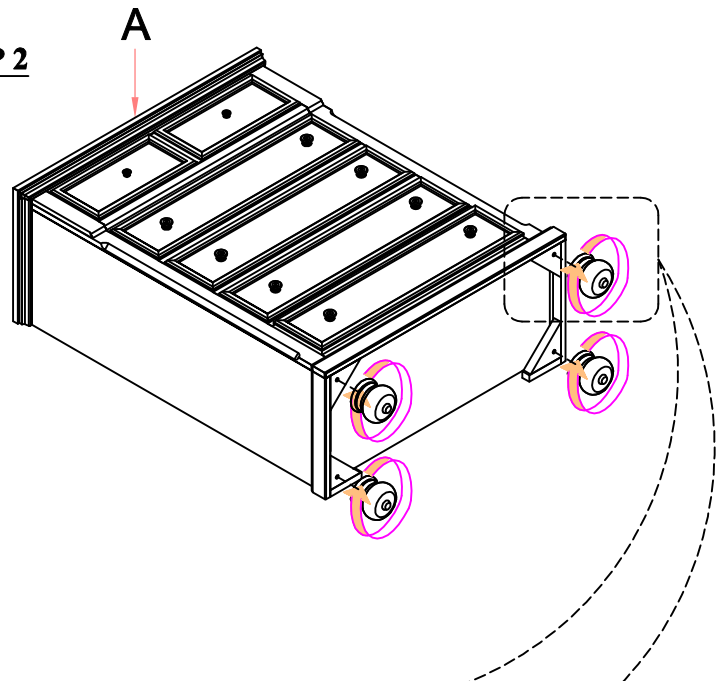
**NOTE: THIS ITEM NOT RECOMMENDED FOR COMMERCIAL USE
KEEP THIS DOCUMENT FOR REFERENCE IN CASE PARTS ARE NEEDED
DO NOT TIGHTEN SCREWS UNTIL COMPLETELY ASSEMBLED! !**

| No | DESCRIPTION | | Q'TY |
|----|-------------|--------------------------|------|
| A | CHEST SIZE | 38" X 18" X 48-1/2" | 1PC |
| B | LEG SIZE | 4-3/8" X 4-3/8" X 3-1/2" | 4PCS |

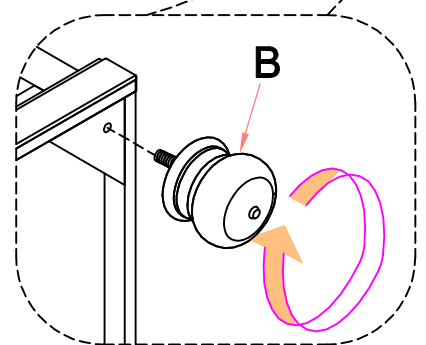
STEP 1



STEP 2



★ Remark: there is a tip restraint kit provided on the back of this product. Please read the directions thoroughly and install immediately when placed in home



STEP 3

