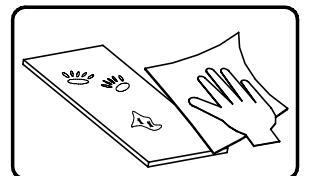
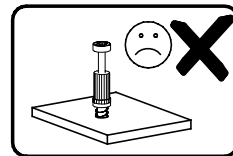
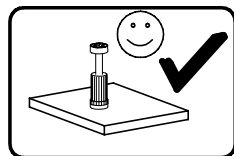
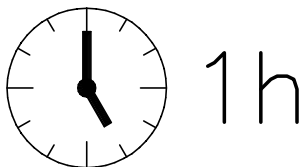
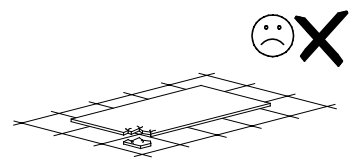
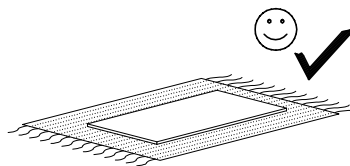
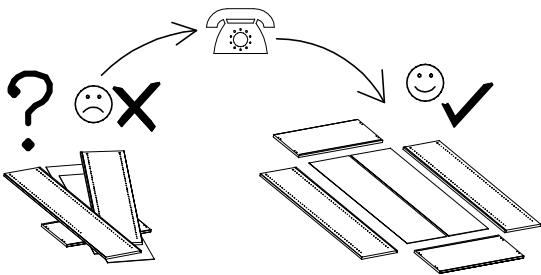
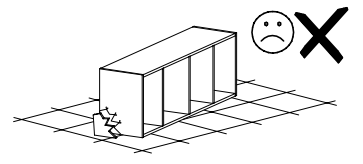
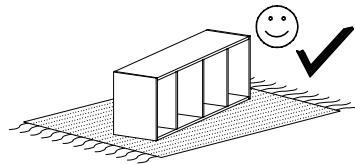
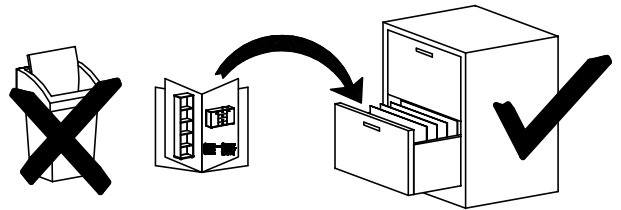
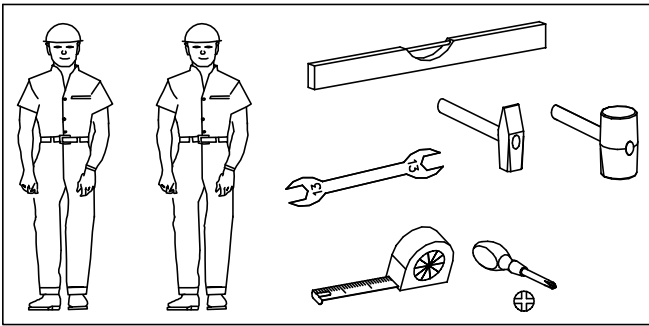
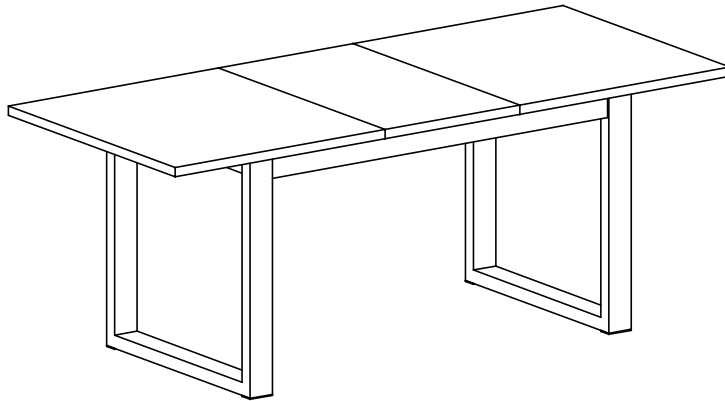
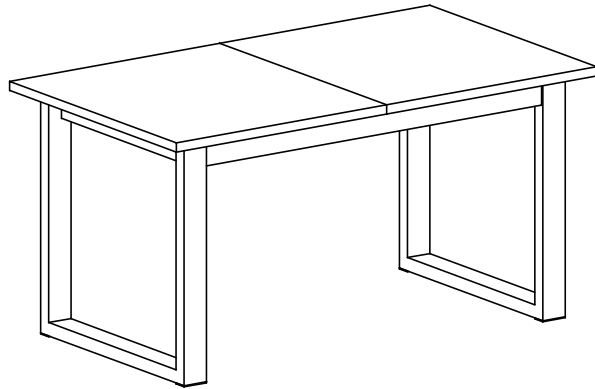
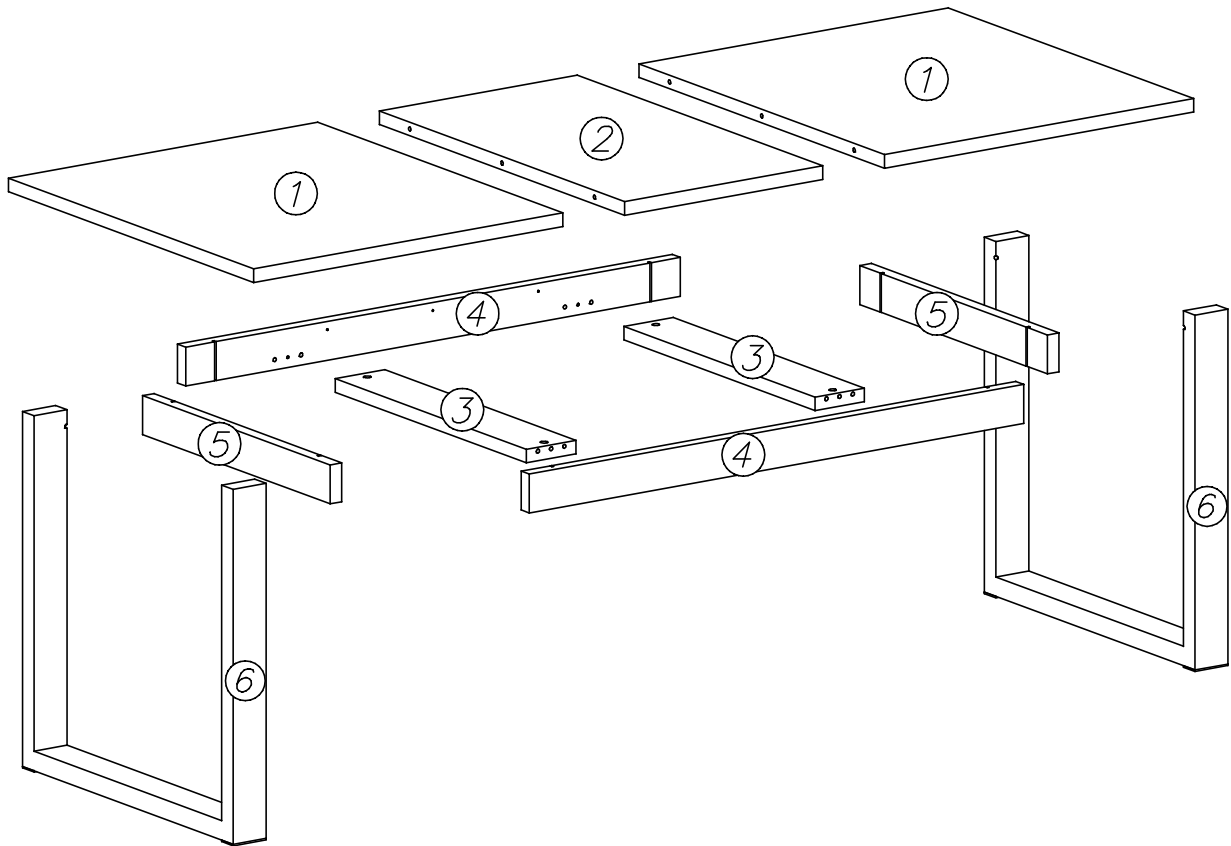
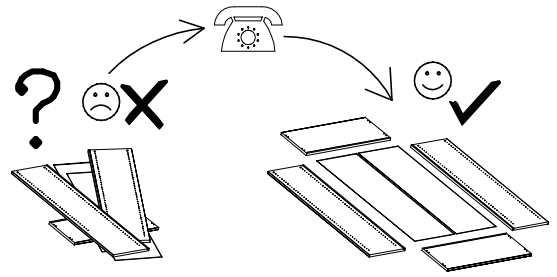
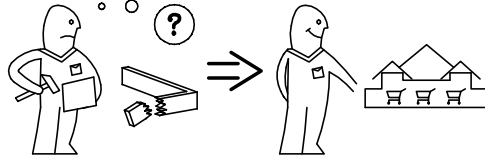
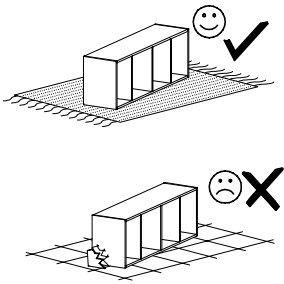
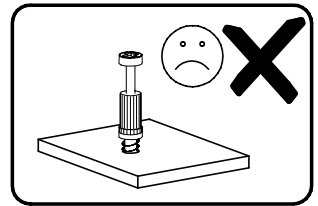
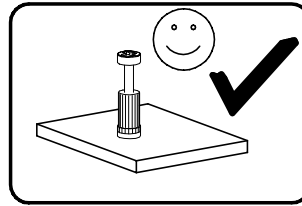
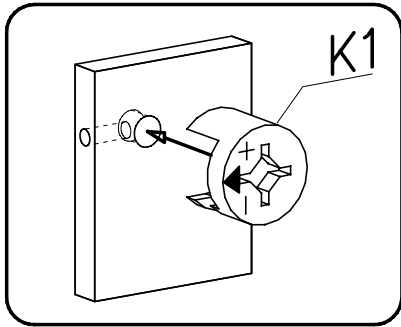
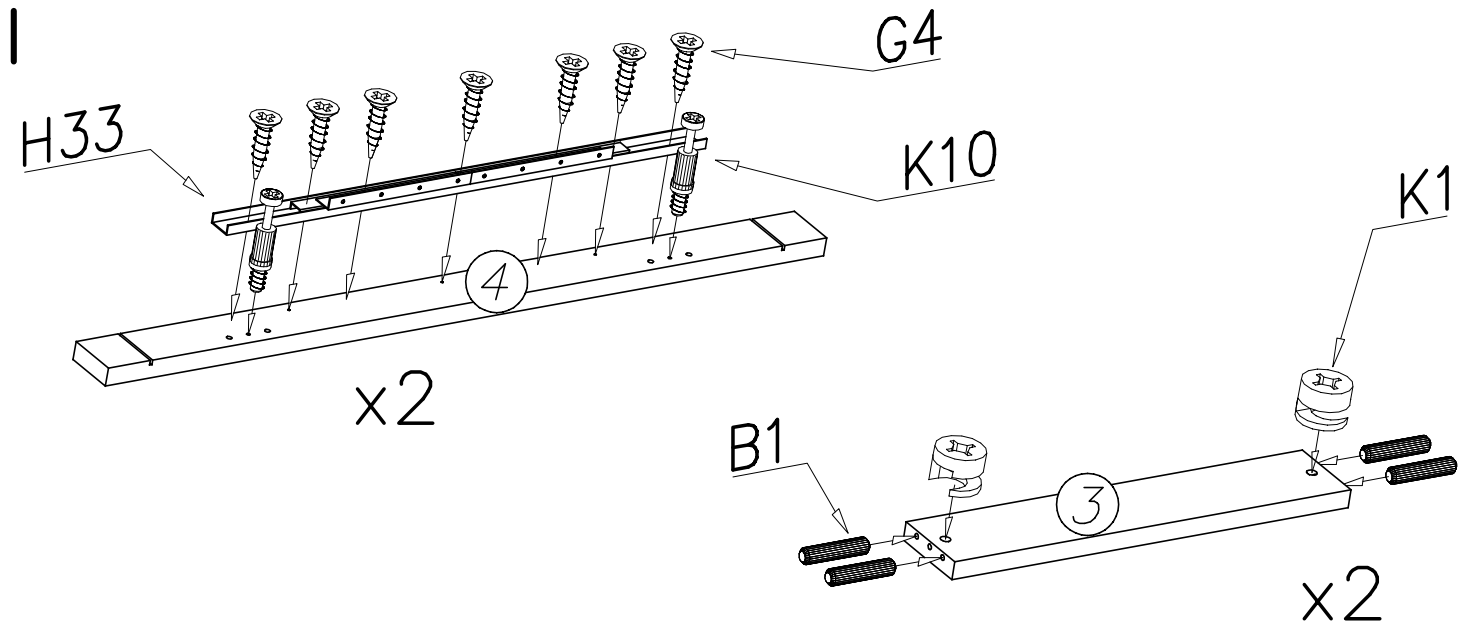
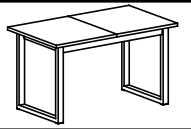


ART II

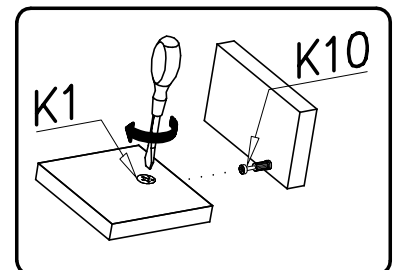
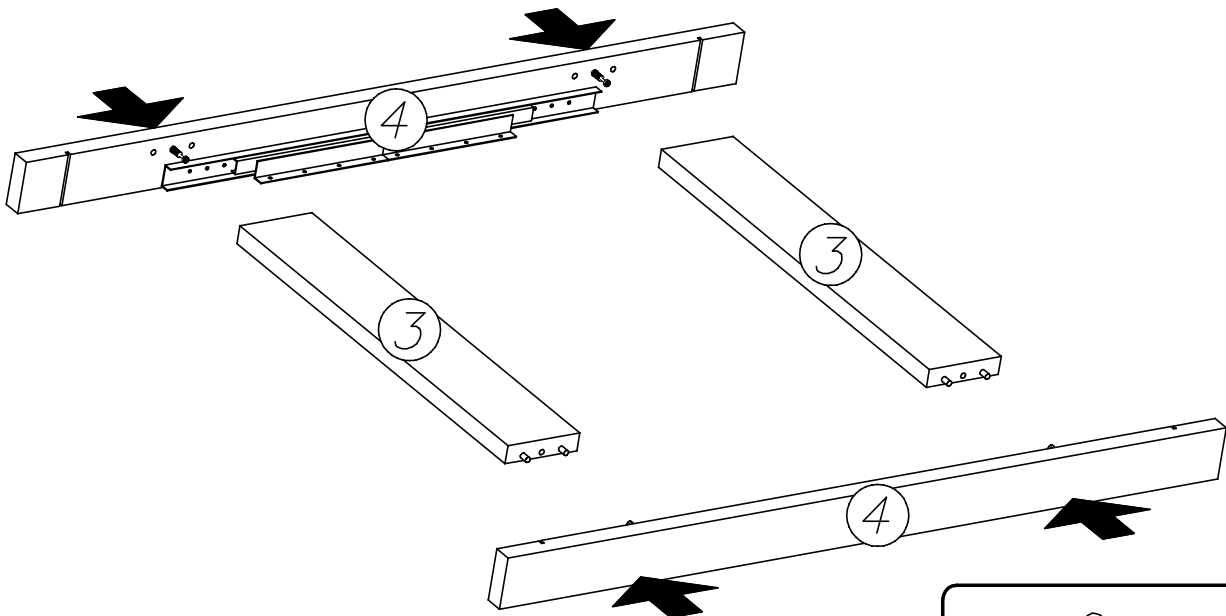


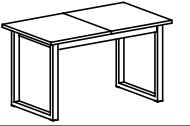


| | | | | | | |
|-------------------------|----------------------------|--------------------|-----------------------------|--------------------|-----------------------------|----------------------------|
| N40 M8x60 x...(4) | N5 x...(8) | B5 x...(6) | G21 3x16 x...(4) | M15 x...(2) | W8 50x20 x...(6) | G4 4x16 x...(46) |
| B1 ø8x35 x...(8) | W3 7x1,5 x...(4) | K10 x...(4) | K1 ø15x12 x...(4) | S13 x...(4) | H33 700mm x...(1) | W2 x...(1) |

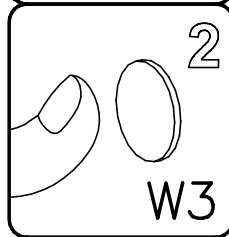
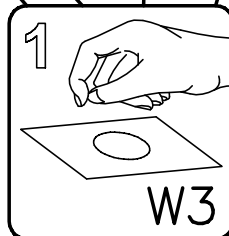
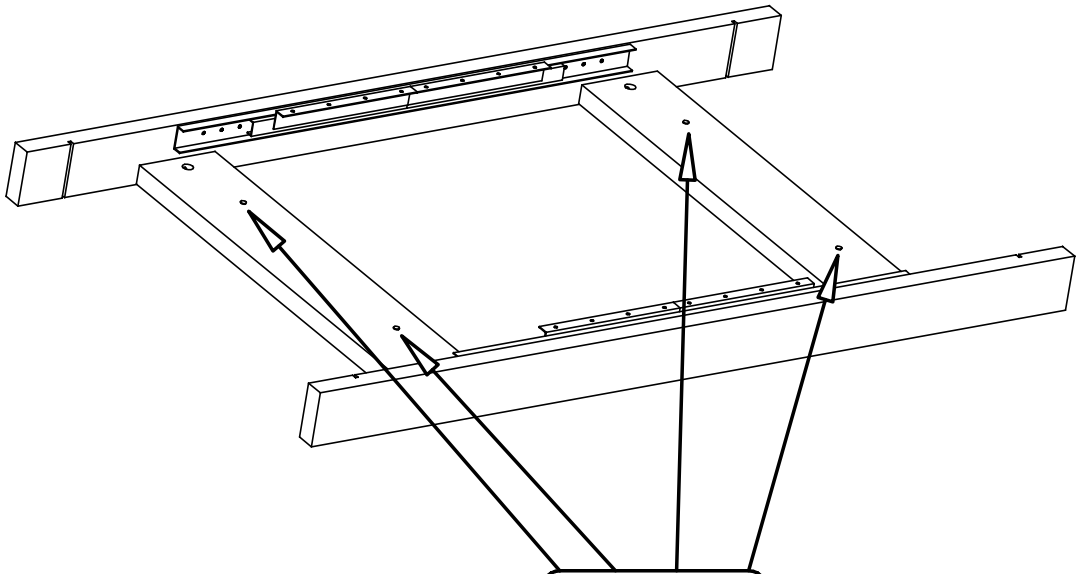
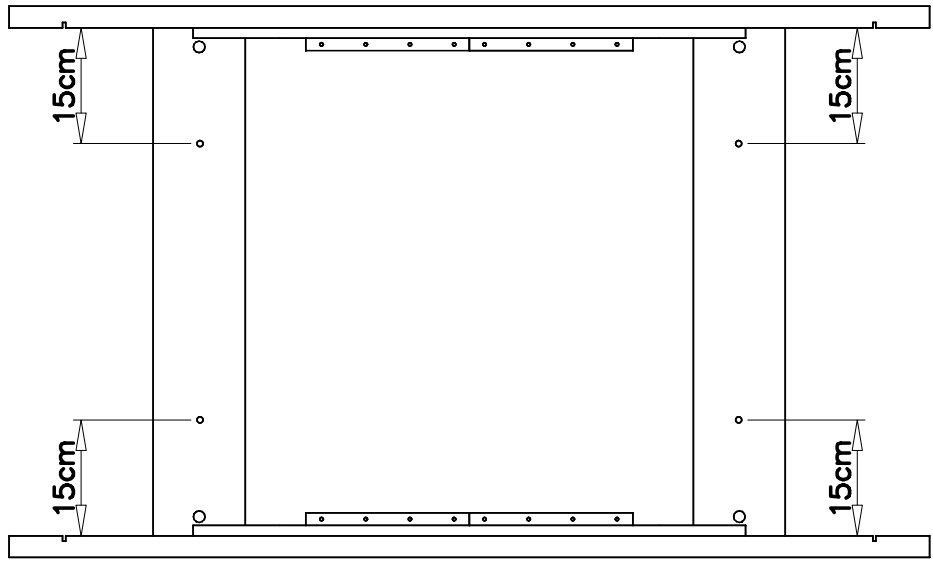


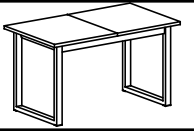
II



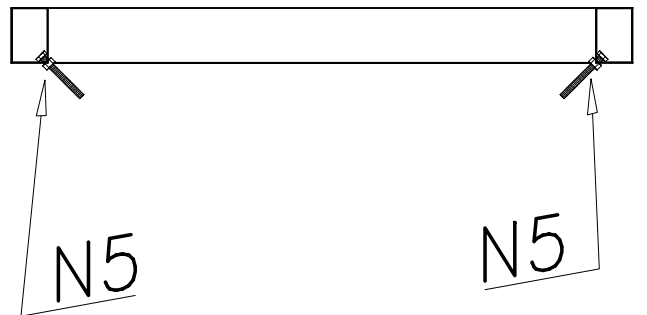
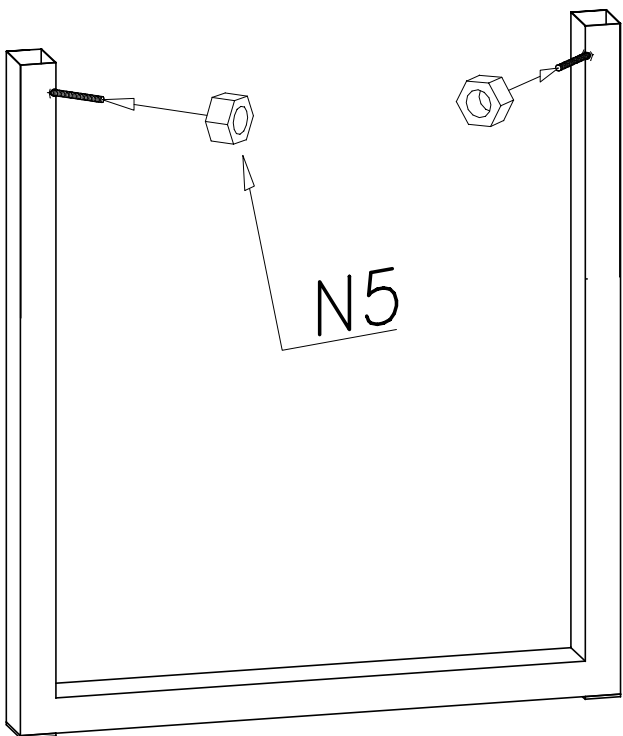
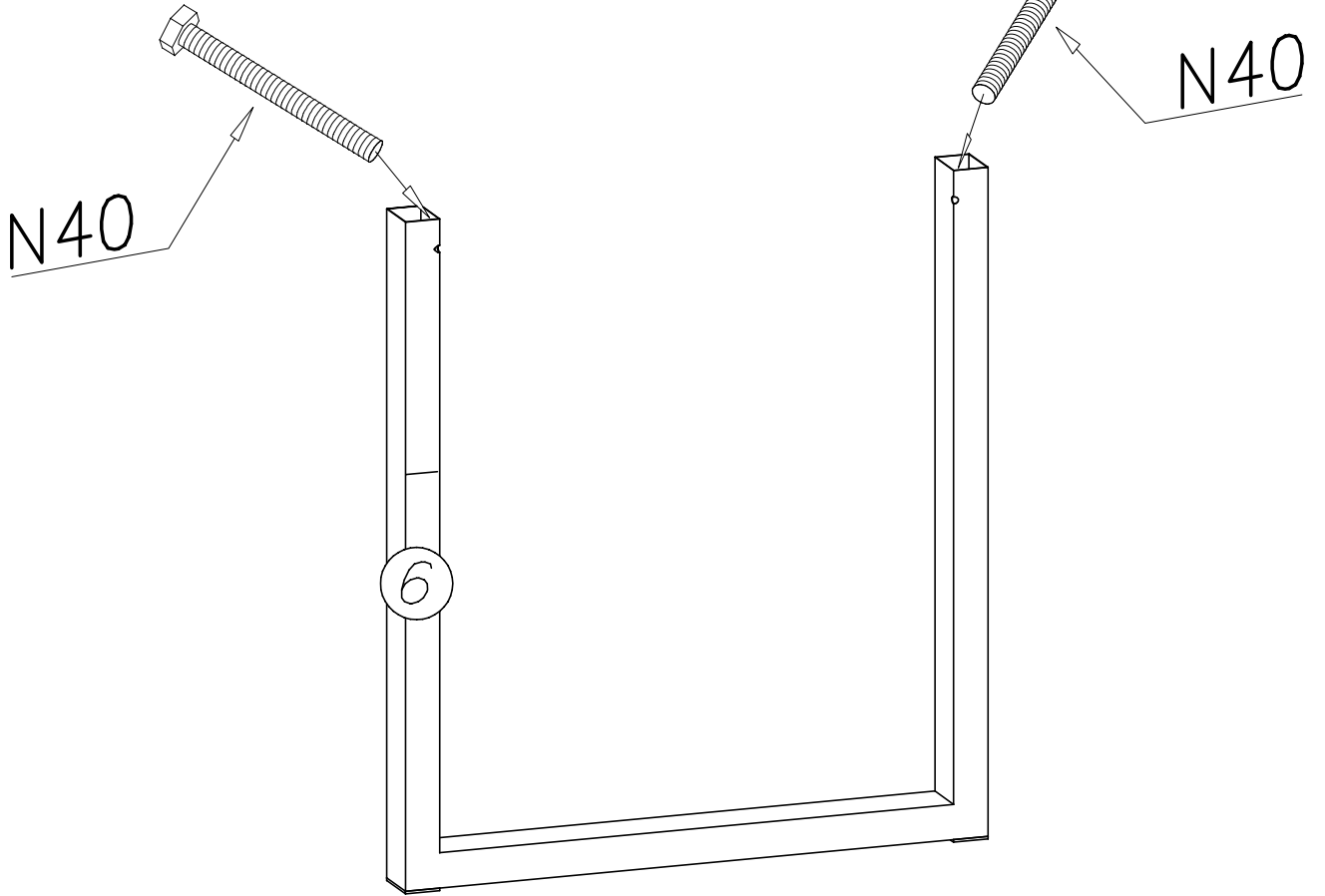


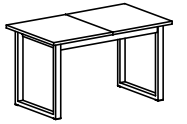
III



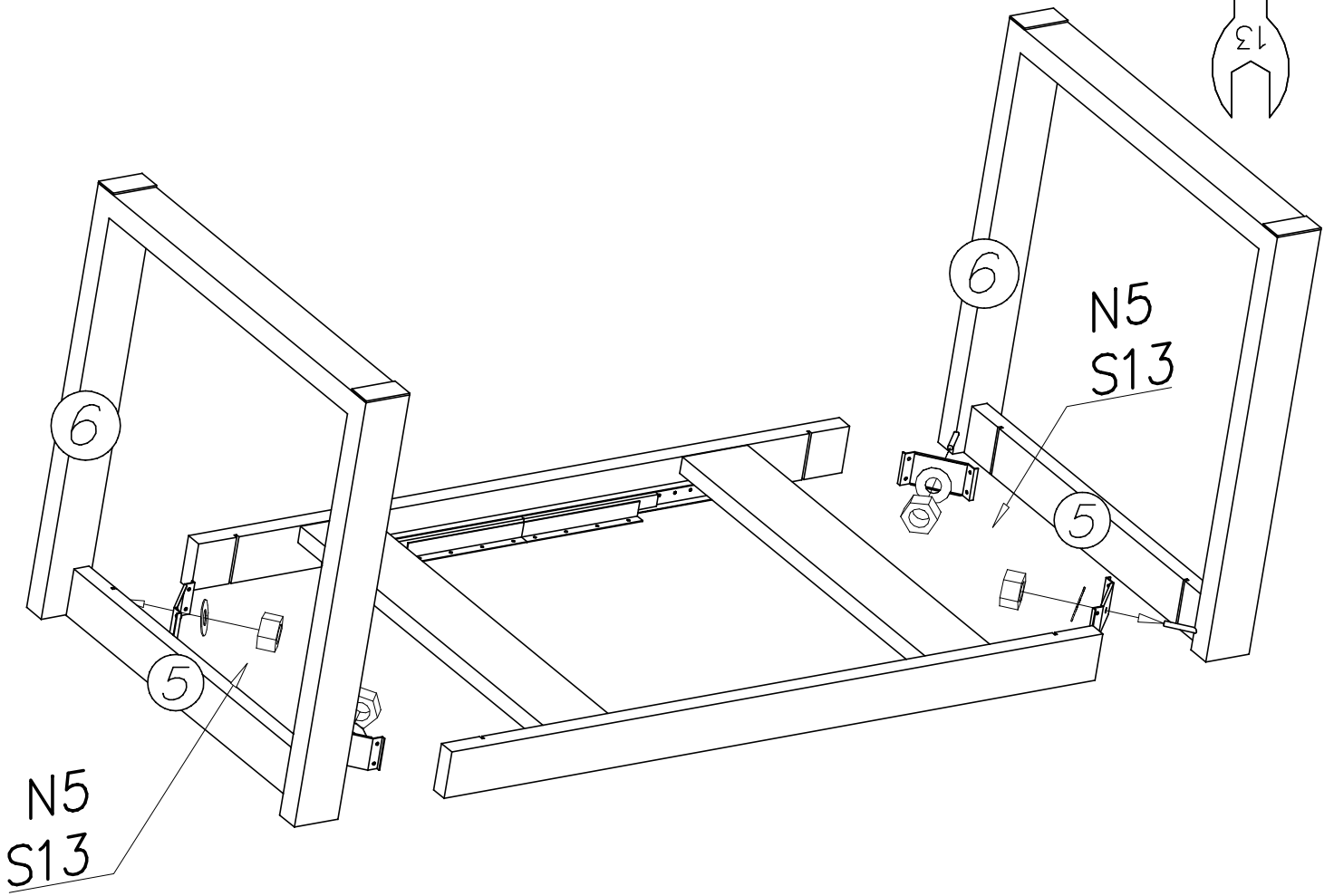
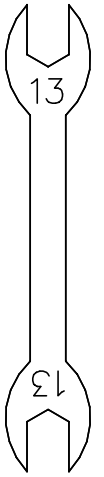
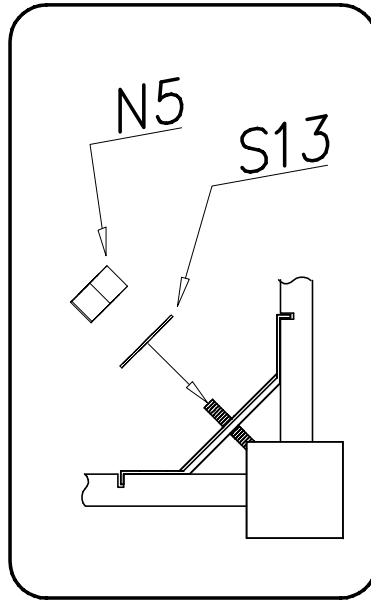
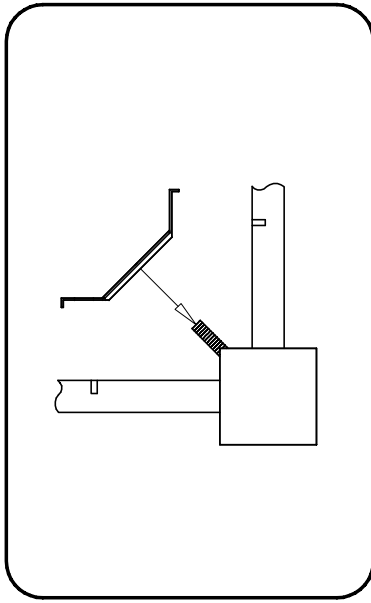


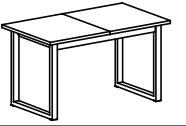
IV



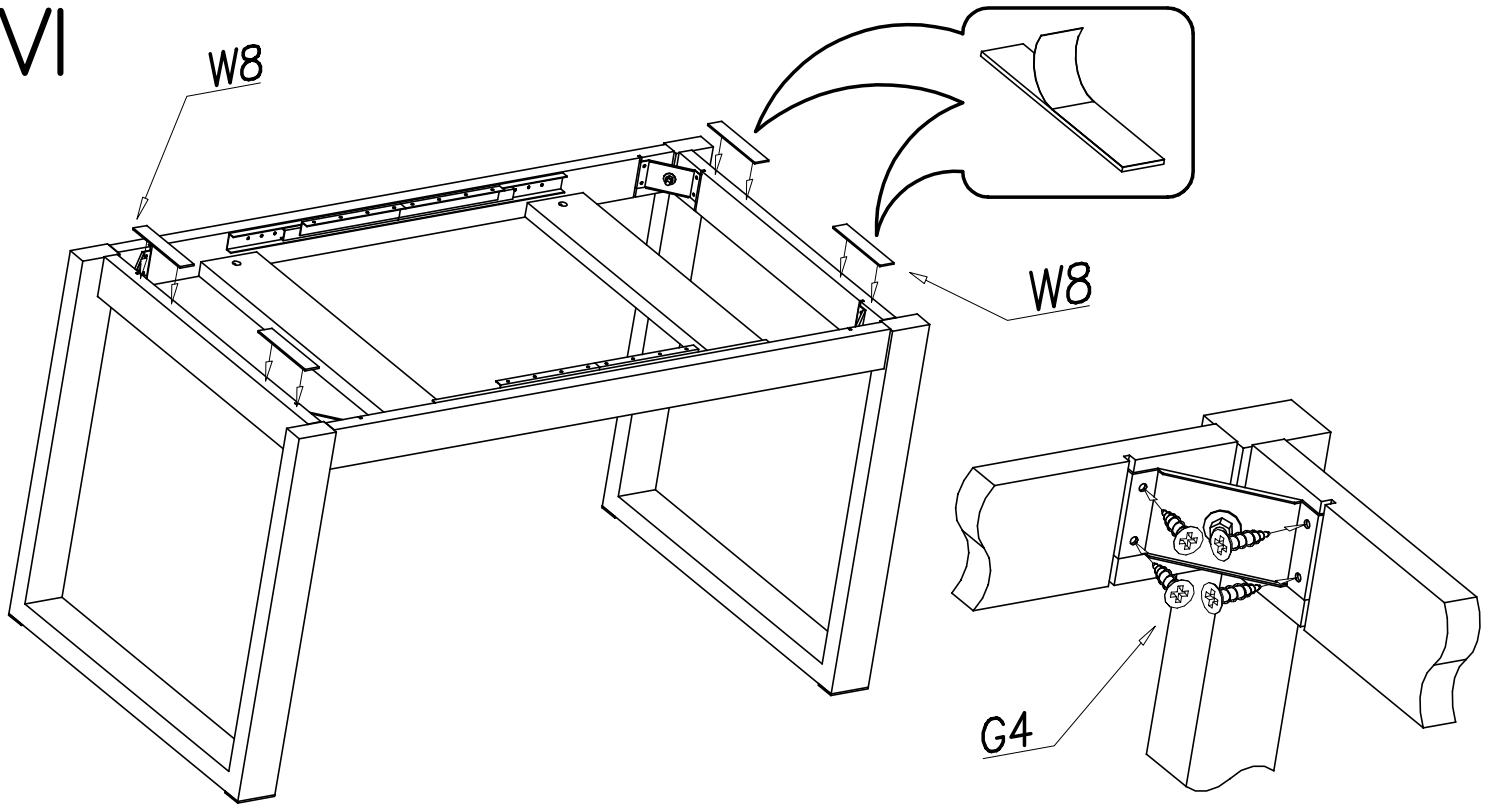


V

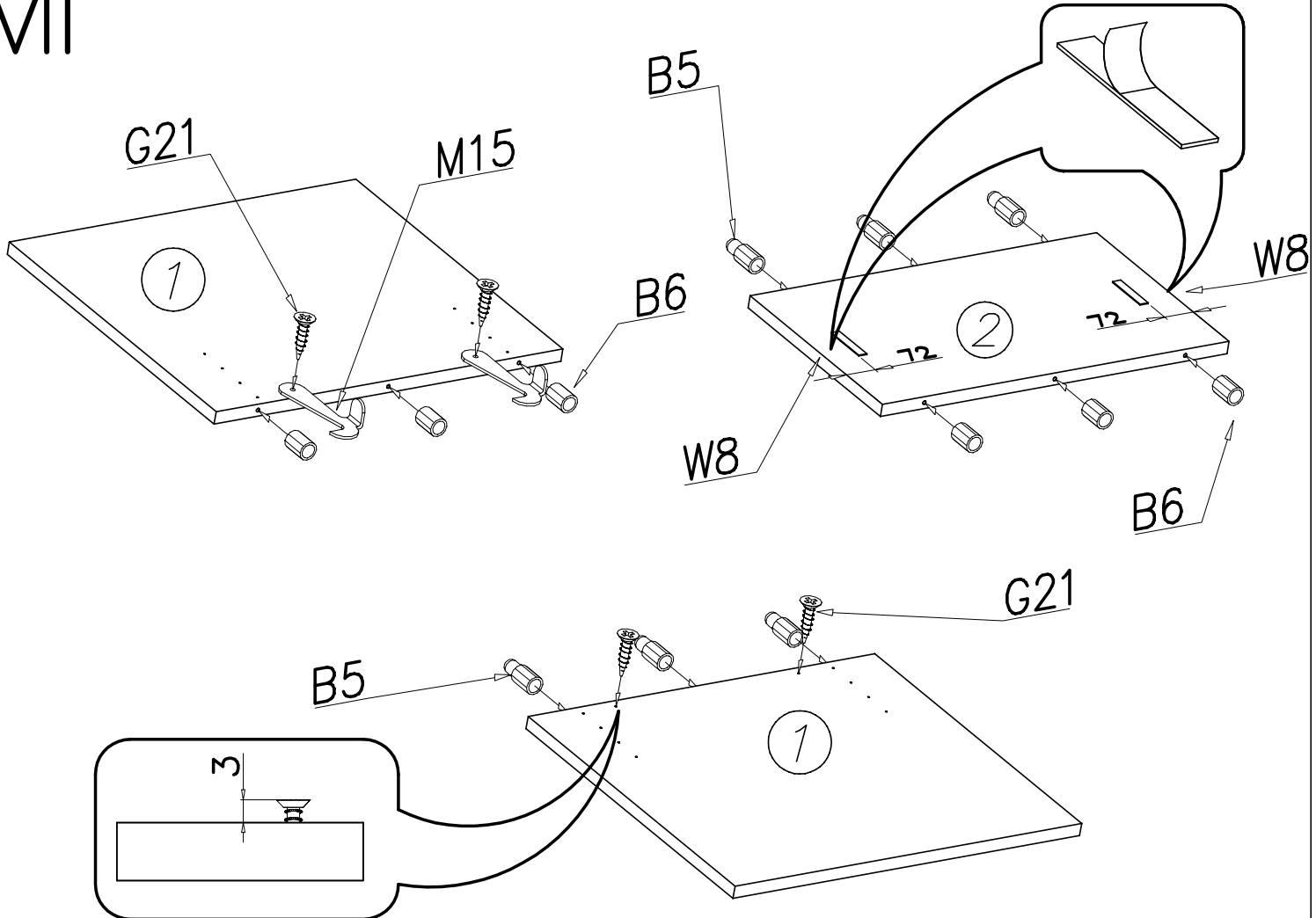


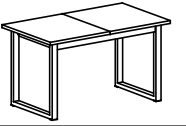


VI

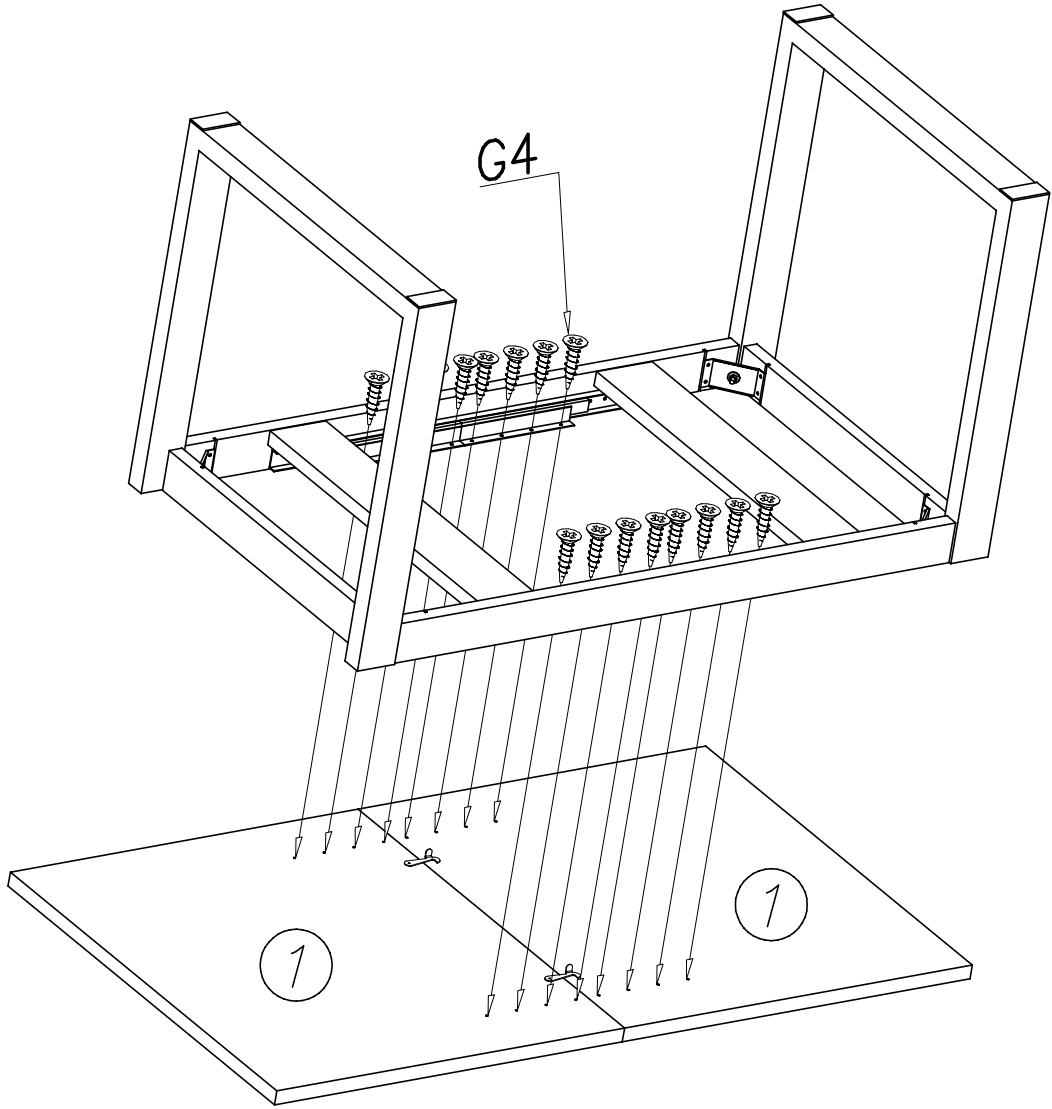


VII





VIII



IX

