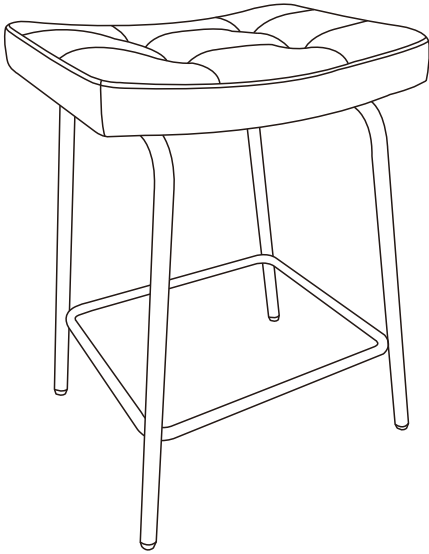

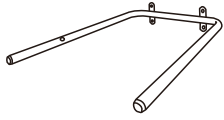
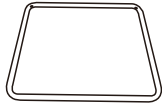
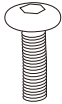
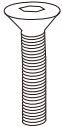



INSTRUCTION MANUAL

Upholstered Counter Stool



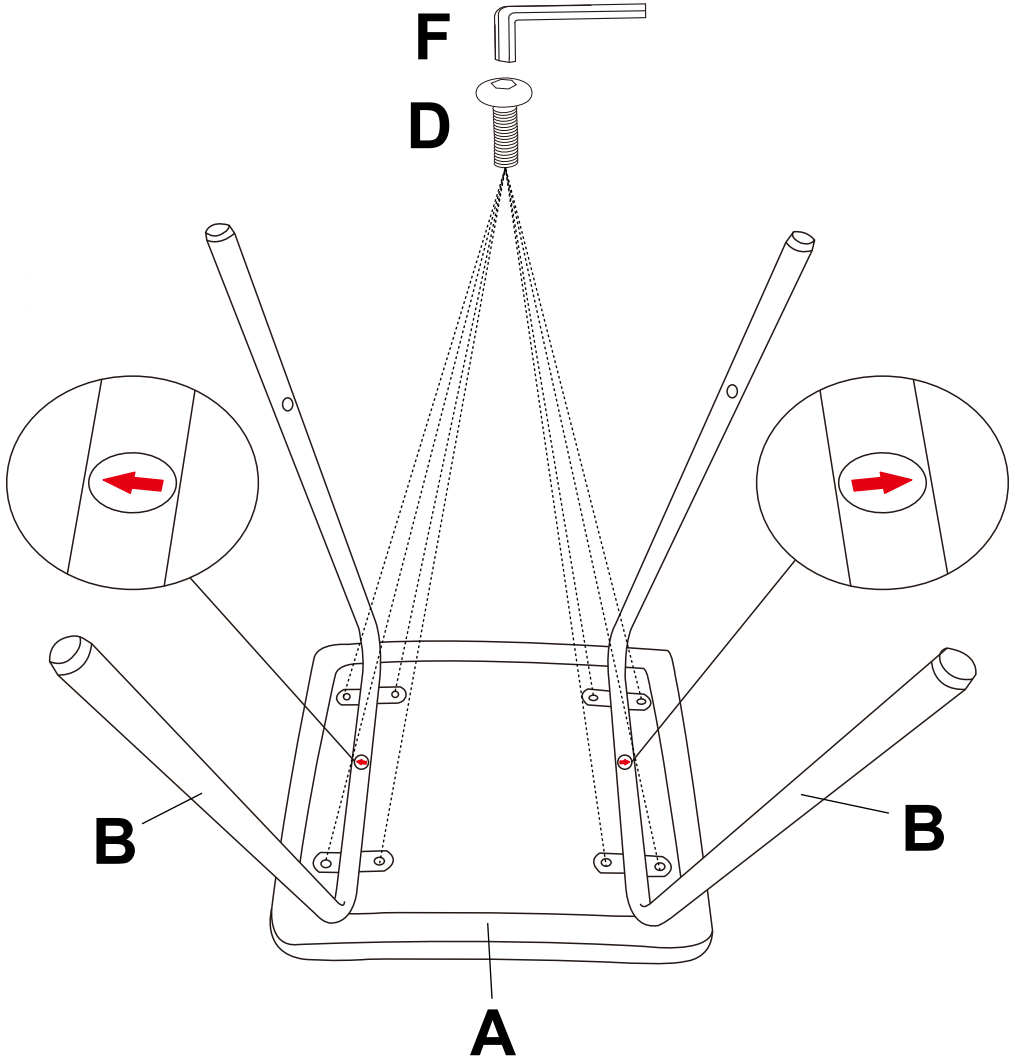
Package List

A x1 	B x2 	C x1 	D x8  M6*20mm
E x4  M6*30mm	F x1  M6		

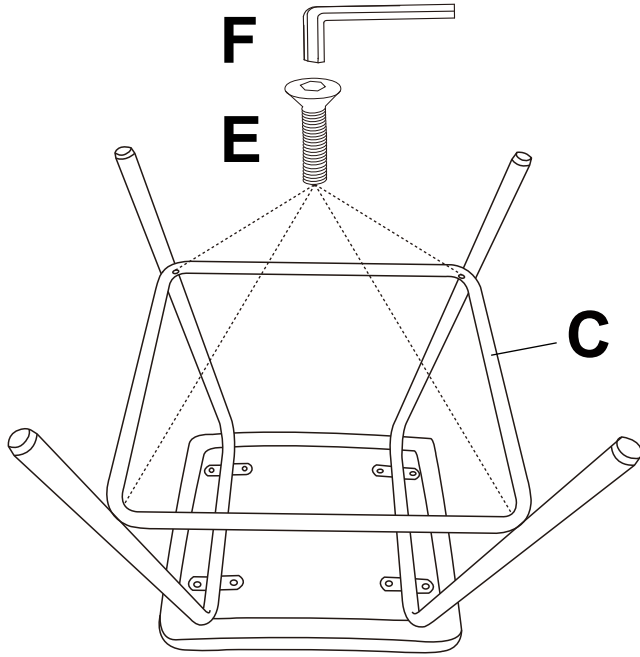
Caution

Before using the chair, check to ensure that all bolts are fully tightened.
Lubricate all parts and tighten all bolts every 6 months, or whenever needed.

1



2



3

