

Attention please :

**Improper use of screws may cause the product surface damage!
Please be careful when installing.**

To prevent you from confusing the accessories and boards, Please do not mix the parts of different units when you buy two or more products at the same time.

READ AND SAVE THIS INSTRUCTIONS FOR FUTURE USE

ASSEMBLY & INSTRUCTION MANUAL

SAFETY INSTRUCTIONS

Thank you for using this product. Please read all of the instructions before using it. The information will help you achieve the best possible results.

WARNING:

Please read this manual carefully before using the product. Failure to do so may result in serious injury.

ASSEMBLY PRECAUTIONS

1. Assemble needs to follow these instructions. Incorrect assembly can be a hazard.
2. Wear safety goggles and heavy-duty work gloves during assembly.
3. Do not assemble when tired or under the influence of alcohol, drugs or medication.
4. Weight capacity and other product capabilities only apply to a wholly and correctly assembled product.
5. Keep the assembly area clean and well-lit.
6. Keep bystanders out of the area during assembly.
7. The weight of plate is heavy; pay attention to the installation to avoid hurting it, and if necessary, find someone to assist with the installation.
8. Assembly should be done by adults only.
9. **WARNING:** This product contains small parts. If swallowed, it will pose a choking hazard. Keep these small parts away from children when assembling!
10. Before using the appliance for the first time, peel off any promotional materials and packaging materials.

ATTENTION!



WARNING! Keep children and pets away.

WARNING! Remove all packaging materials and keep them for future use. Packaging materials are not a toy.

WARNING! Don't let children play with the packaging materials. If they swallow the packaging materials, they will suffocate!

SAVE THESE INSTRUCTIONS

USE PRECAUTIONS

WARNING:TO PREVENT SERIOUS INJURY AND DEATH FROM TIPPING:

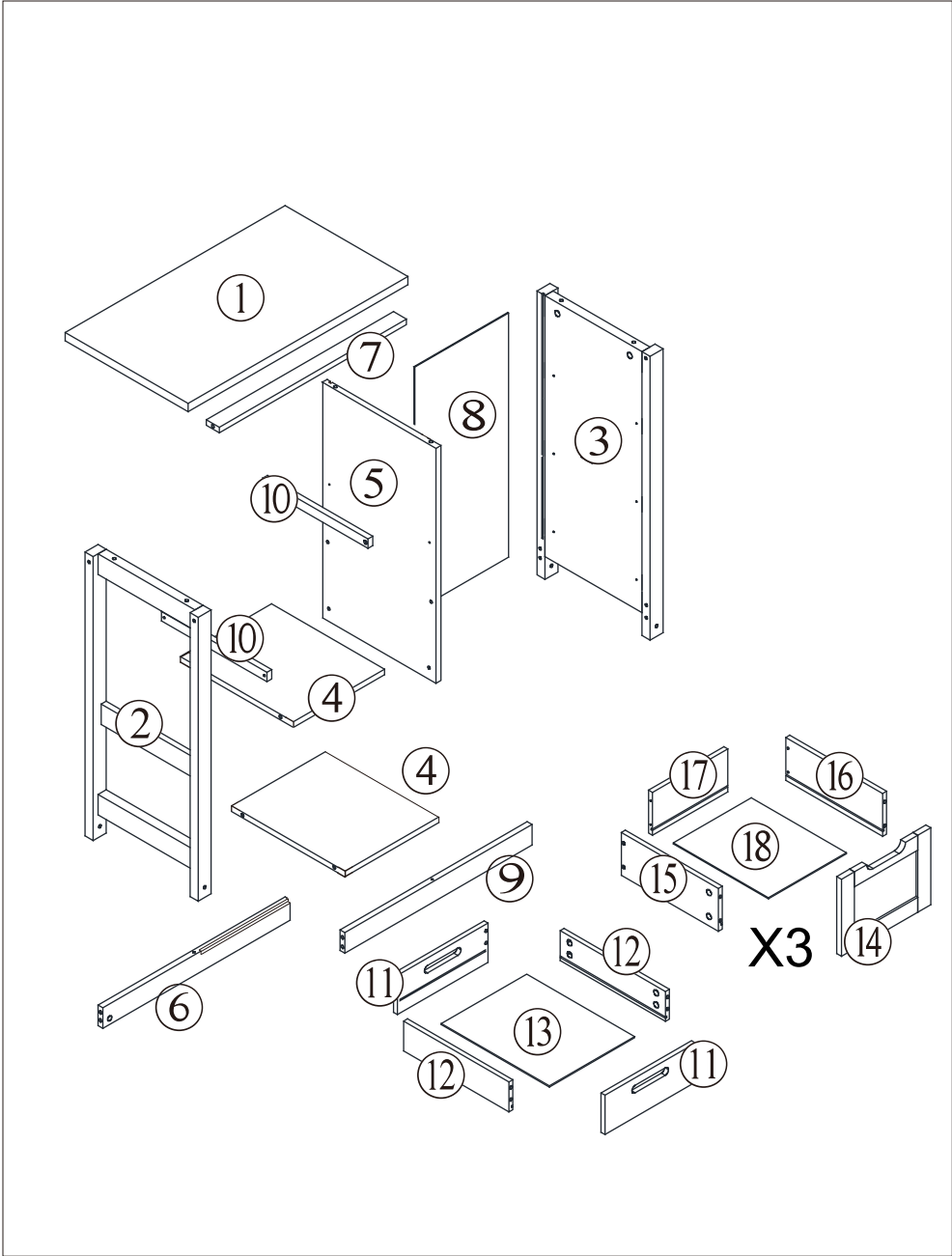
- 1.To avoid accidents or sharp edges injuries please assemble and use carefully.
2. Use as intended only. Do not sit or stand on the product.
3. Inspect before every use. Do not use it if parts are loose or damaged.
- 4.If any parts are missing, broken, damaged, or worn, stop using this item until repairs are made and replacement parts are installed.
- 5.Do not exceed the listed weight capacity. Tighten all knobs securely before applying load. Be aware of dynamic loading! The sudden load movement may briefly create an excess load, causing product failure.
- 6.Try not to be too heavy to avoid the weight in one place, causing the table to overturn.

WARNING:Do not let children play with this product, to avoid turning over the harm.

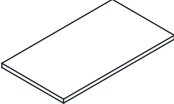
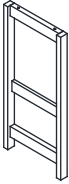

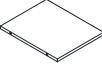

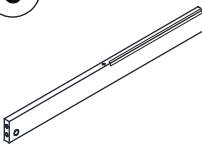
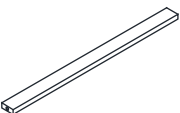

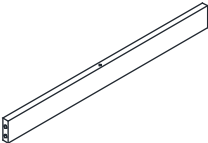
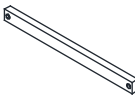
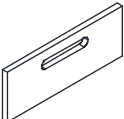
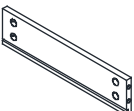
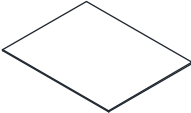
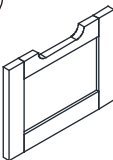
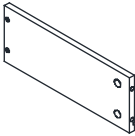
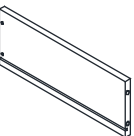
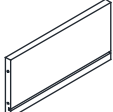

TIPS









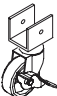
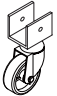
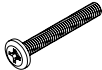








Assembling this cart will take approximately 3 hours, it is recommended that 2 people operate it.

Exploded Drawing



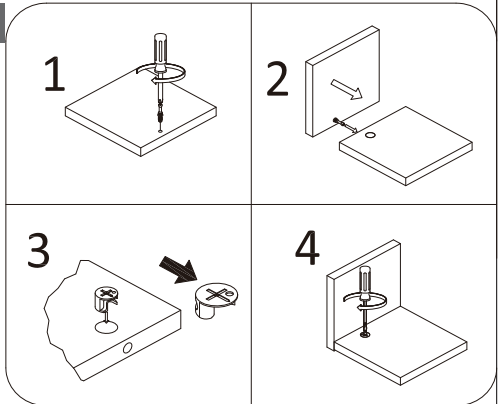
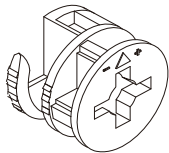
PARTS LIST

<p>1</p>  <p>1 PC</p>	<p>2</p>  <p>1 PC</p>	<p>3</p>  <p>1 PC</p>	<p>4</p>  <p>2 PCS</p>
<p>5</p>  <p>1 PC</p>	<p>6</p>  <p>1 PC</p>	<p>7</p>  <p>1 PC</p>	<p>8</p>  <p>1 PC</p>
<p>9</p>  <p>1 PC</p>	<p>10</p>  <p>2 PCS</p>	<p>11</p>  <p>2 PCS</p>	<p>12</p>  <p>2 PCS</p>
<p>13</p>  <p>1 PC</p>	<p>14</p>  <p>3 PCS</p>	<p>15</p>  <p>3 PCS</p>	<p>16</p>  <p>3 PCS</p>
<p>17</p>  <p>3 PCS</p>	<p>18</p>  <p>3 PCS</p>		

A M6*35  +2spare 34 PCS	B Ø15*10  +2spare 34 PCS	C Ø6*30  4 PCS	D M4*40  2 PCS	E M4*20  4 PCS	F M6*40  4 PC	G M3*12  +2spare 30 PCS	H M4*35  +2spare 12 PCS
I  2 PCS	J  2 PCS	K M6*60  6PCS	L  6PCS	CL  3 PCS	CR  3 PCS	DL  3 PCS	DR  3 PCS
M  4 PCS	N  4 PCS	O M3*14  4 PCS					





Cam Lock Fastening System

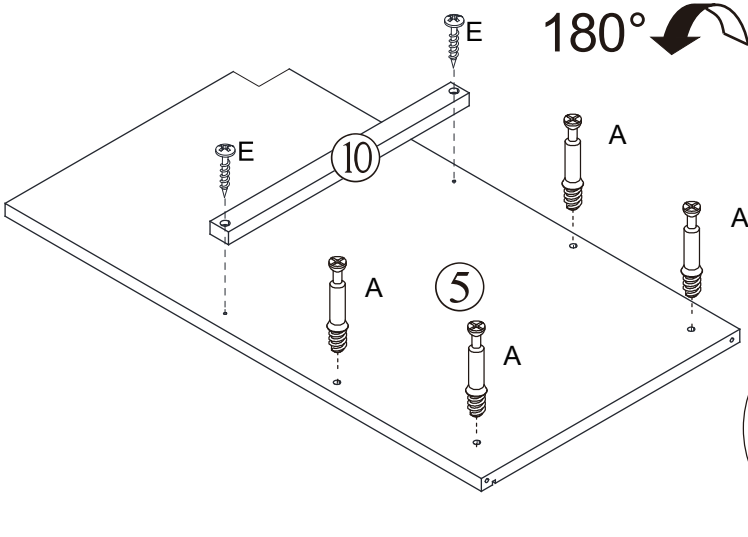
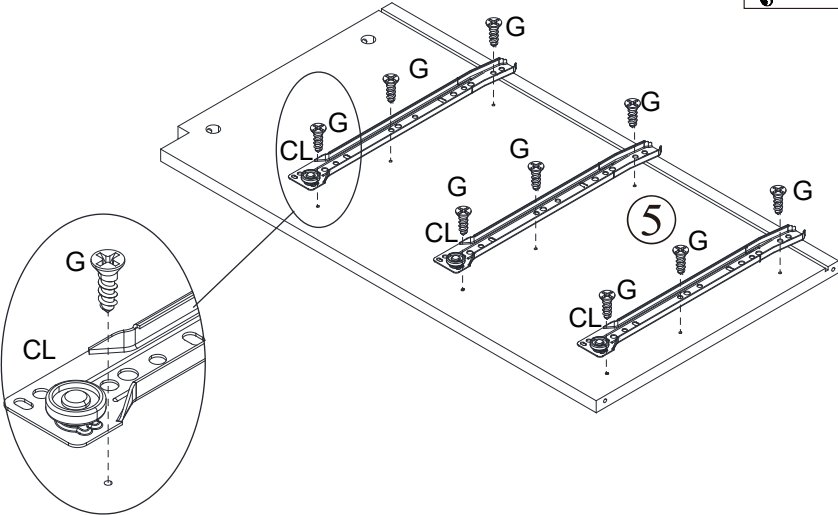
This Cam Lock Fastening System will be used throughout the assembly process



ASSEMBLY STEPS

1

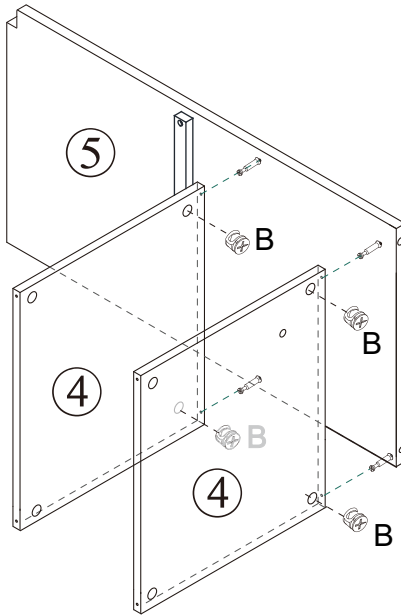
 M3*12	Gx9
 M4*20	Ex2
	CLx3
	Ax4



2



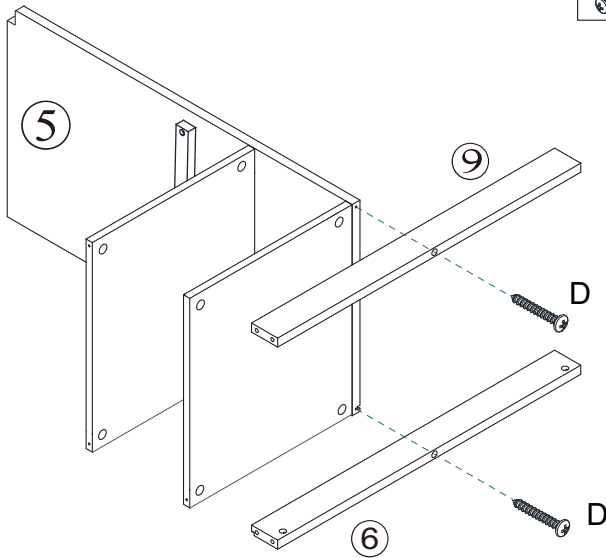
Bx4



3

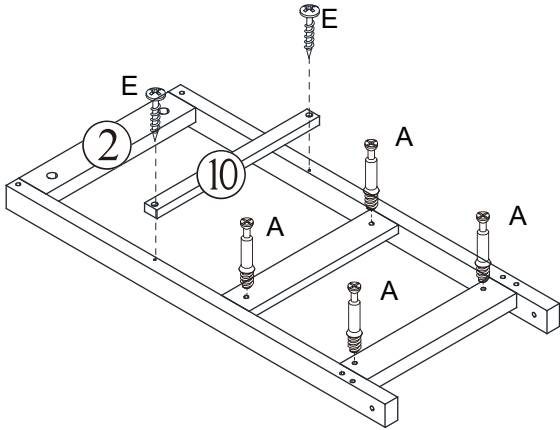


Dx2



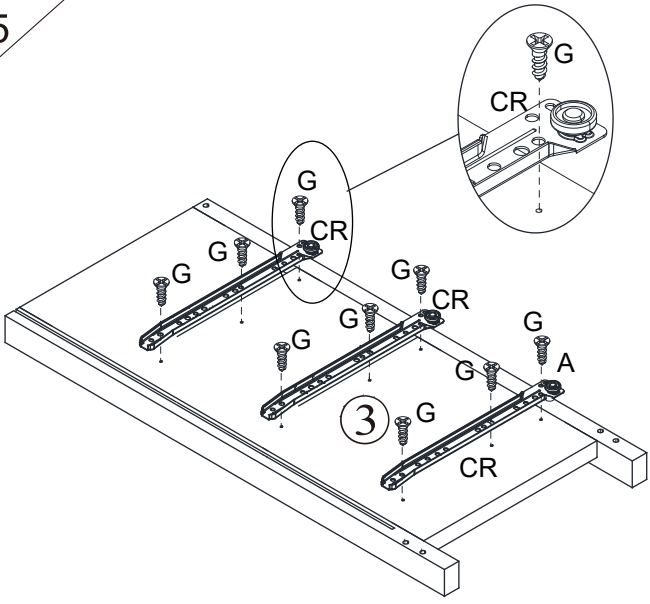
4

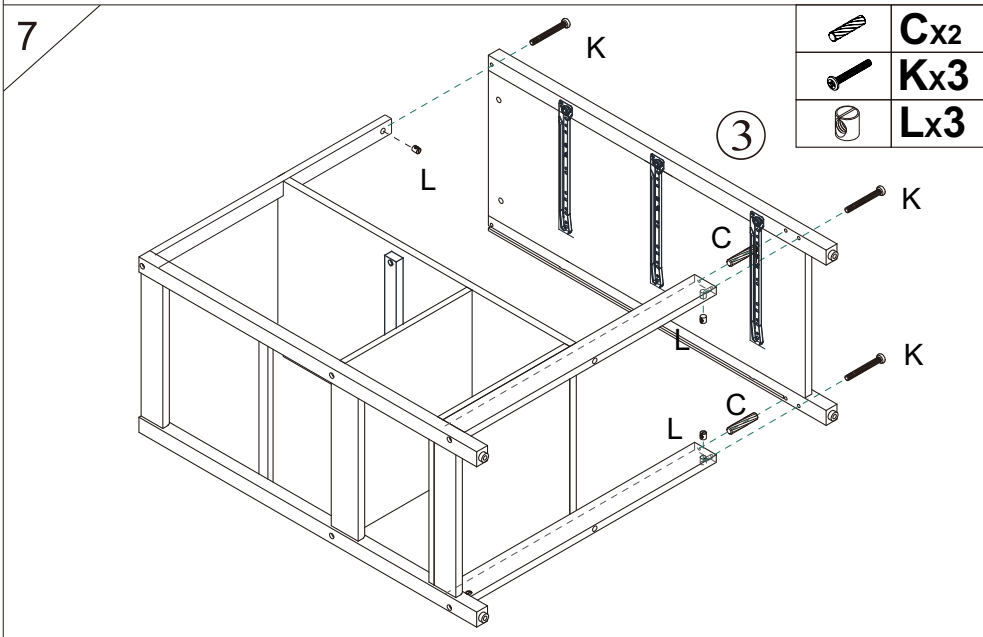
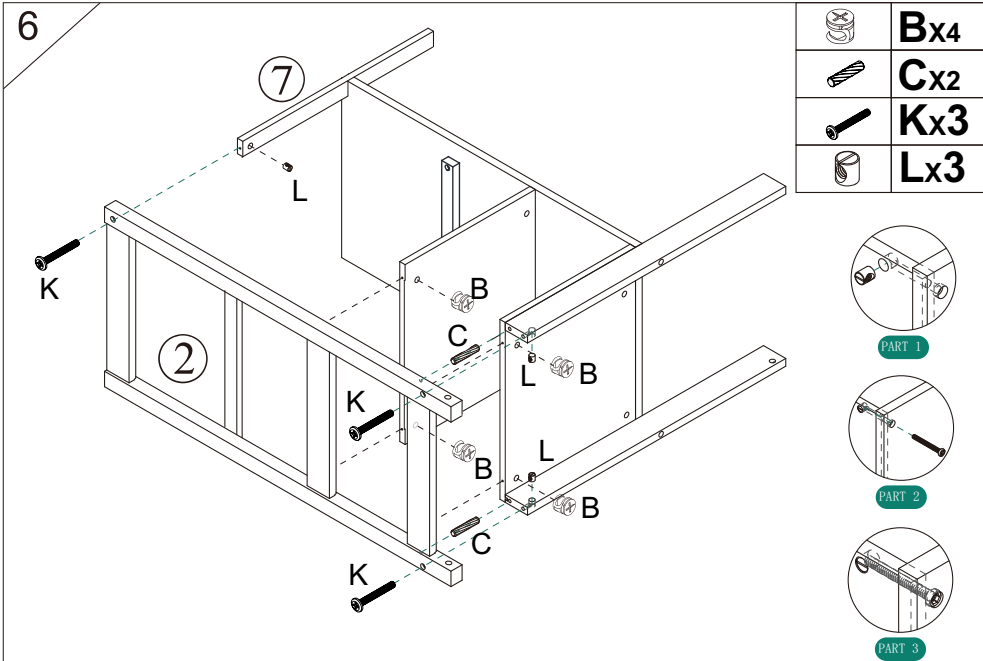
 M4*20	Ex2
	Ax4



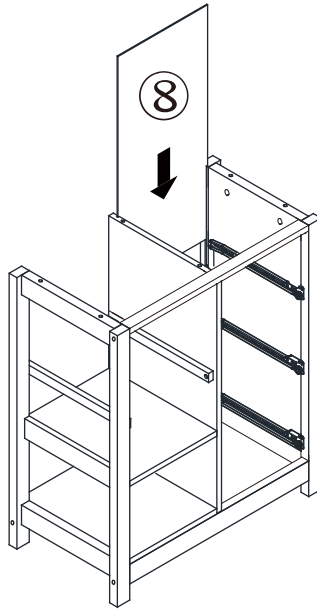
5

	CRx3
 M3*12	Gx9





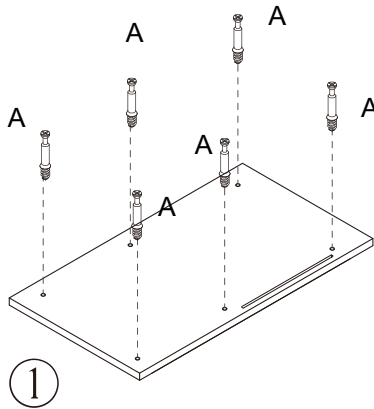
8



9

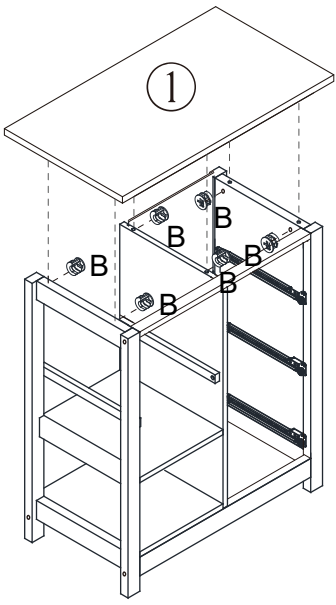


Ax6







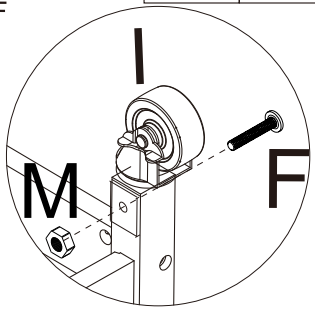
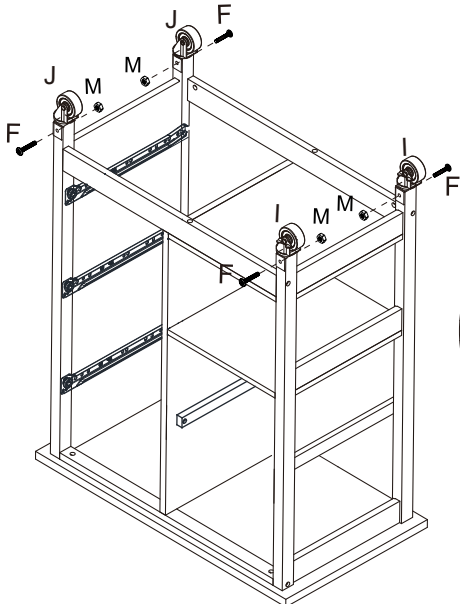
10

 **Bx6**






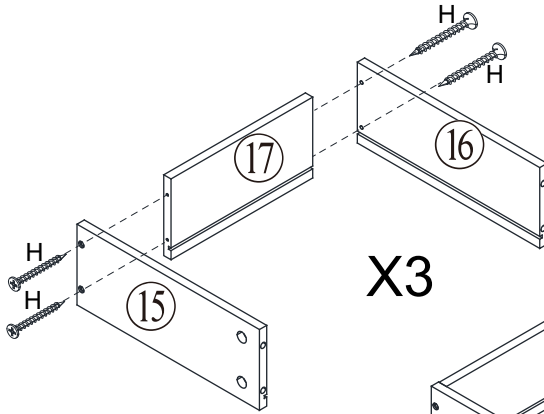
11

	Ix2
	Jx2
	Fx4
	Mx4

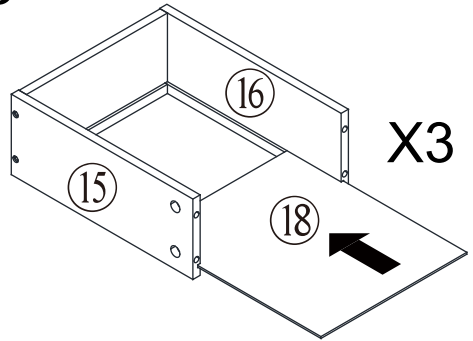


12

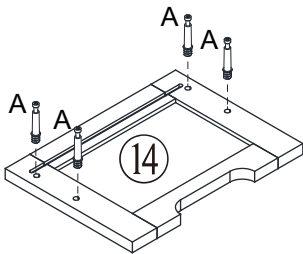
	A_{X12}
	B_{X12}
	H_{X12}



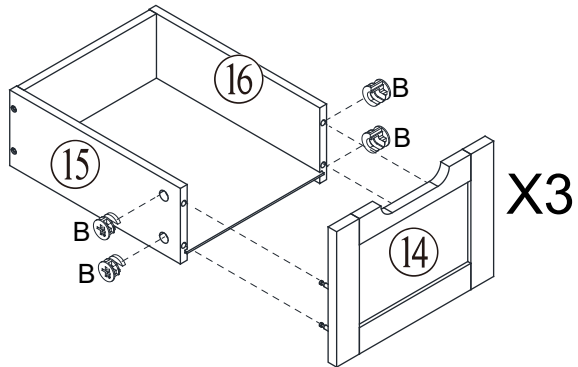
X3



X3



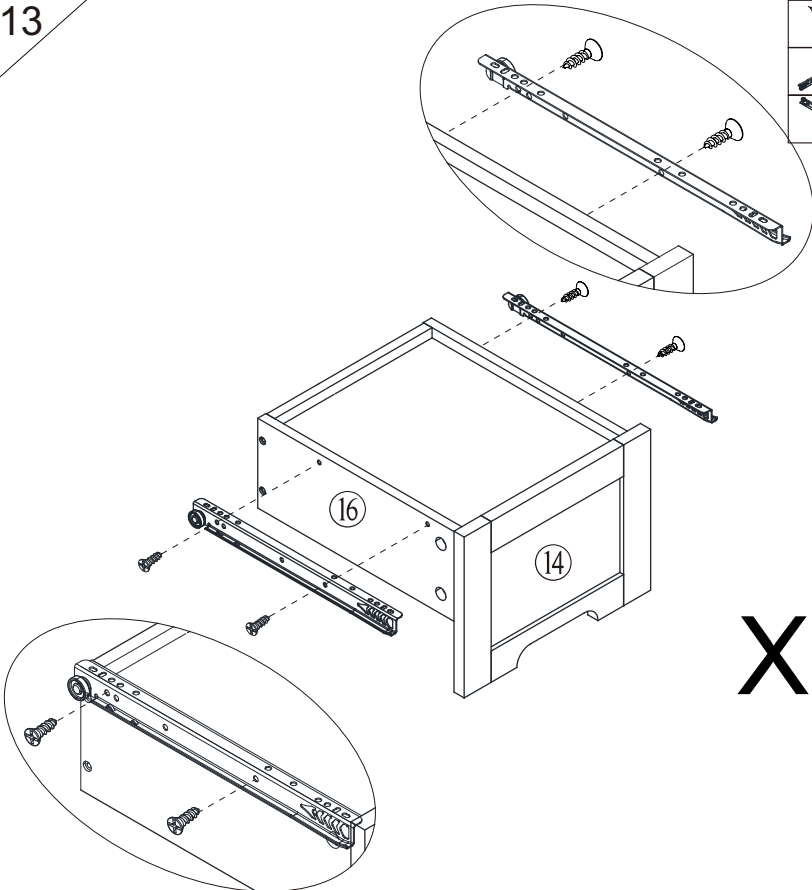
X3



X3

13

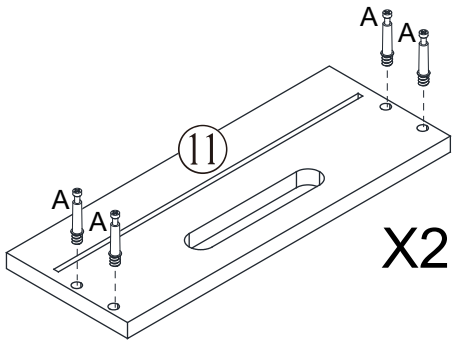
	Gx12
	DLx3
	DRx3



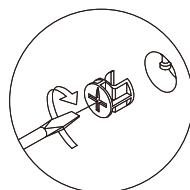
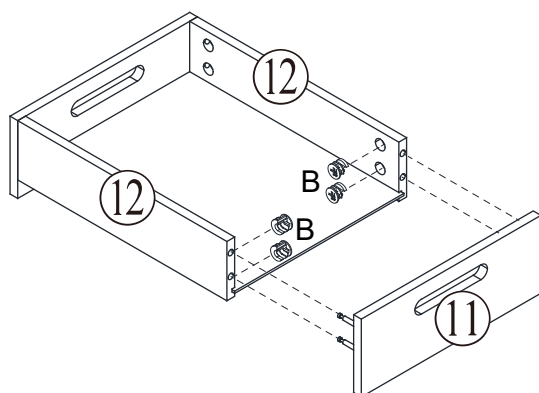
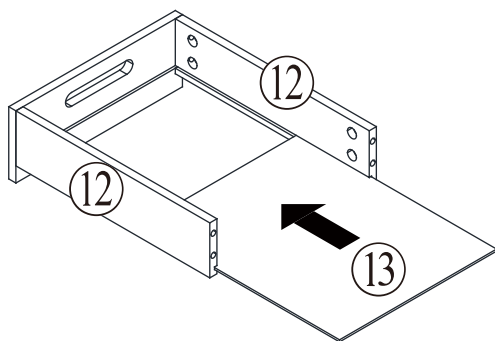
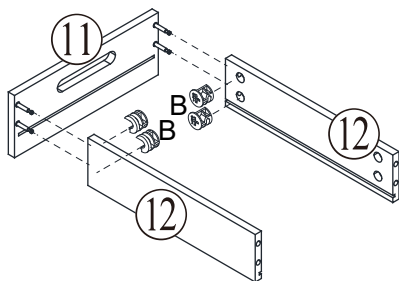
X3

14

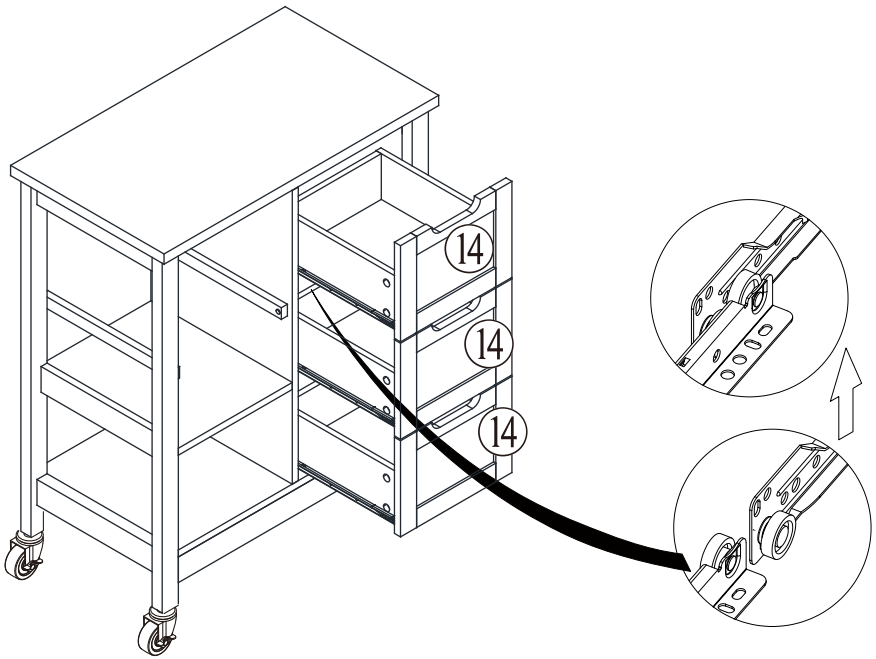
	Ax8
---	------------



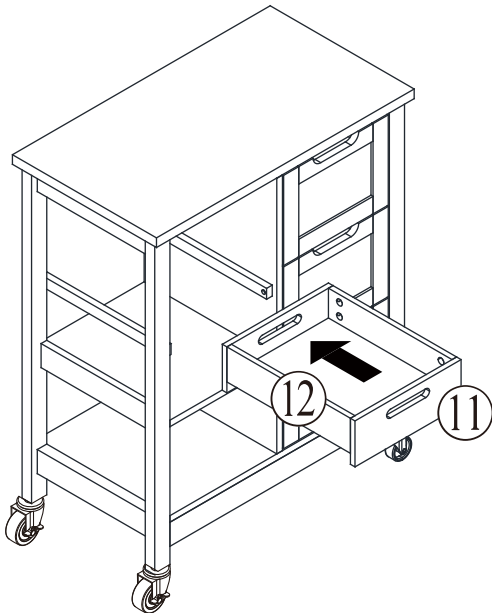
X2

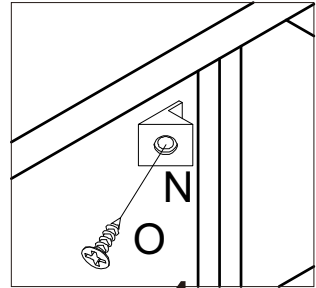
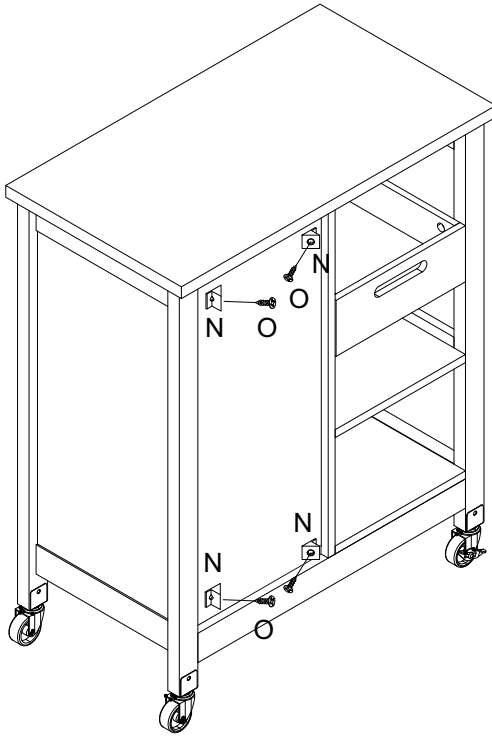


16



17



**Nx4****Ox4****x4**