



Project: _____

Location: _____

Fixture Type: _____

Catalog Number: _____

AVAILABLE FINISHES:



Double Bubble

PD-82006

PRODUCT DESCRIPTION

A minimalist take on a crystal ball. Two geometrically concentric spheres are laser-etched within K9 optically perfect crystal. When illuminated with the latest in LED technology the double bubble within is a curious diffuse floating light.

FEATURES

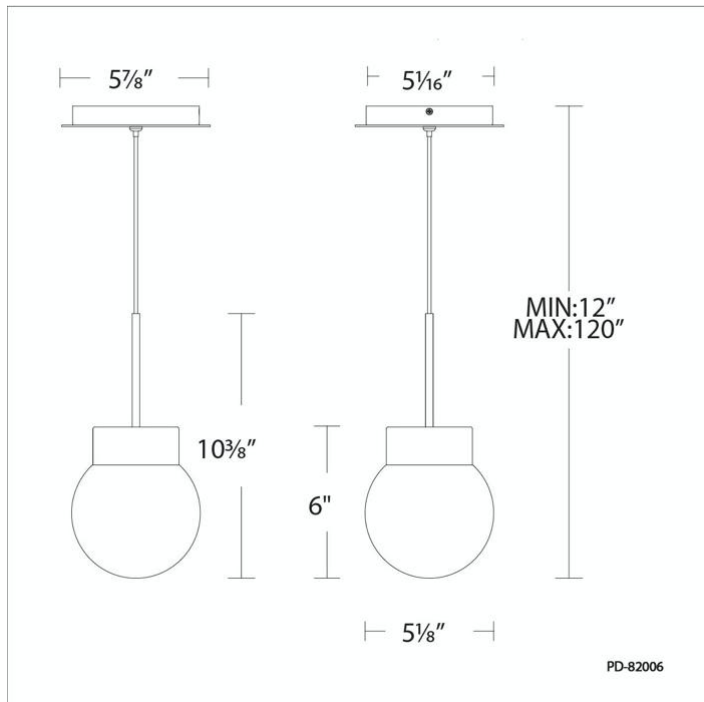
- Light is evenly diffused through laser etched crystal ball
- Can be mounted on a sloped ceiling
- Thin powered aircraft cables provide an ultra clean look for adjustable suspension height
- Title 24 option available (special order) with driver concealed within canopy

SPECIFICATIONS

Rated Life	50000 Hours
Standards	ETL, cETL, Damp Location Listed
Input	120-277V, 50/60Hz
Driver Dimension	2.8" x 1.3" x 1.2"
Dimming	ELV
Color Temp	3000K
CRI	90
Construction	Steel body with laser etched crystal shade

REPLACEMENT PARTS

RPL-GLA-68809 - Replacement Glass



Model & Size	Color Temp	Finish	LED Watts	LED Lumens	Delivered Lumens
PD-82006 6"	3000K	AB Aged Brass	7.5W	635	610
	3000K	BK Black	7.5W	635	610
	3000K	SN Satin Nickel	7.5W	635	610

Example: **PD-82006-SN**

•For Title 24 option add a "T24" before the finish: PD-82006-T24-AB

For custom requests please contact customs@modernforms.com