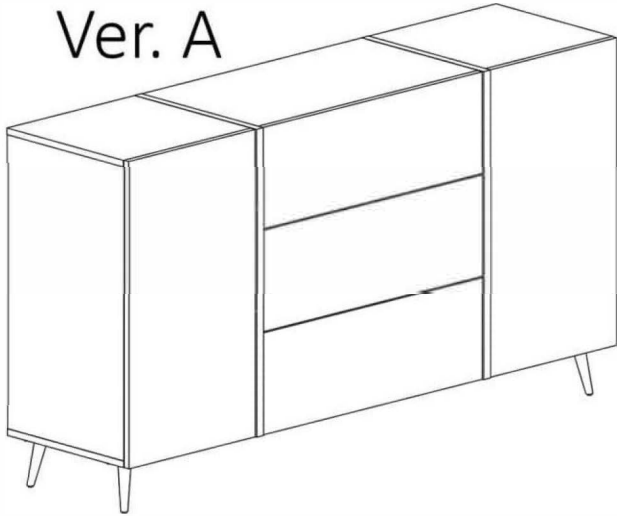
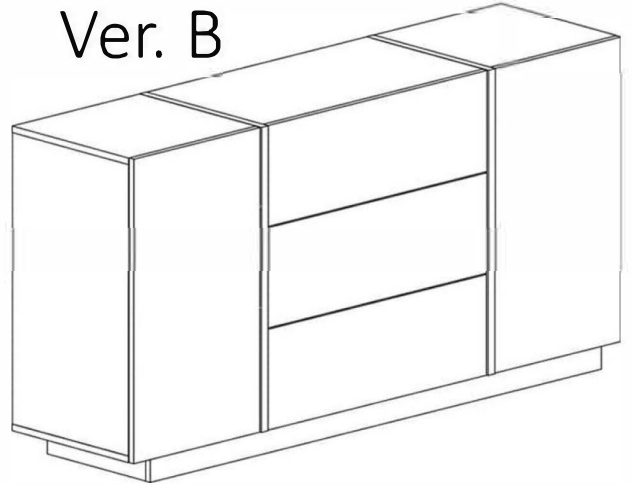


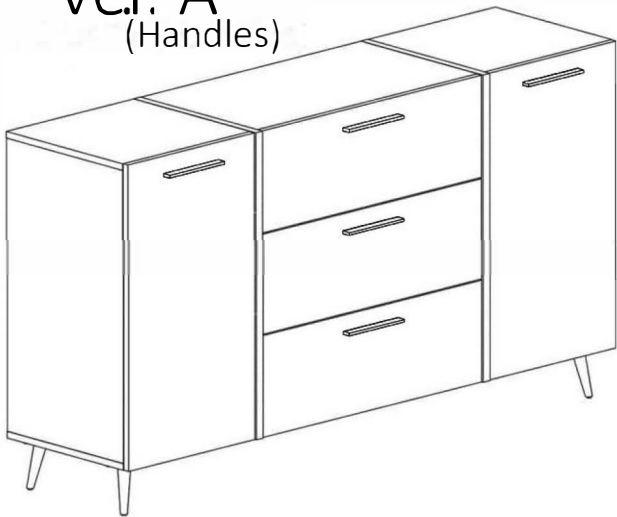
Ver. A



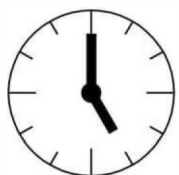
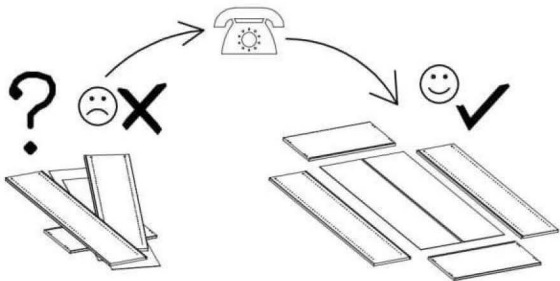
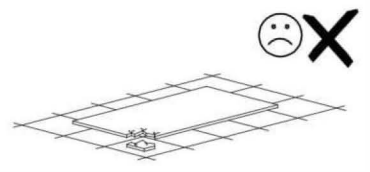
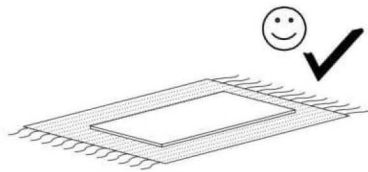
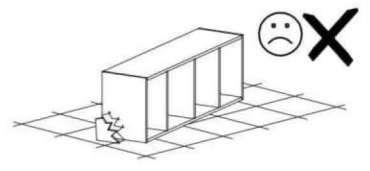
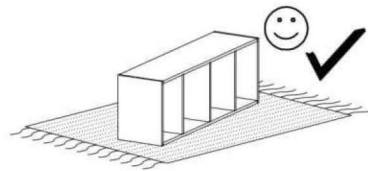
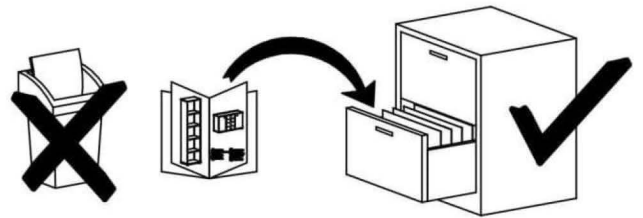
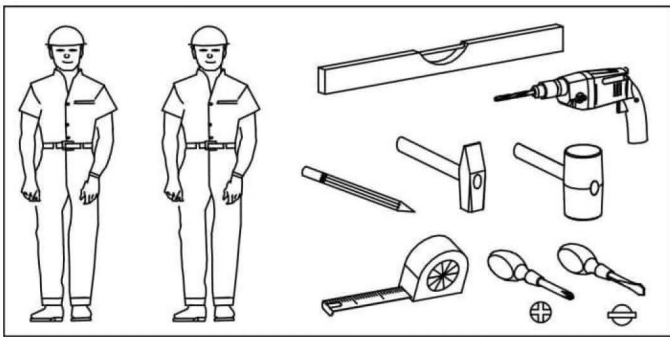
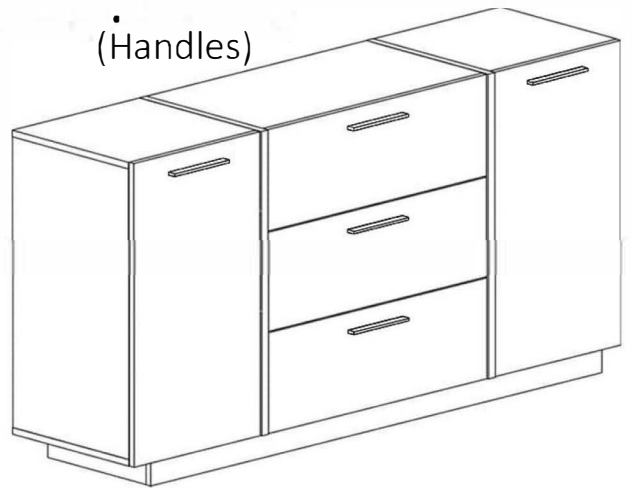
Ver. B



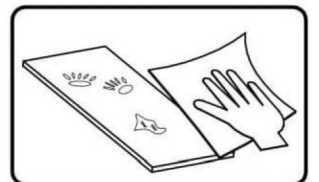
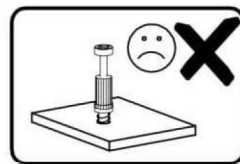
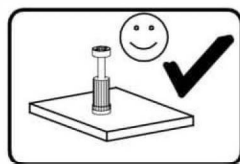
Ver. A
(Handles)



Ver. B
(Handles)



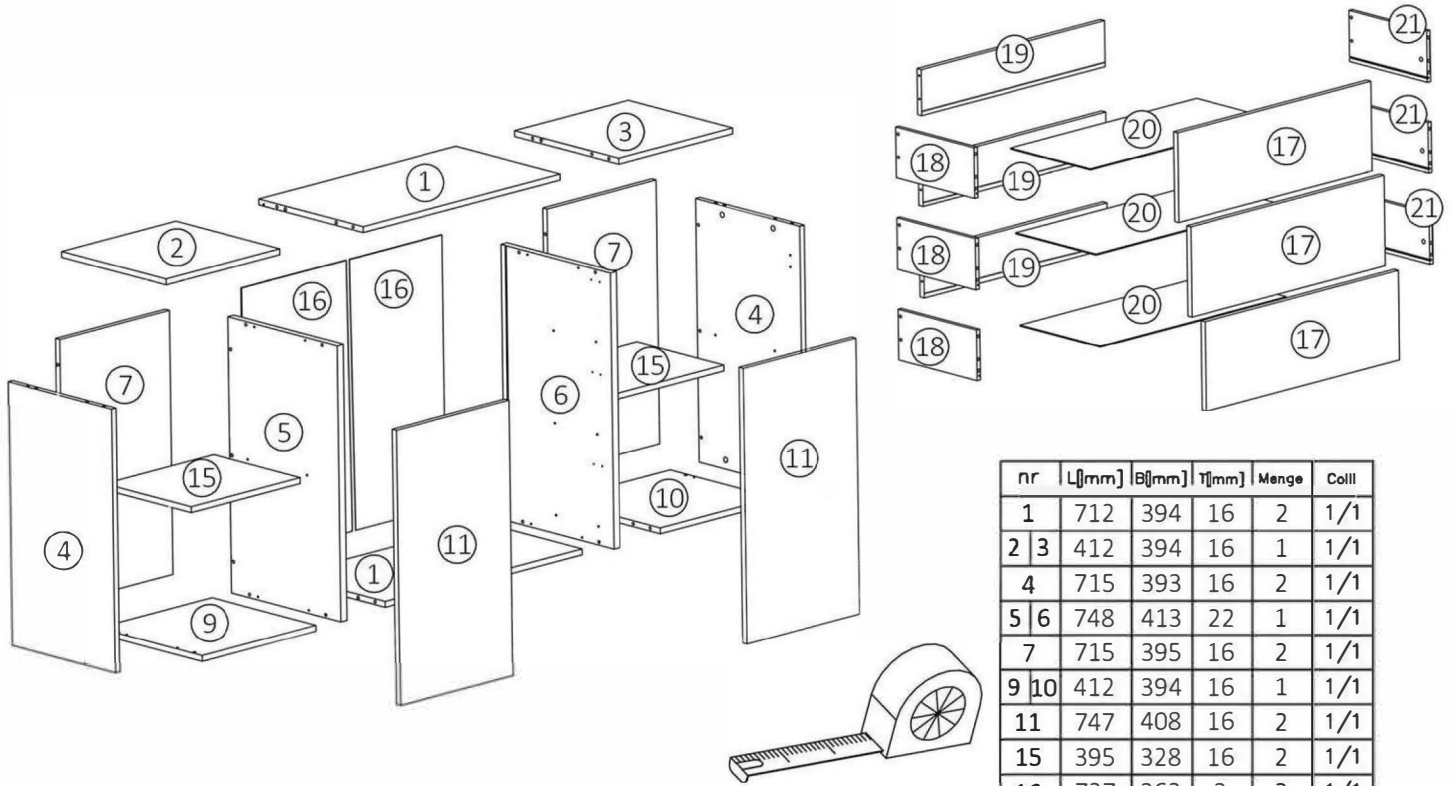
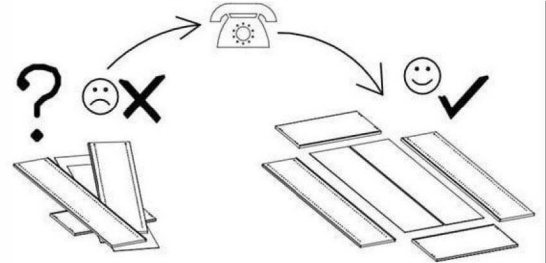
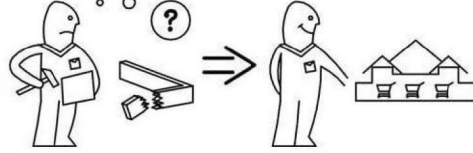
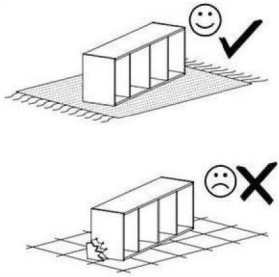
1,5h



Name • Nom • Nome • Naam • Nazwa • Имяно
• Νόζον • Név • Denumire • Isim • Извание

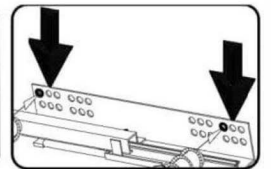
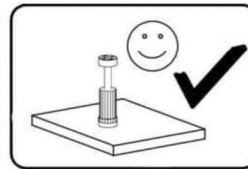
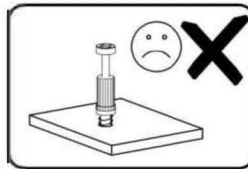
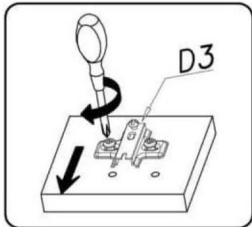
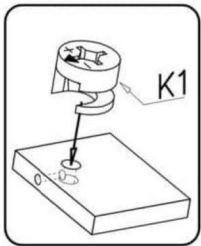
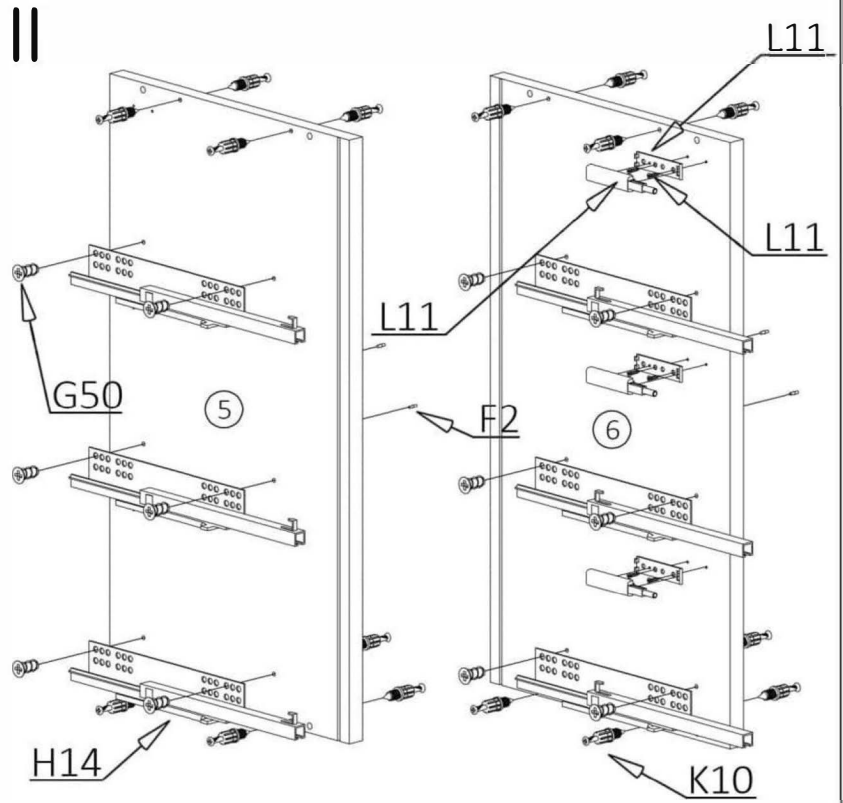
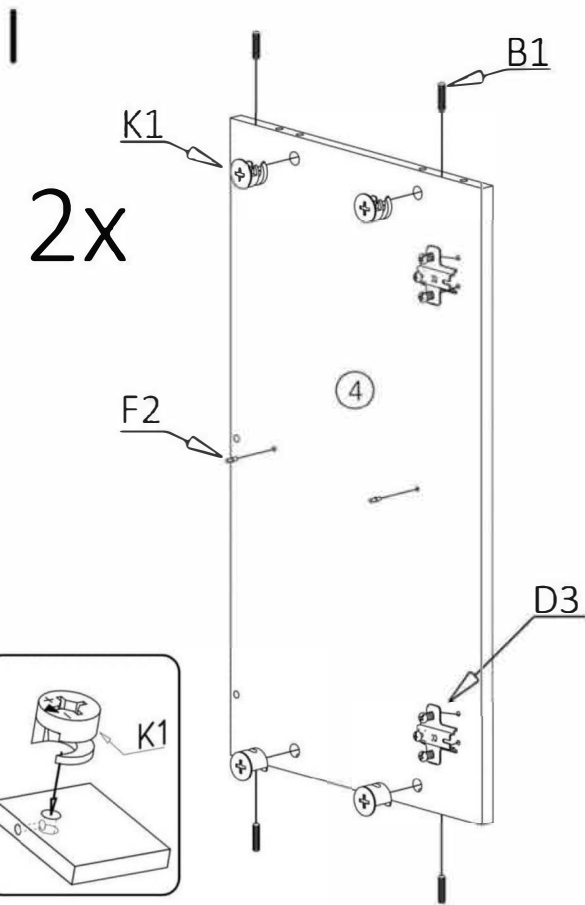
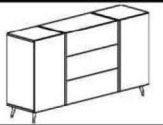
Nr • No • N° • Номер • Č • Sz

Typ • Type • Tip • Тіpus • Тіpo • Tun

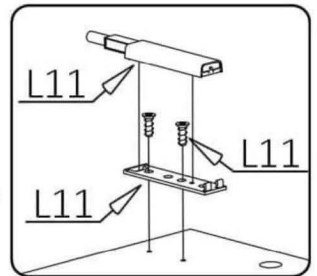
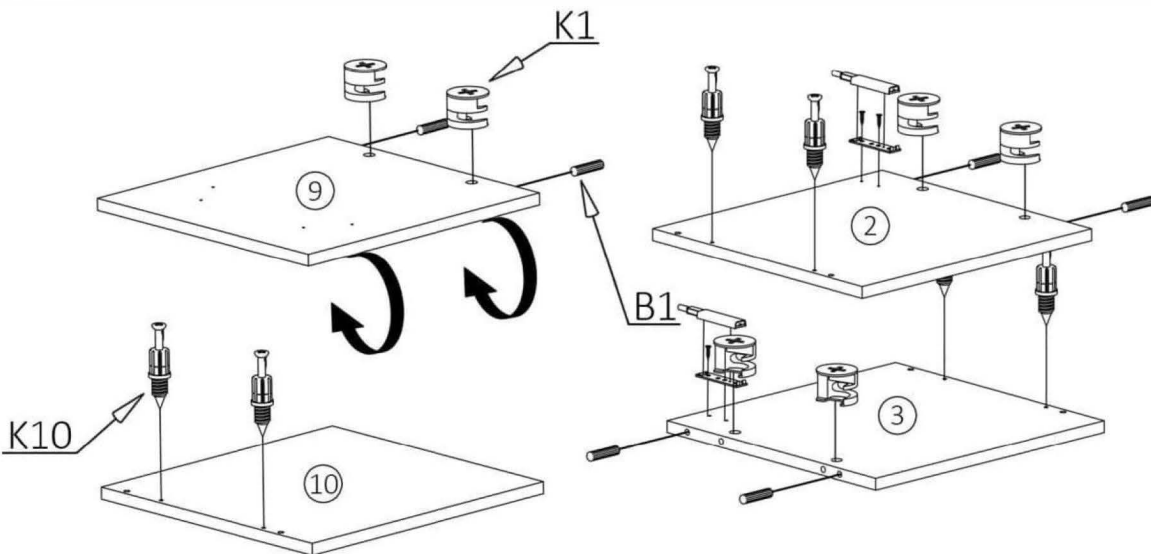


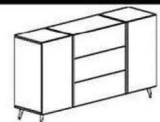
nr	L[mm]	B[mm]	T[mm]	Menge	Coll
1	712	394	16	2	1/1
2	3	412	394	16	1
4	715	393	16	2	1/1
5	6	748	413	22	1
7	715	395	16	2	1/1
9	10	412	394	16	1
11	747	408	16	2	1/1
15	395	328	16	2	1/1
16	727	362	3	2	1/1
17	708	247	16	3	1/1
18	300	140	12	3	1/1
19	672	126	16	3	1/1
20	682	307	3	3	1/1
21	300	140	12	3	1/1

P19 Ver. A x...(2)	G4 Ver. A 4x16 x...(16)	G8 Uchwyty (Handles) 4x30 x...(10)		
H14 300mm x...(3)	F2 x...(8)	M11 x...(1)		
S1 714mm x...(1)	G50 6x13 x...(12)	L11 x...(8)	B1 ø8x35 x...(48)	
A6 ø7x40 x...(12)	G34 3,5x16 x...(48)	K4 ø12x10 x...(6)	I1 x...(16)	C3 Z35PR x...(4)
K10 x...(30)	I7 x...(24)	K1 ø15x12 x...(24)	M13 x...(3)	D3 PZ35PR x...(4)

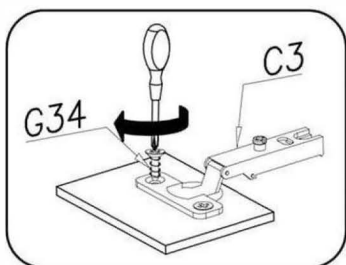
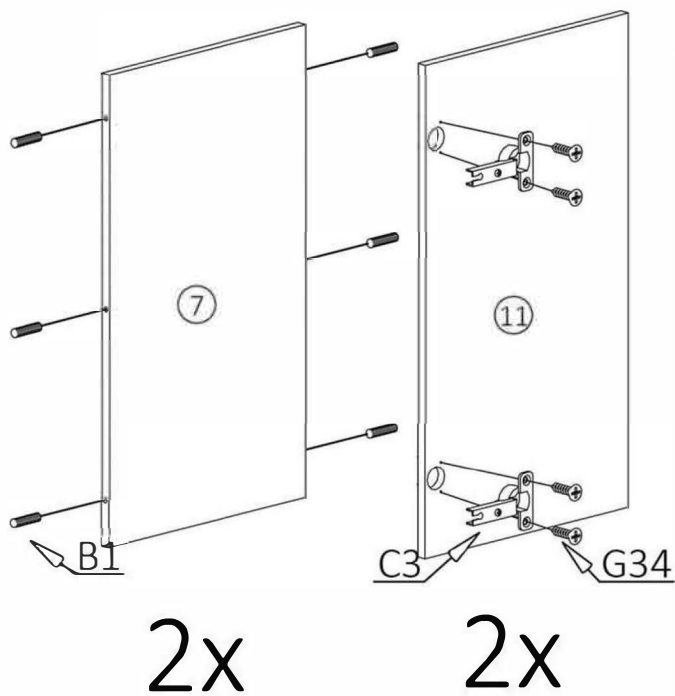


III

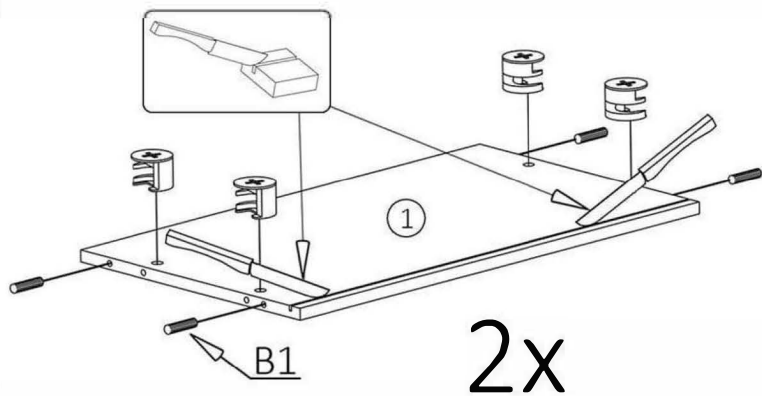




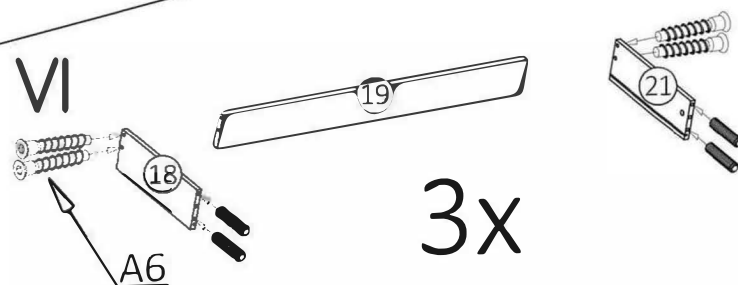
IV



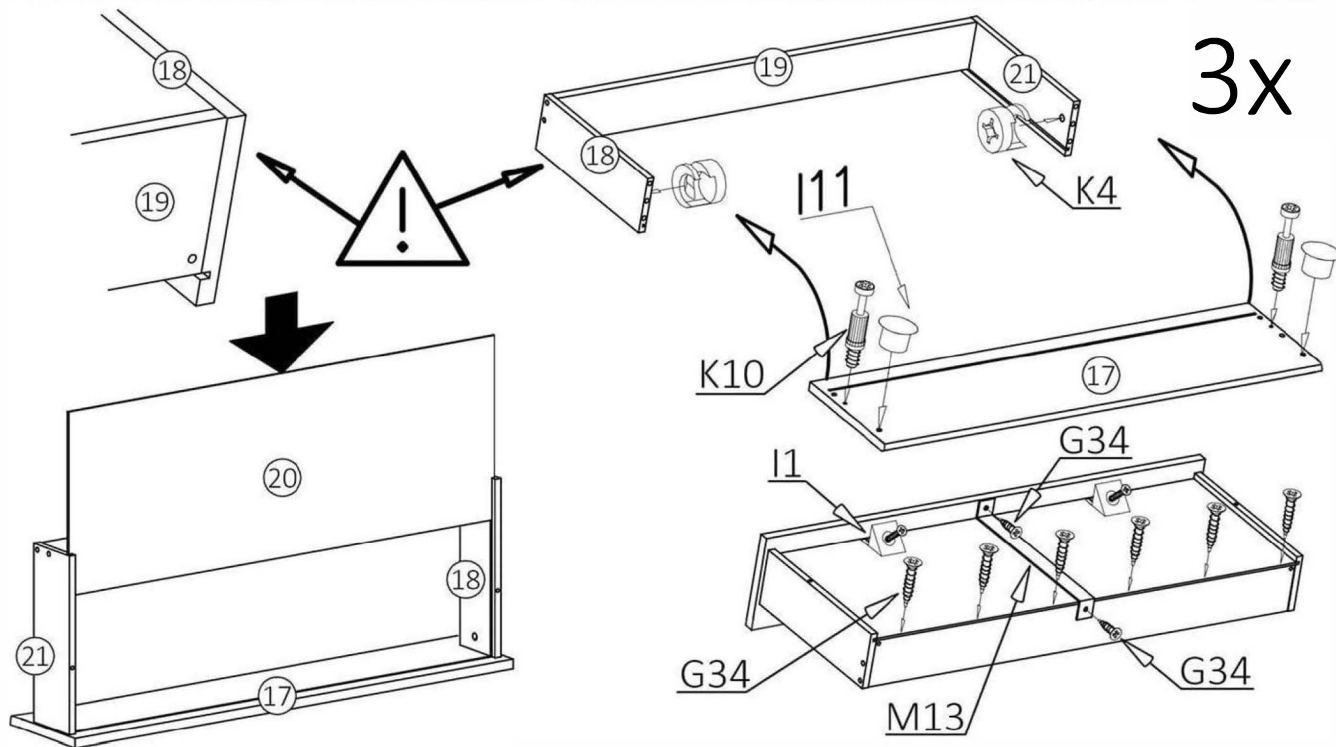
V

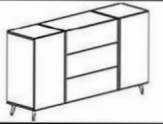


VI

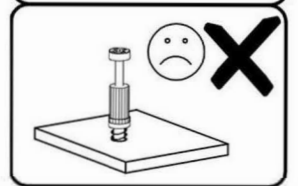
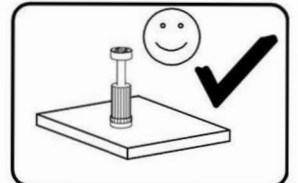
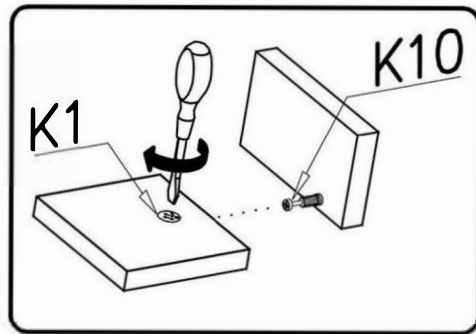
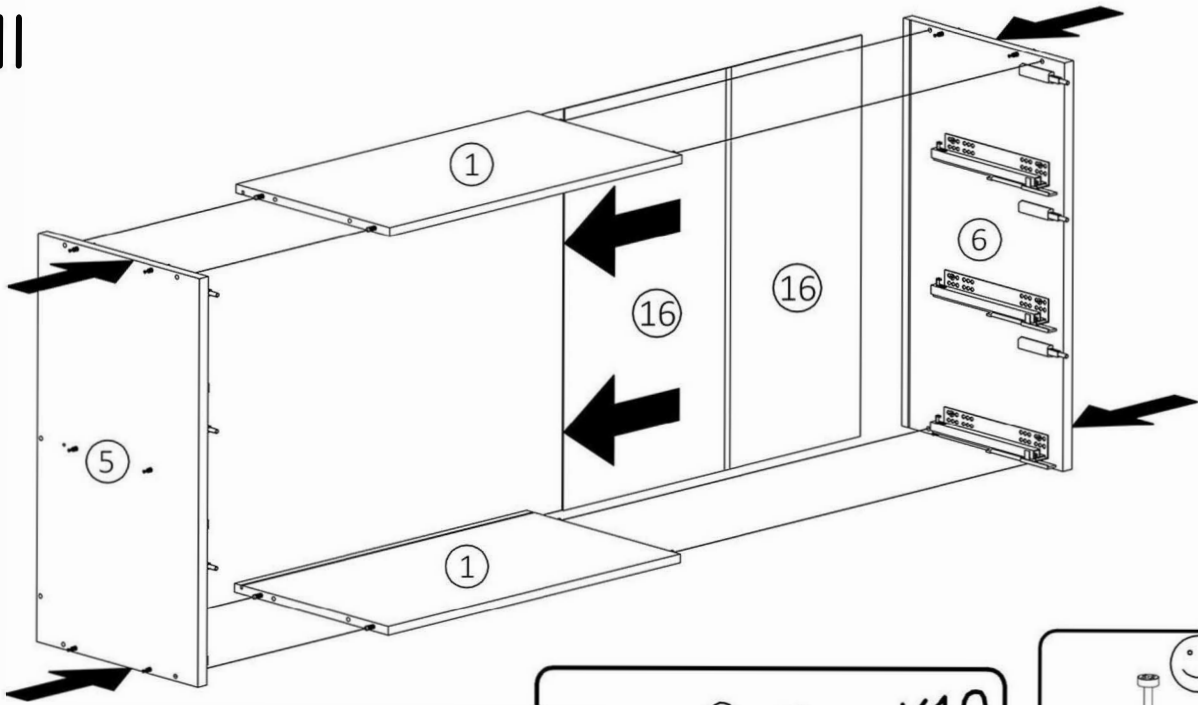


VII

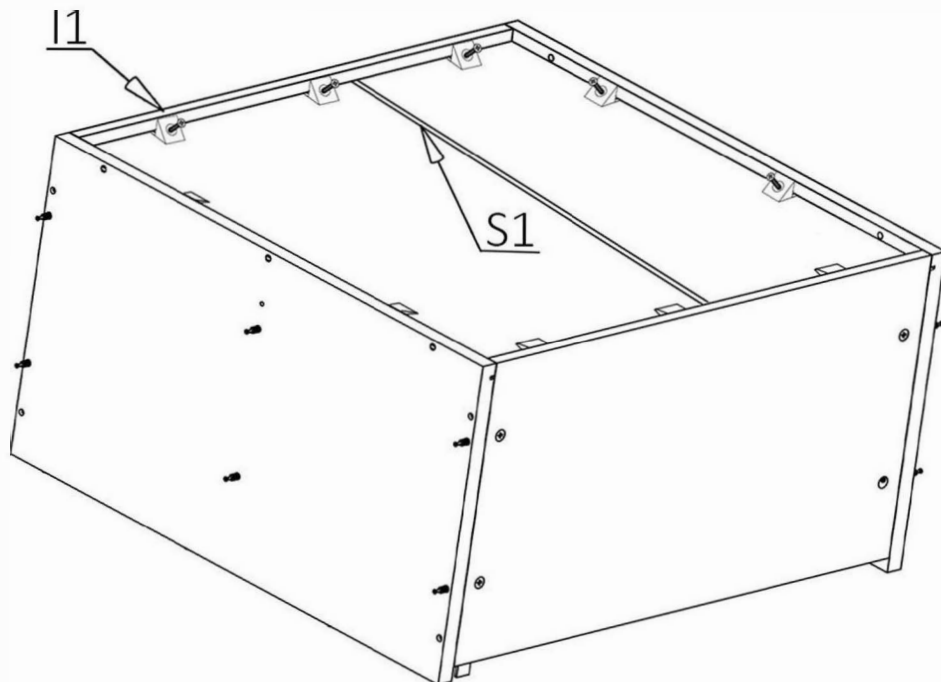


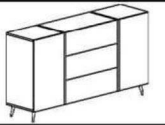


VIII

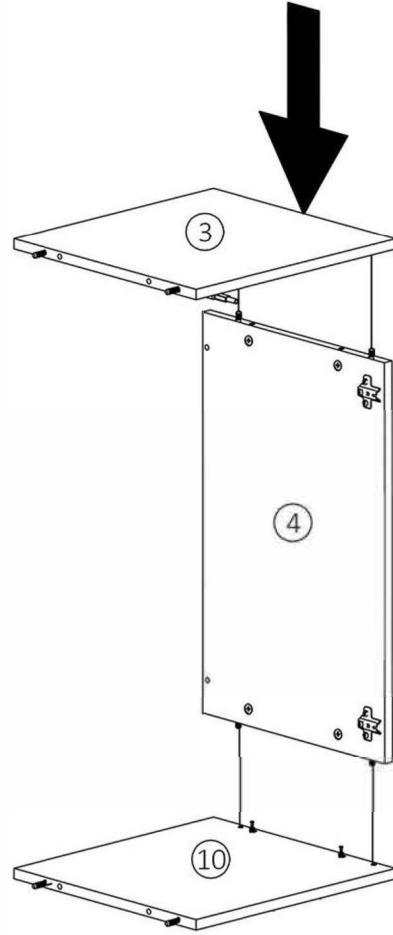
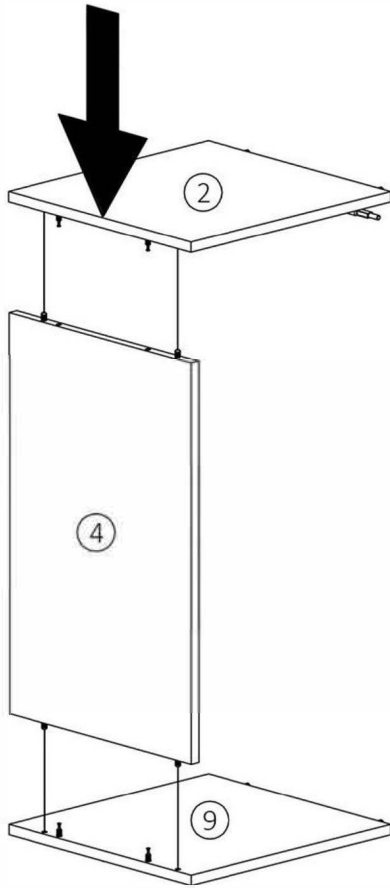


IX

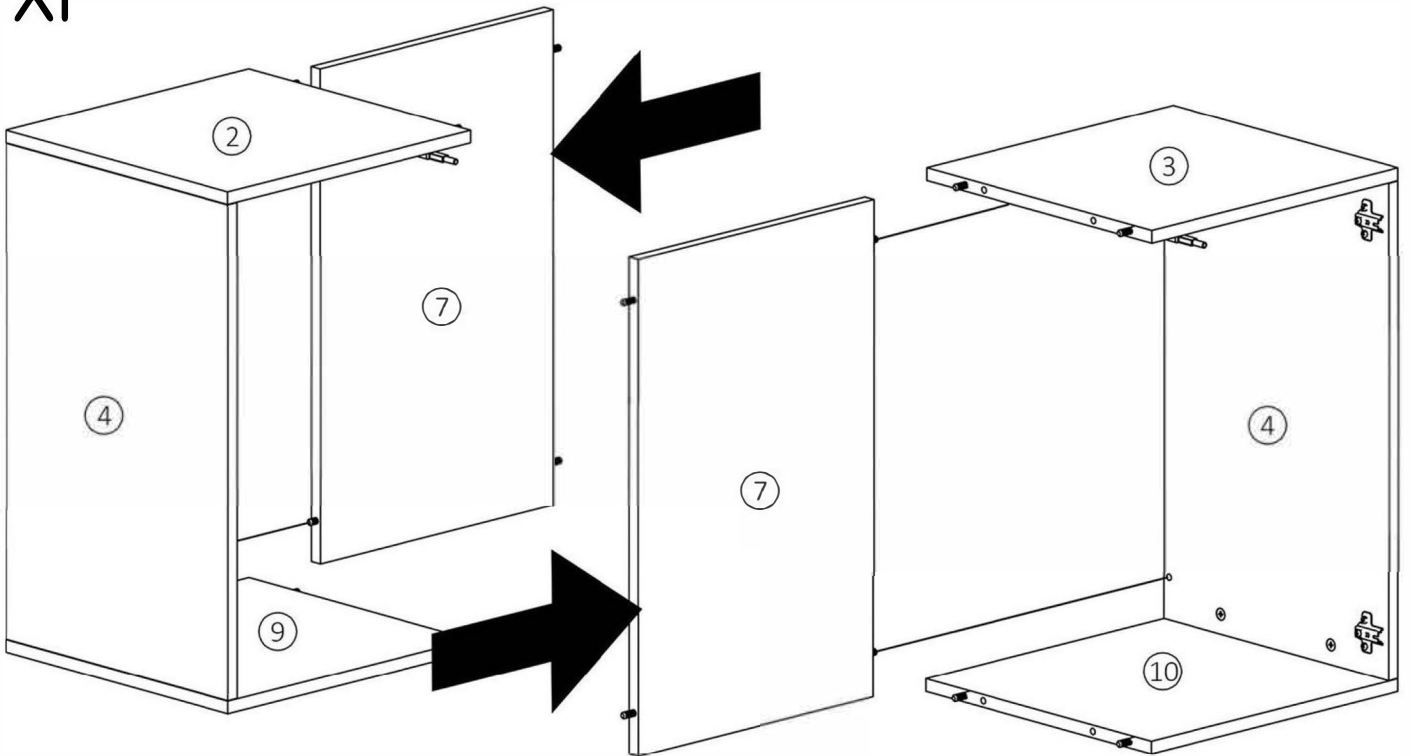


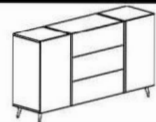


X

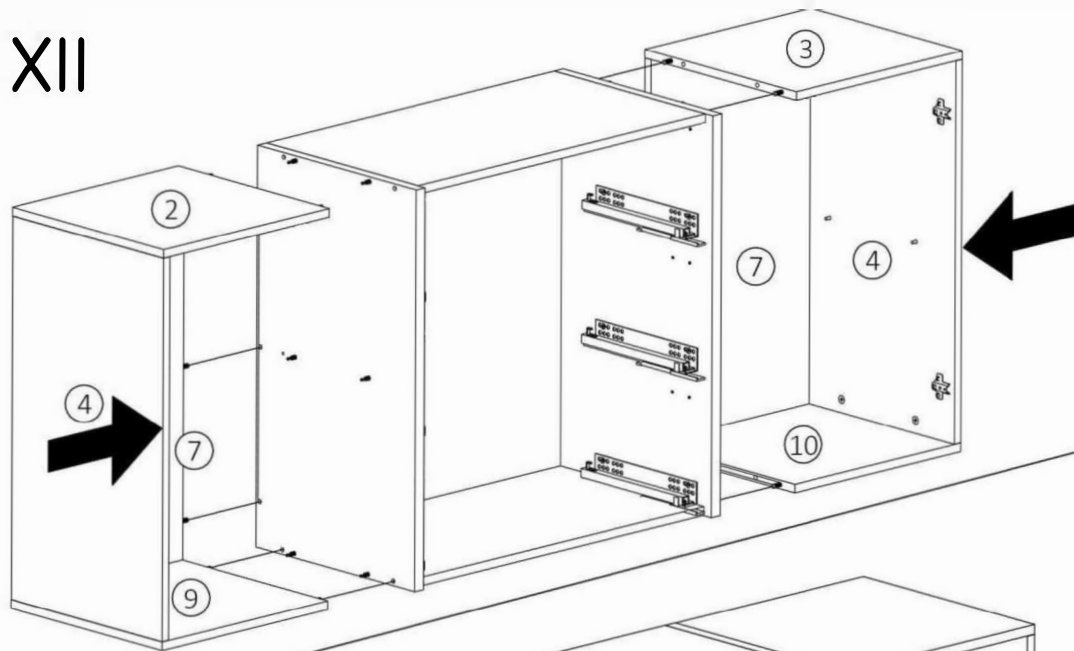


XI

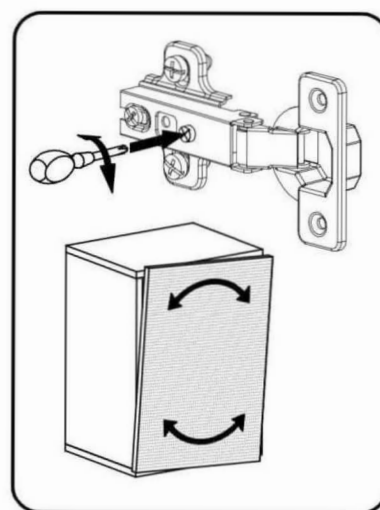
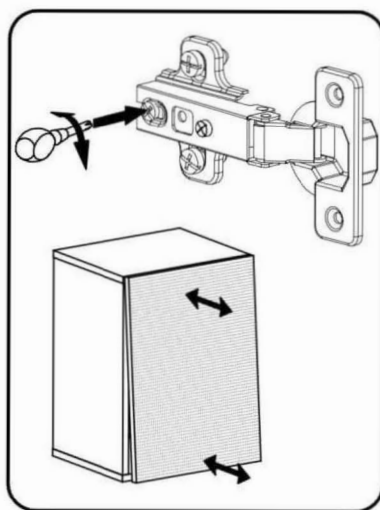
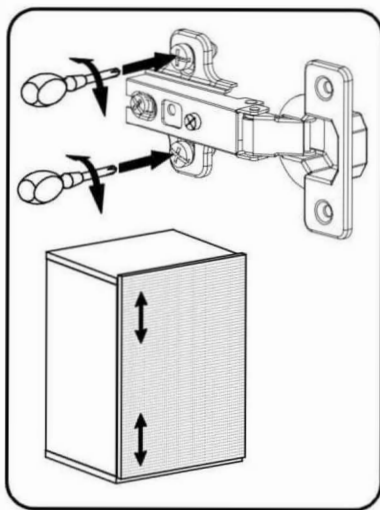
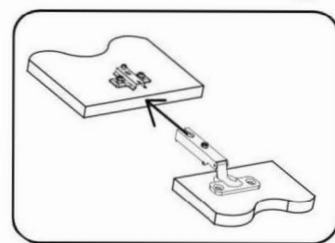
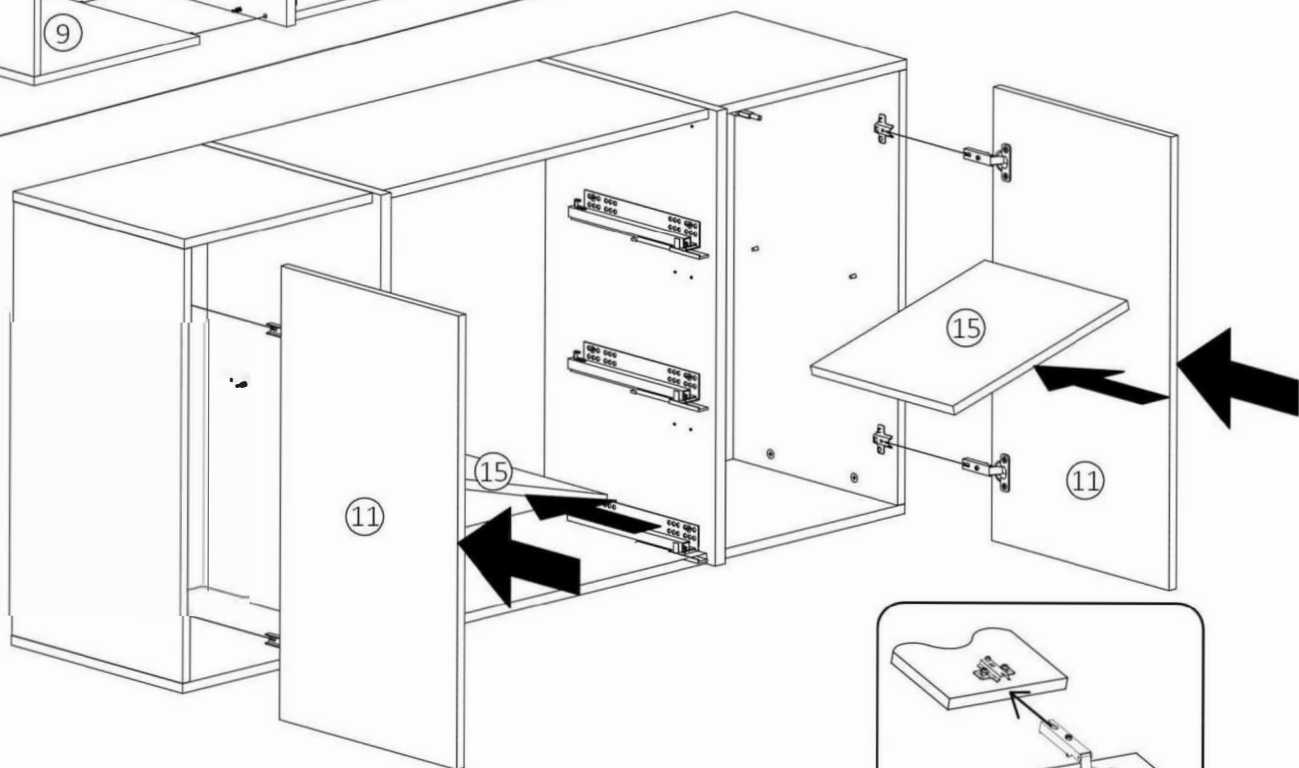


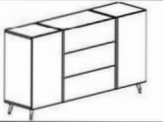


XII

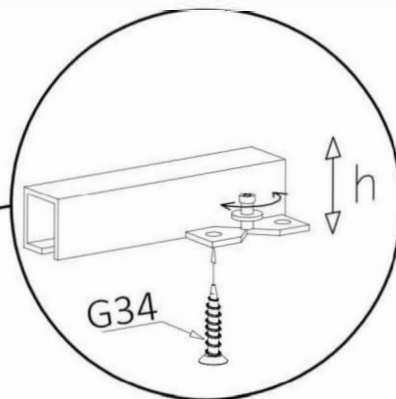
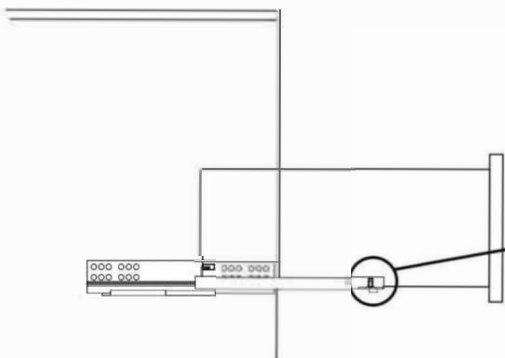
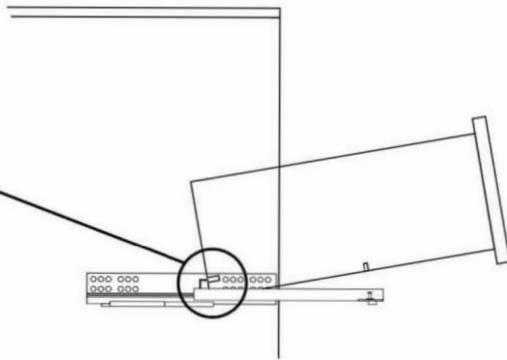
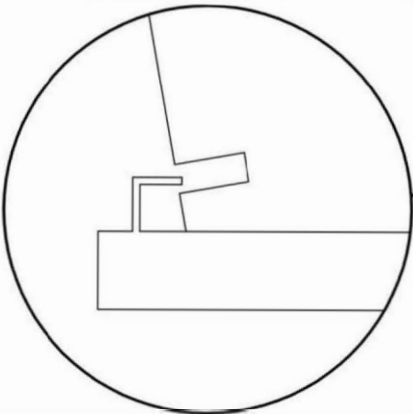
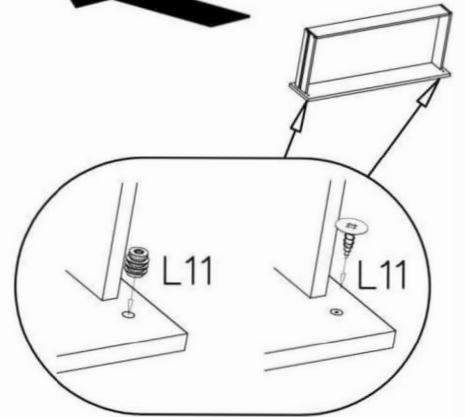
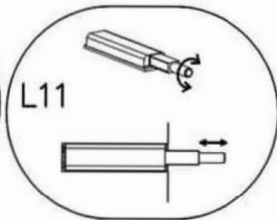
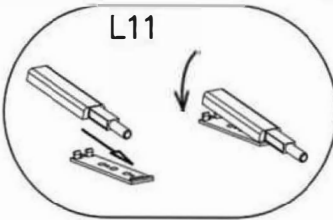
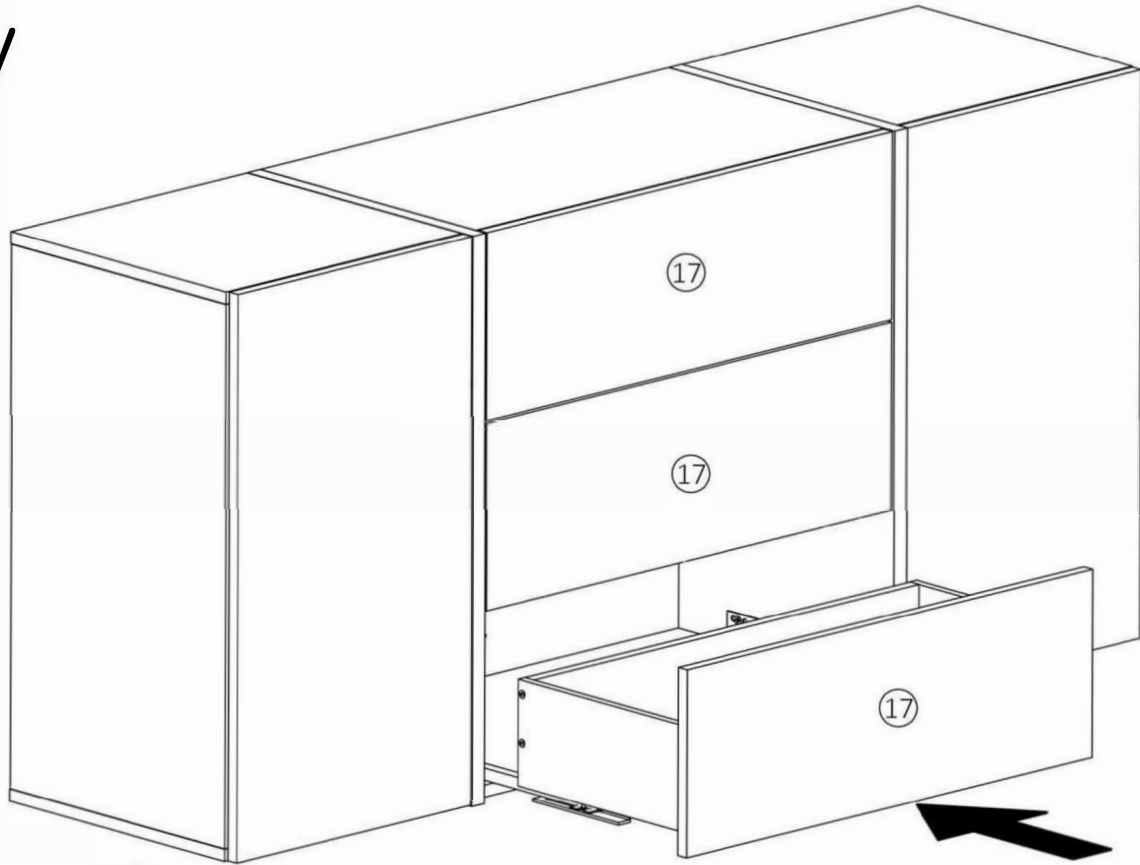


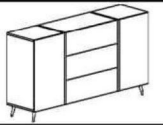
XIII



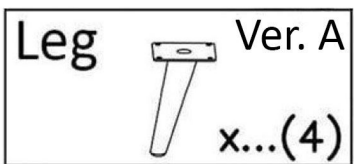
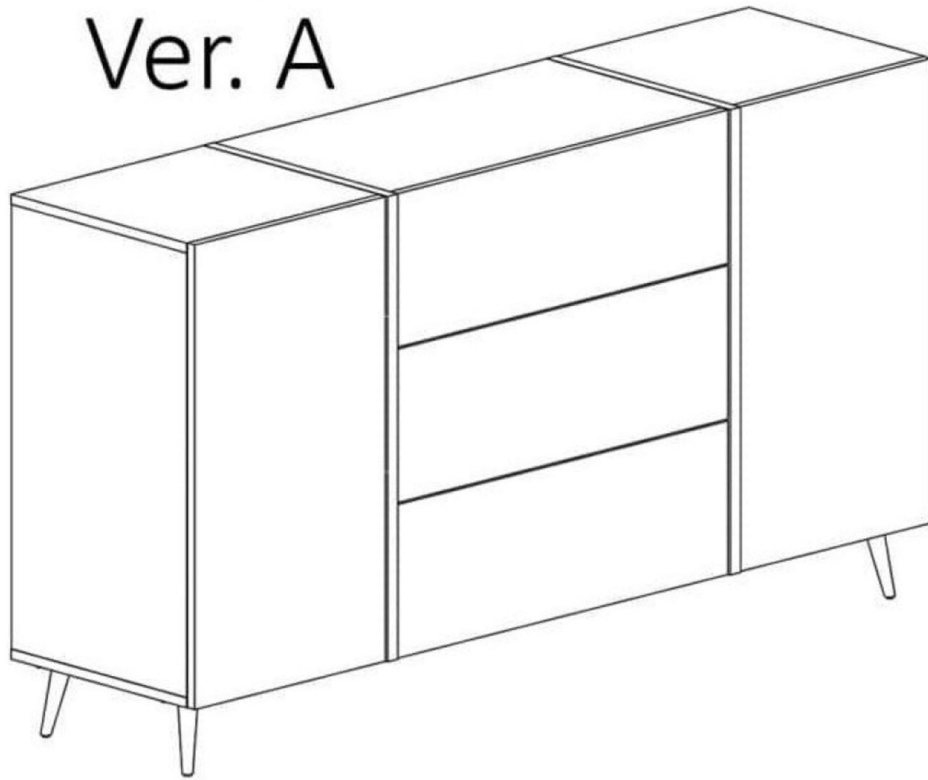


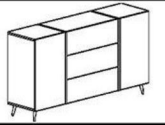
XIV



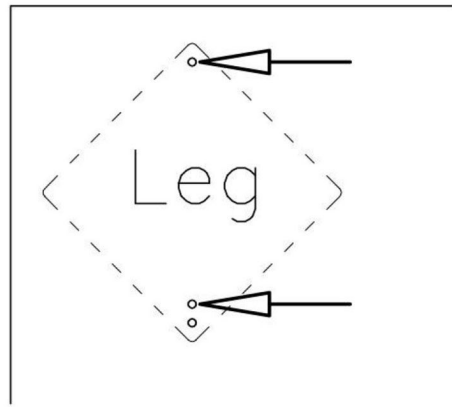
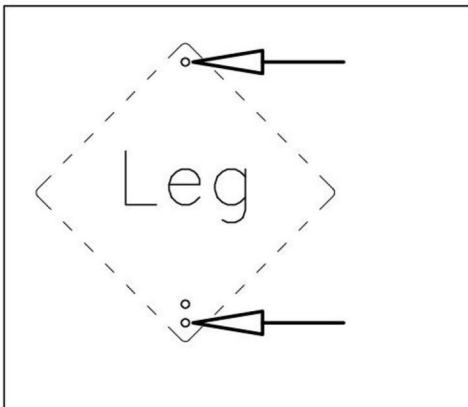
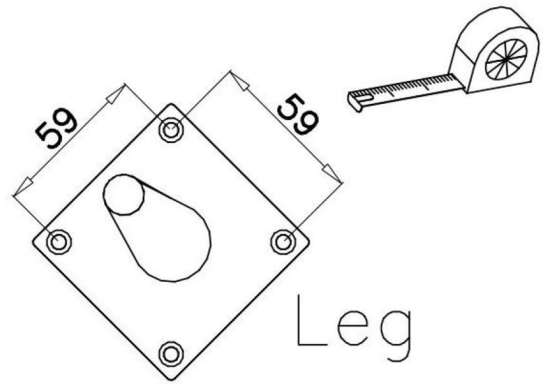
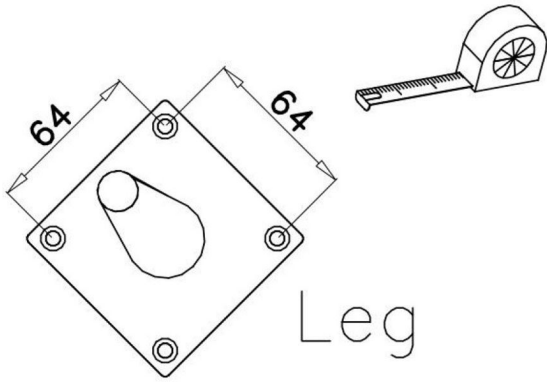


Ver. A

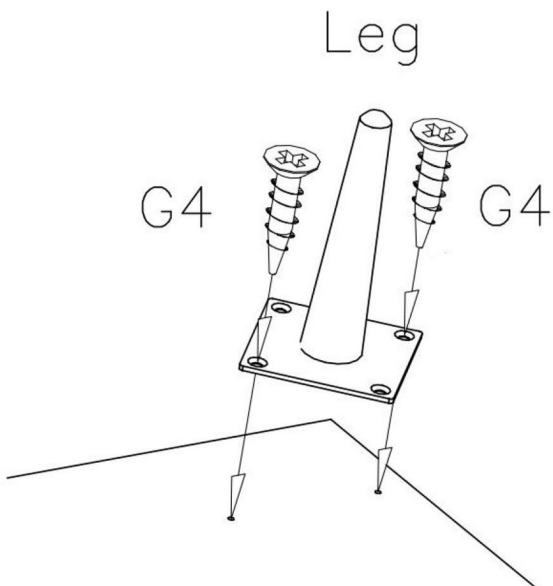




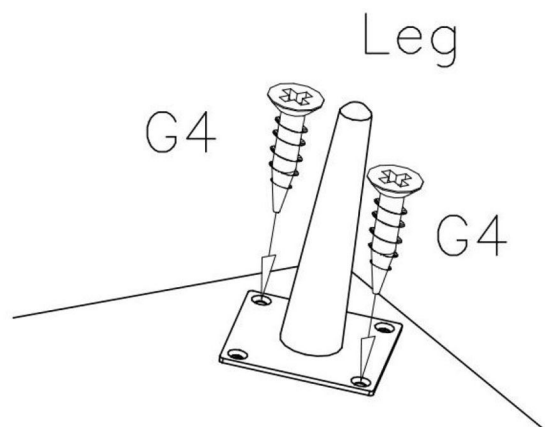
I

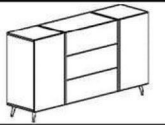


II

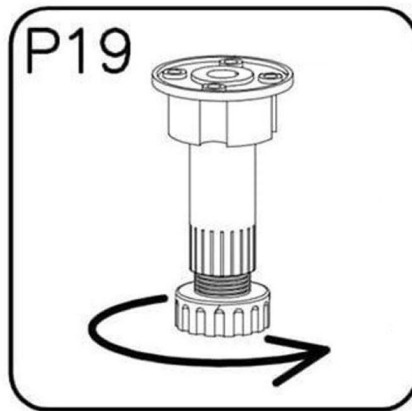
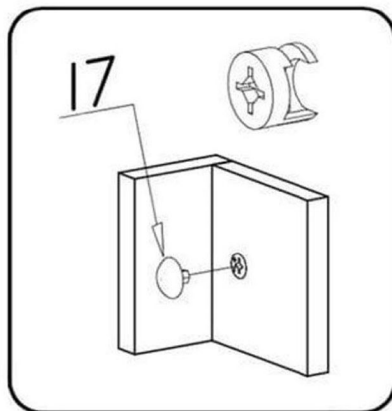
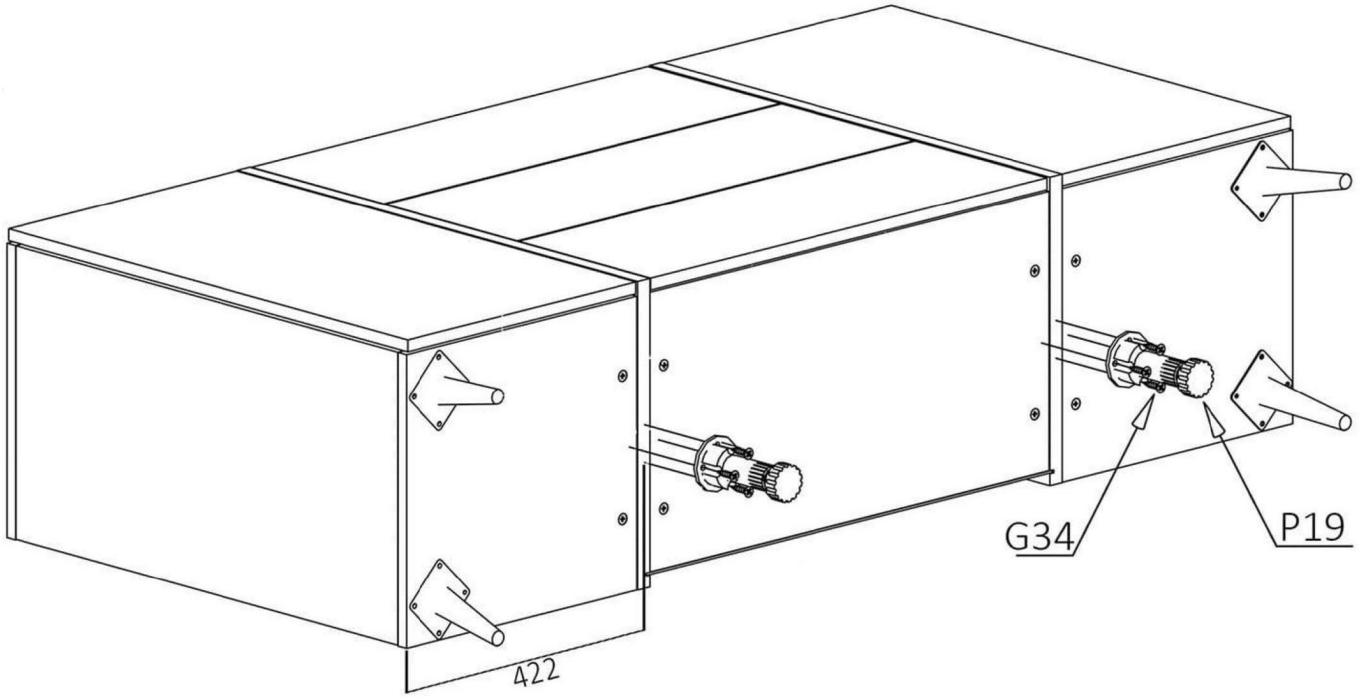


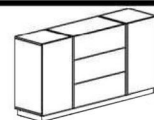
III



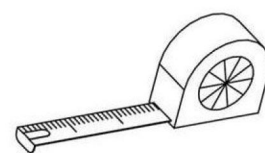
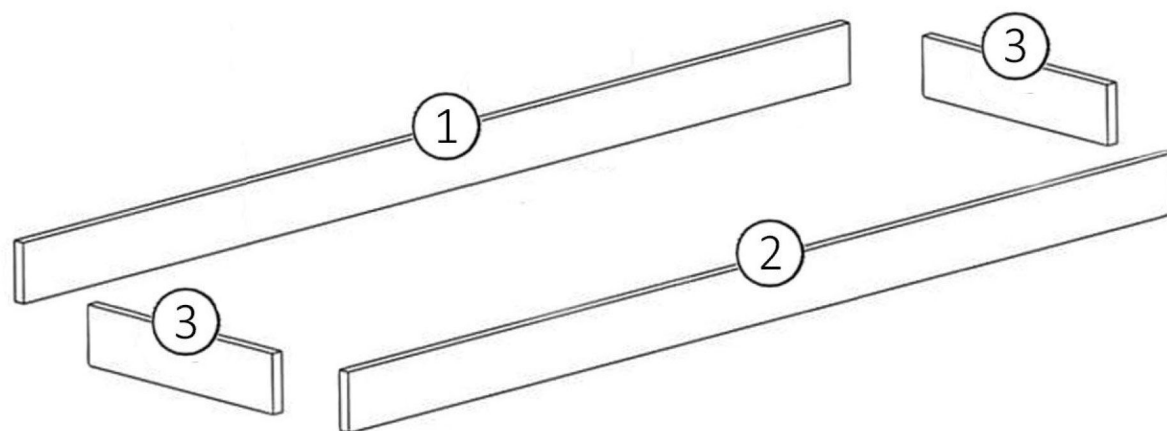
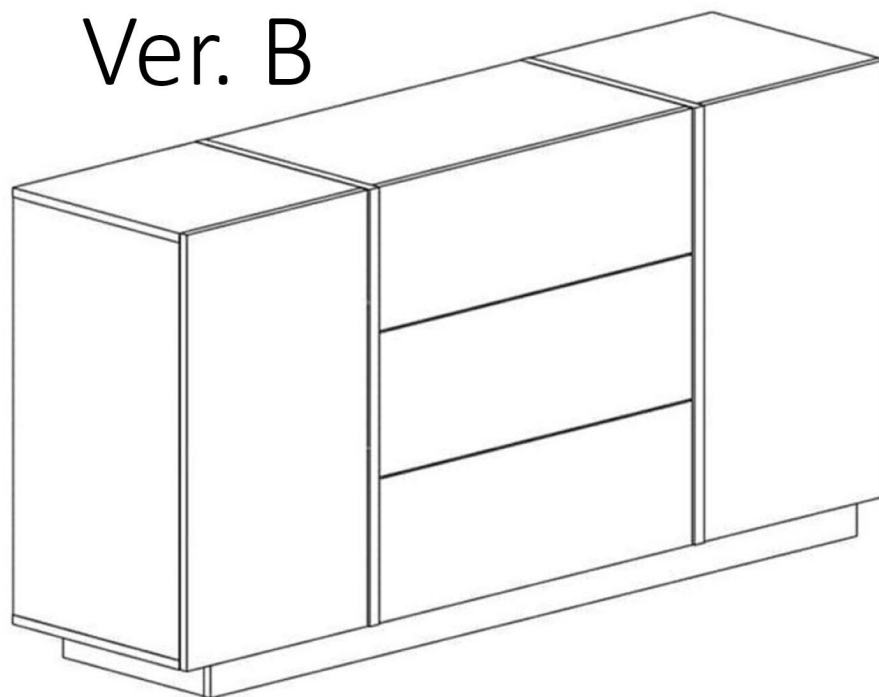


IV





Ver. B



G34



3,5x16

x...(72)

P4



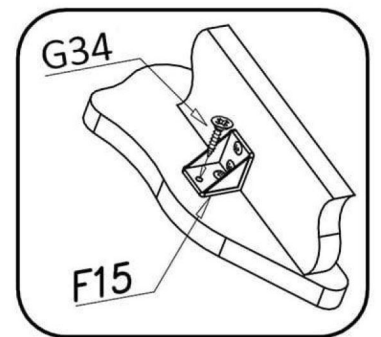
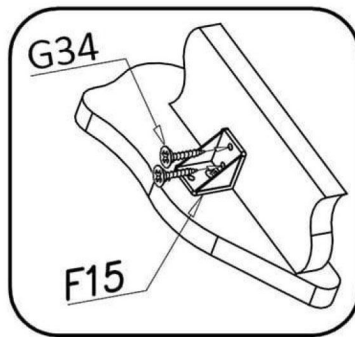
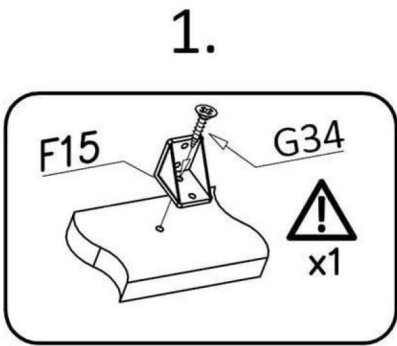
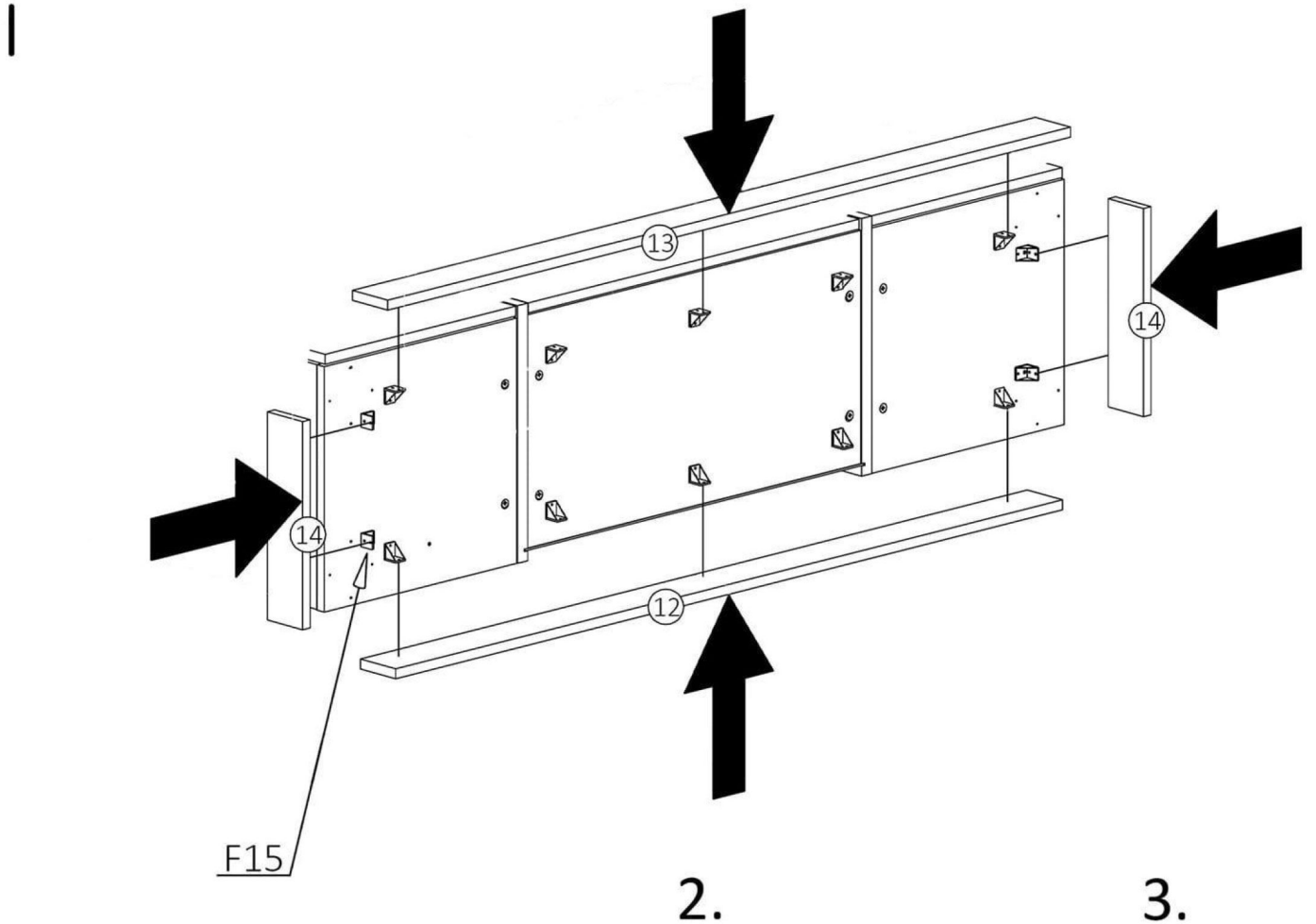
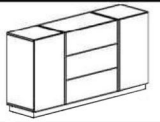
x...(12)

F15

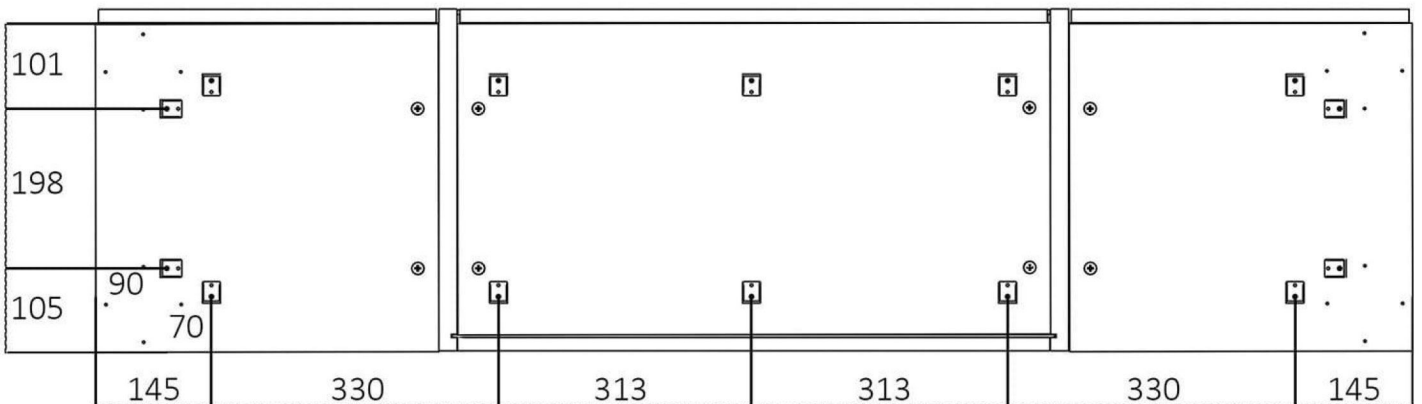


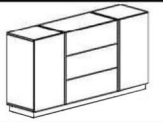
x...(18)

nr	L[mm]	B[mm]	T[mm]	Menge	Coll
1	1426	79	16	1	1/1
2	1460	79	16	1	1/1
3	334	79	16	2	1/1

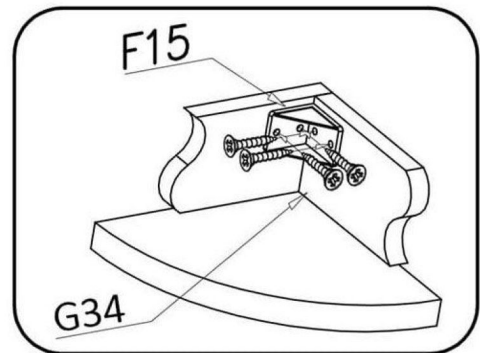
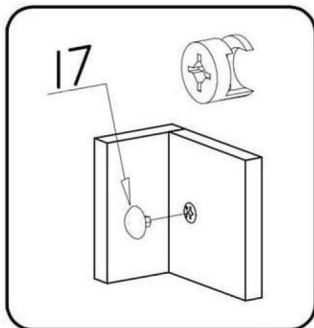
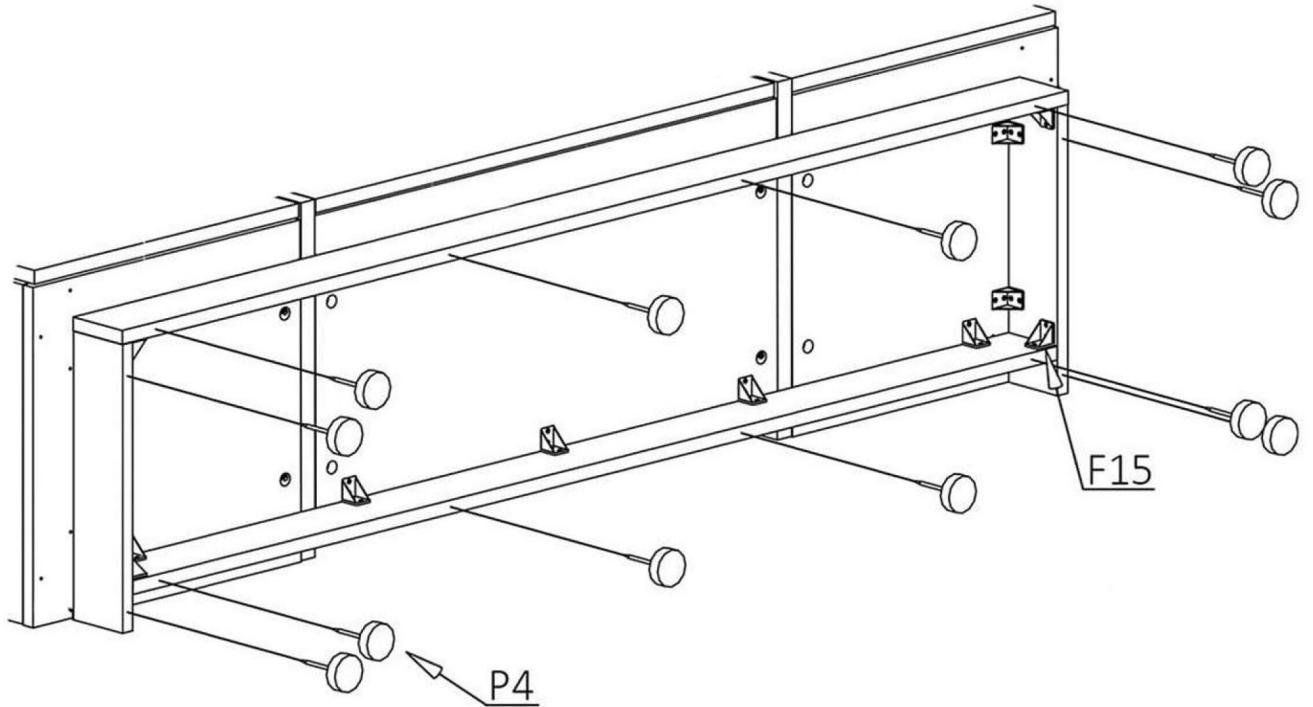


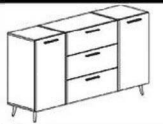
*mm



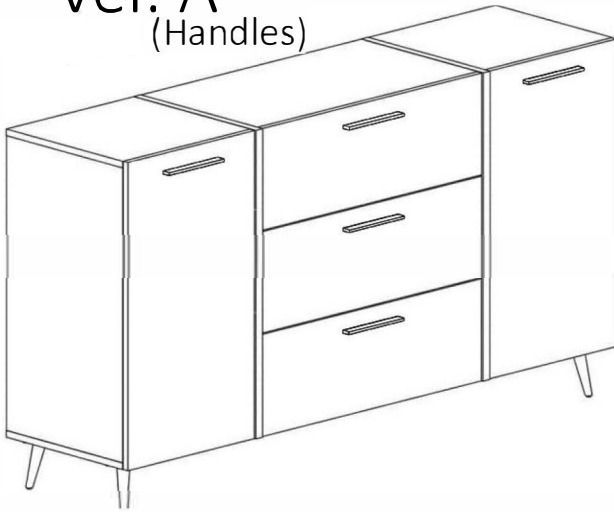


II

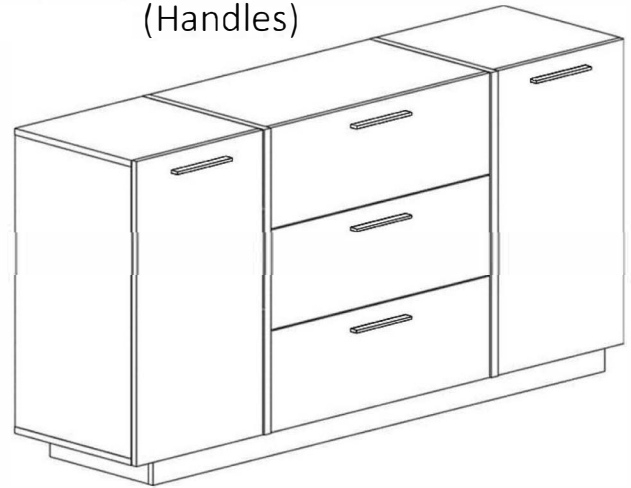




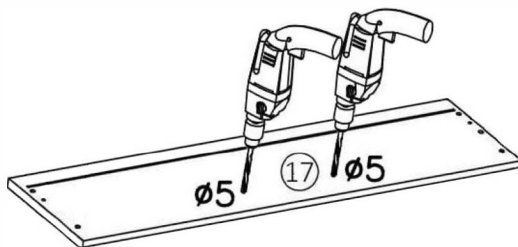
Ver. A
(Handles)



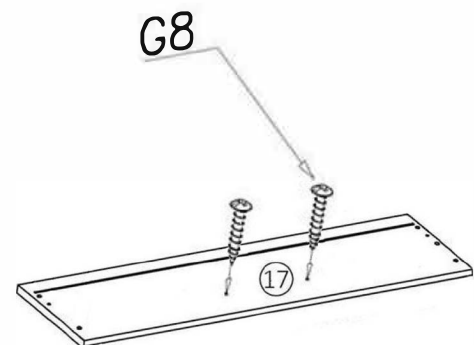
Ver. B
(Handles)



I



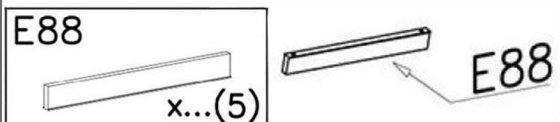
II



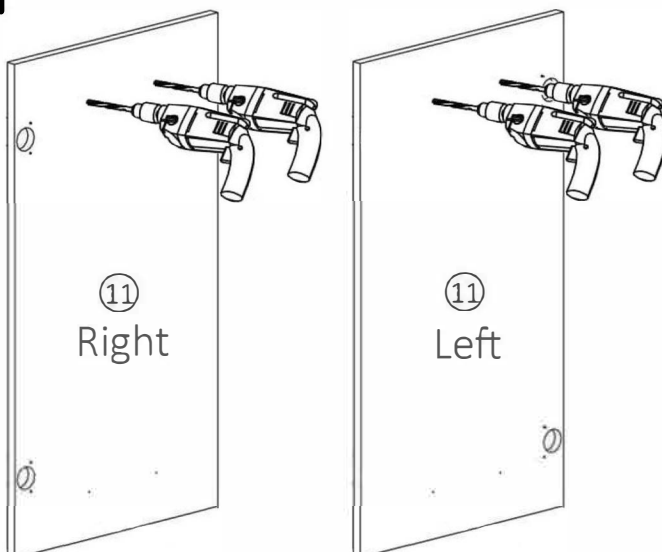
E88

x...(5)

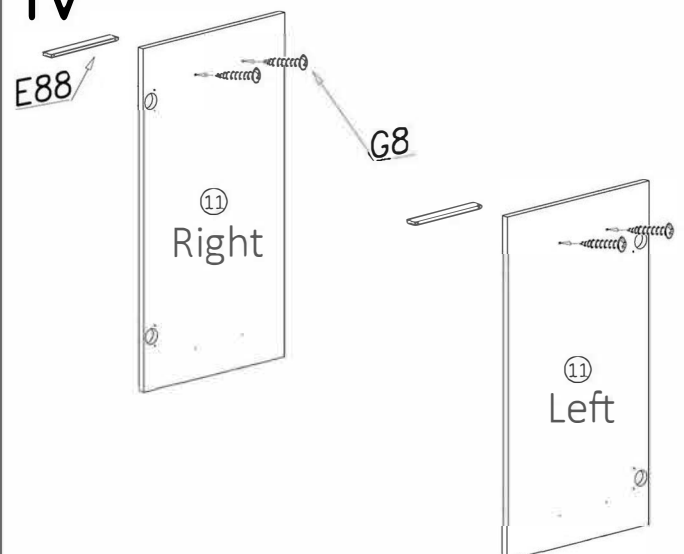
E88



III



IV



V W przypadku montażu wersji z uchwytami nie montować mechanizmów Push-Open.
When installing the version with handles, do not install Push-Open mechanisms.
Bei Ausführungen mit Griffen keine Push-Open-Mechanismen einbauen.

