











# Assembly Instructions

**Caution : You must read this before you proceed**

## Care & Maintenance

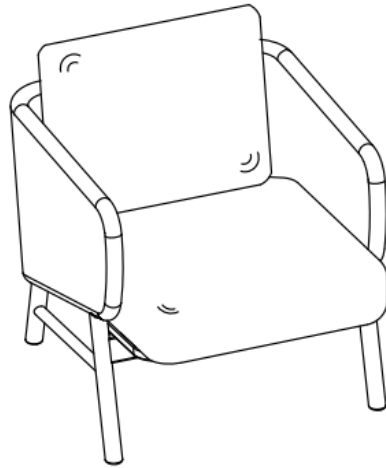
- ⊘  ● Not for commercial use. For residential use only.
- ✓  ● Furniture may scratch floors. We recommend using furniture pads to protect your floors.
- ⊘  ● Do not put hot items directly on furniture surface.
- ⊘  ● Do not clean furniture with harsh cleansers or polish.
- ⊘  ● Do not place furniture under direct sunlight.
- ⊘  ● Do not place furniture near heating or cooling vents.
- ⊘  ● Do not write on furniture without a padded barrier to protect the surface.
- ⊘  ● Do not place furniture outside . For indoor use only.
- ⊘  ● Stains may be removed with mild soap solution and damp cloth.
- ⊘  ● Children should not climb or jump on the furniture.



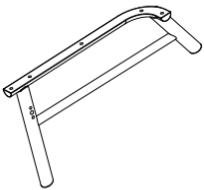
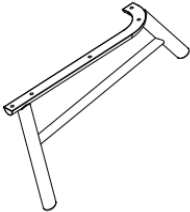
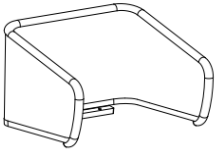

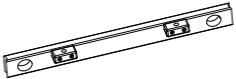
- Dust and pick-up spills using a clean, non-colored, lint-free cloth.



Please look in carton for hardware packs and legs.

## Leisure Chair

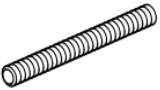


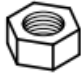
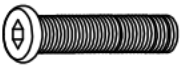




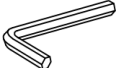
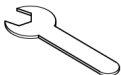



### Parts List

Label	Picture	Description	QTY
A		Left Leg	1
B		Right Leg	1
C		Backrest Frame	1
D		Seat Board	1
E		Stretcher	1

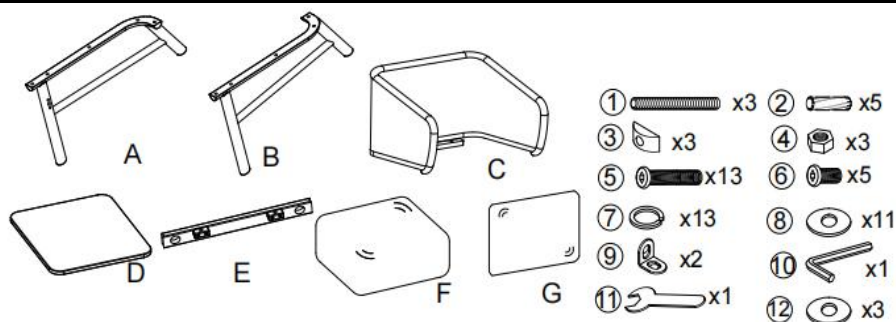
F		Seat Cushion	1
G		Backrest Cushion	1

## Hardware

Label	Picture	Description	QTY
①		Full Thread Screw Ø5/16"×2-3/4"	3
②		Wood Dowel Ø10 x 30mm	5
③		Half Moon Washer 28 x 15 x 6.5mm	3
④		Nut Ø5/16"	3
⑤		Bolt Ø1/4" x 1-3/4"	13
⑥		Bolt Ø1/4" x 5/8"	5
⑦		Spring Washer Ø1/4"	13
⑧		Flat Washer Ø1/4"×12×1.5mm	11
⑨		L-shaped iron sheet (25*25) x 19 x T1.5mm	2
⑩		Allen Wrench 4.0×21×57	1
⑪		Open wrench L85mm, open-endØ12mm	1
⑫		Flat Washer Ø1/4"×16×1.5mm	3

# Assembly Preparation

Before Beginning Assembly :



- Read instructions, cover to cover-



- Have 2 adults on hand for assembly-



- Do not assemble on flooring or carpet-



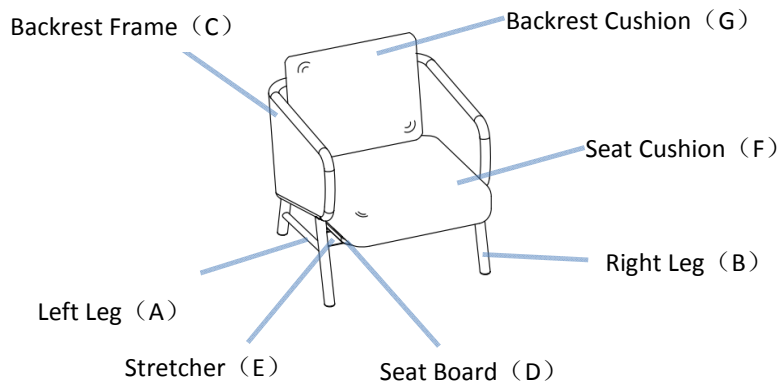
- Assemble on a clean non-marring surface (packing foam)-



- Save all packaging until finished-

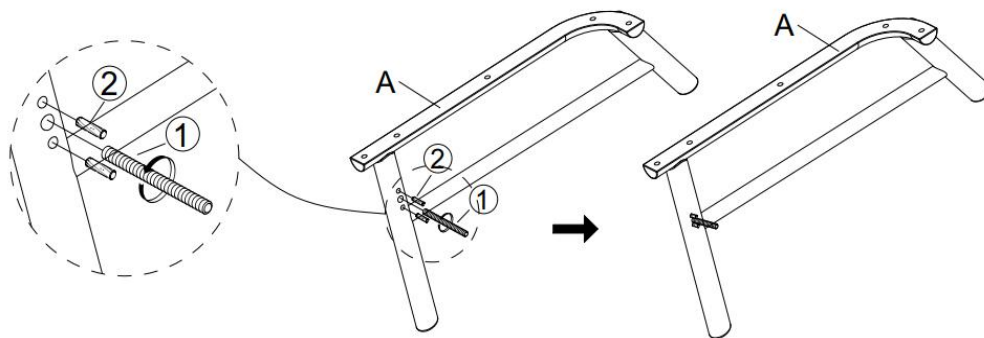
# Assembly Steps

## Overview



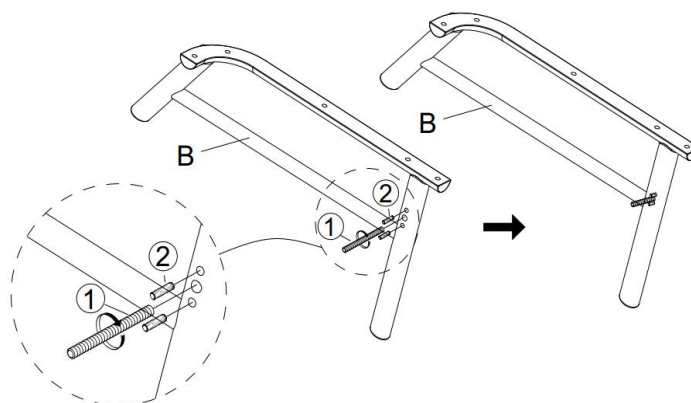
This chair has multiple parts and may require up to some 30 minutes to assemble. To give you an overview of the chair parts, the above picture is to help you put the various parts into perspective. Please read through the instructions below to familiarise yourself with the parts and steps before assembly.

**Step 1**



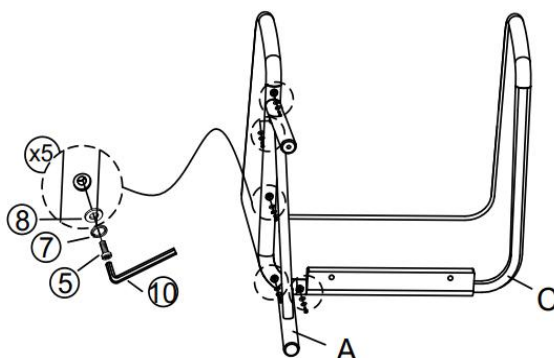
Install the Full Thread Screw (①) and Wood Dowel (②) on the Left Leg (A), as pictured above.

**Step 2**



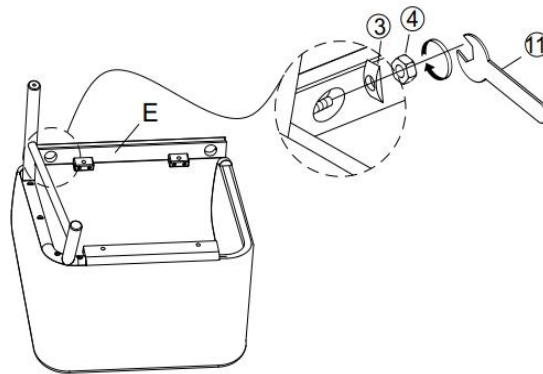
Install the Full Thread Screw (①) and Wood Dowel (②) on the Right Leg (B), as pictured above.

**Step 3**



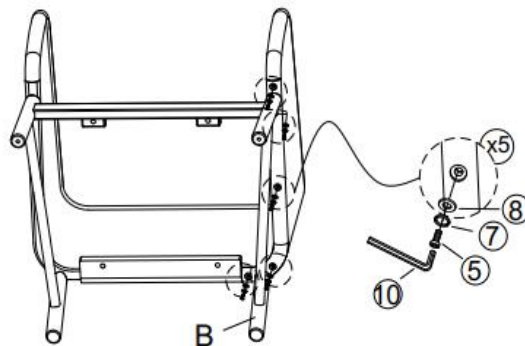
Attached Left Leg (A) to Backrest Frame (C) by using Bolt (⑤), Spring Washer (⑦), Flat Washer (⑧) and Allen Wrench (⑩), as pictured above.

**Step 4**



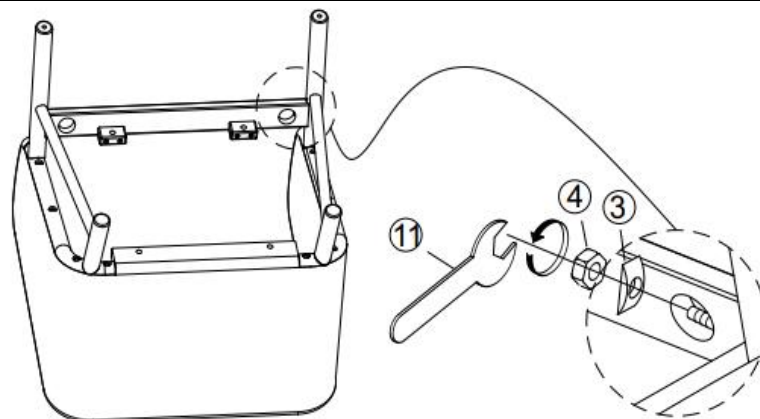
Attached Stretcher (E) to Left Leg (A) by using Half Moon Washer (③) ,Nut (④) and Open wrench (⑪), as pictured above.

**Step 5**



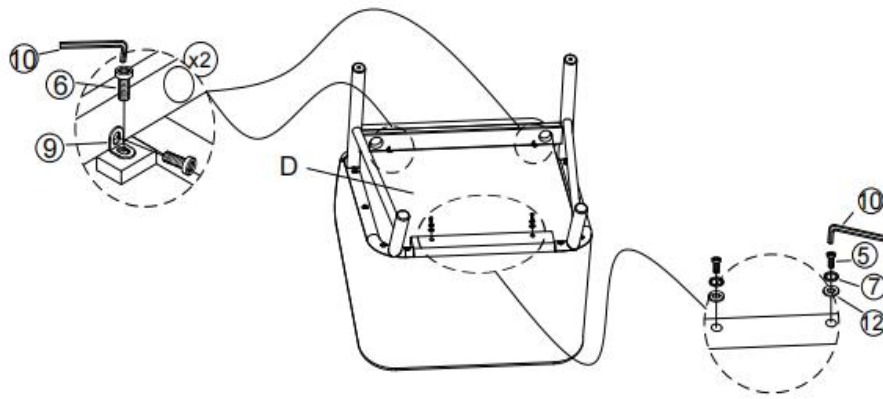
Attached Right Leg (B) to Backrest Frame (C) by using Bolt (⑤) ,Spring Washer (⑦), Flat Washer (⑧) and Allen Wrench (⑩),as pictured above.

**Step 6**



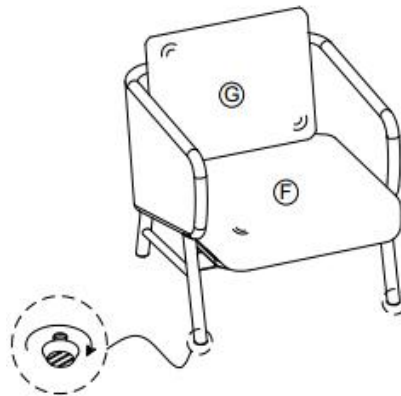
Attached Stretcher (E) to Right Leg (B) by using Half Moon Washer (③) ,Nut (④) and Open Wrench (⑪), as pictured above.

**Step 5**



Attached Seat Board (D) to Backrest Frame (C) by using Bolt (5) ,Spring Washer (7), Flat Washer (12), Allen Wrench (10) and to Stretcher (E) by using Bolt (6), L-shaped iron sheet(9) and Allen Wrench (10), as pictured above.

**Step 6**



Put the Seat Cushion (F) and Backrest Cushion(G) on the Seat Board (D).  
Your Chair is ready for use.  
This Chair can only be used on a flat, level surface.