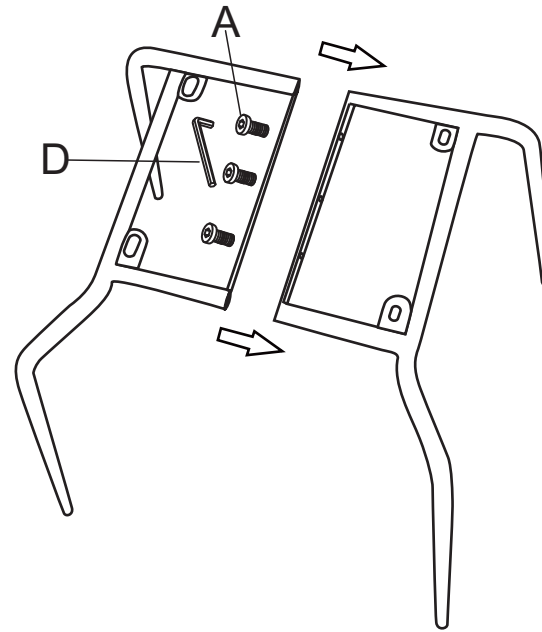
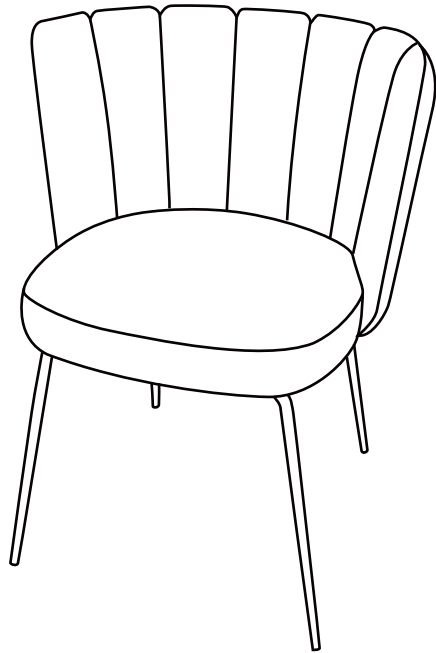






ASSEMBLY INSTRUCTION



A	 M8*16	x3
B	 M6*20	x4
C	 M6	x4
D	 M5	x1

