



OFFICE CHAIR  
ASSEMBLY INSTRUCTION

www.paylesshere.com

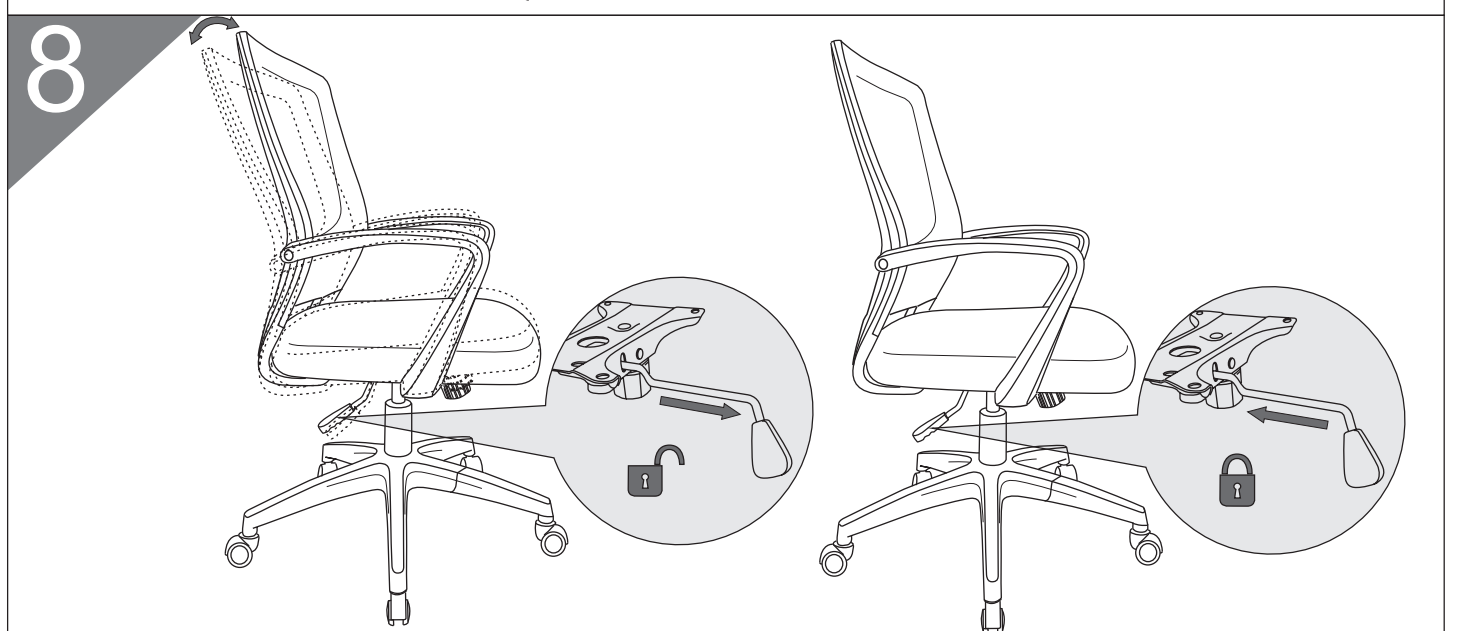
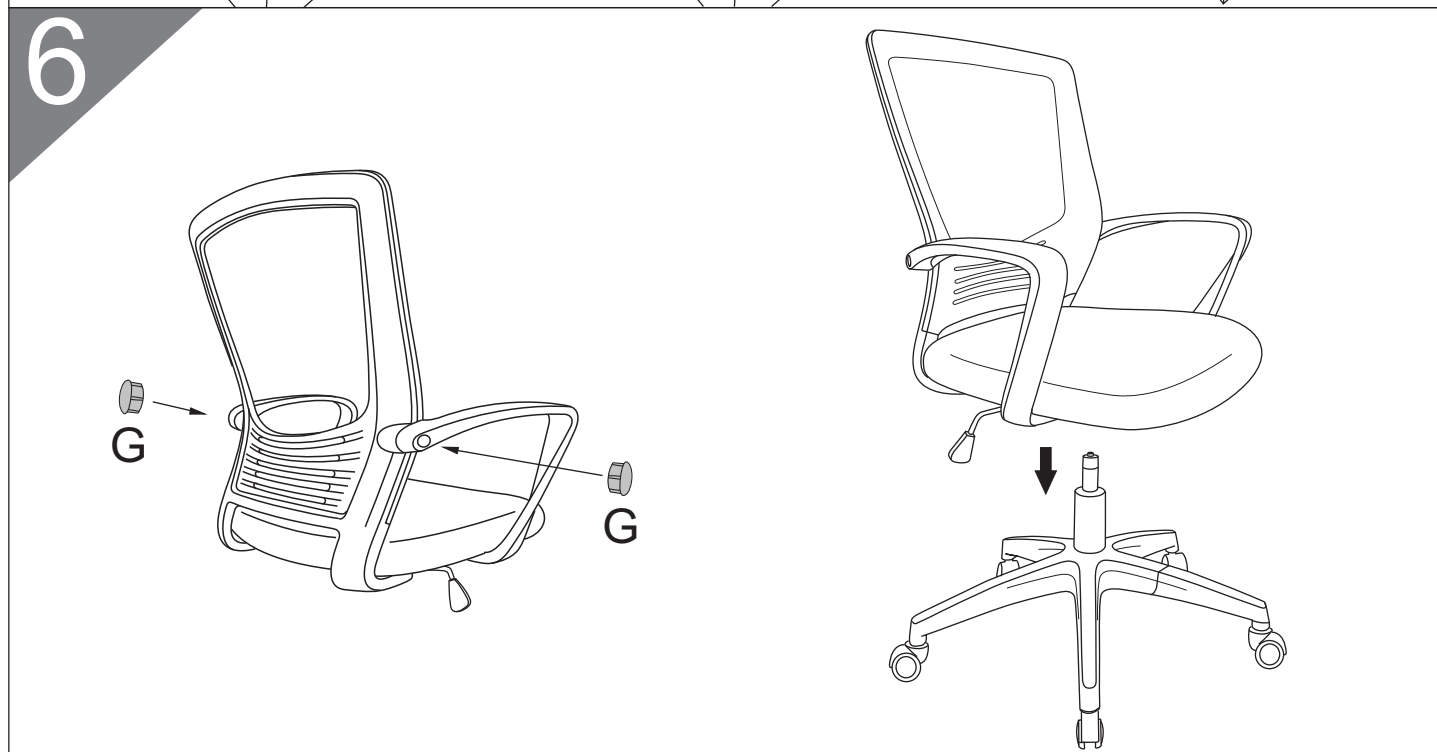
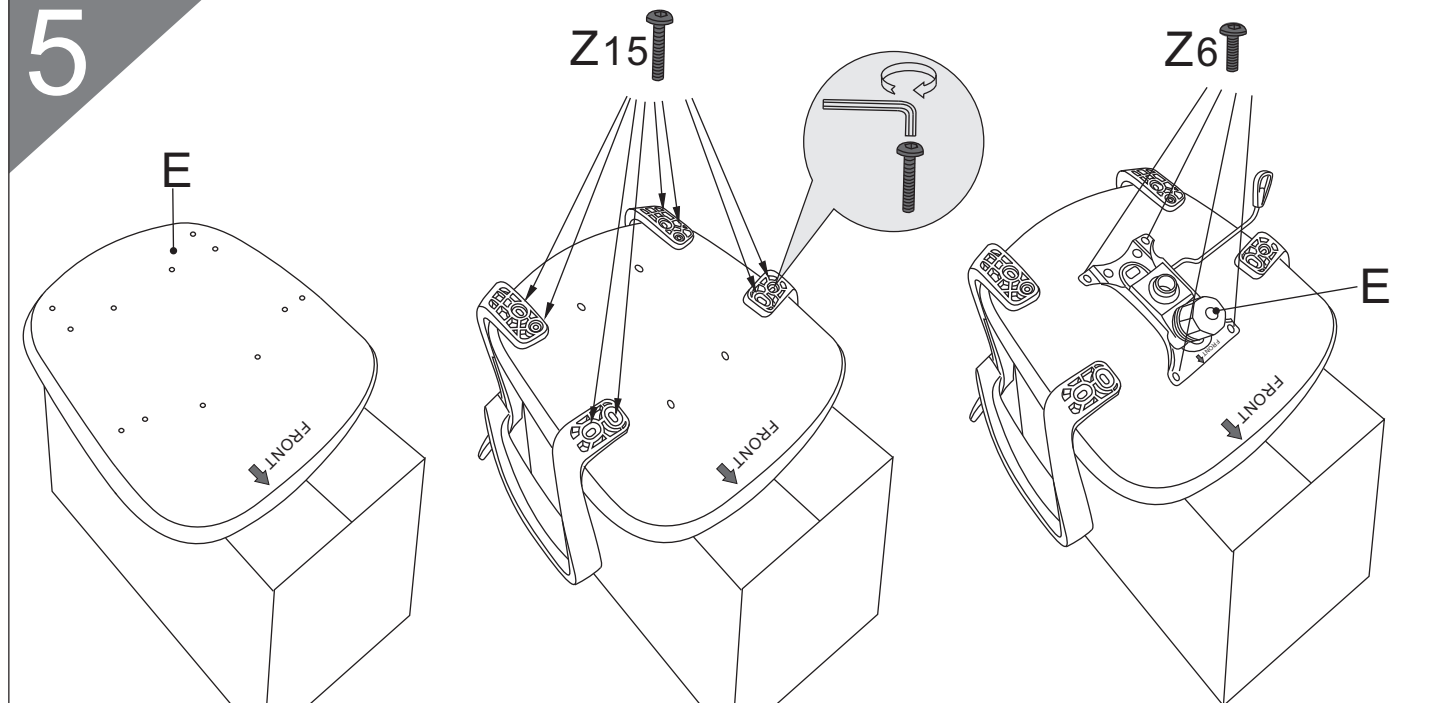
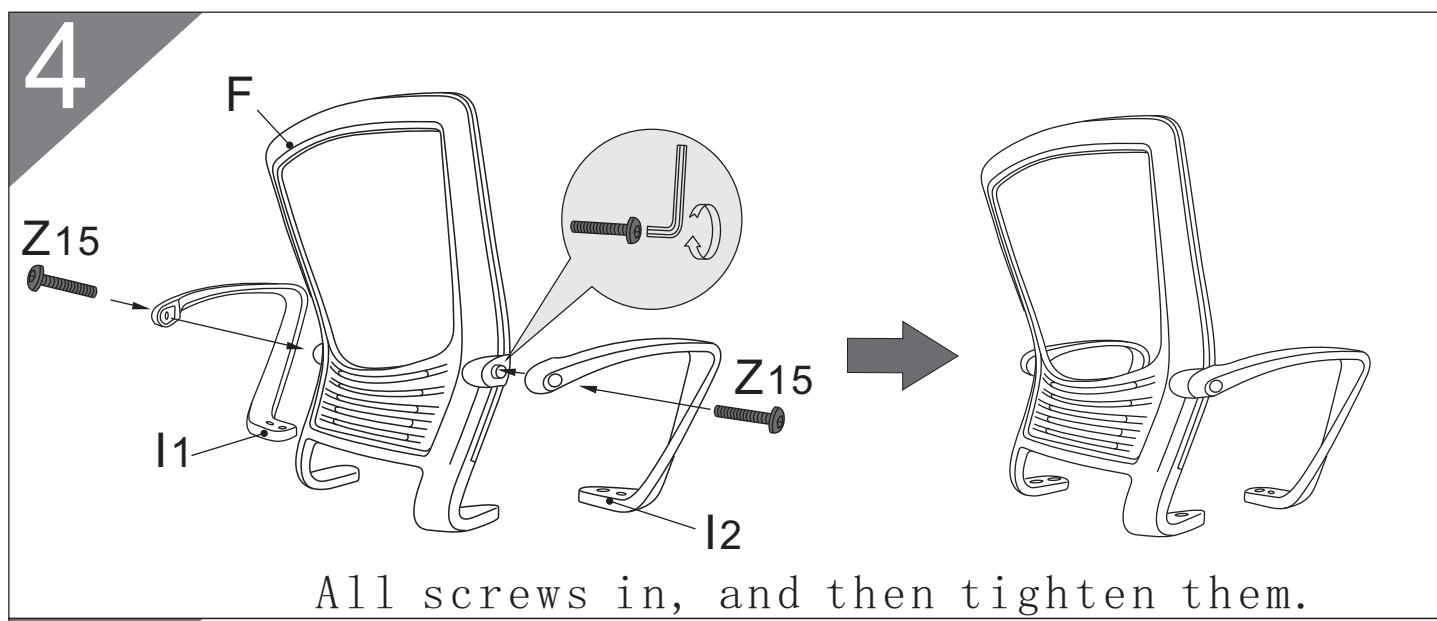
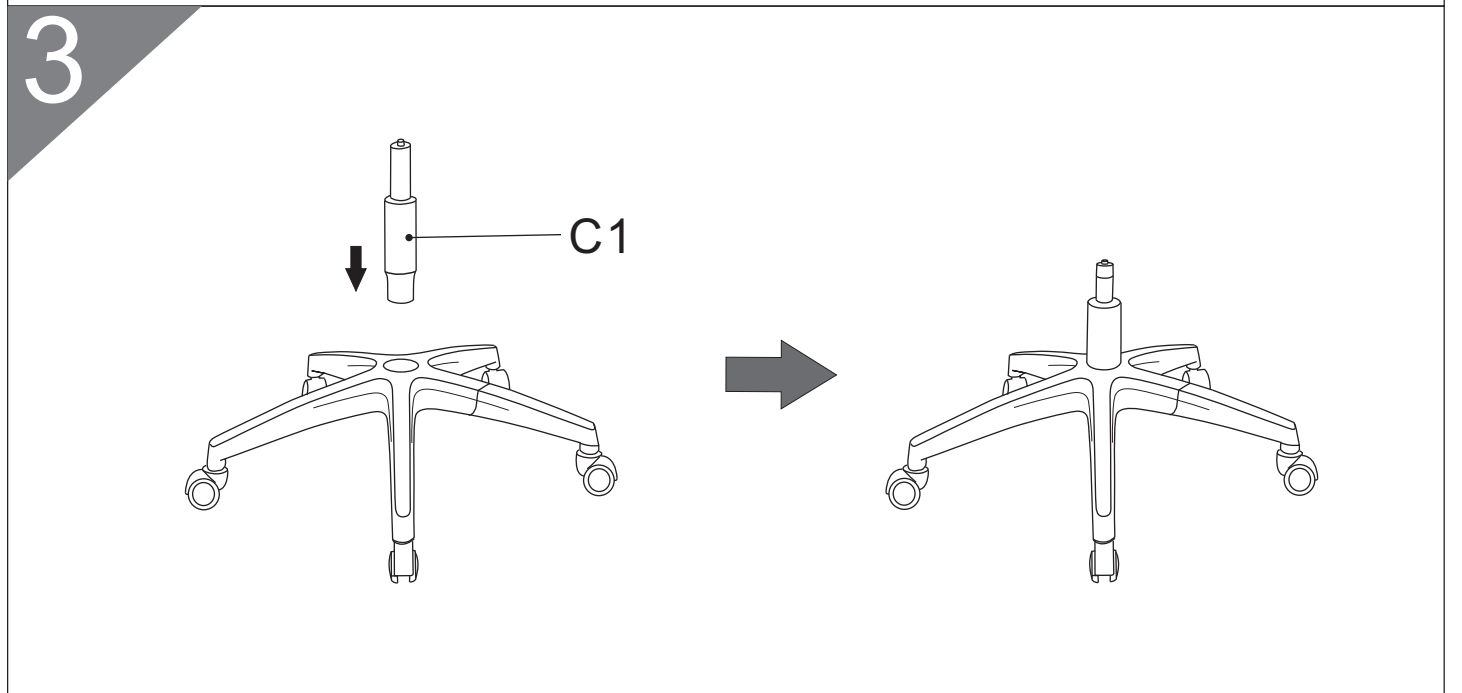
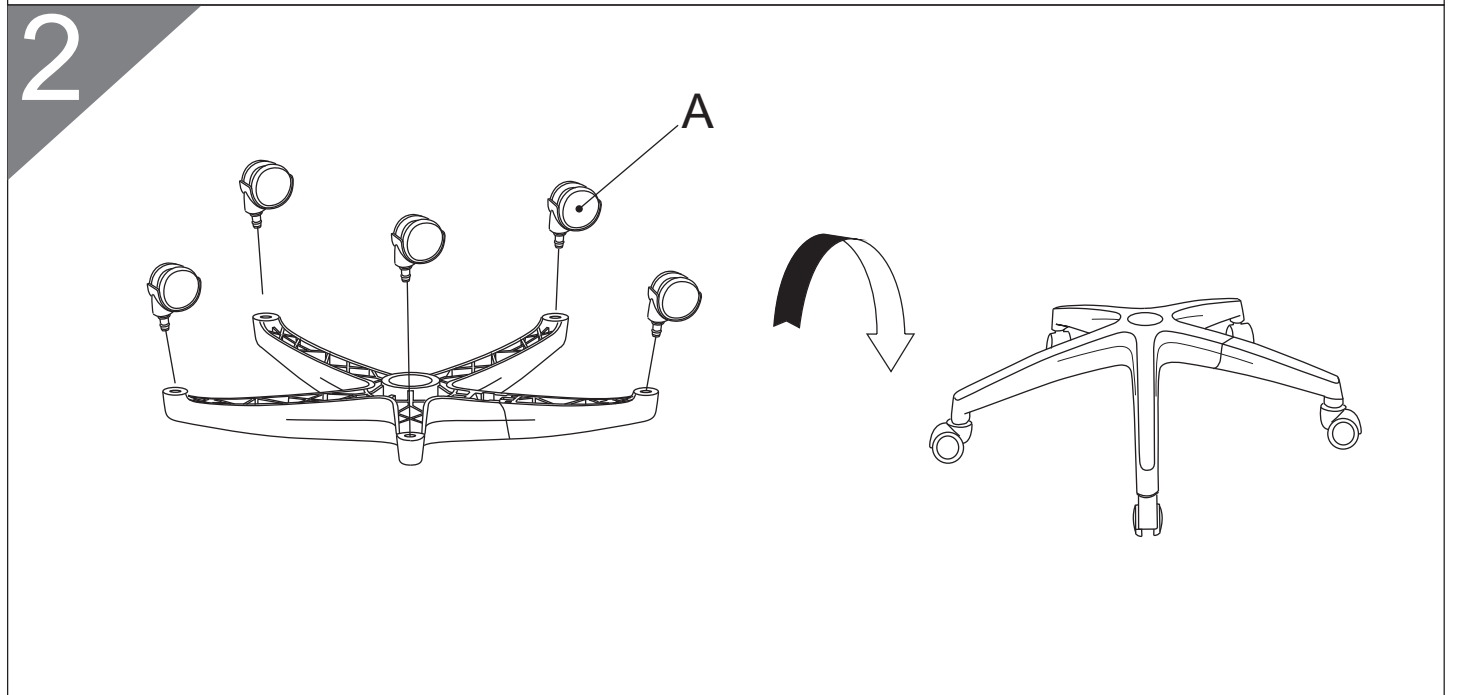
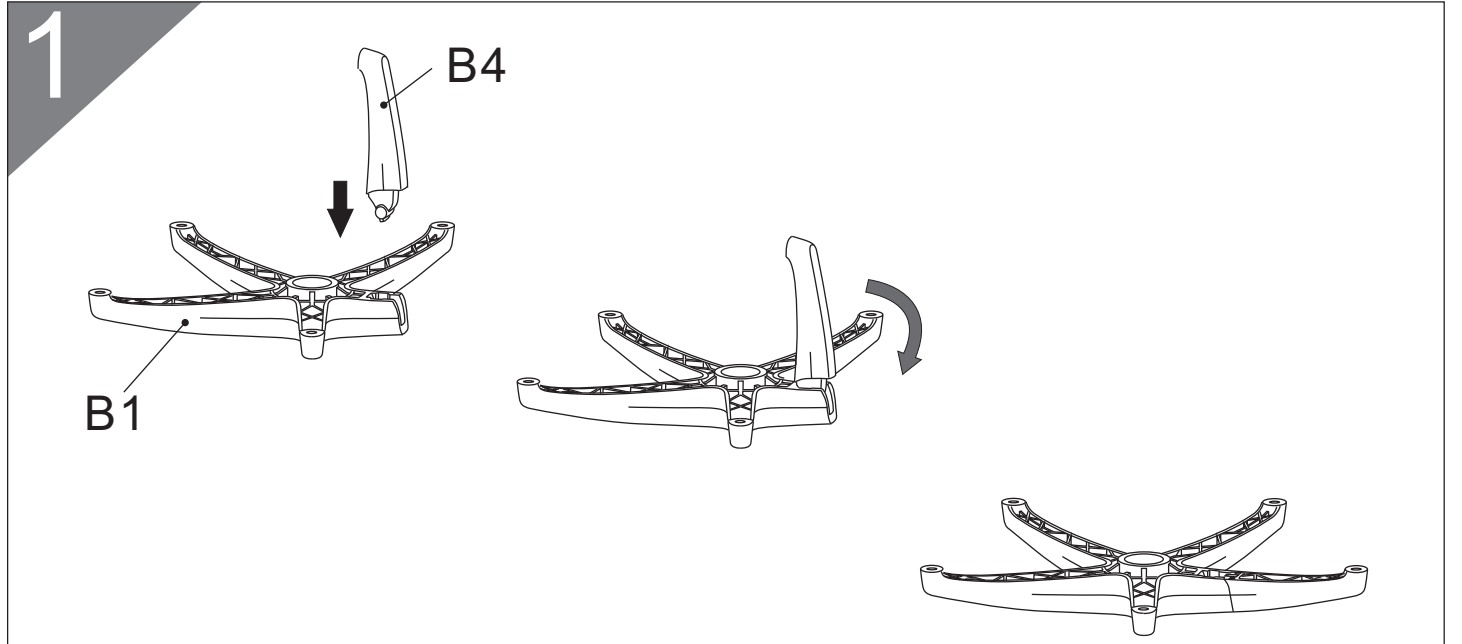


THANK YOU FOR PURCHASING OFFICE CHAIR  
OC-YY-988  
PARTS LIST

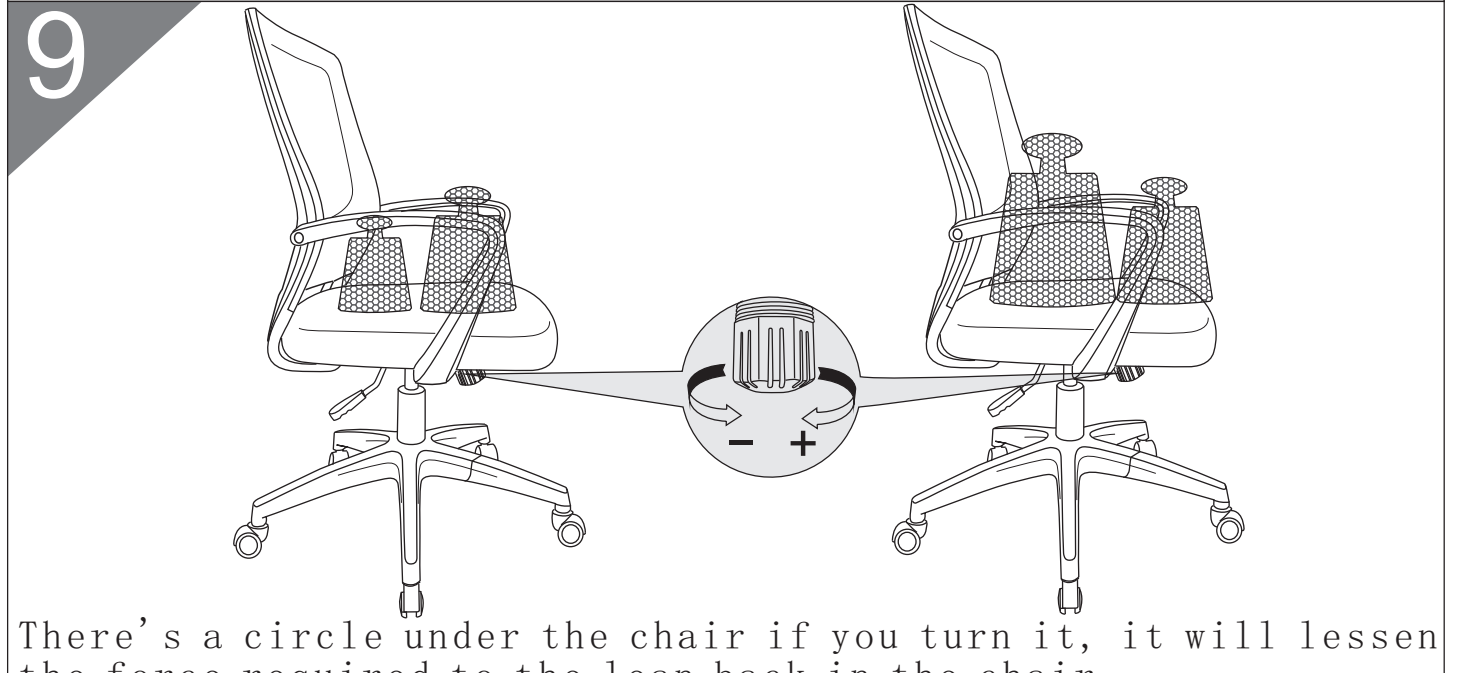
Ax5 	B1x1 	B4x1 	C1x1 	Dx1 
Ex1 	Fx1 	Gx2 	Hx1 	I1x1 
I2x1 	Z6x4 	Z15x10 		

WARNING

- Do not stand in this chair or use the chair as a step ladder use it as chair only.
- This chair is designed for one person to use at a time.
- This chair is designed for one person weighing up to 250lbs(113kgs).
- Do not use this chair unless all bolts, screws and knobs are firmly secured.
- Check all bolts,screws and knobs every 90days. Tighten if any are loose.
- Failure to follow these instructions may result in serious injury or death of yourself and people around you.



This chair will not lay flat but can recline, in order to recline, please pull the handle on the side out,



There's a circle under the chair if you turn it, it will lessen the force required to the lean back in the chair