

AFTERSALE SERVICE

Dear customer,

Thank you so much for purchasing the product from us, we really appreciate your support.

We are aimed to provide the best shopping experience to our customers. We also want to build a mutually beneficial relationship with our customers, and step further to make our brand both reliable, responsible and recommendable.

We hope that our products could meet your needs and expectations, please consider us again if you need more products for your home and kitchen.

The package would be out of our control during shipping, please contact us through your purchasing channel directly if there is anything wrong with the box or contents. We are always here offering you our service.

We will reply your messages within 24 hours, please kindly wait for the response from our team.

Your comfort and contentment are of utmost importance.

Best Regards,

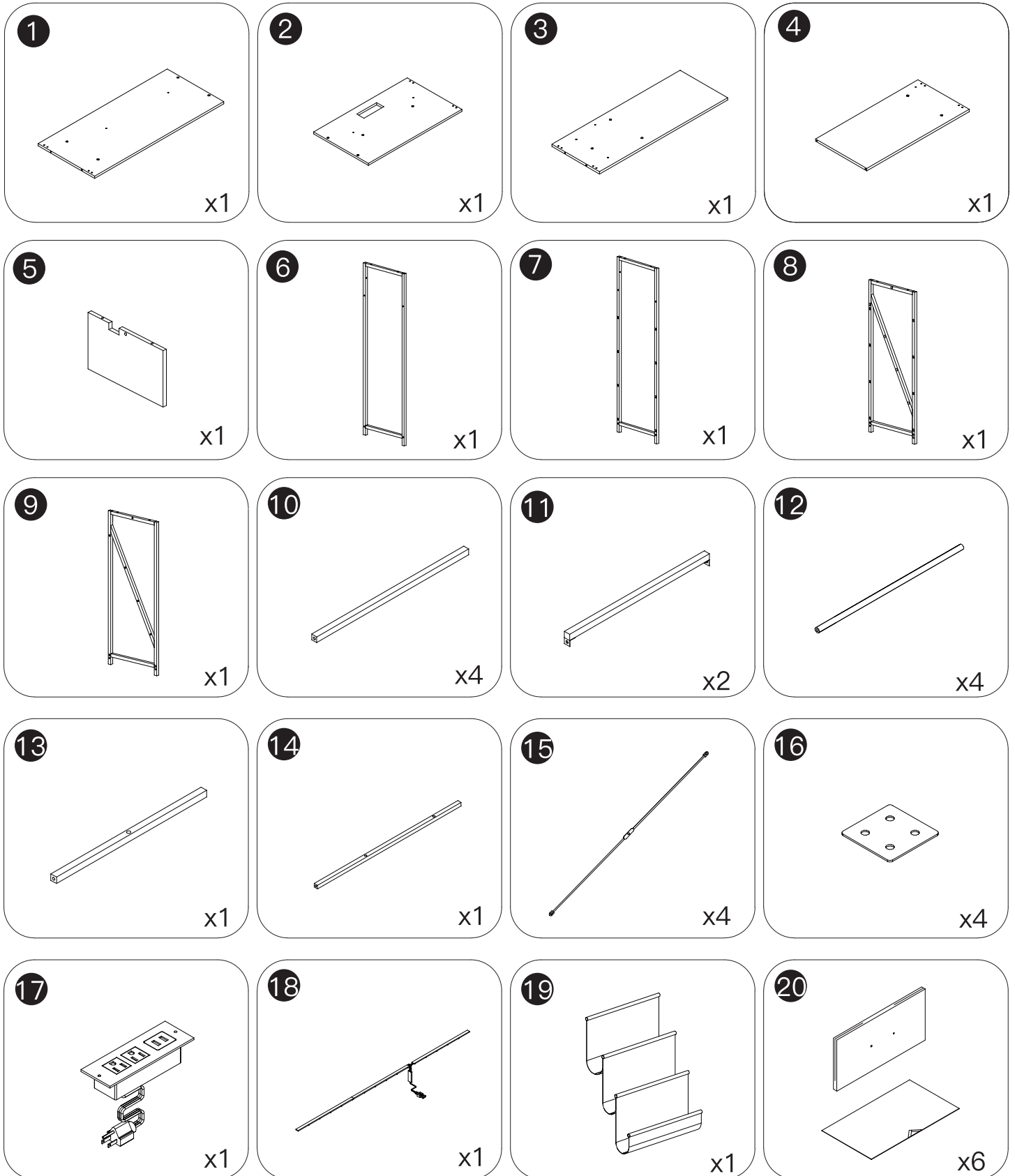
Customer Care Specialist

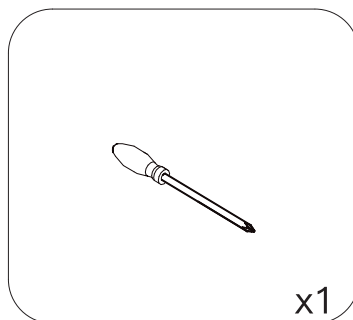
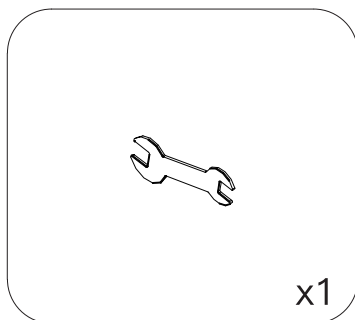
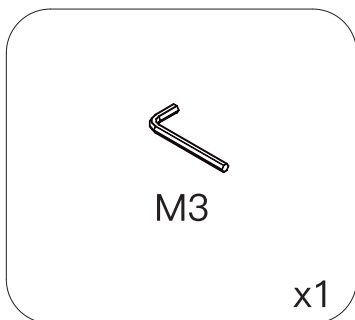
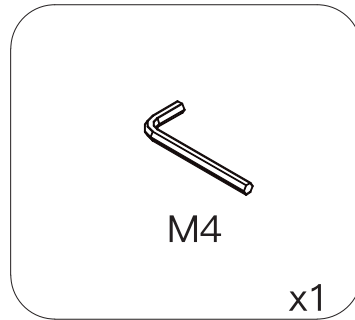
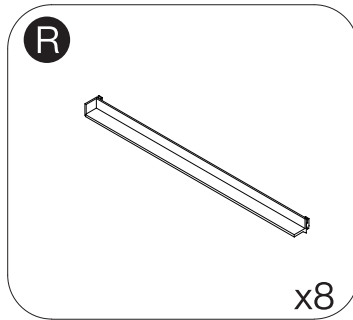
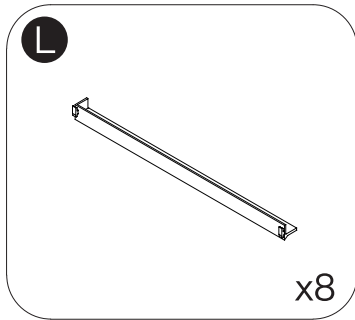
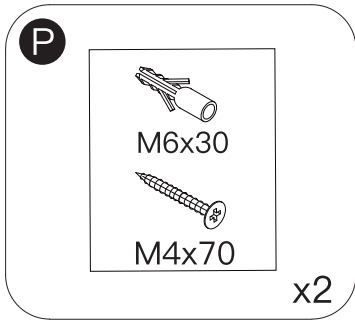
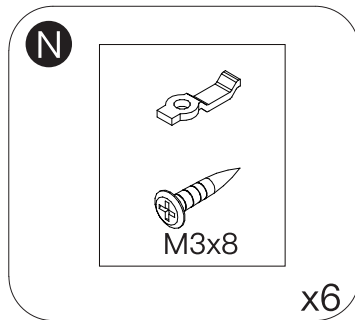
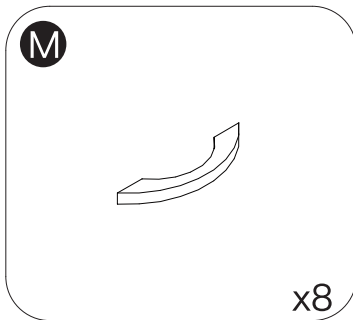
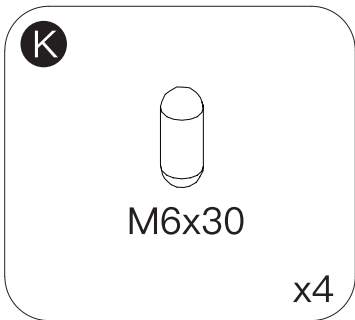
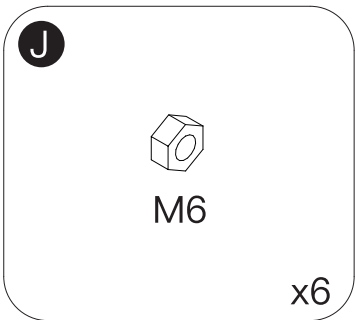
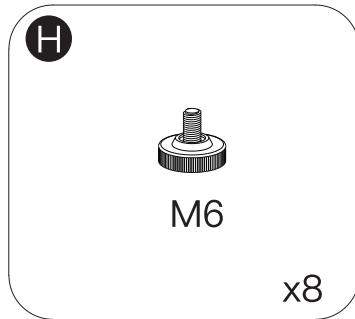
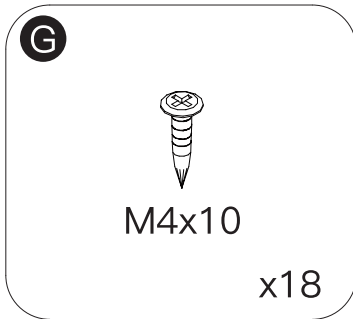
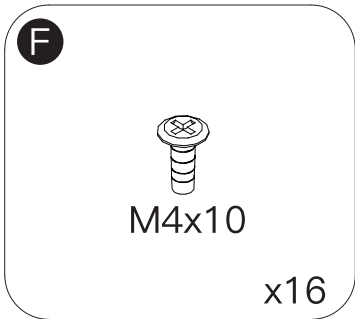
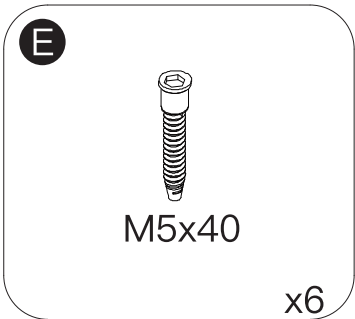
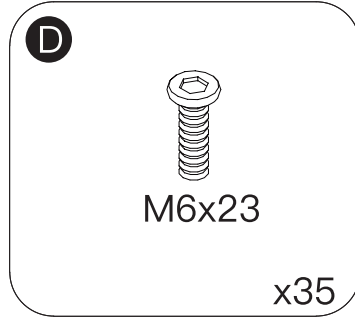
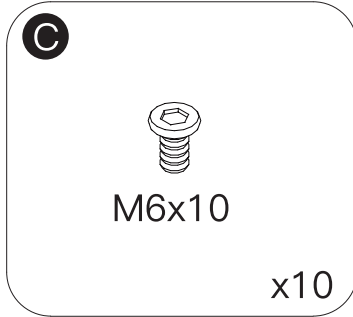
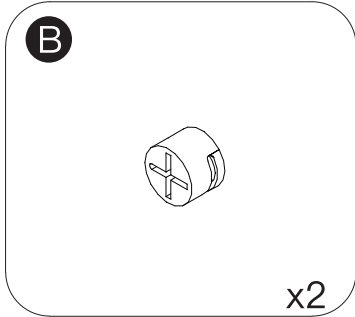
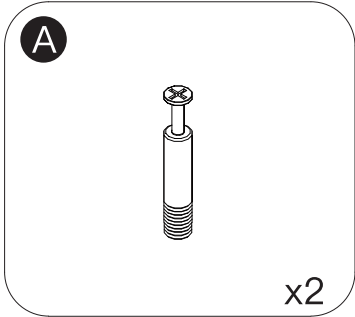
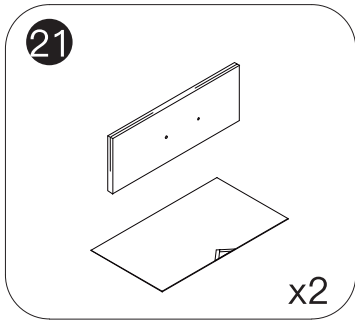
ASSEMBLY INSTRUCTIONS



Please check all parts and accessories according to the parts list before assembling, make sure all contents are sufficient and in good condition. If there is any parts missing or defective, please contact us with purchase platform message immediately to get replacement parts.

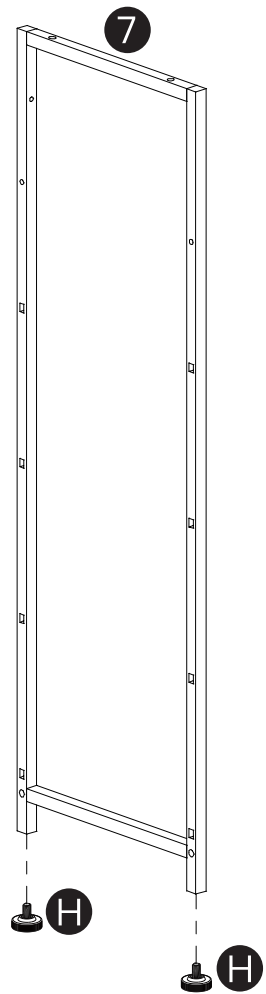
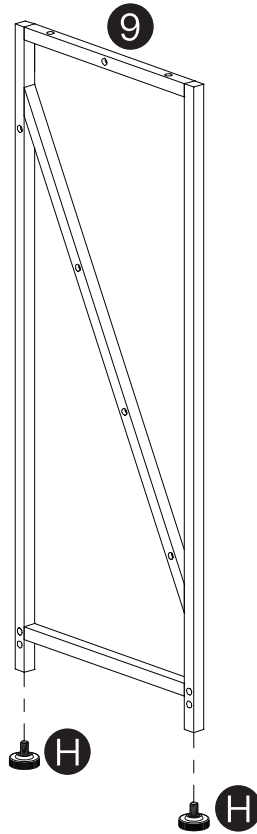
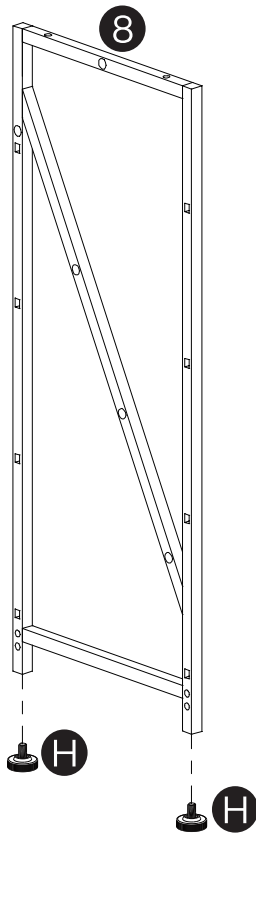
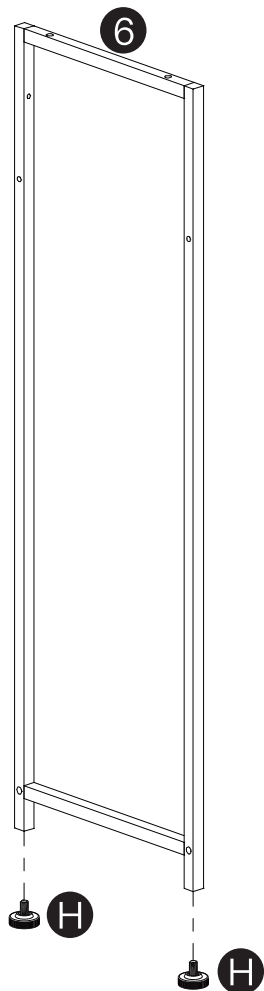
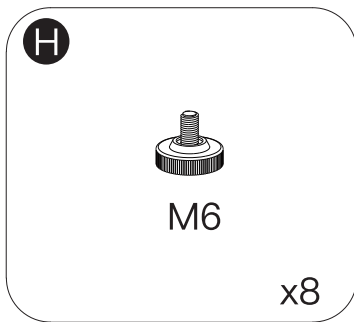
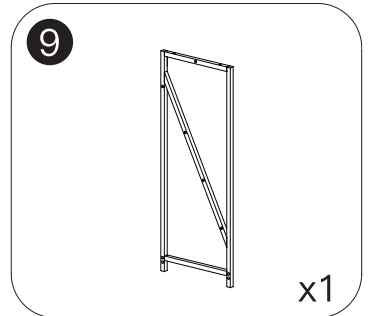
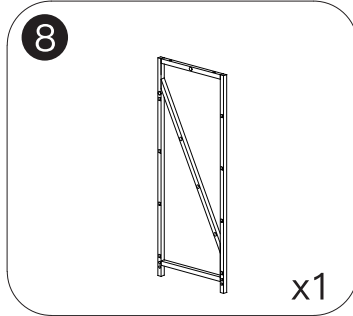
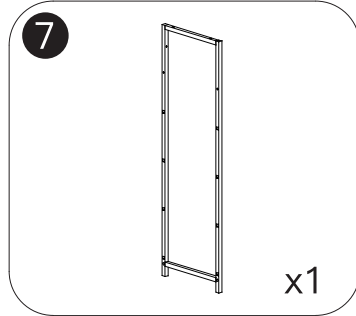
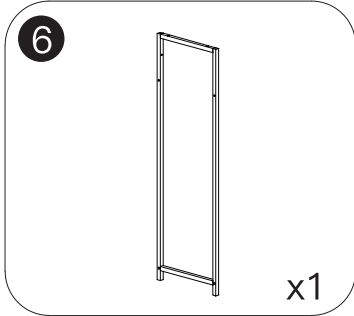
PARTS:



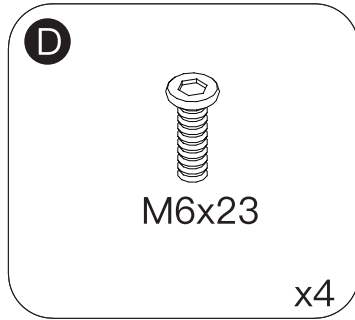
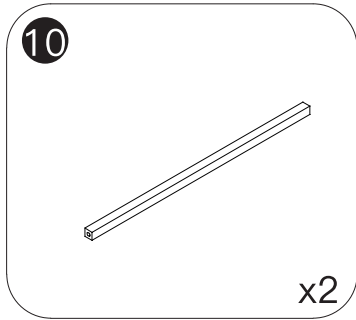


HOW TO INSTALL

STEP 1



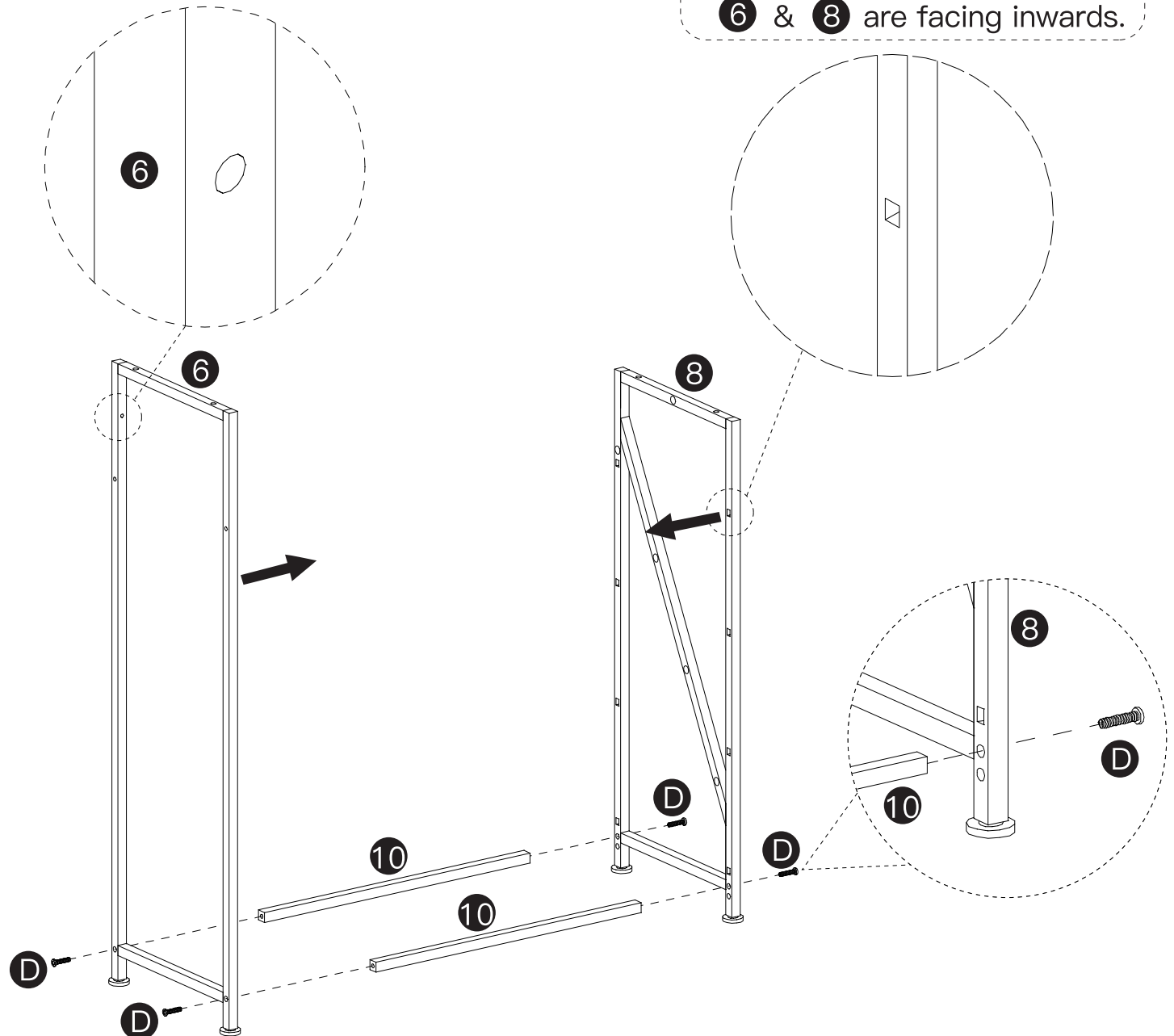
STEP 2



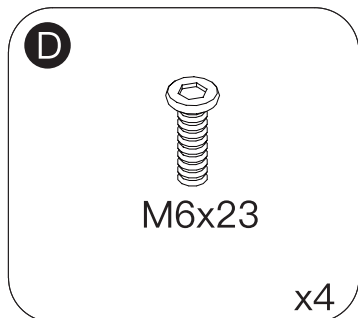
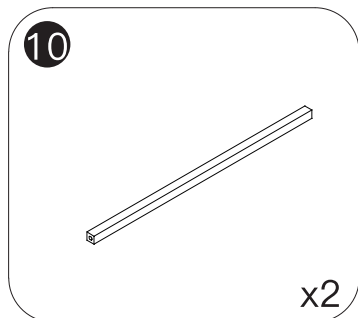
BACK
FRONT

NOTICE:
Make sure the hole position of part 6 is located at the back.

NOTICE:
Make sure square holes of part 6 & 8 are facing inwards.



STEP 3



BACK



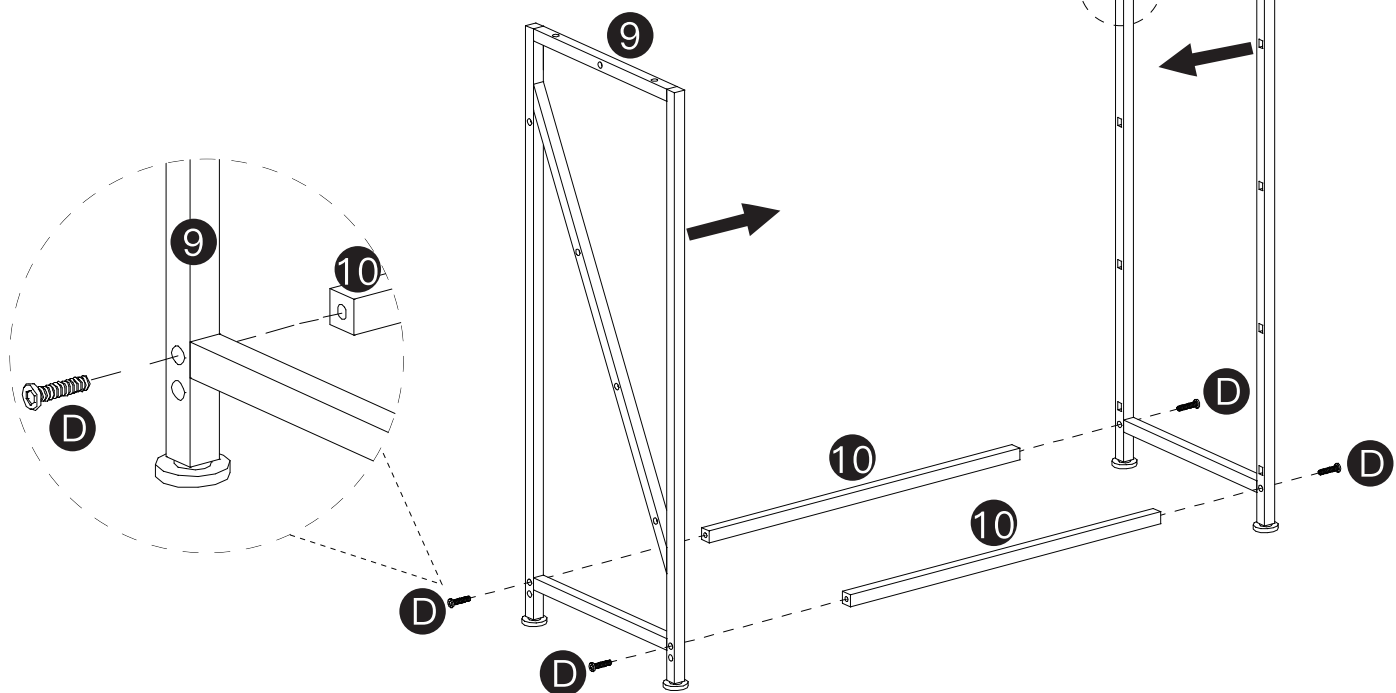
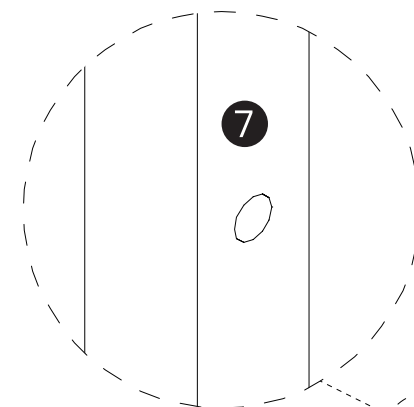
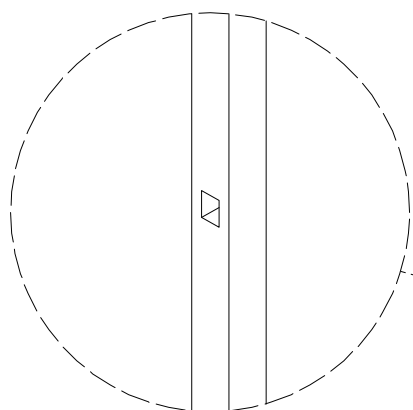
FRONT

NOTICE:

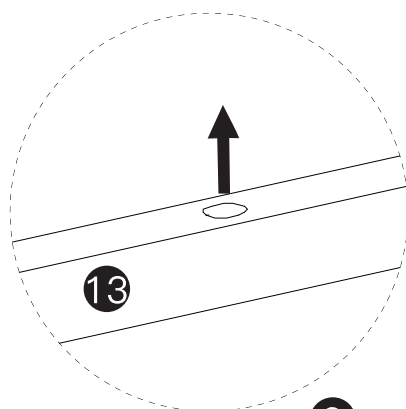
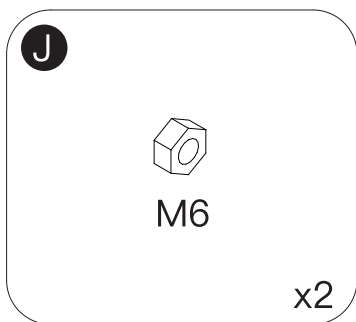
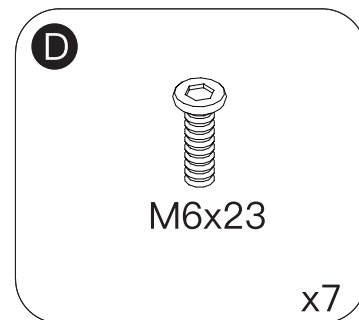
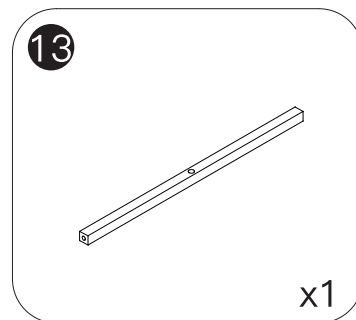
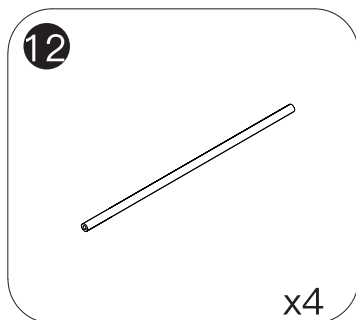
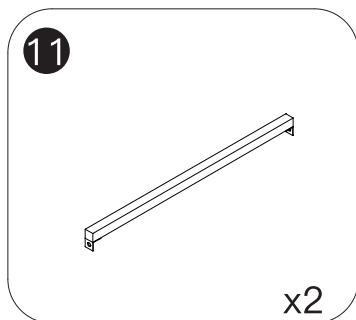
Make sure the hole position of part 7 is located at the back.

NOTICE:

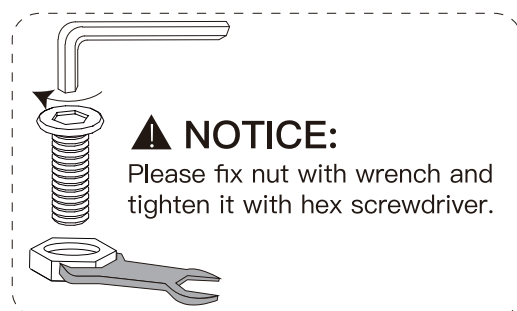
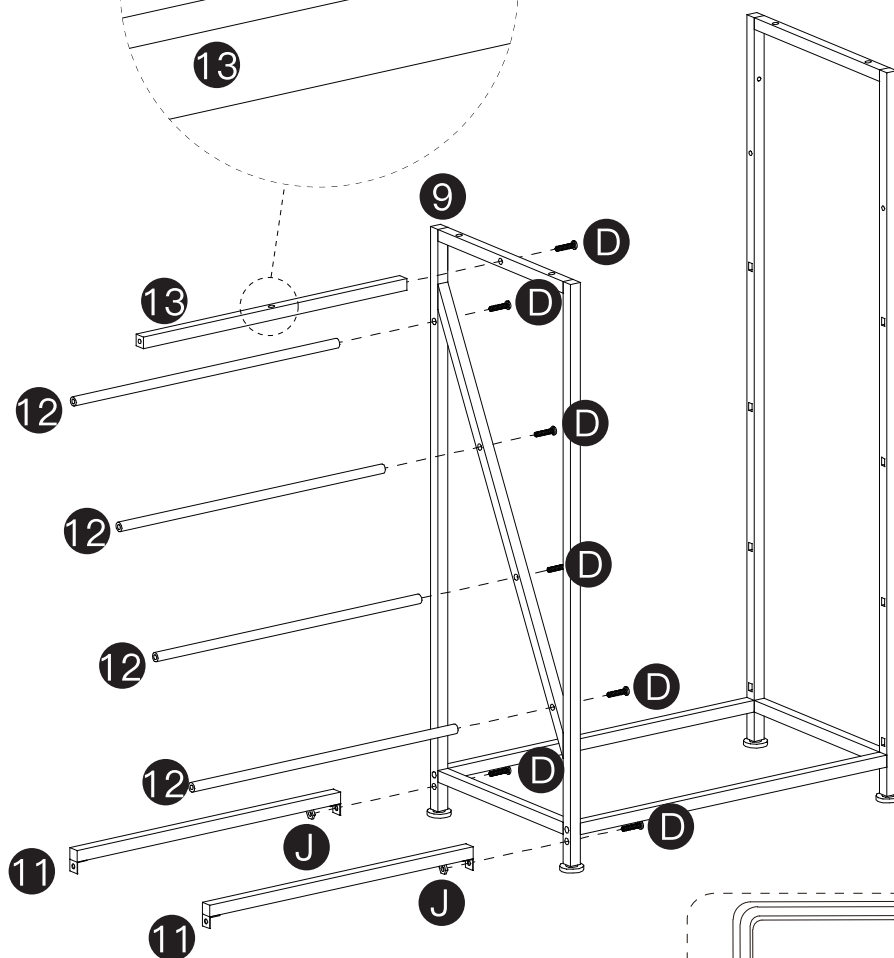
Make sure square holes of part 7 & 9 are facing inwards.



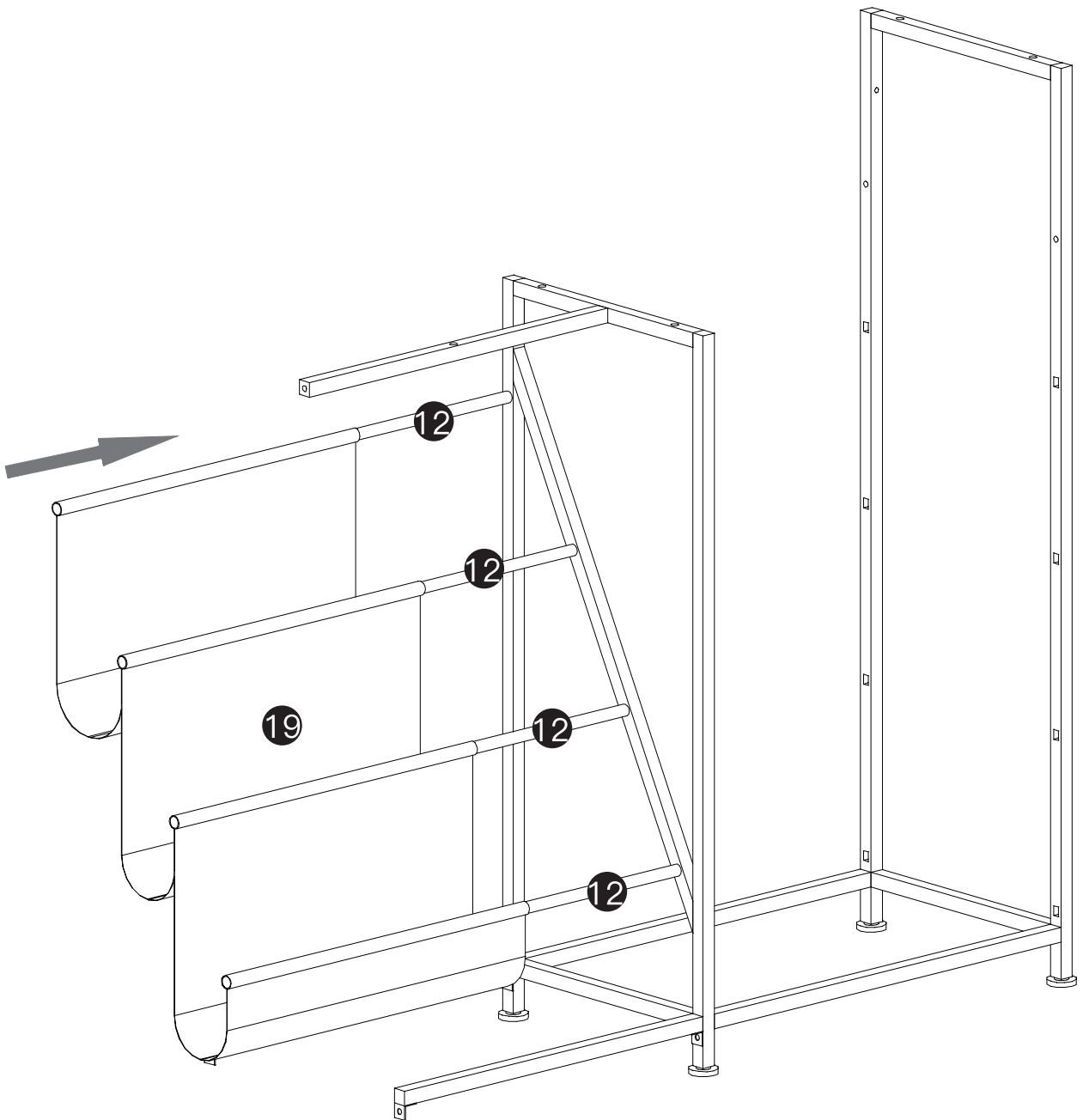
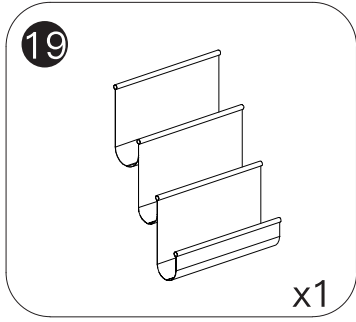
STEP 4



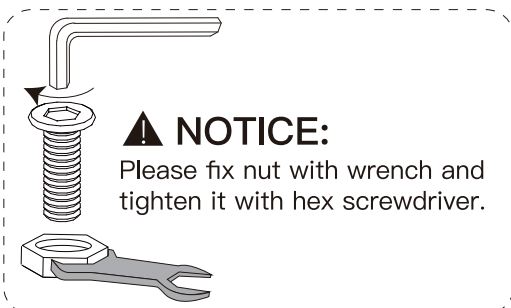
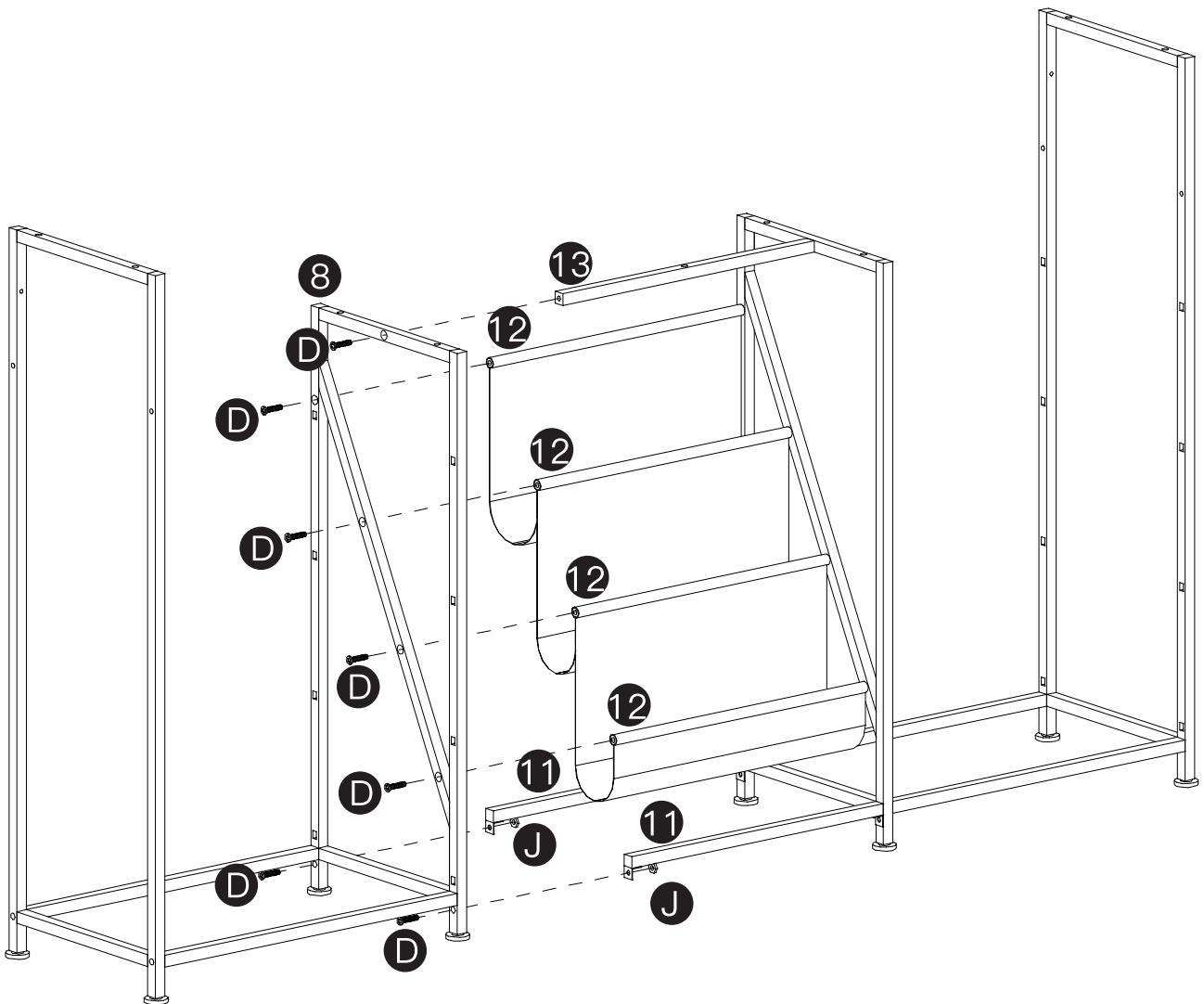
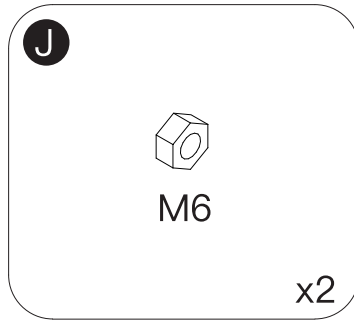
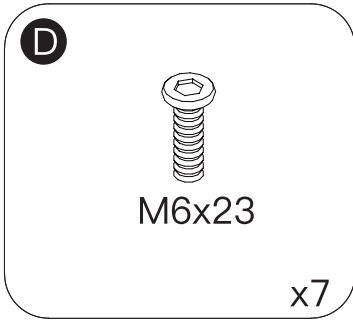
NOTICE:
Make sure the hole of part 13 is facing upwards.



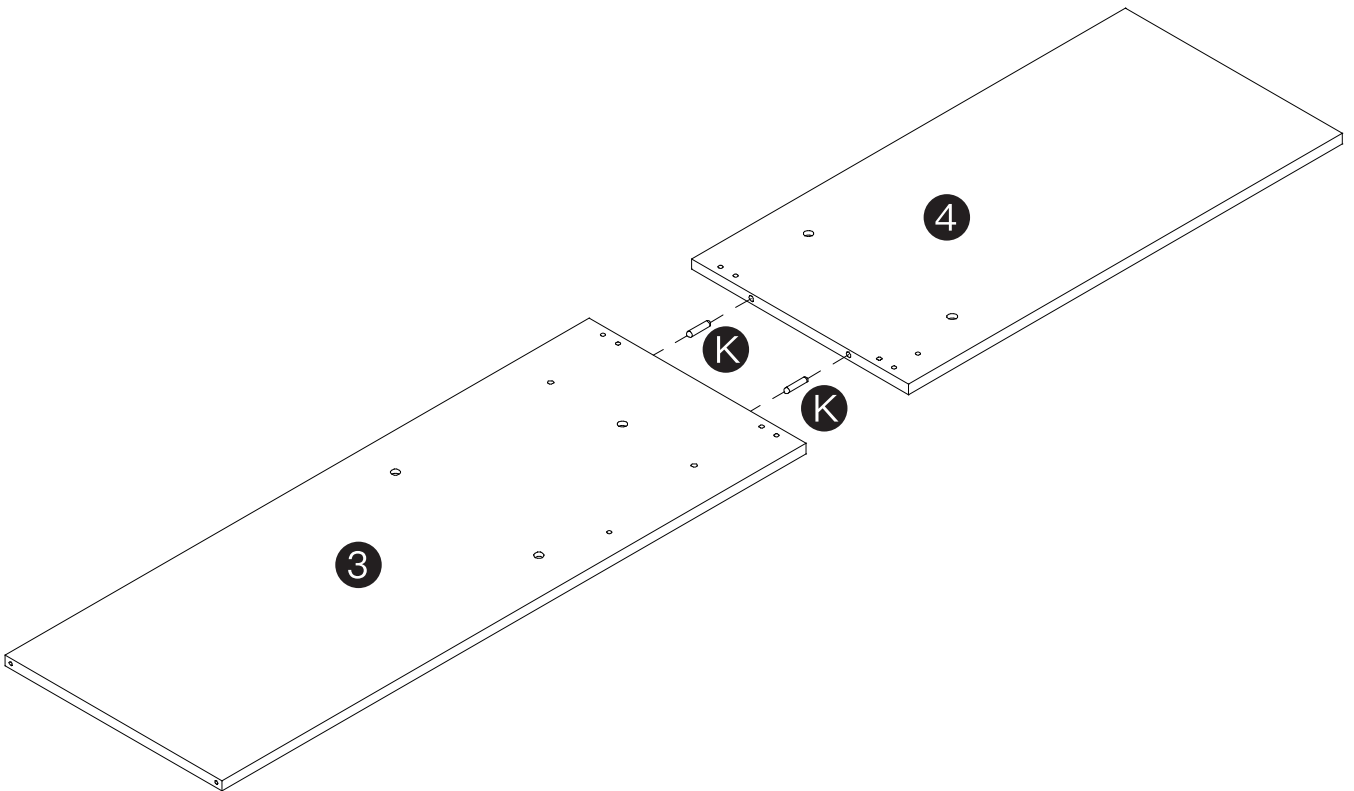
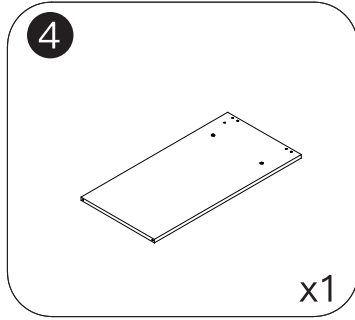
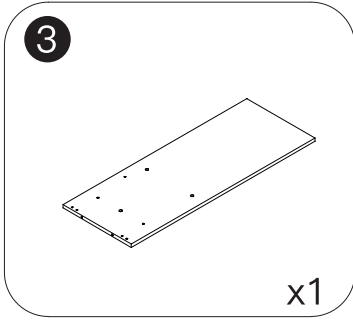
STEP 5



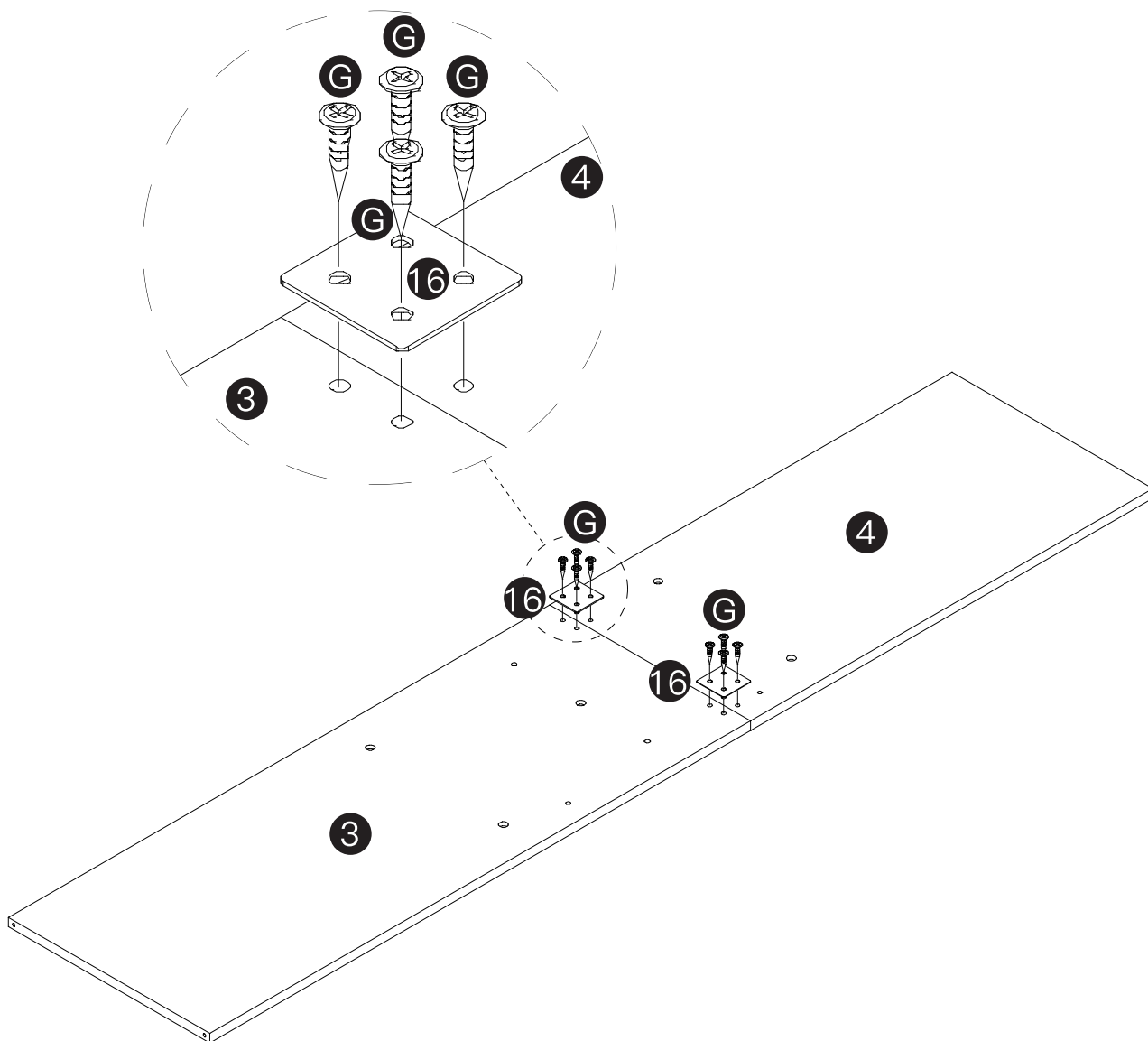
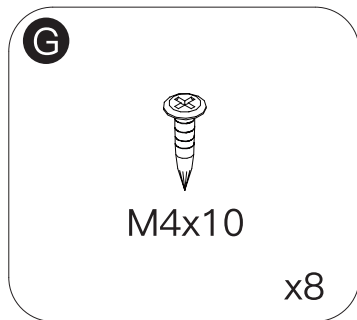
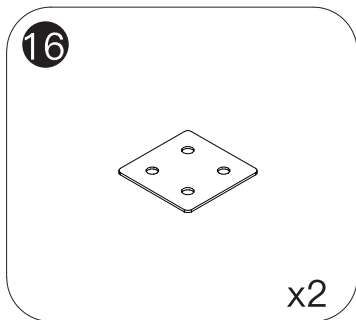
STEP 6



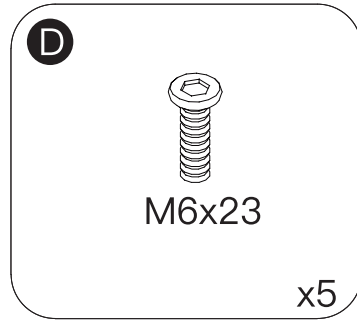
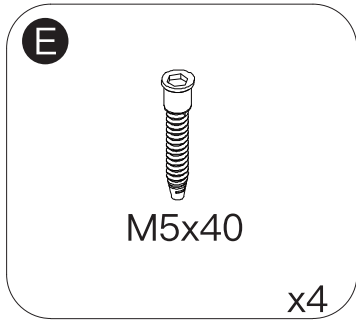
STEP 7



STEP 8

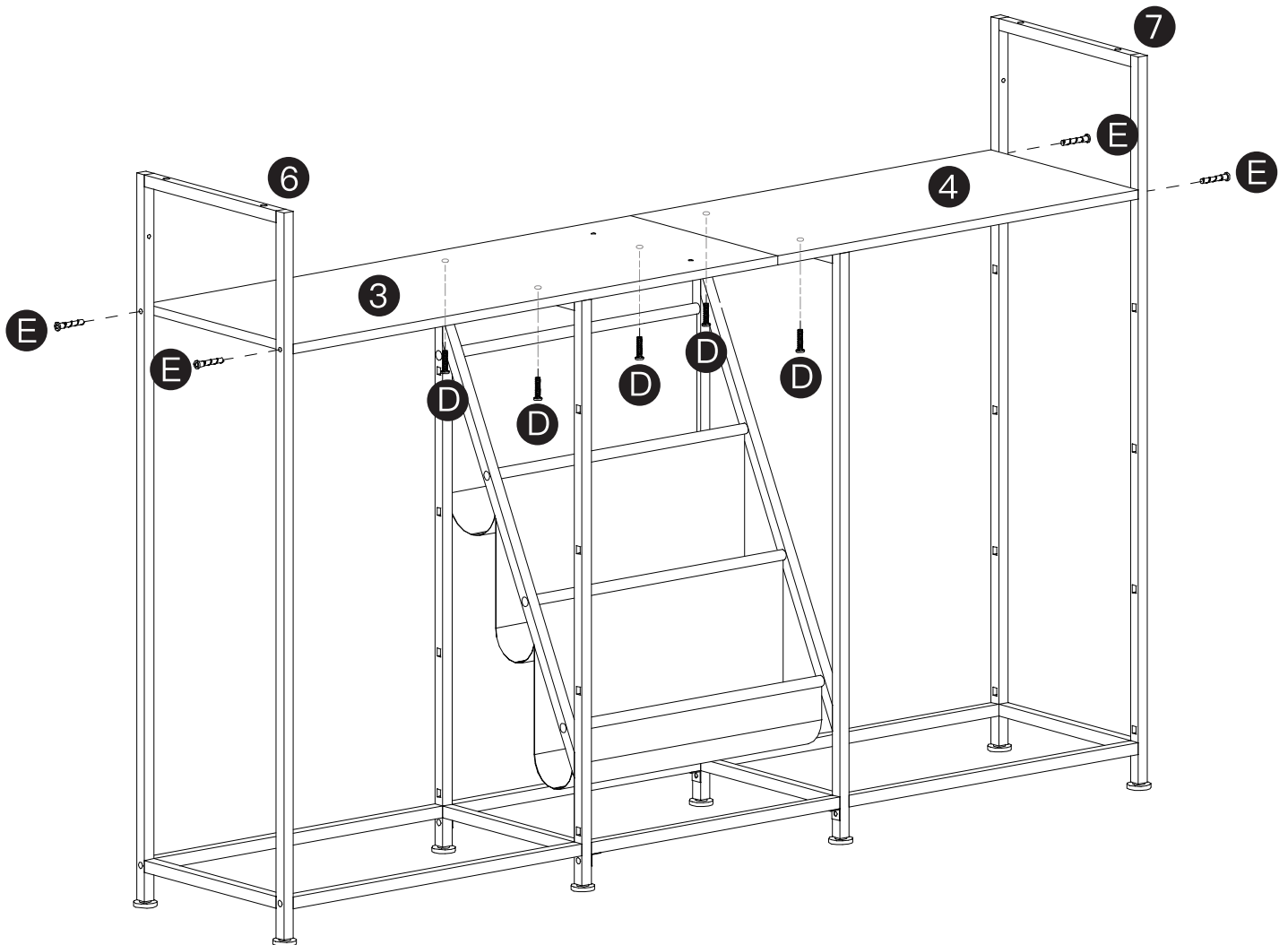


STEP 9

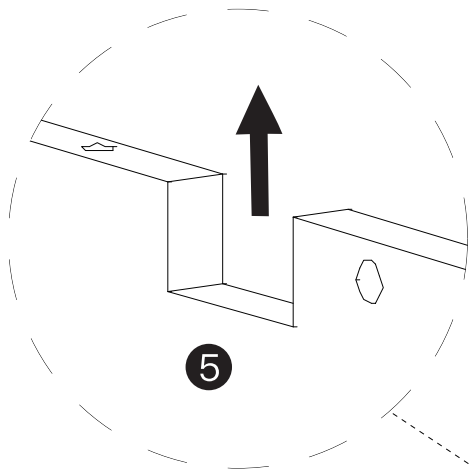
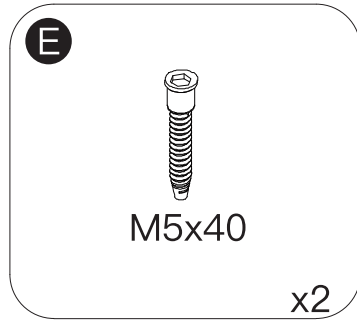
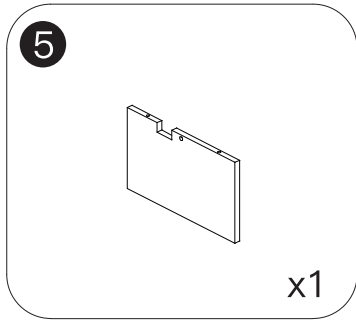


NOTICE:

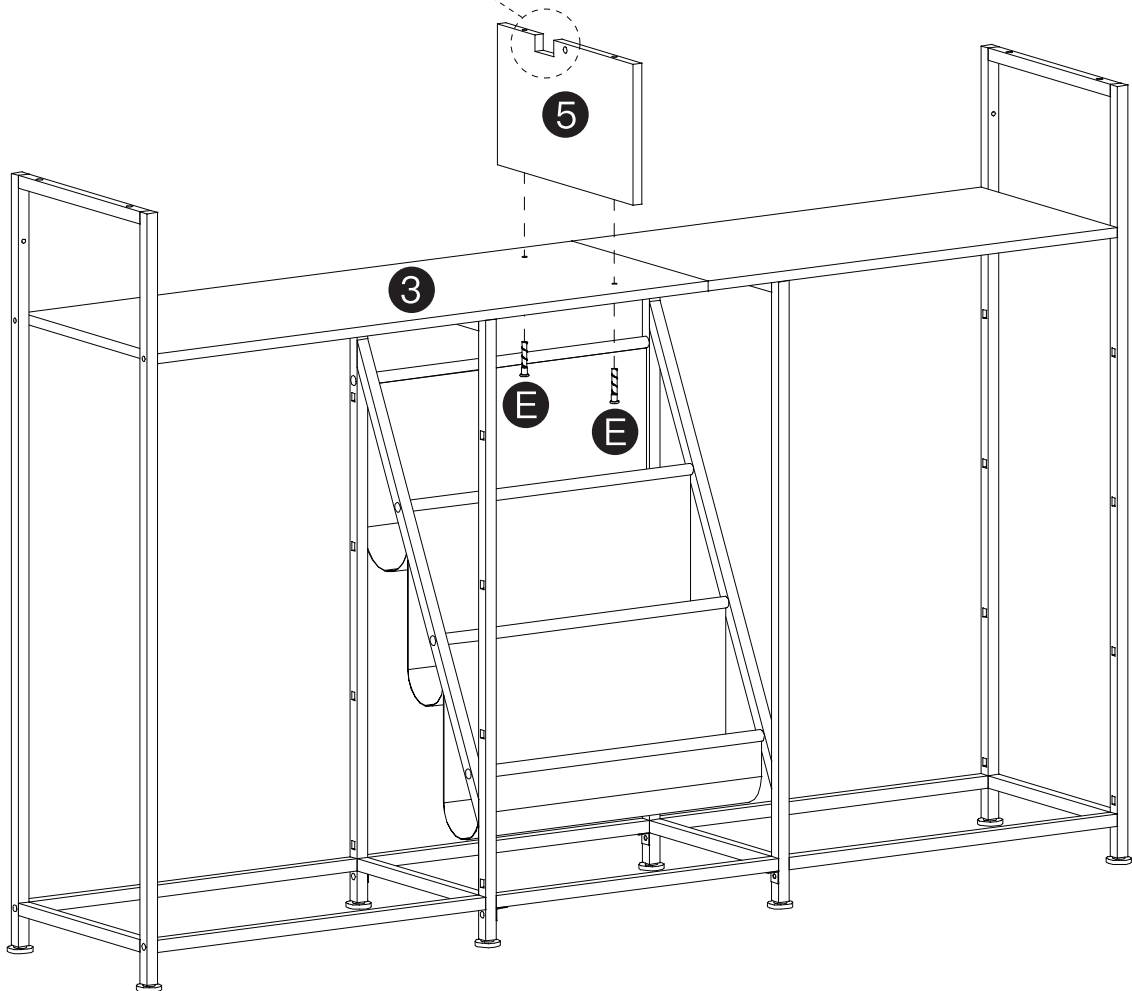
Make sure the part **3** & **4** are lifted on the same horizontal line to prevent wooden cork from breaking.



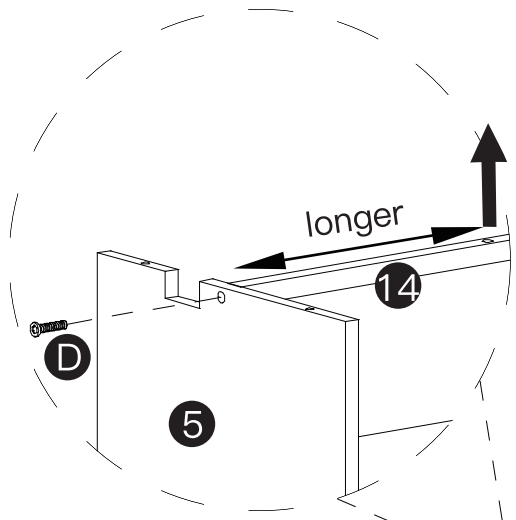
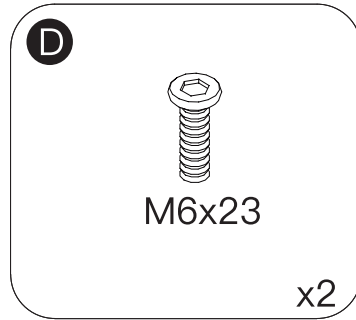
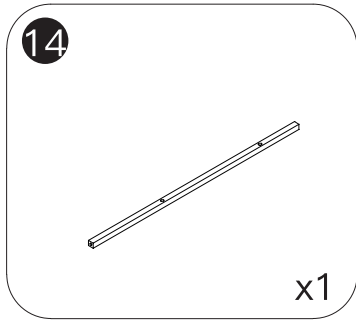
STEP 10



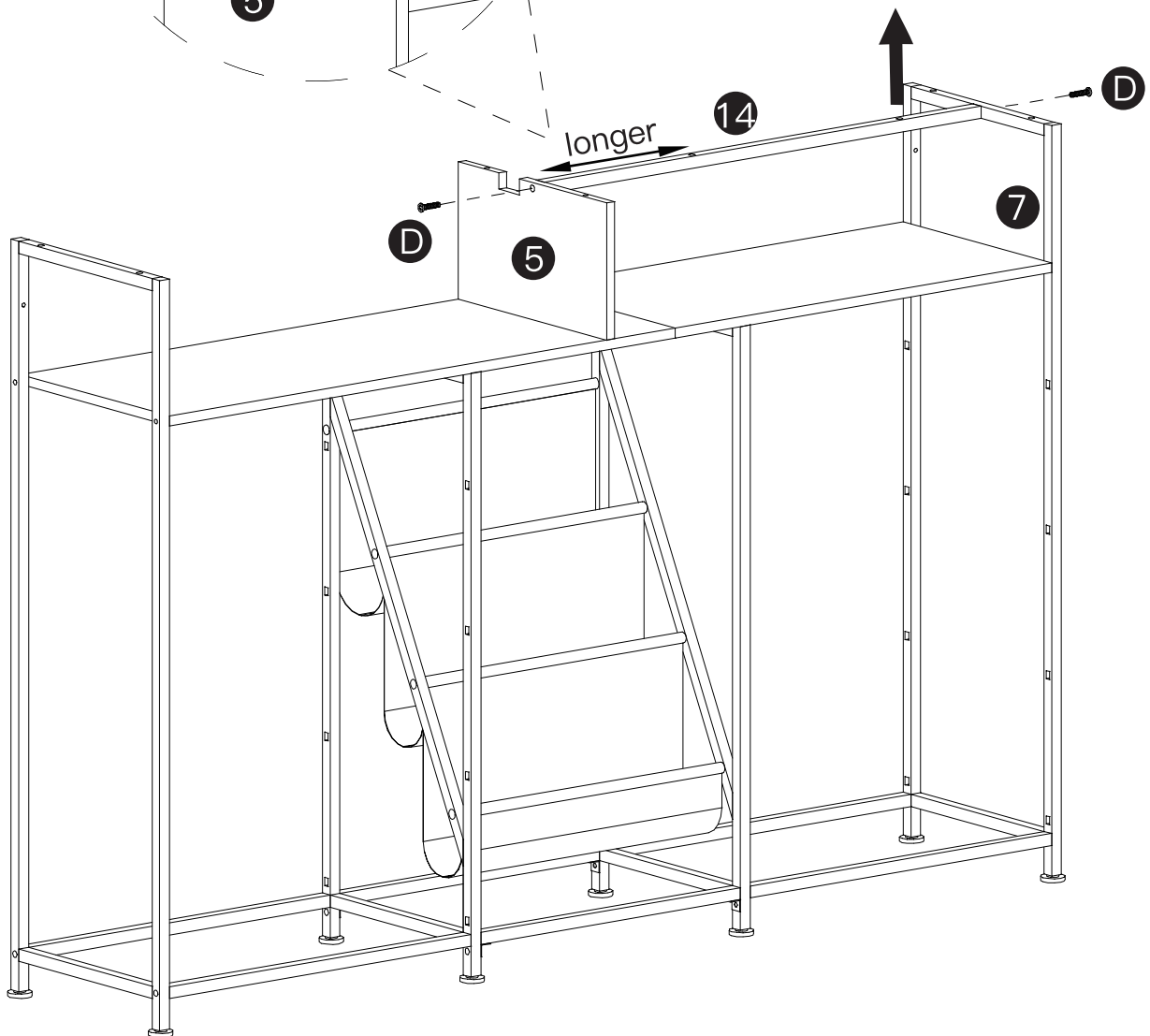
NOTICE:
Make sure the groove of part
5 is facing upwards.



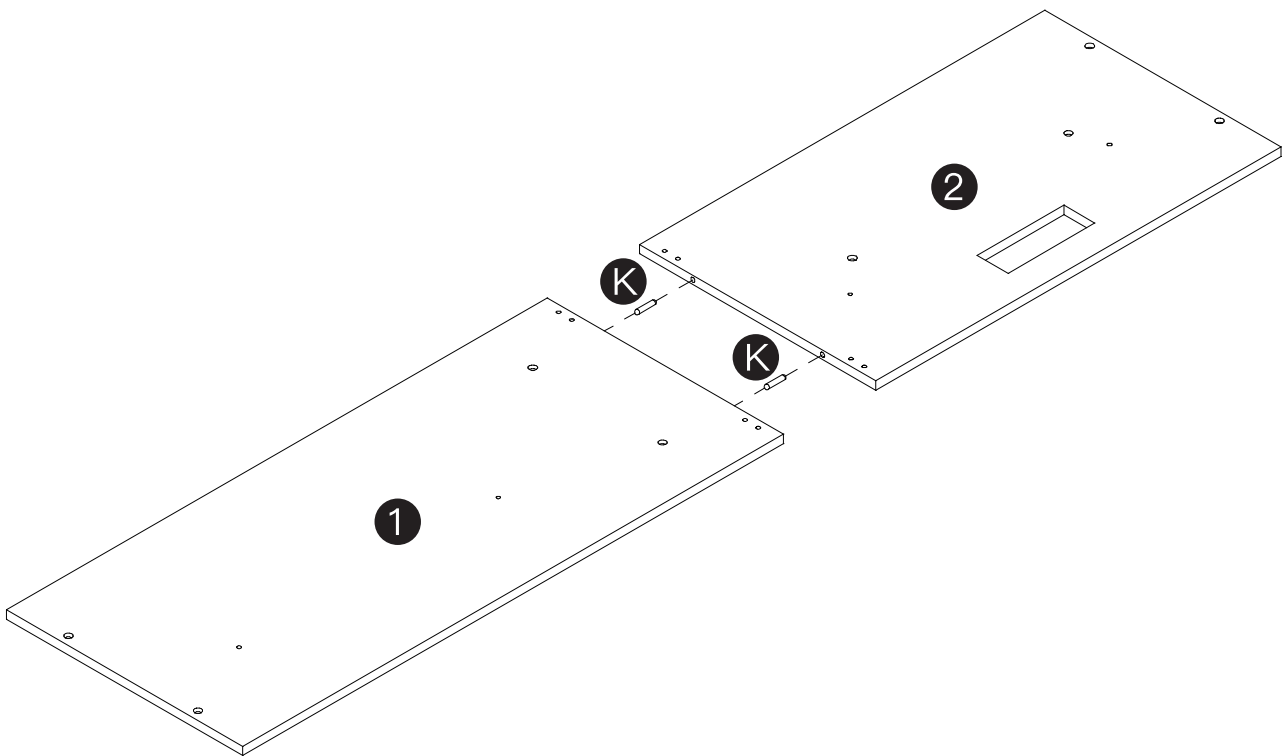
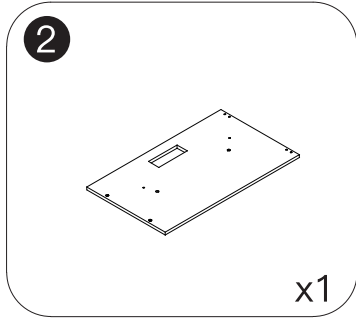
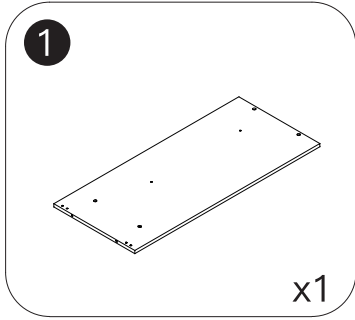
STEP 11



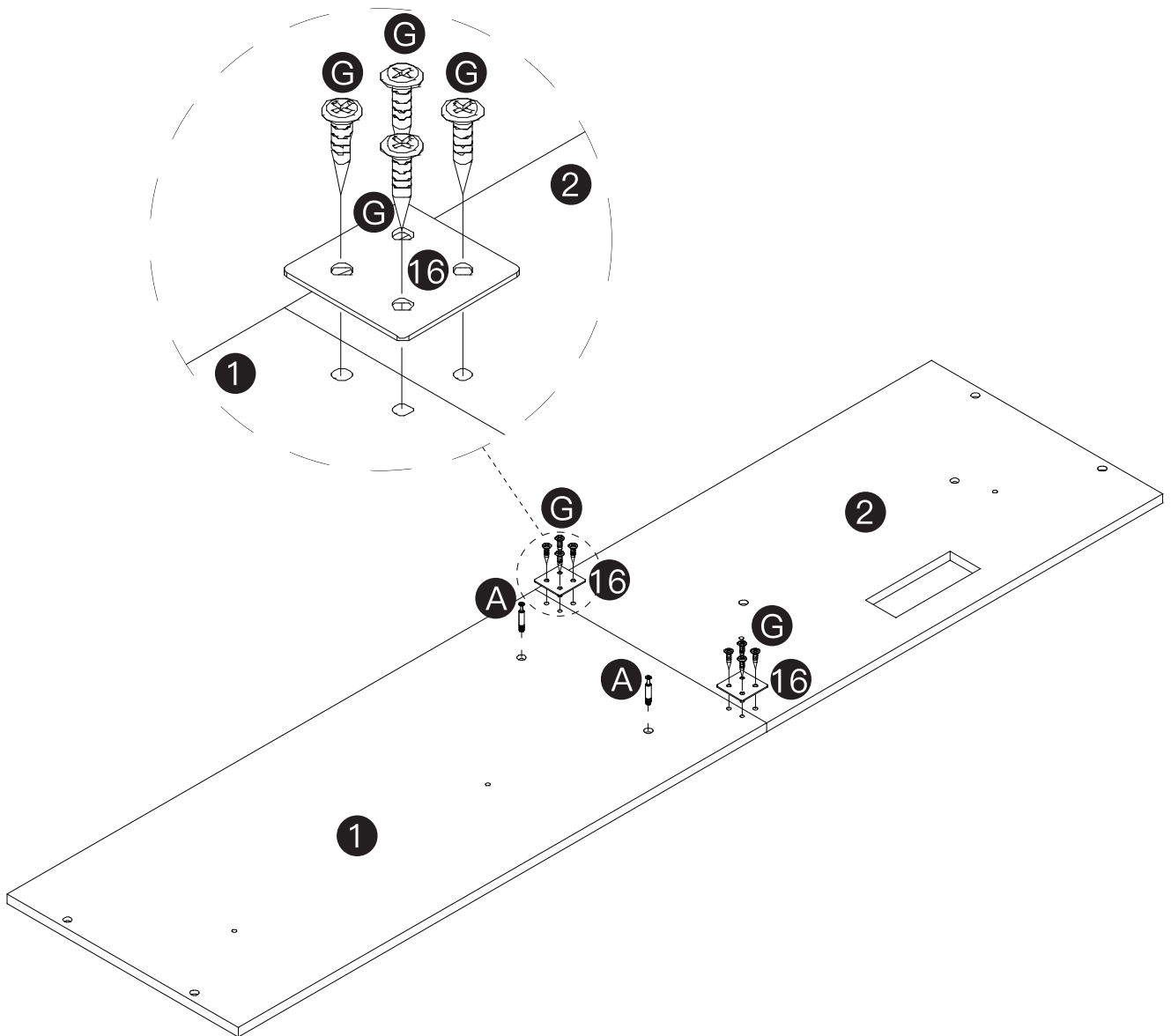
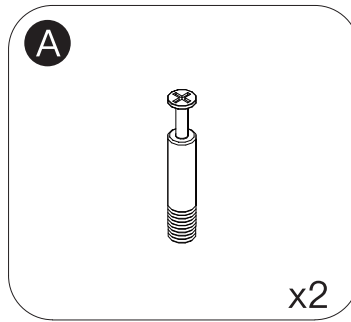
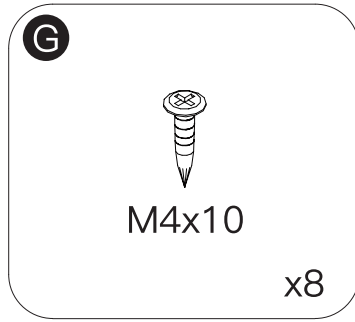
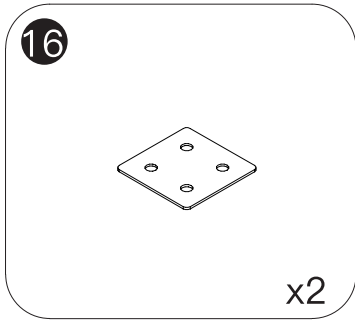
NOTICE:
Make sure the holes of part 14 are facing upwards.



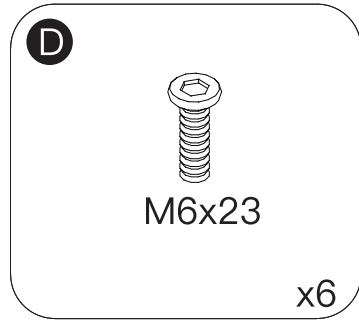
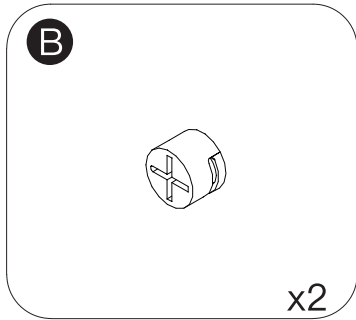
STEP 12



STEP 13

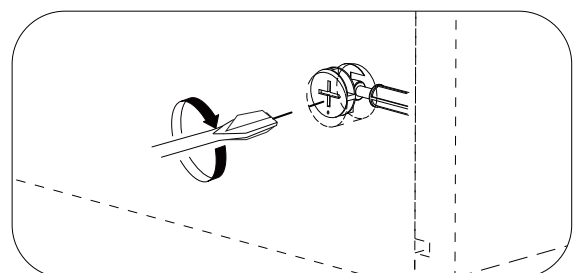
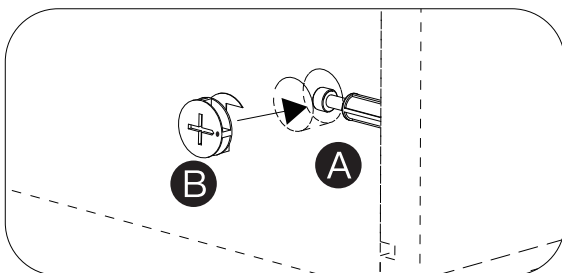
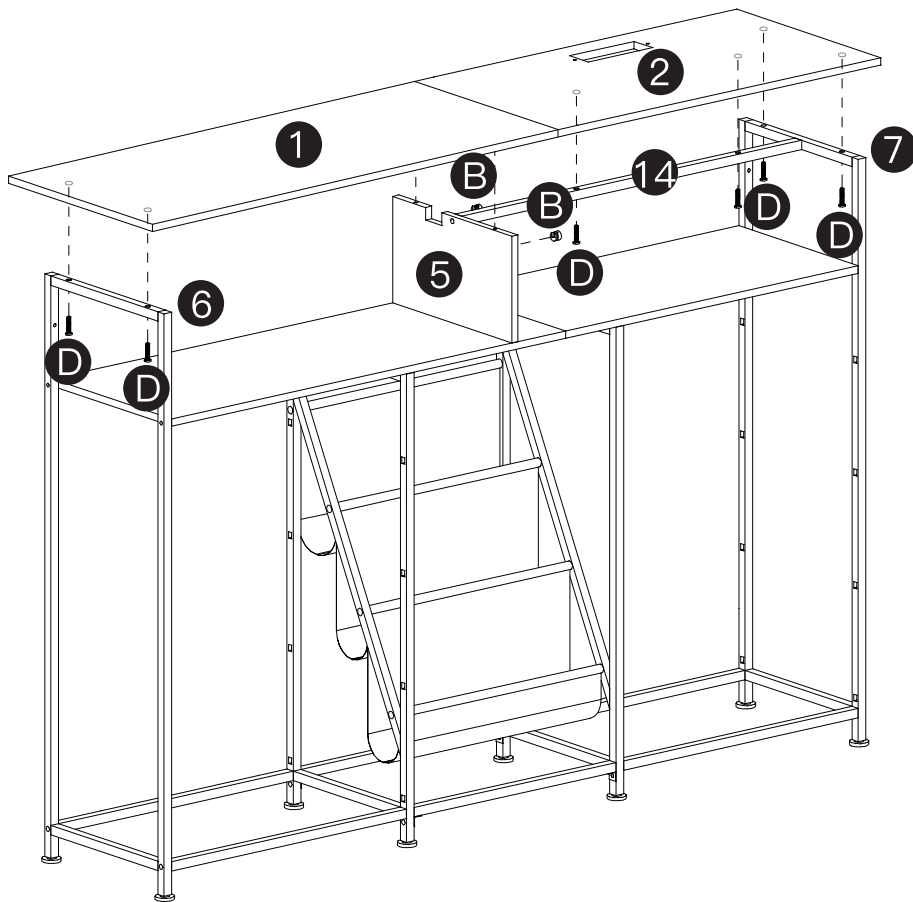


STEP 14



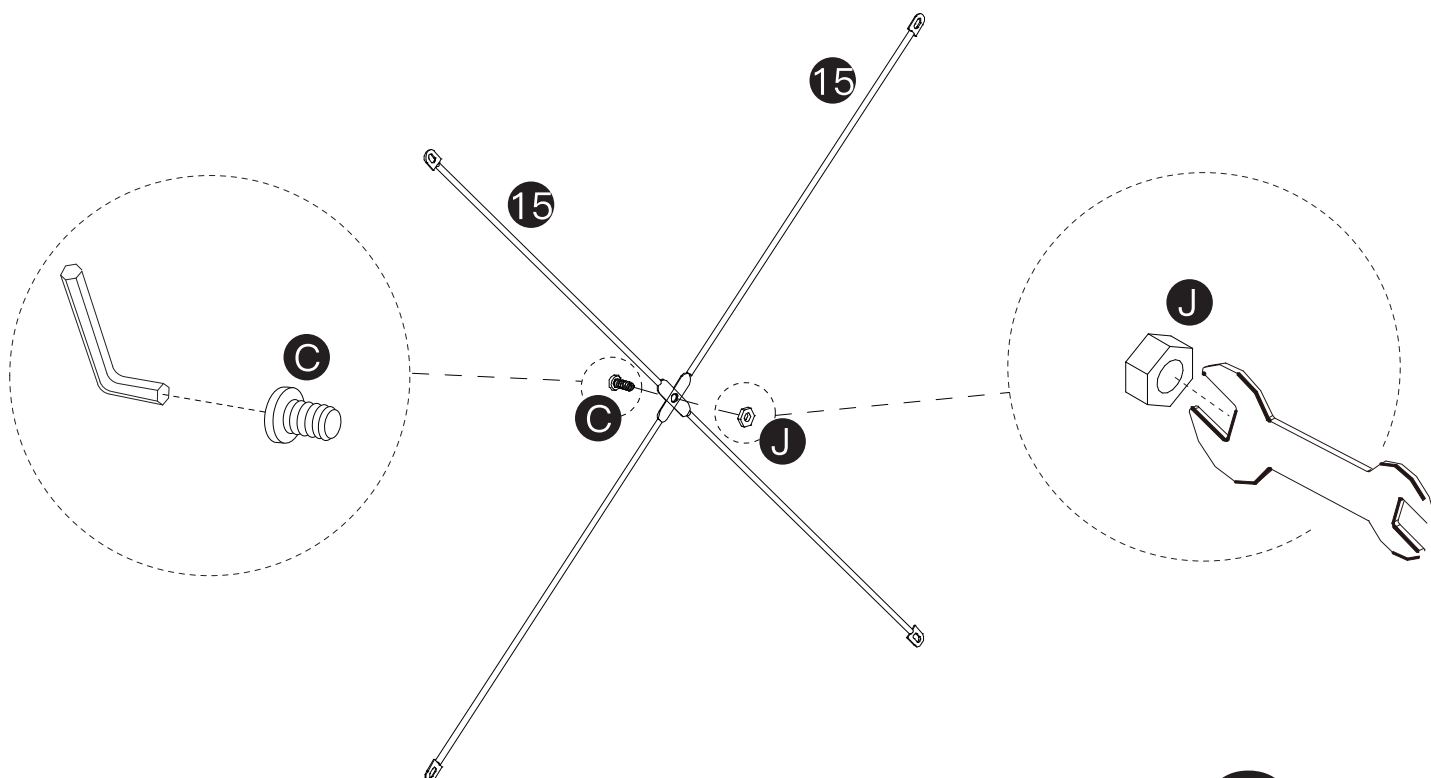
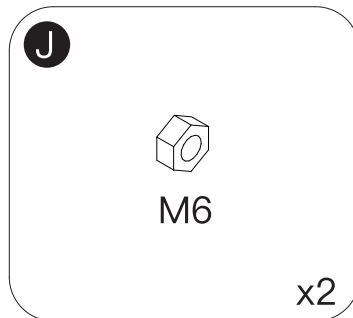
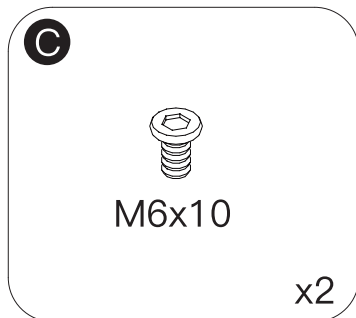
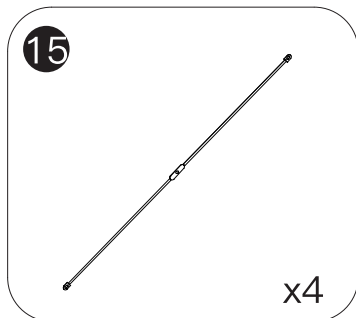
NOTICE:

Make sure the part **1** & **2** are lifted on the same horizontal line to prevent wooden cork from breaking.



Make sure that part A is facing the direction of part B opening. When locking part B, please make sure part A is fully inserted.

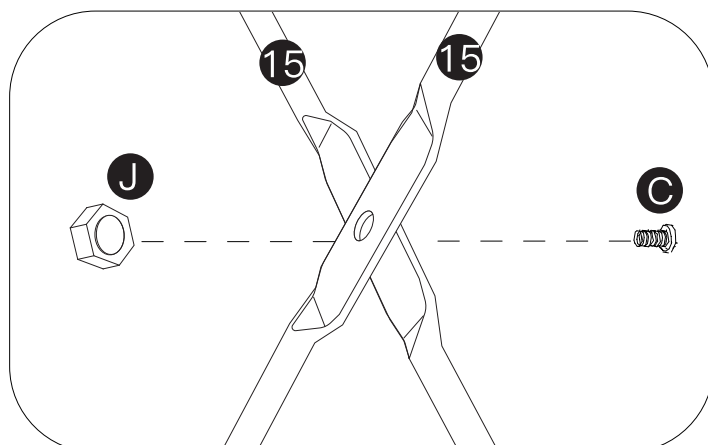
STEP 15



x2

NOTICE:

Part **C** should be installed on the side with dent part of part **15**.



STEP 16

C



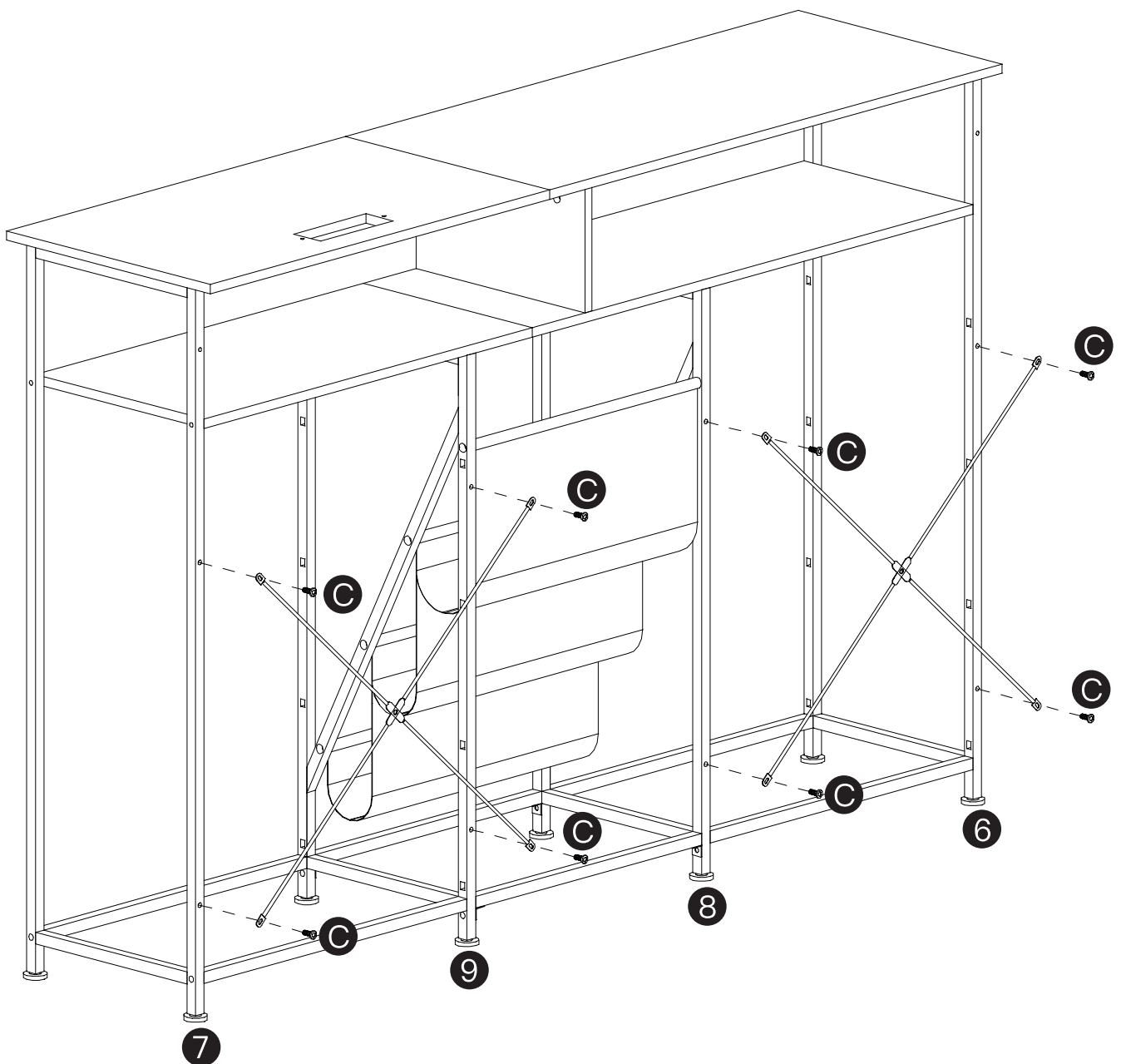
M6x10

x8

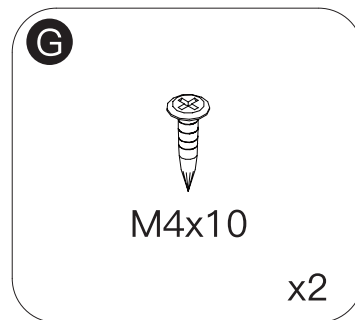
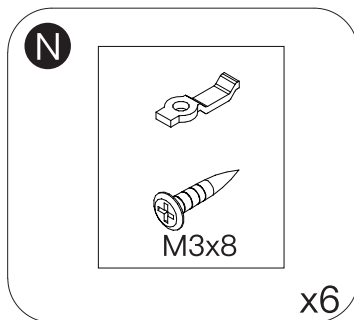
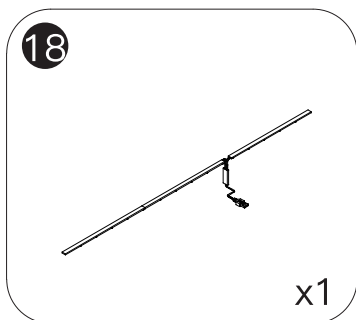
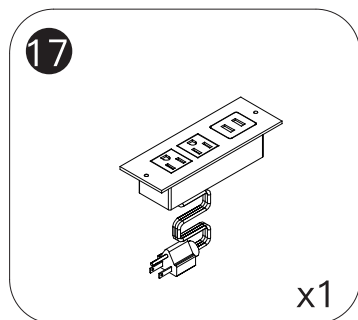
FRONT



BACK



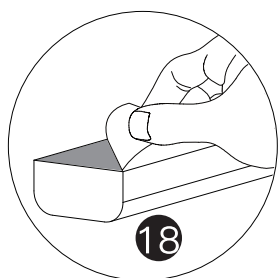
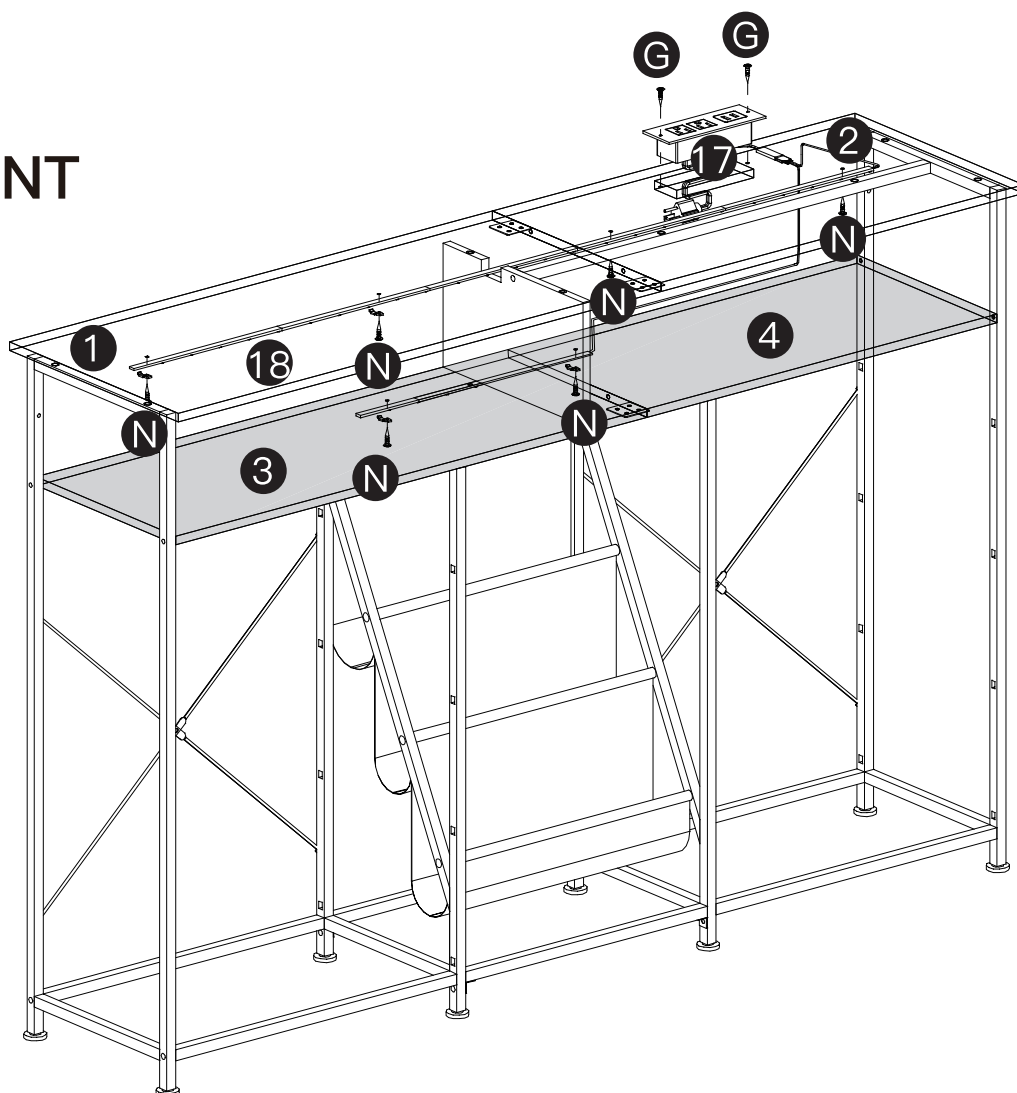
STEP 17



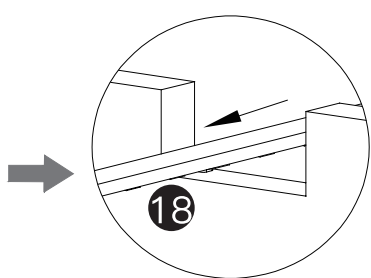
BACK



FRONT



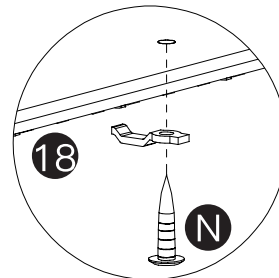
Remove the film.



Thread the light strip through the groove.

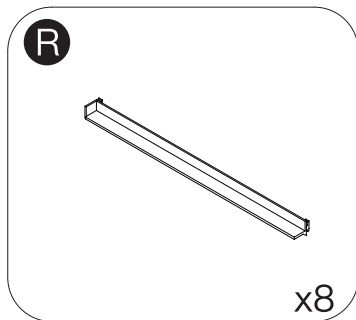
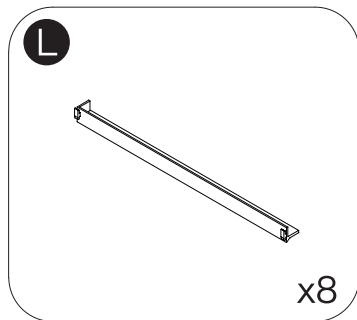


Stick the light strip on the back of the board.



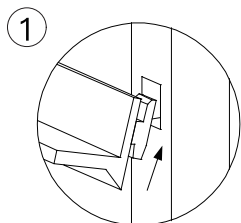
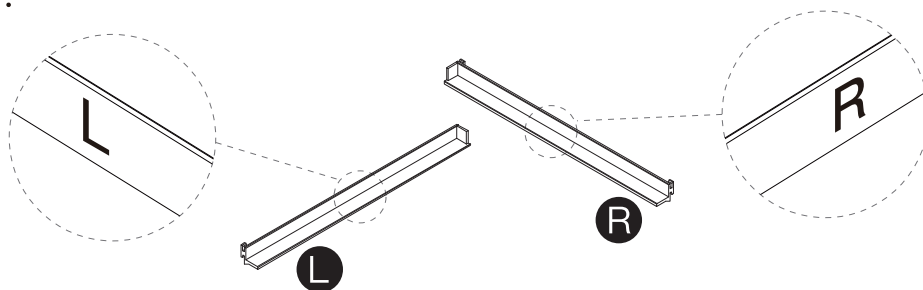
Secure the light strip with holder.

STEP 18

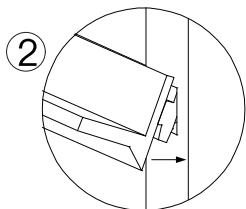


NOTICE:

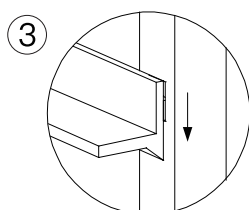
1. Do not tighten the screws until all of them are in right position.
2. There's a corresponding L and R mark on each part located in a specified spot designed to distinguish them from each other easily.



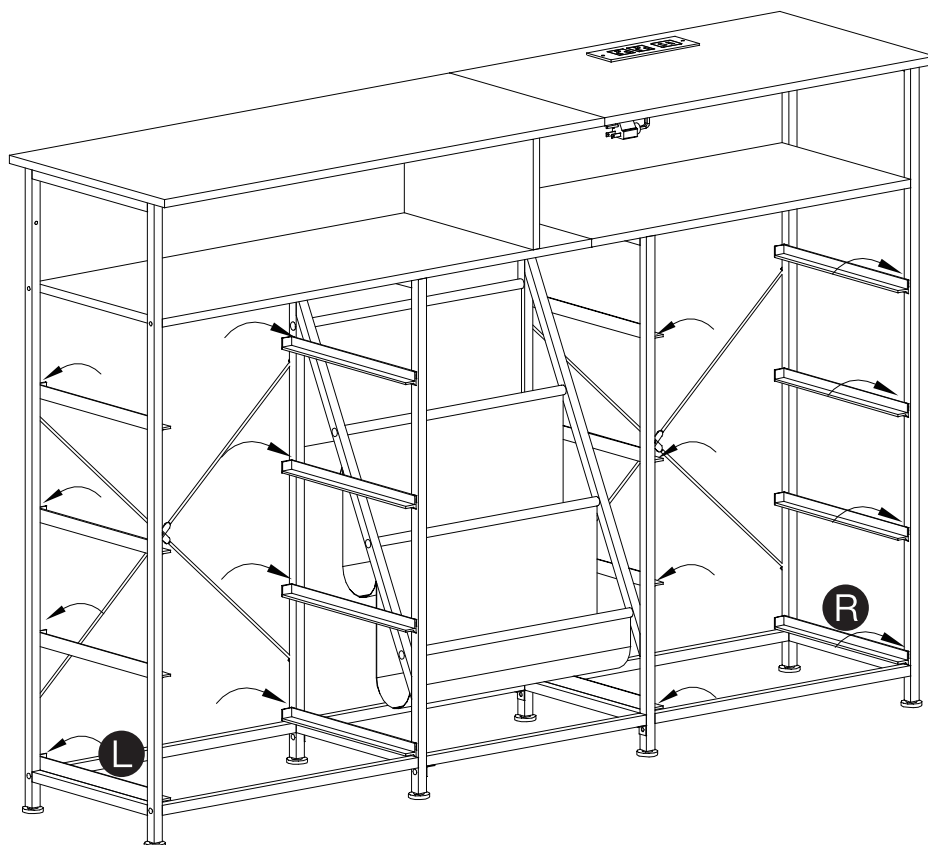
Insert the upper part into the square hole.



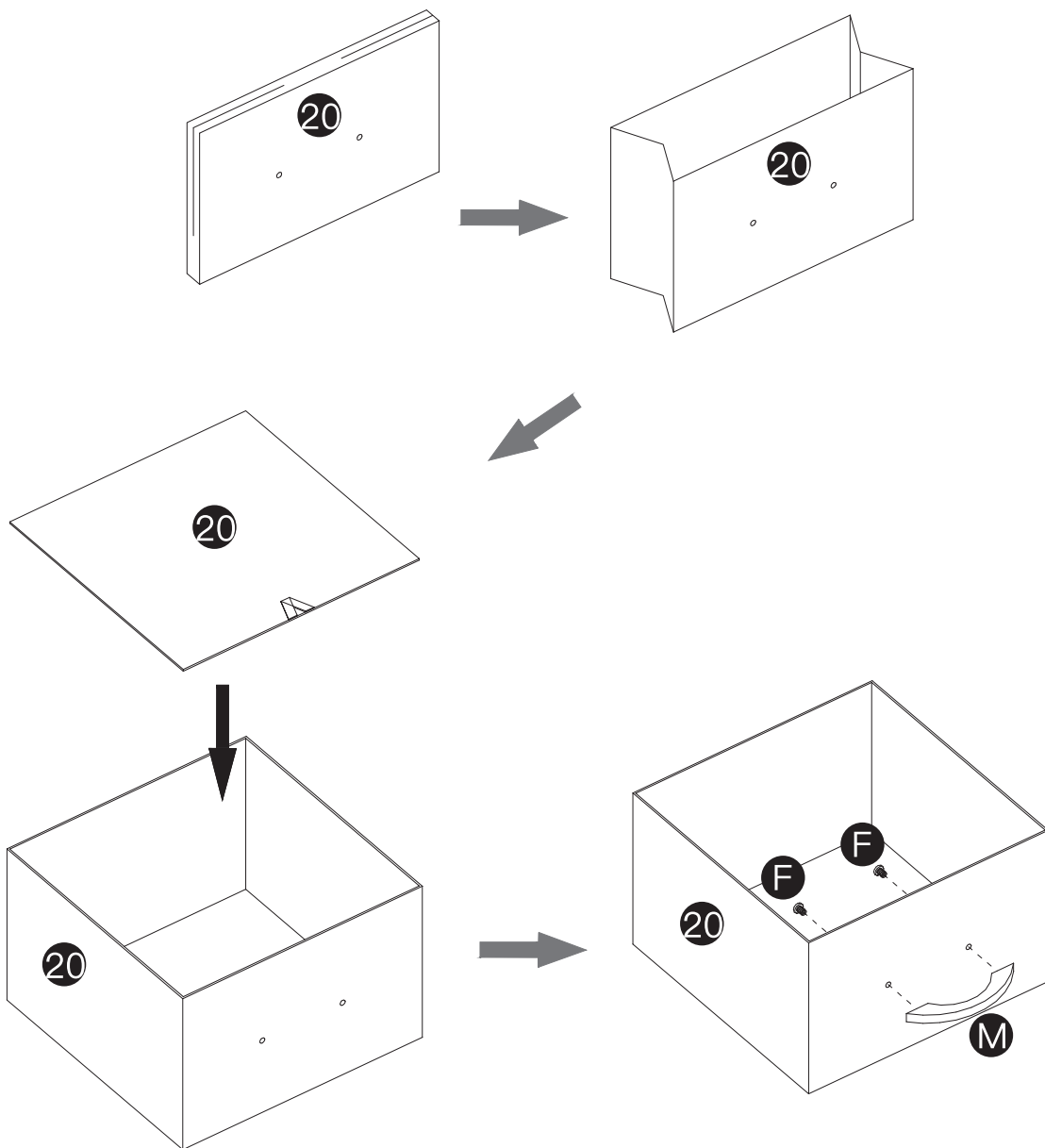
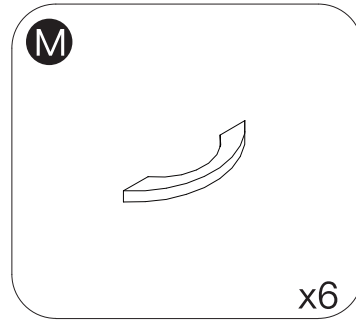
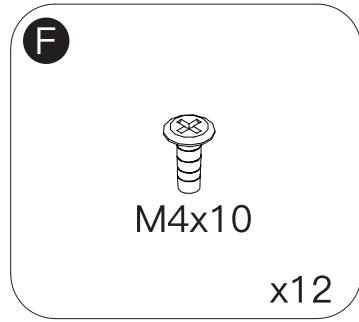
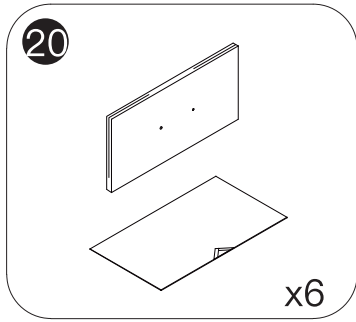
Then insert the rest part horizontally.



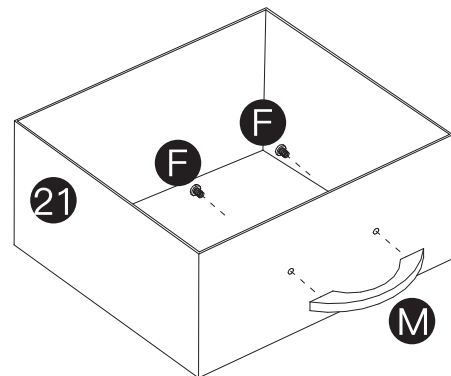
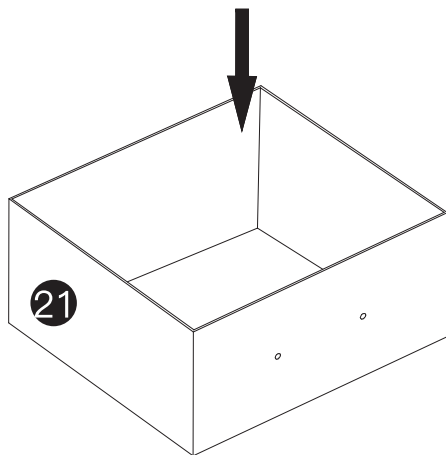
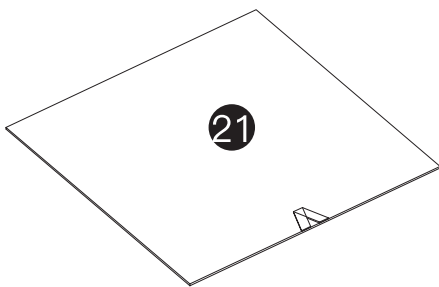
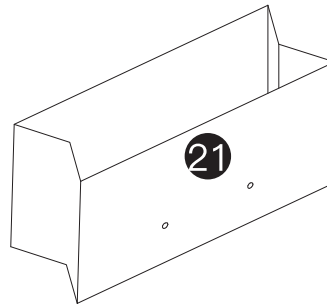
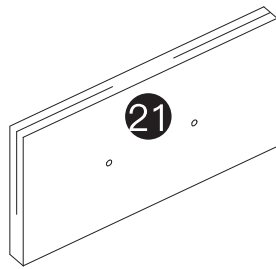
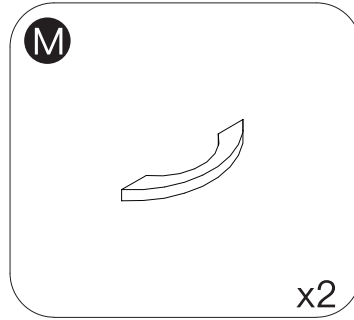
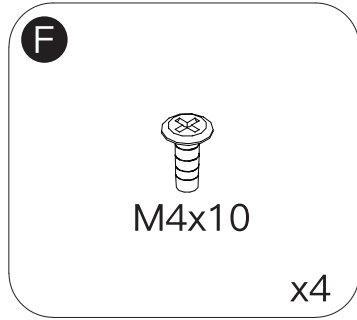
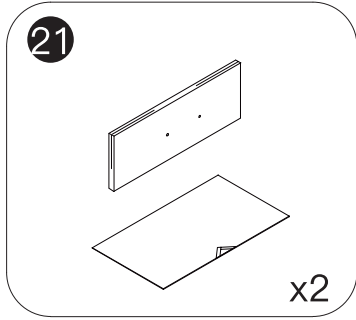
Press down the rail to ensure proper installation.



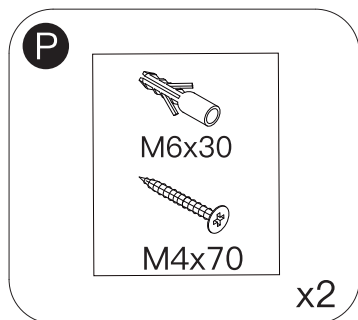
STEP 19



STEP 20



STEP 21

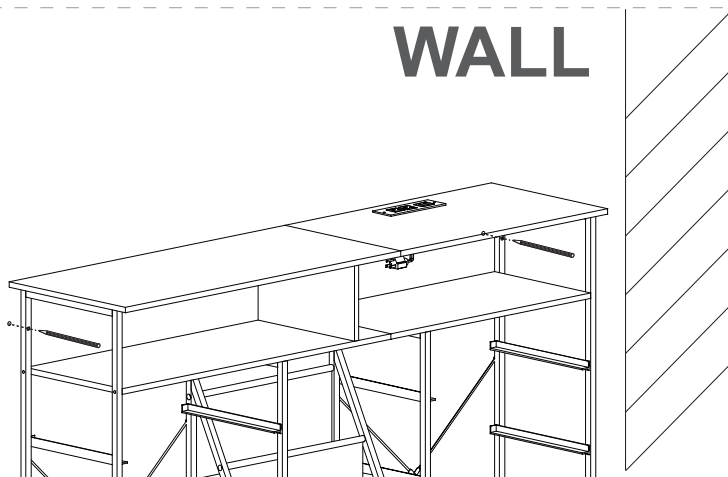


NOTICE

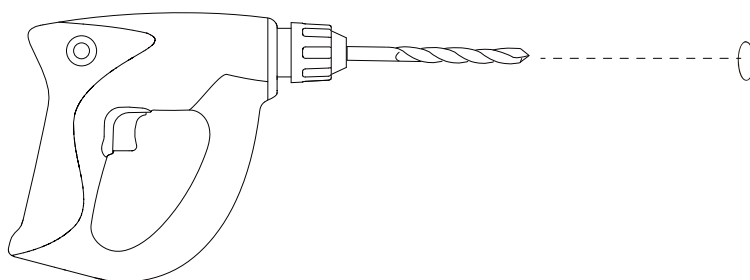
Electric drill and hammer does no tincluded in our parts, please prepare it by yourself.

1

Place the rack against the wall, locate and mark out two holes.



2

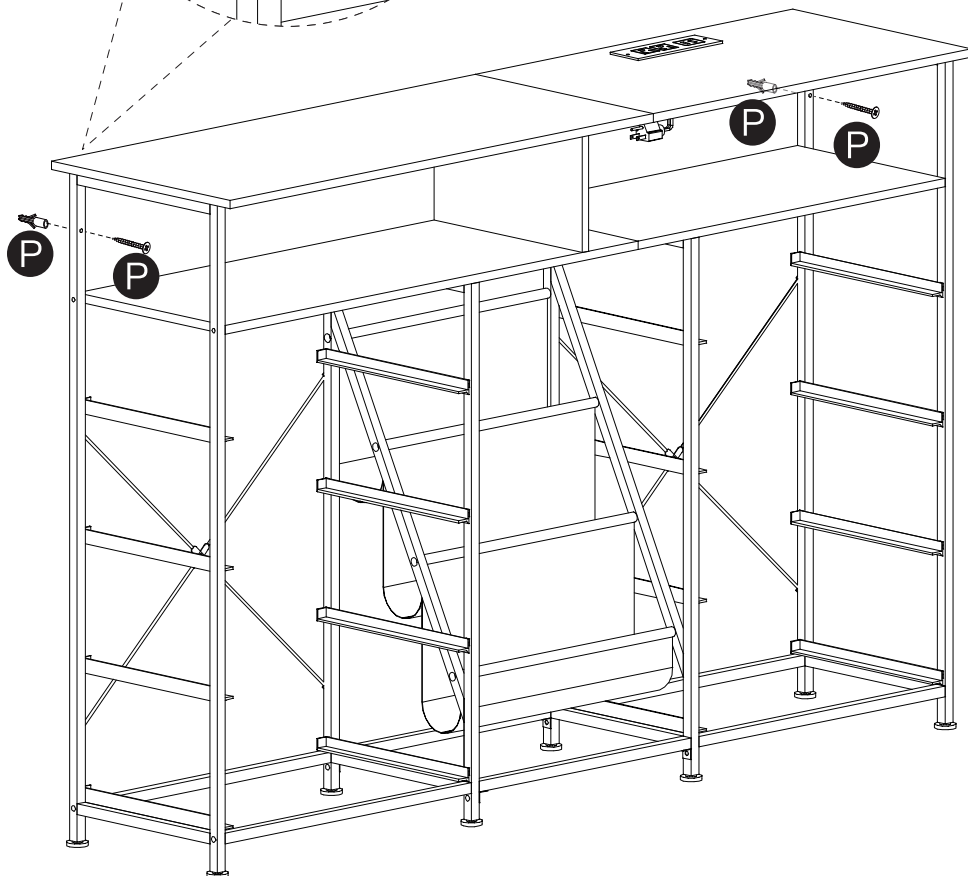
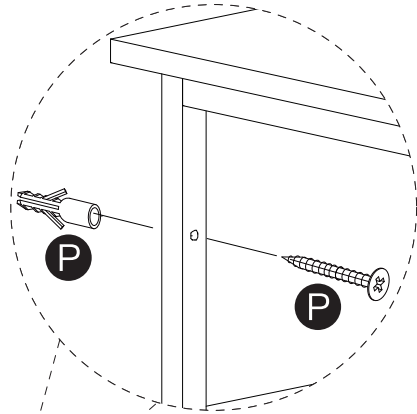
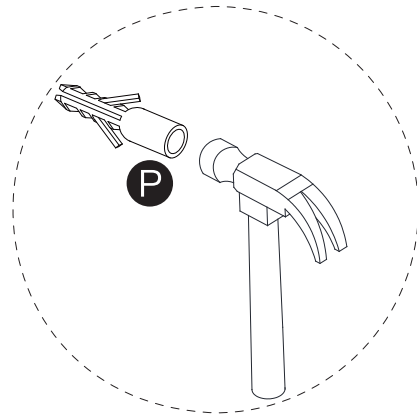
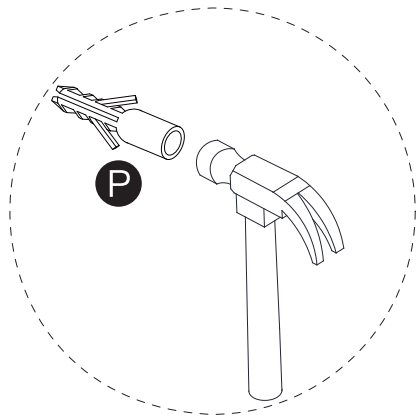


3



4

WALL



STEP 22

