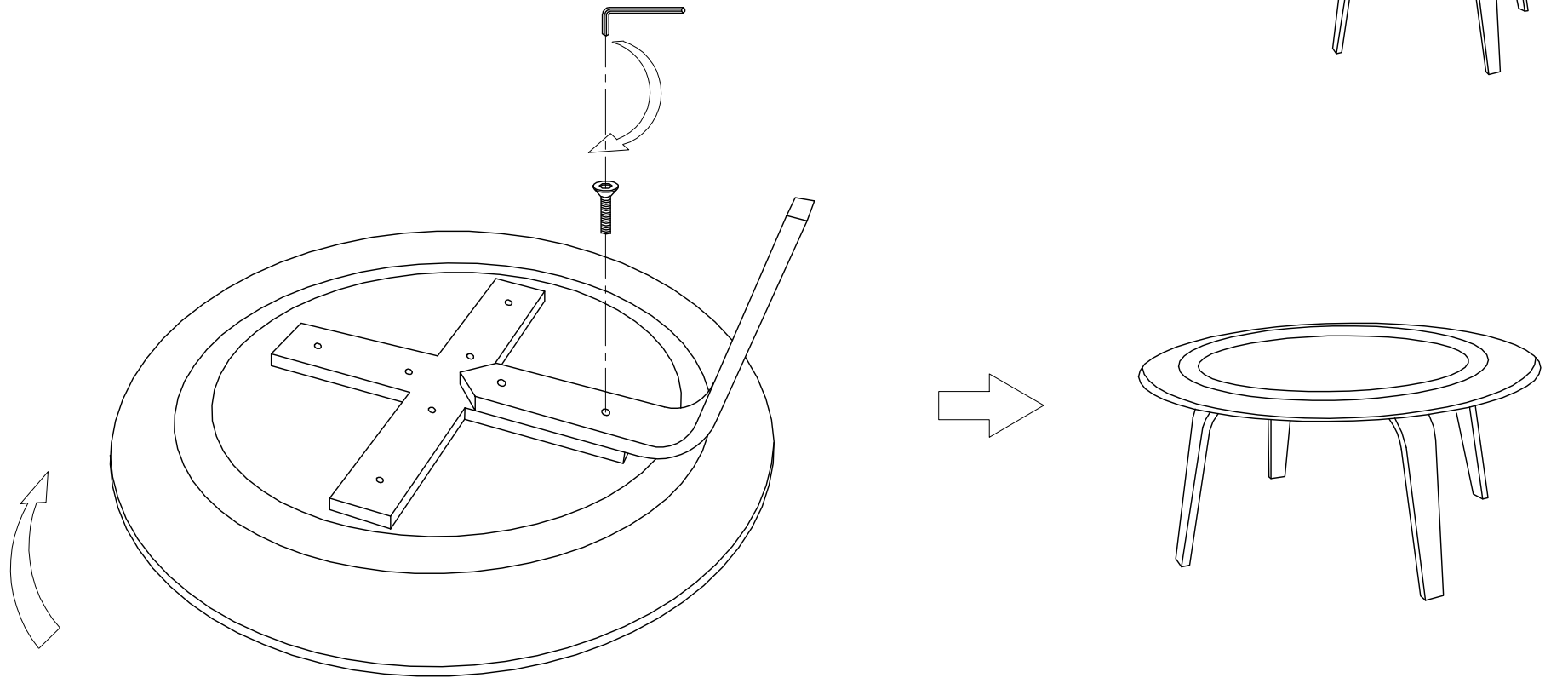
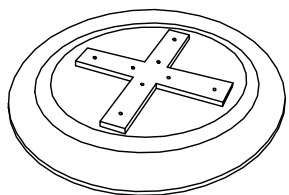


# Assembly Instruction



A



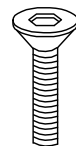
1 PIECE

B



4 PIECE

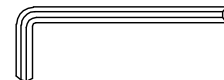
C



M6\*40

8 PIECE

D



4#

1 PIECE