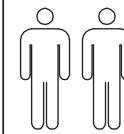
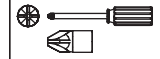


ASSEMBLY INSTRUCTION

WARDROBE 4 DOORS 2 DRAWER



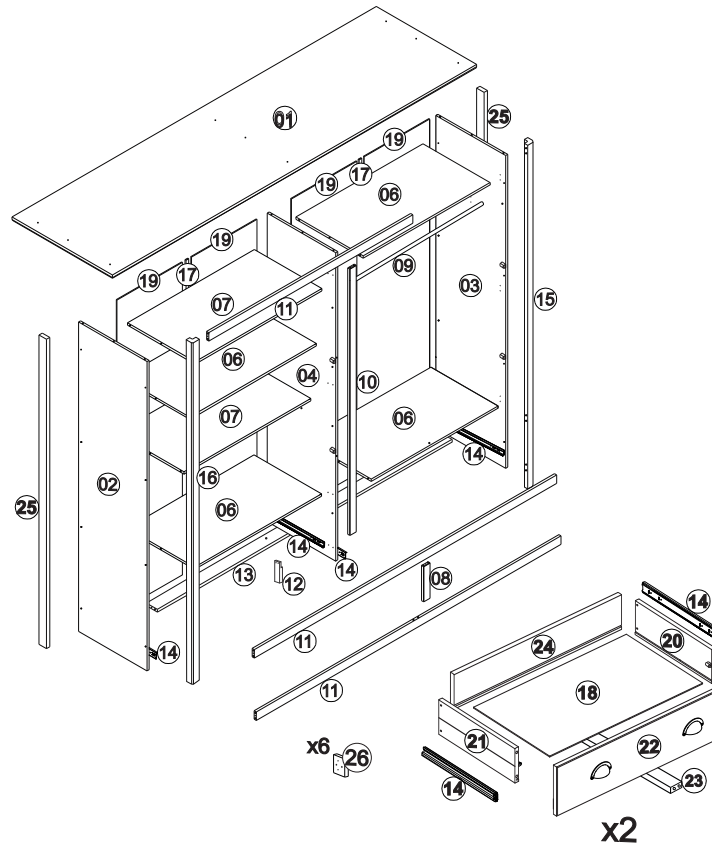
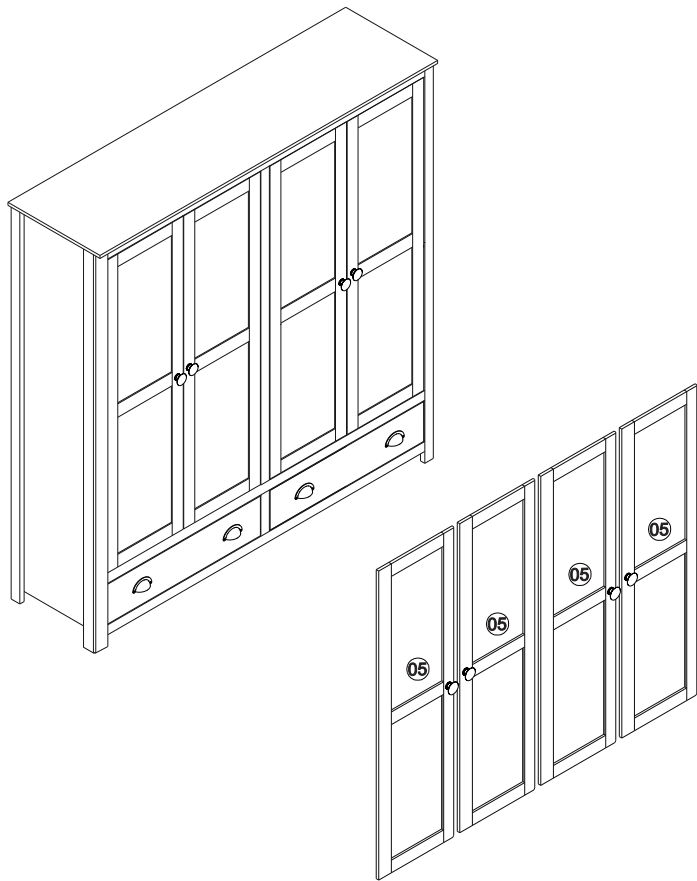
140min



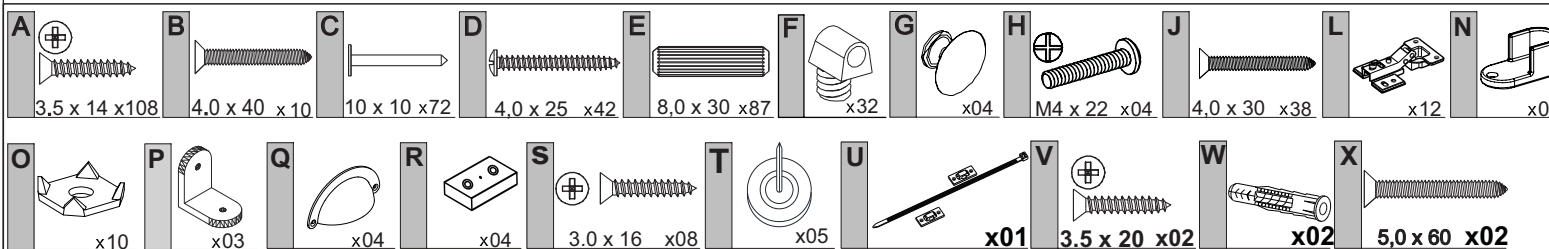
PARTS LIST

QT.

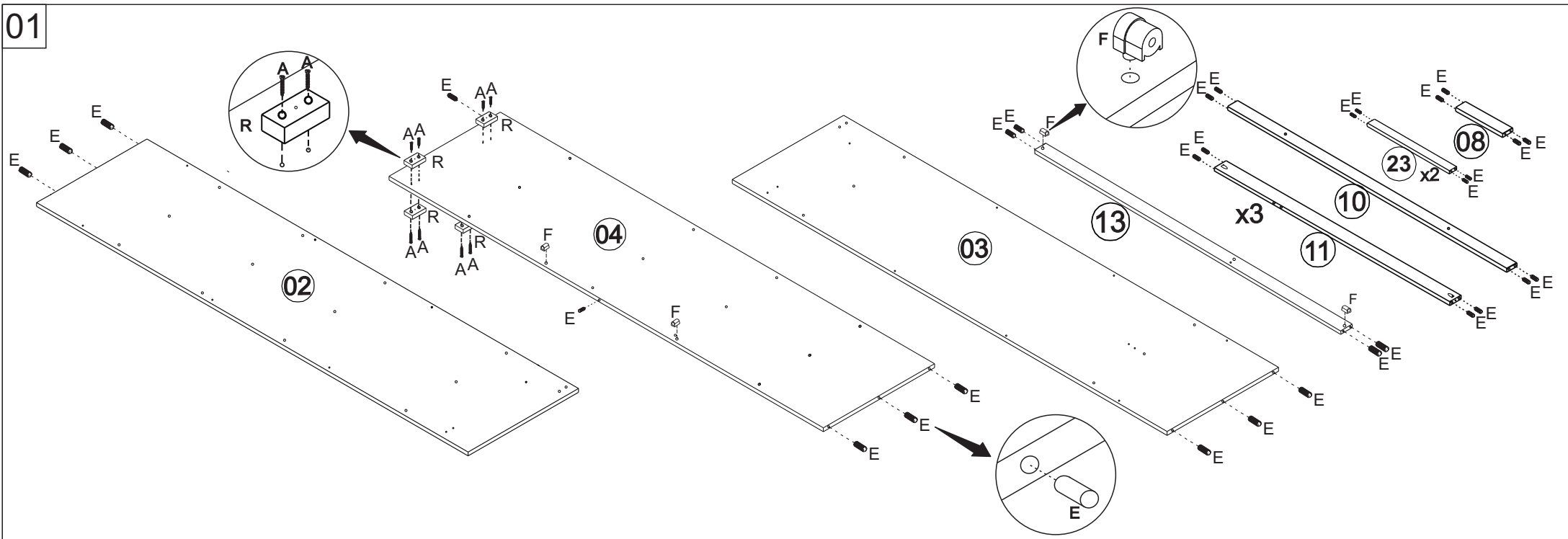
1- TOP	01
2- LEFT SIDE	01
3- RIGHT SIDE	01
4- DIVISION	01
5- DOORS	04
6- FIXED SHELF	04
7- SHELVES	02
8- VERTICAL FRONT BOTTOM CROSSBEAM	01
9- CLOTHES RACK	01
10- VERTICAL FRONT CENTER CROSSBEAM	01
11- HORIZONTAL FRONT CROSSBEAM	03
12- CENTER BOTTOM FOOT	01
13- BACK BOTTOM CROSSBEAM	01
14- DRAWER RUNNERS	04
15- RIGHT FRONT FOOT	01
16- LEFT FRONT FEET	01
17- BACK STRUT	02
18- DRAWER BASE	02
19- BACK PANEL	04
20- DRAWER RIGHT SIDE	02
21- DRAWER LEFT SIDE	02
22- DRAWER FRONT	02
23- DRAWER SUPPORT	02
24- DRAWER BACK	02
25- BACK FOOT	02
26-HINGE SUPPORT 15mm	06



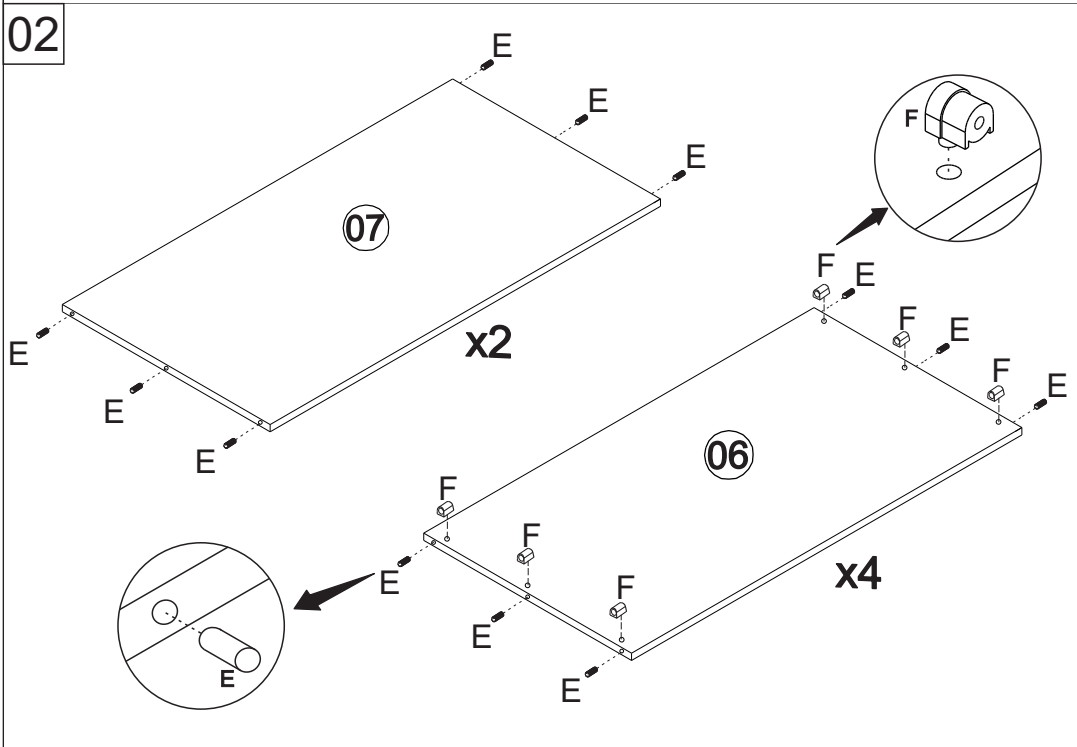
V.:01



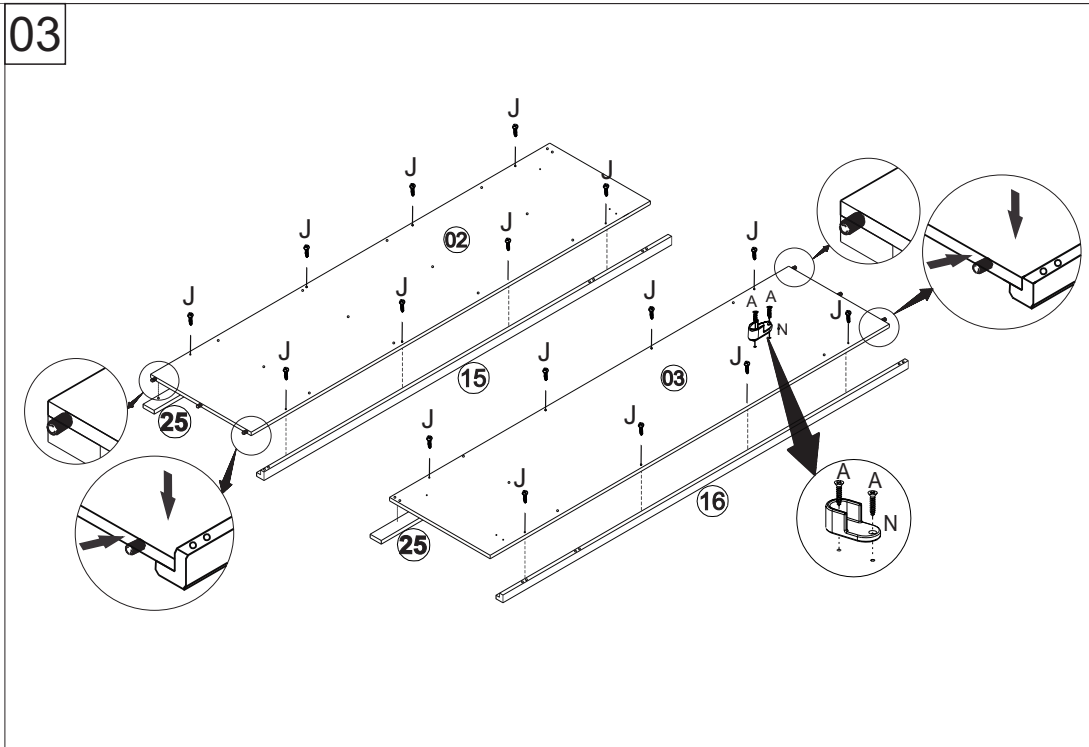
01



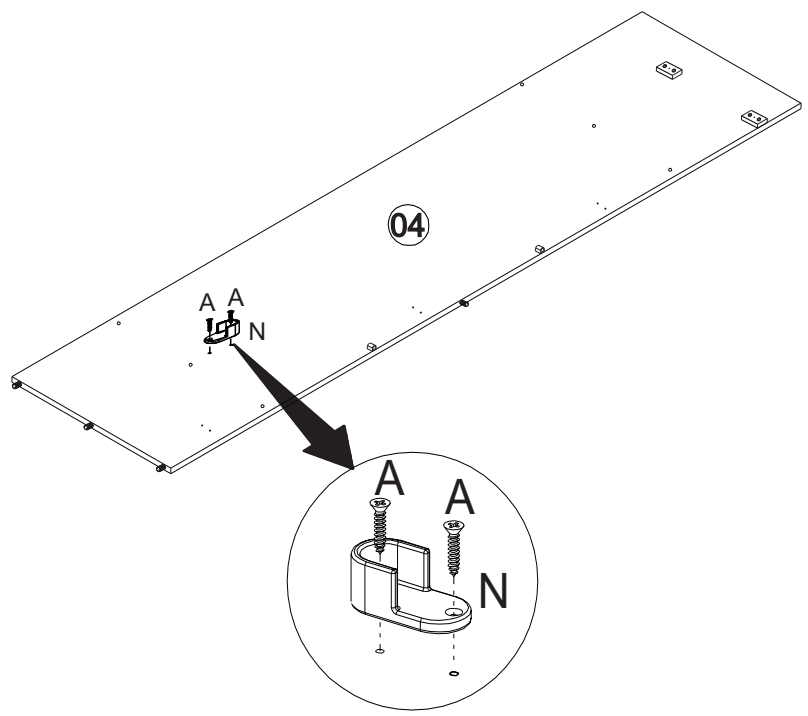
02



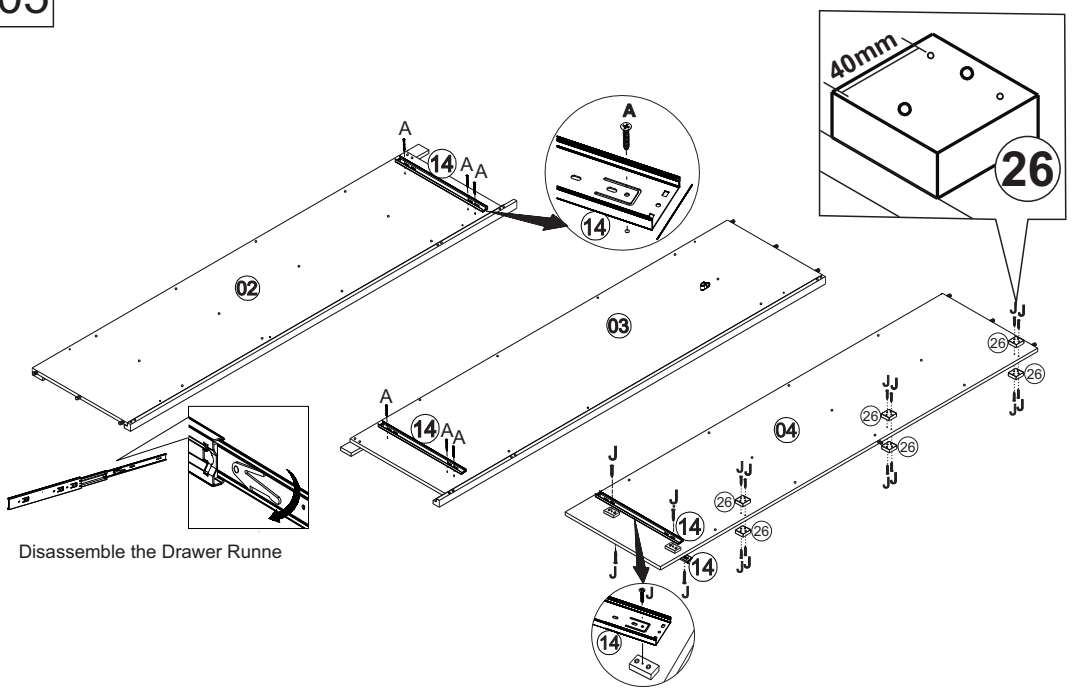
03



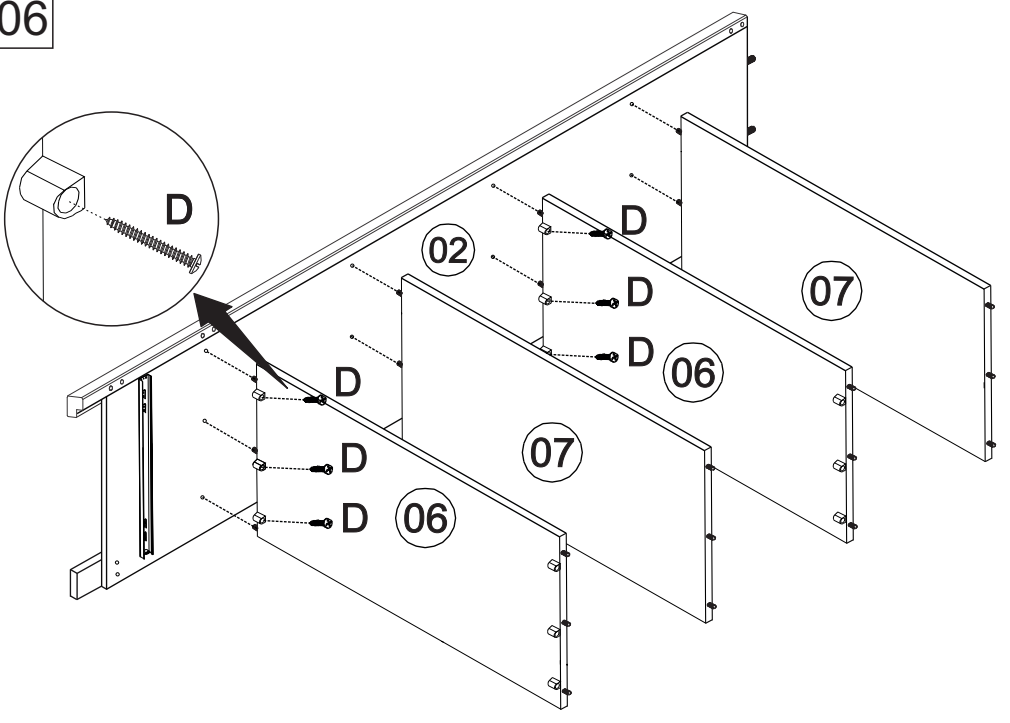
04



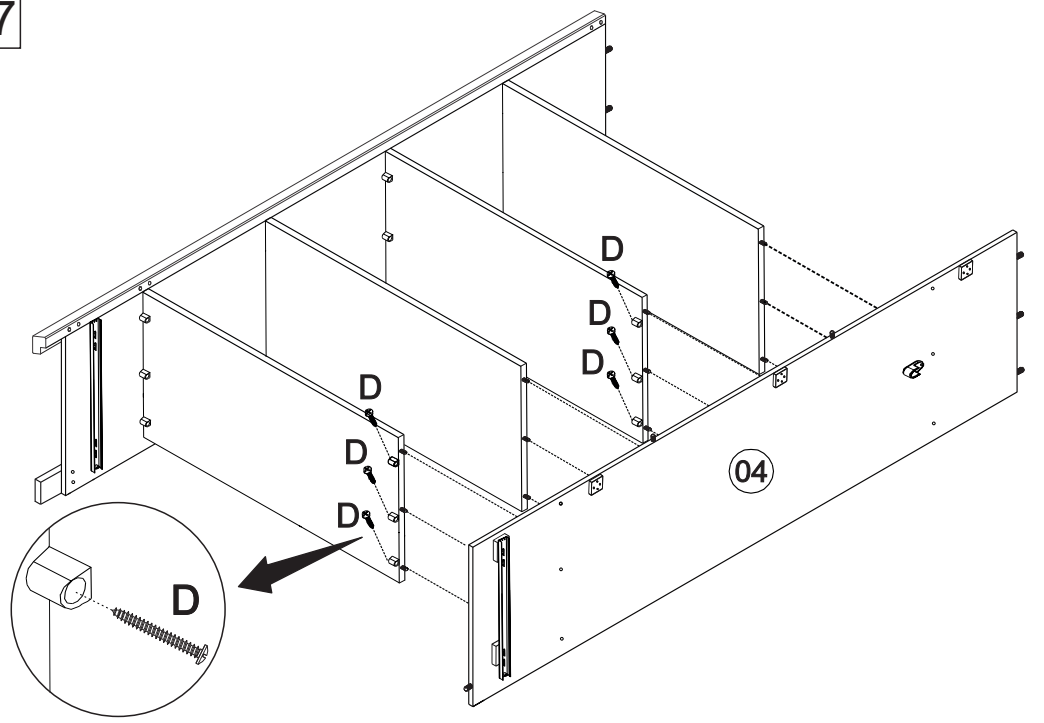
05



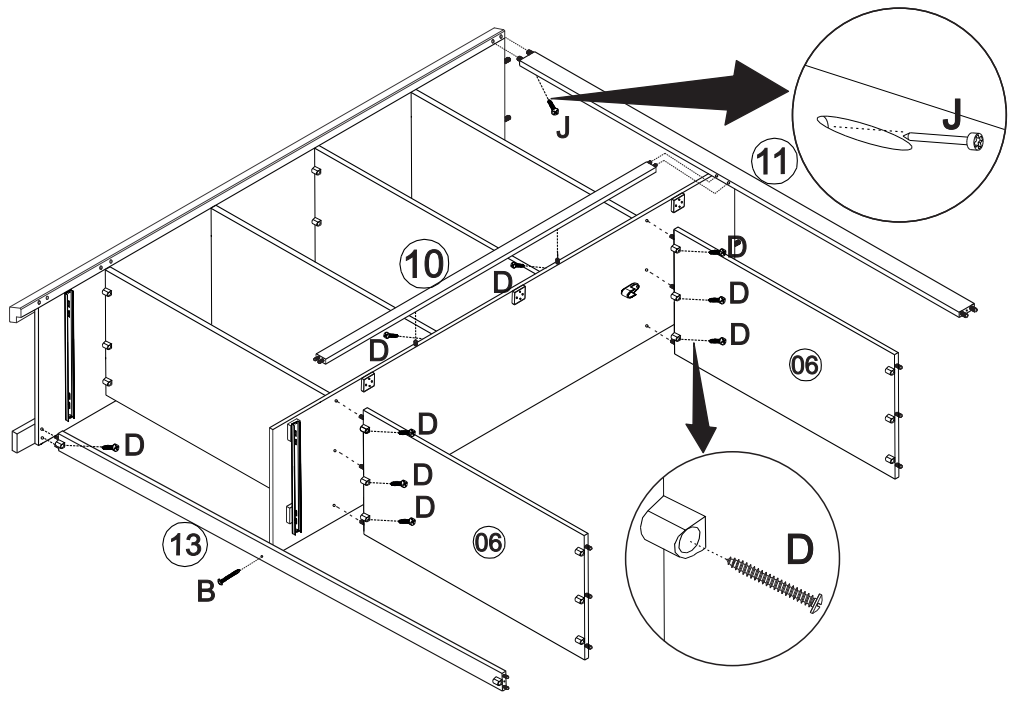
06



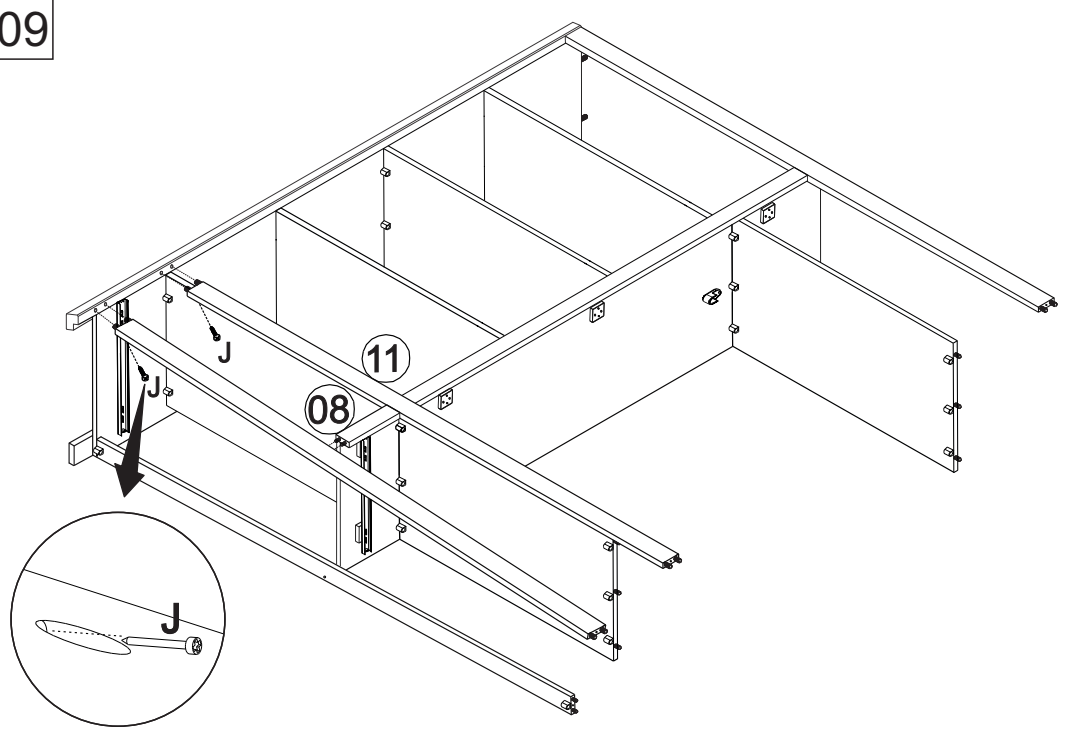
07



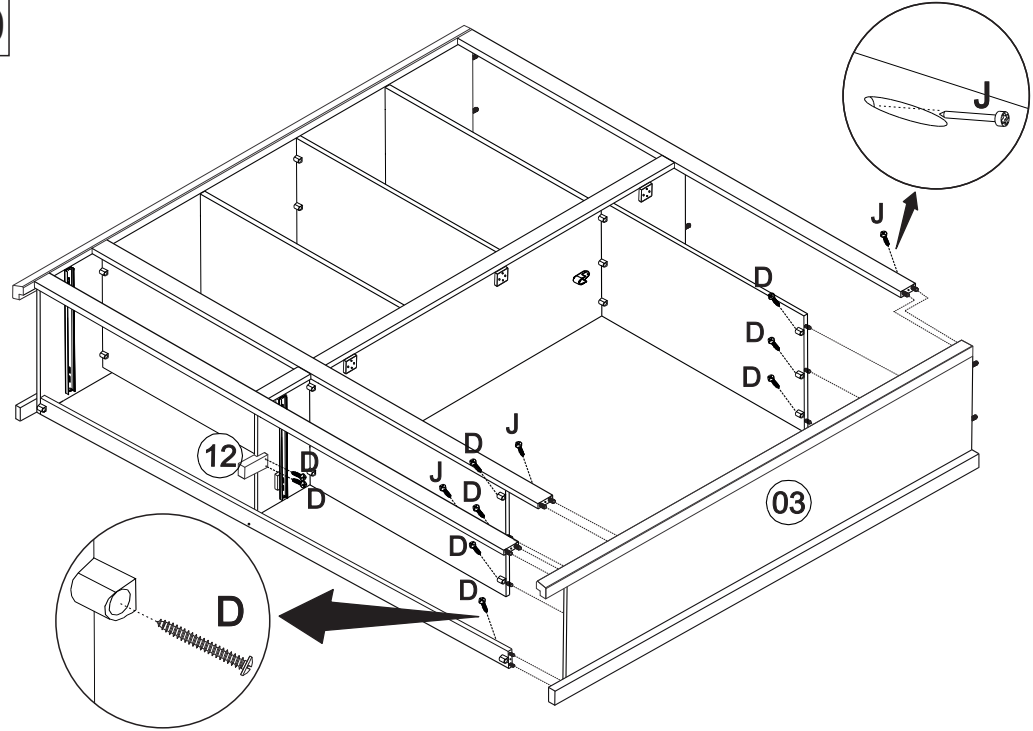
08



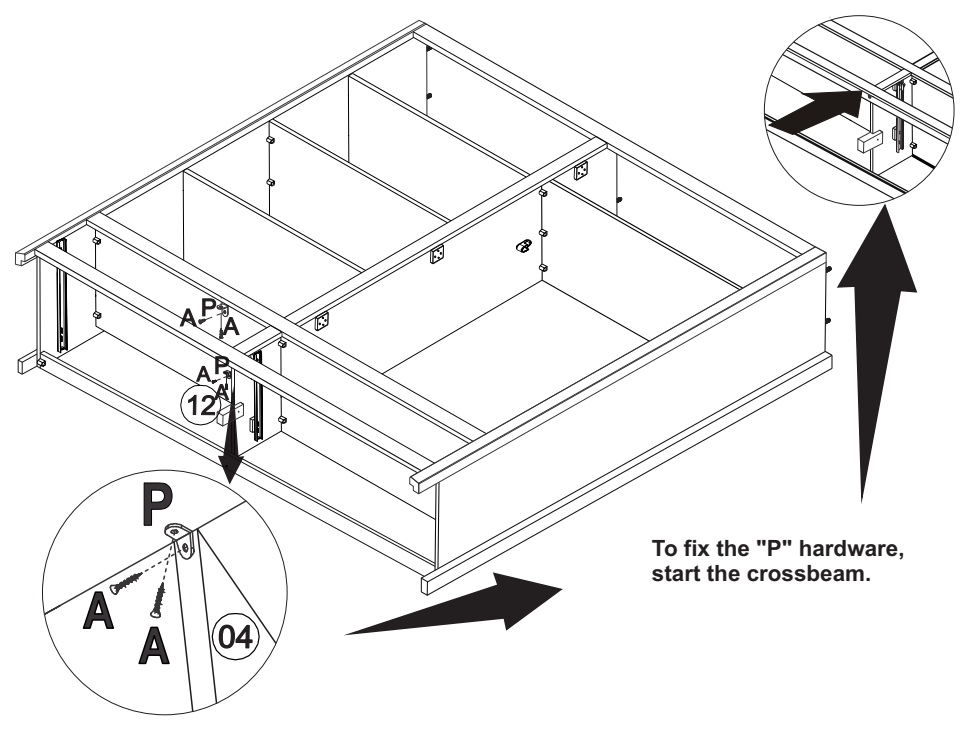
09



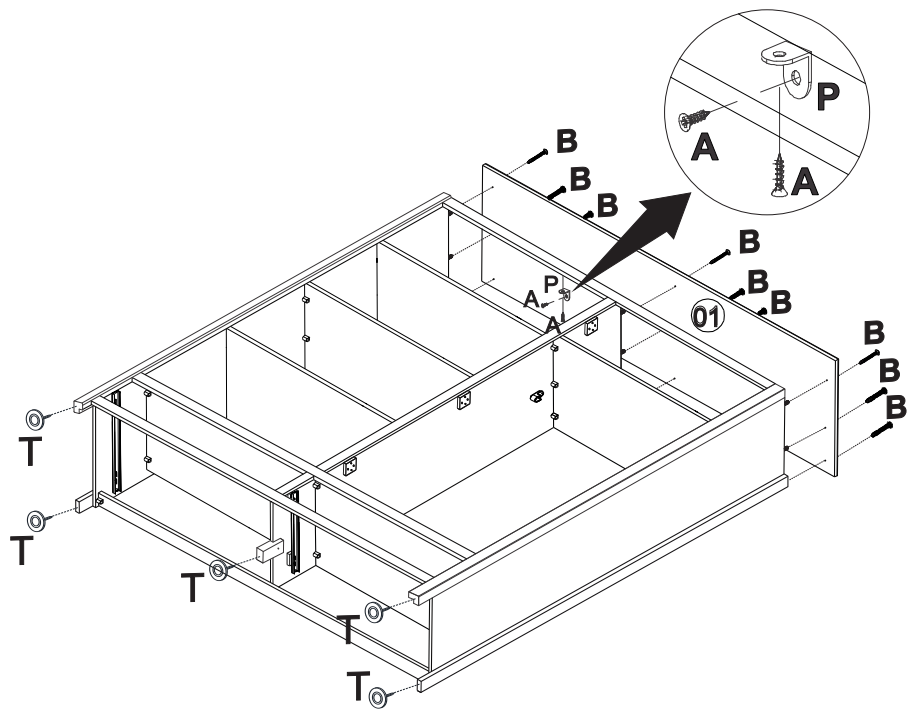
10



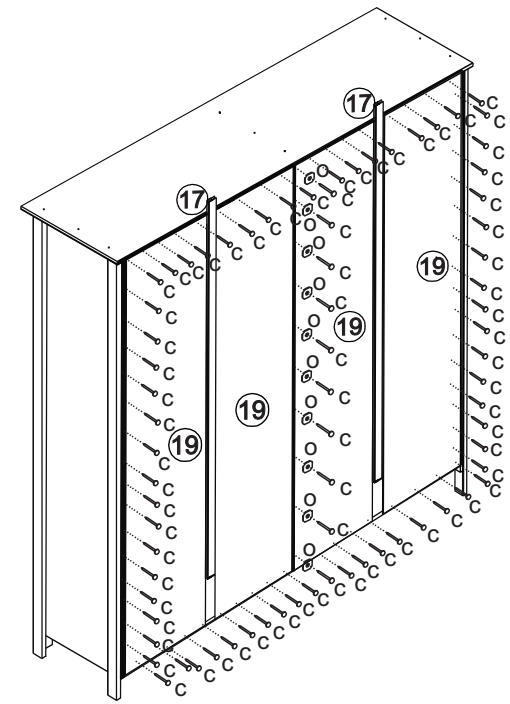
11



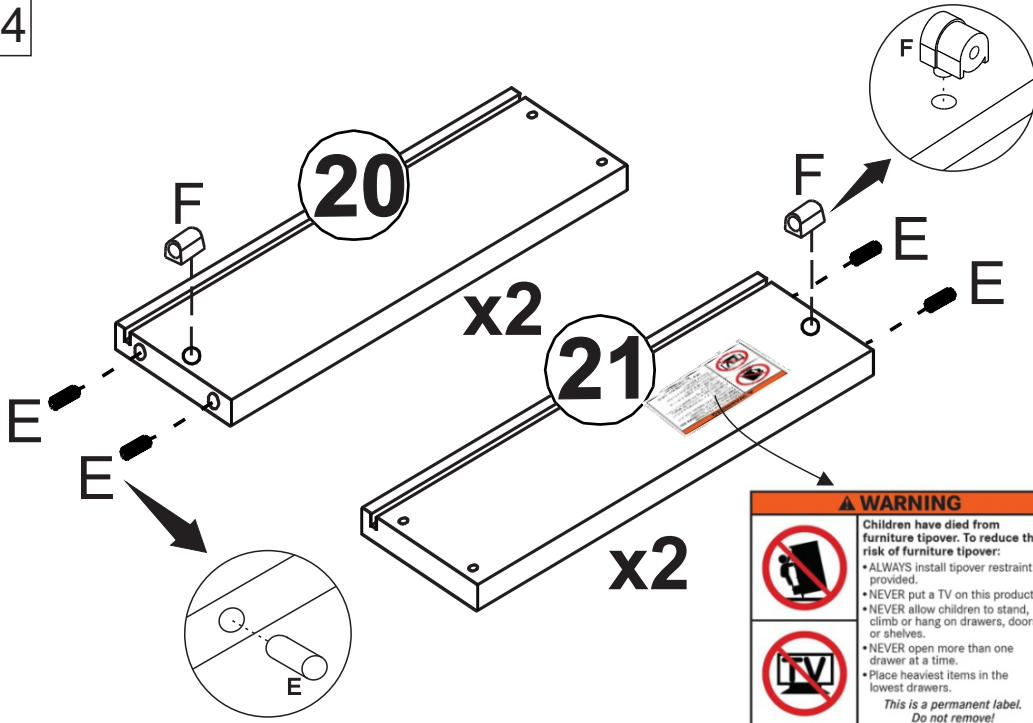
12



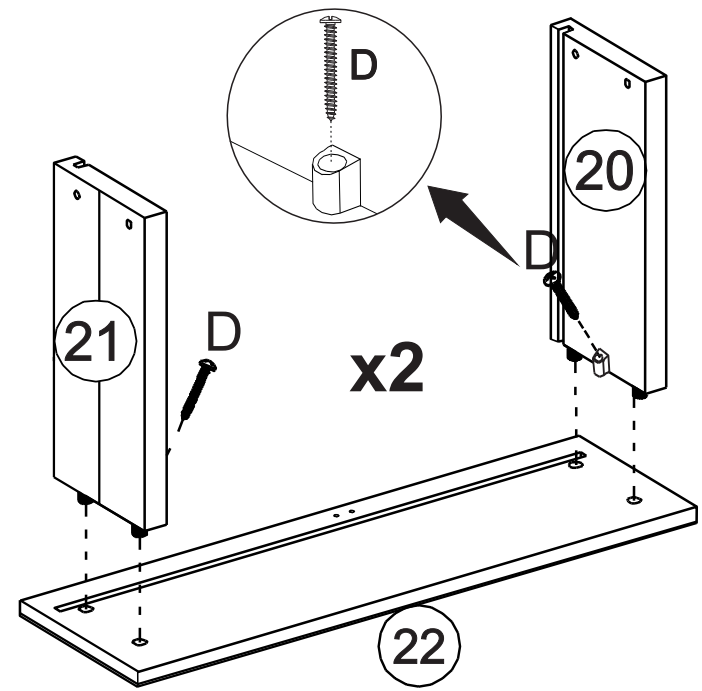
13



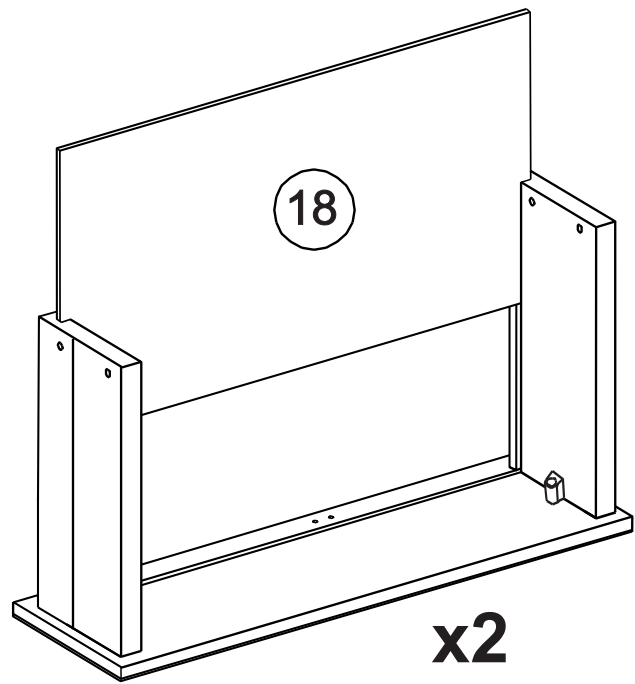
14



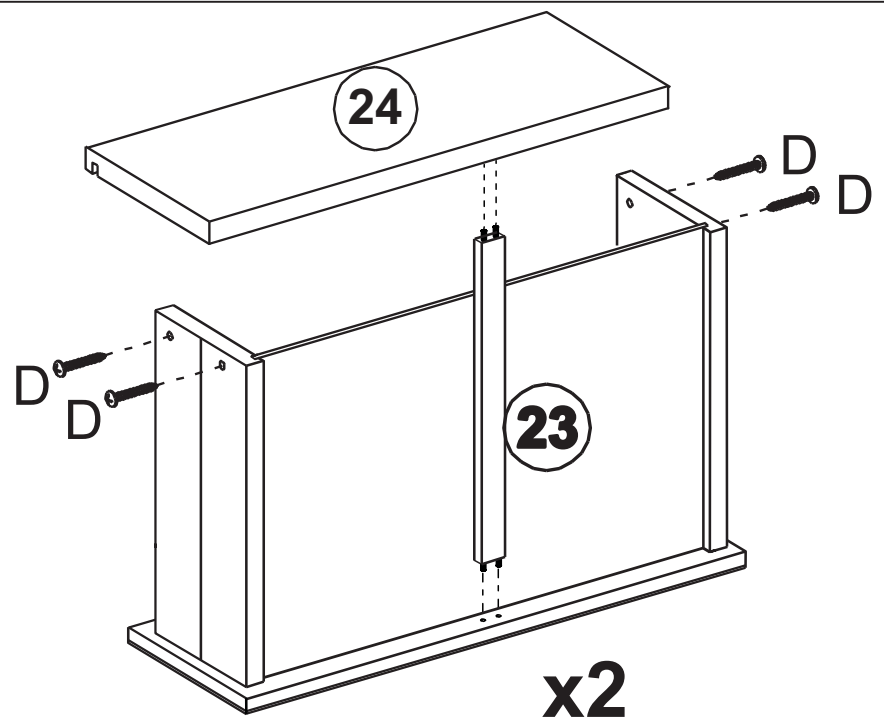
15



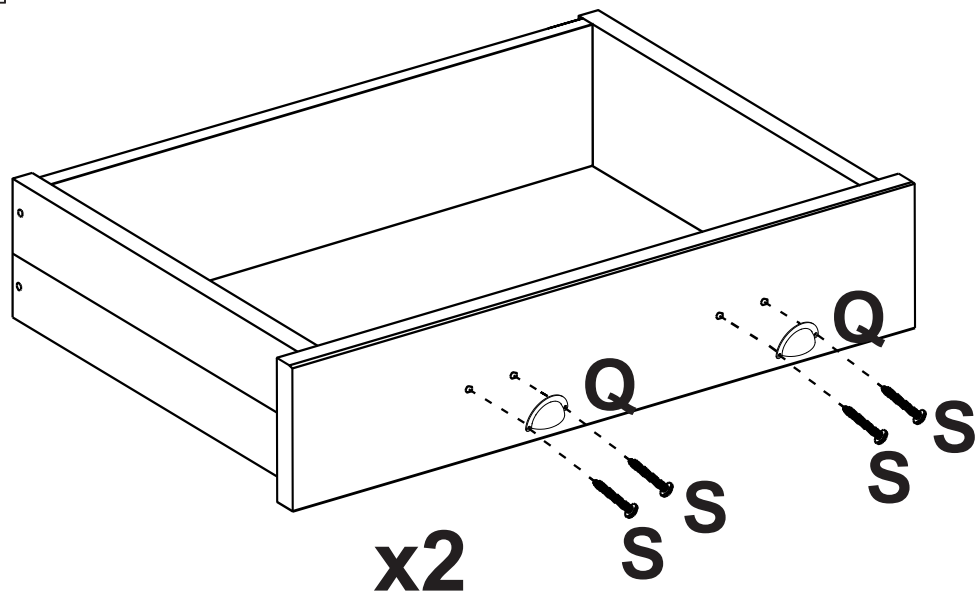
16



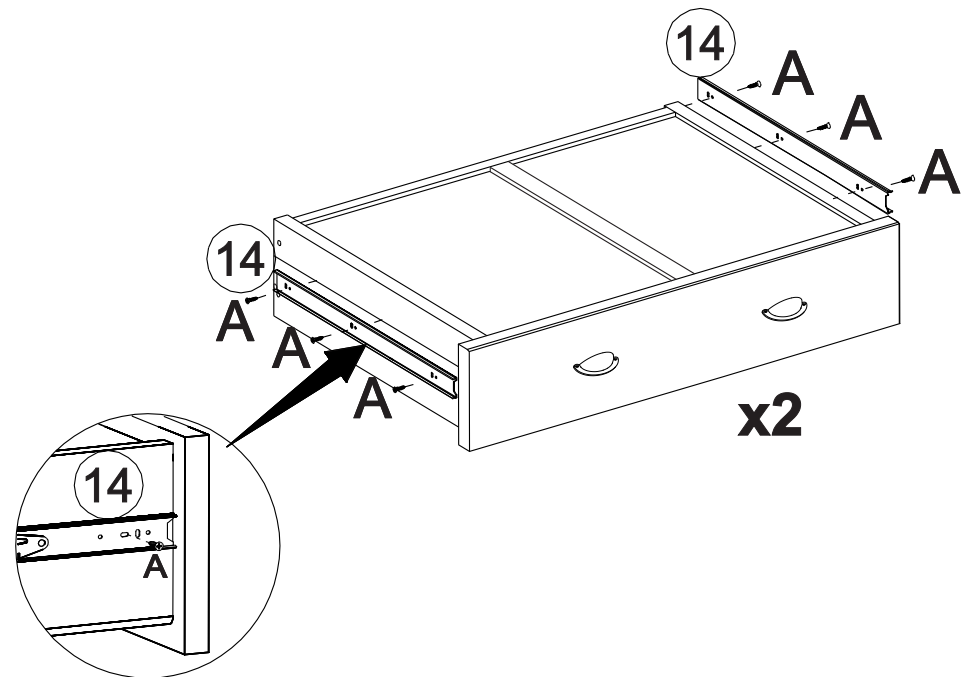
17



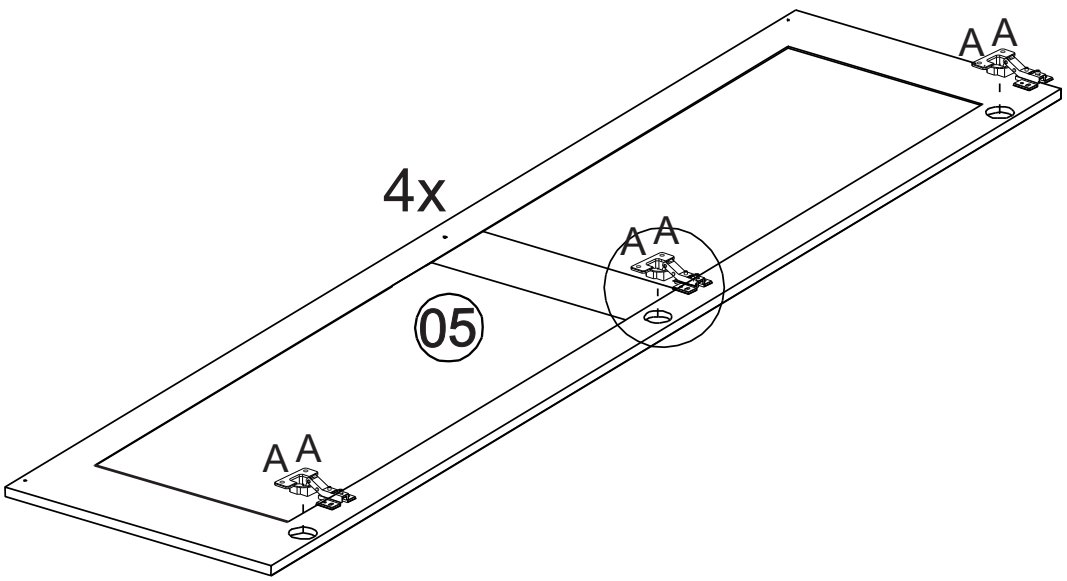
18



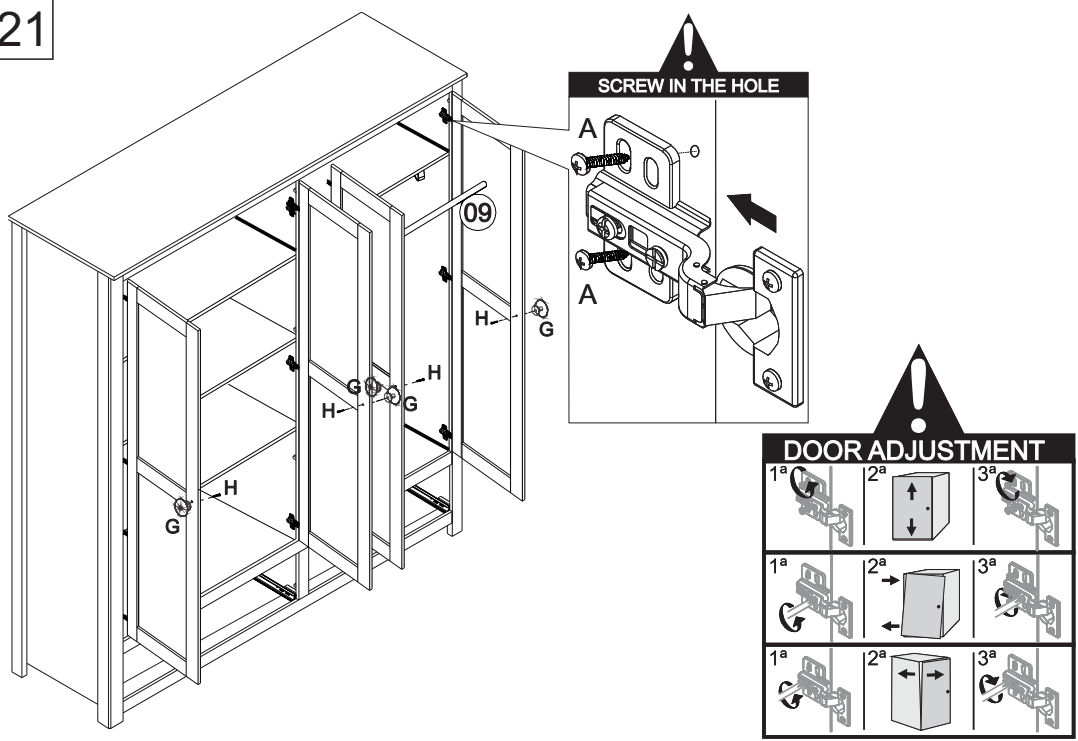
19



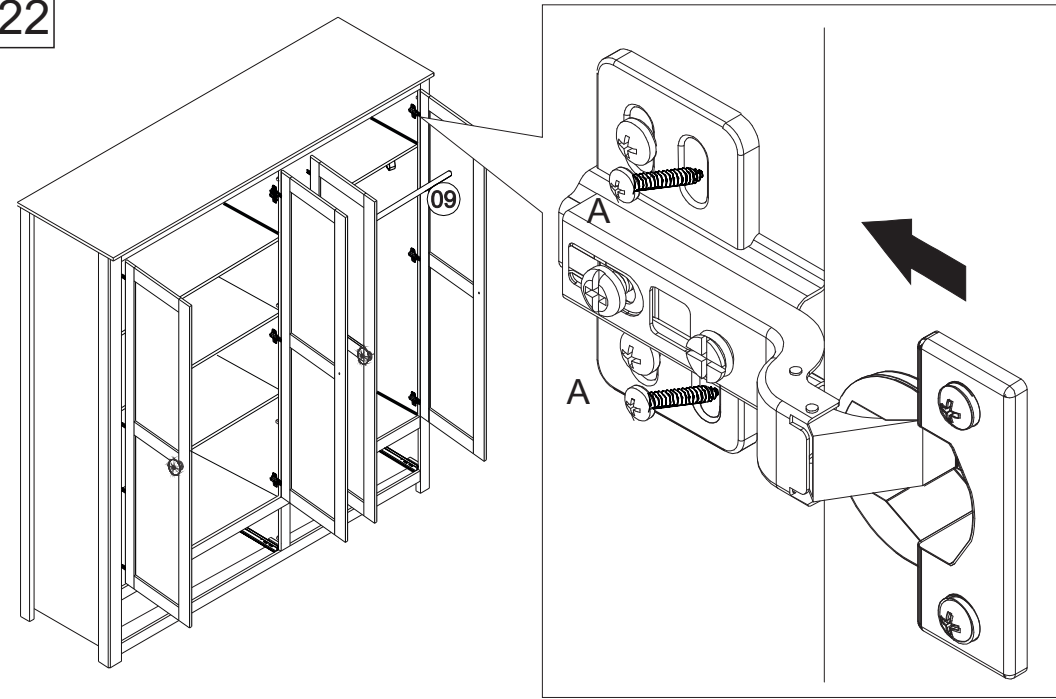
20



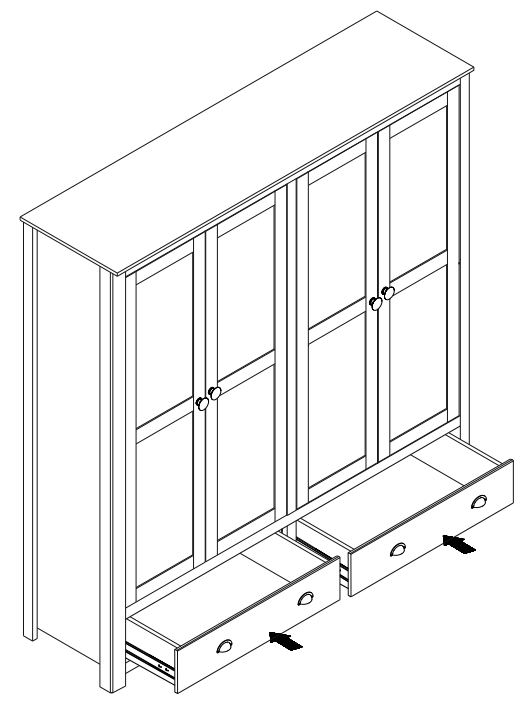
21



22



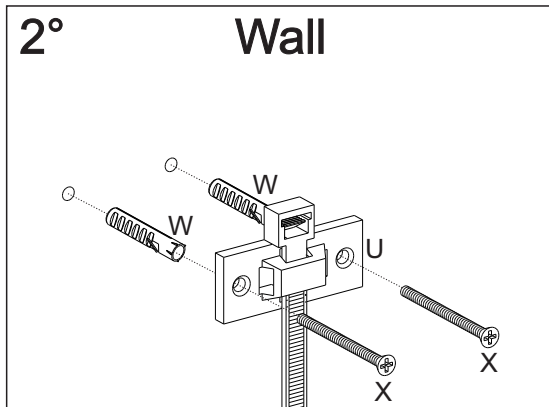
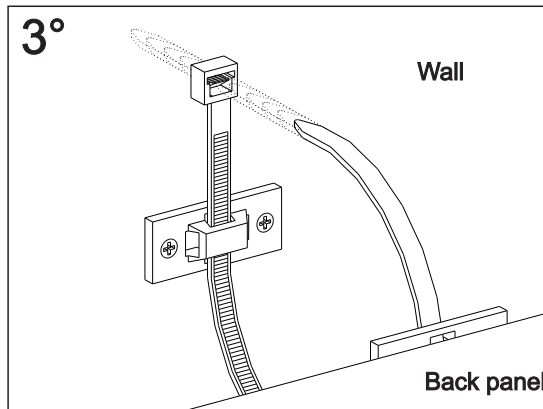
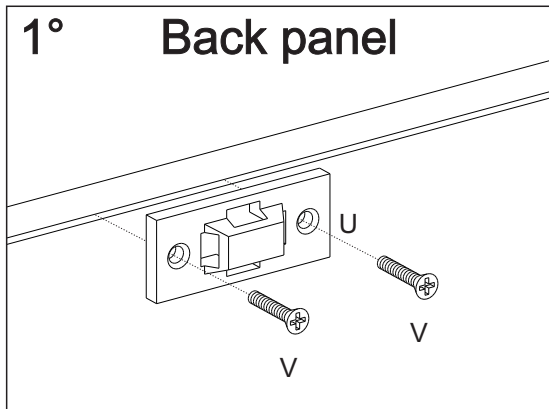
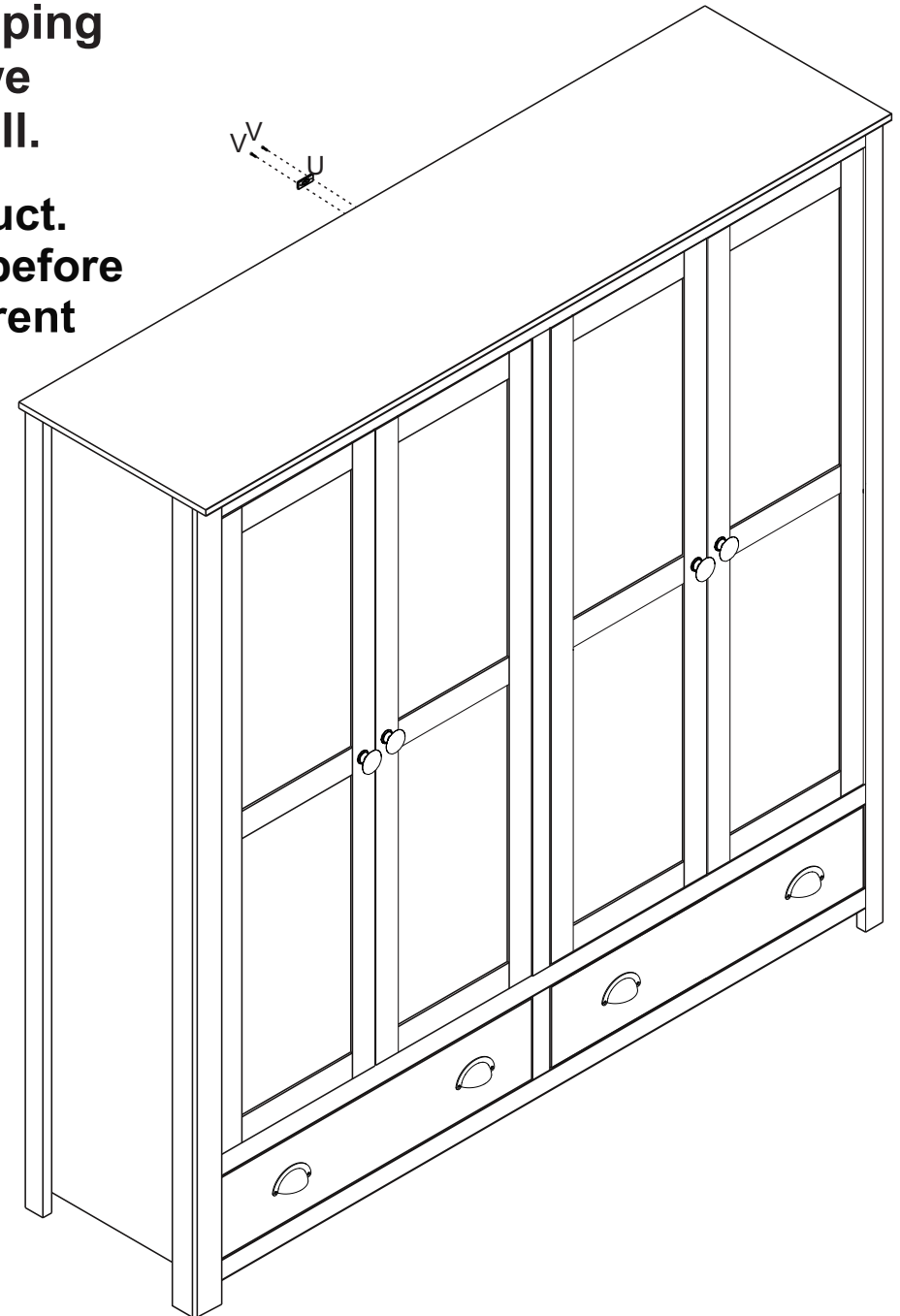
23



WARNING

Serious or fatal injuries can occur from furniture tipping over. To prevent the furniture from tipping over we recommend that it is permanently fixed to the wall.

Wall anchor and hardware are included with this product. Please make sure hardware is suitable for your walls before installing, as different wall materials may require different types of anchors.



With drilling machine make one hole in the wall,
Insert part (W) in the hole.

Secure part (U) with Screw (V), in the wall.

V		02
U		01
X		02
W		02