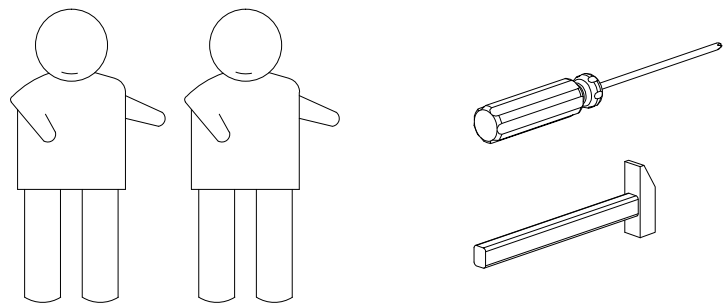
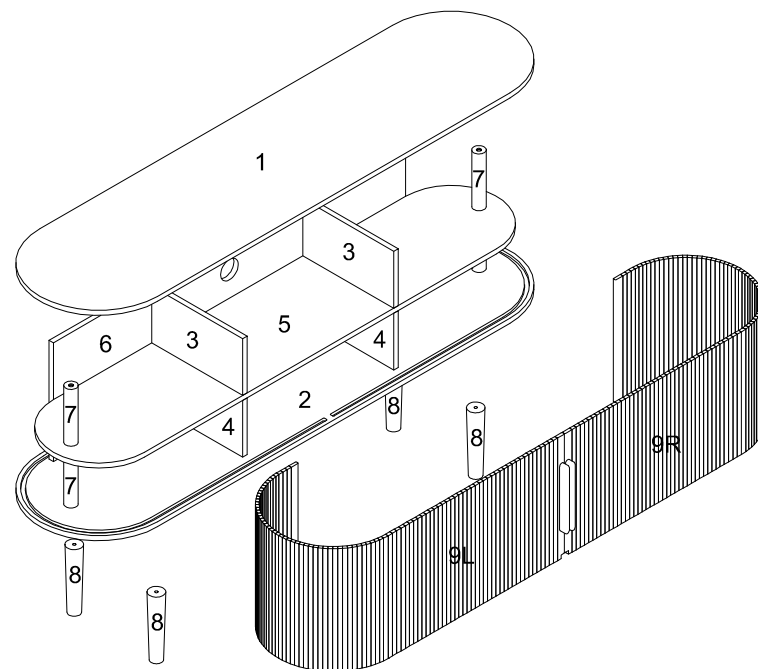
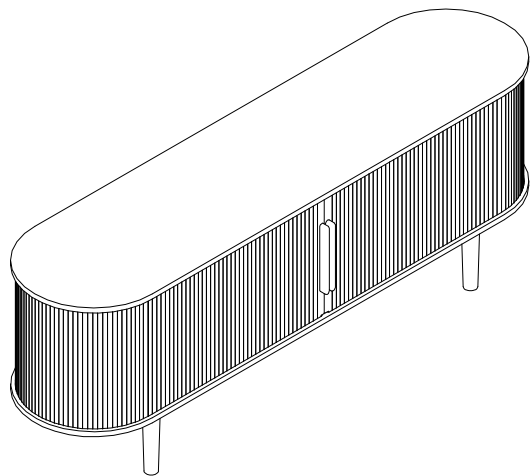


# ASSEMBLY INSTRUCTION



A=16		8*28	I=2		M6*35
B=16		∅15	J=2		200*20
C=16		∅20	K=1		M4
D=4		∅8*30	L=4		∅20
E=4		∅4*14	M=1		
F=16		M6*50			
G=2		M6*35			
H=2		M6*55			



STEP:1

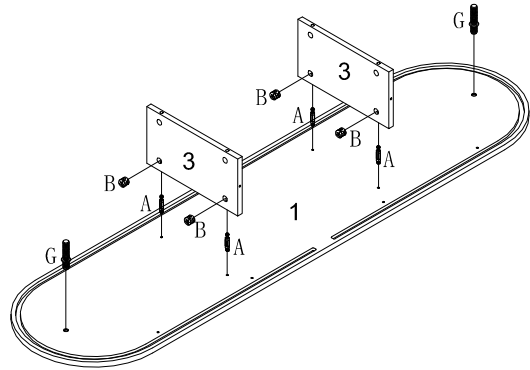
A=4



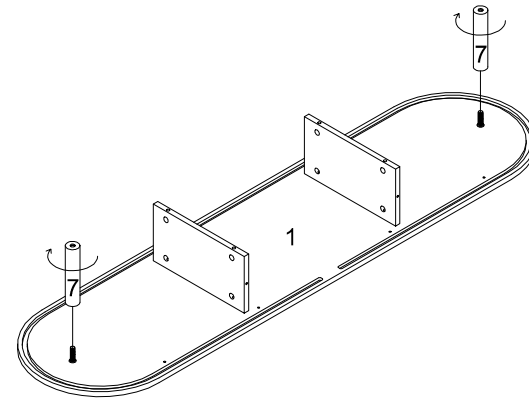
B=4



G=2



STEP:2

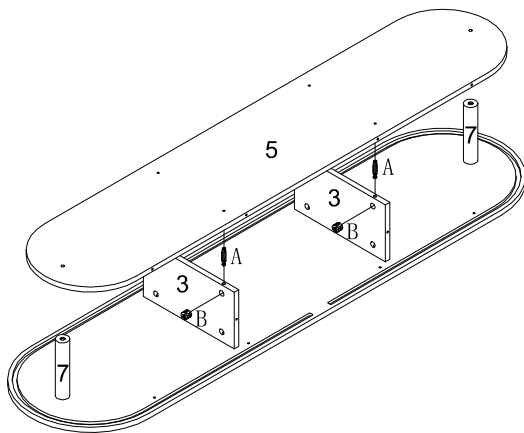


STEP:3

A=4

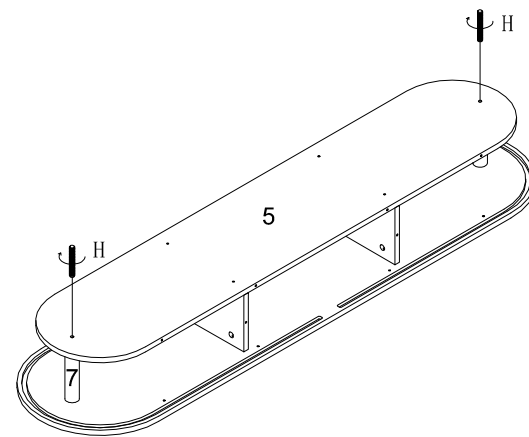


B=4



STEP:4

H=2

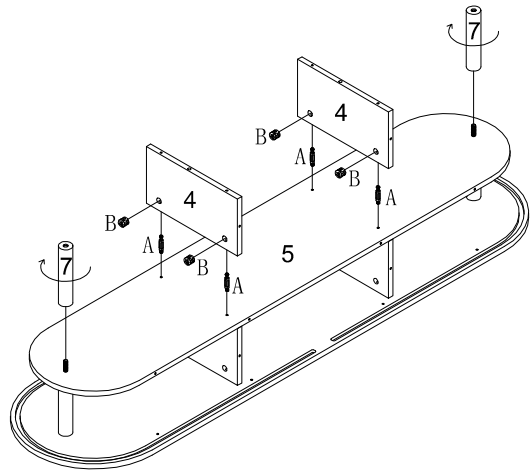


STEP:5

A=4



B=4

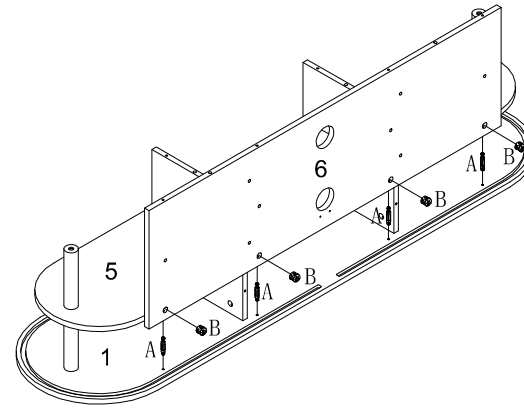


STEP:6

A=4



B=4

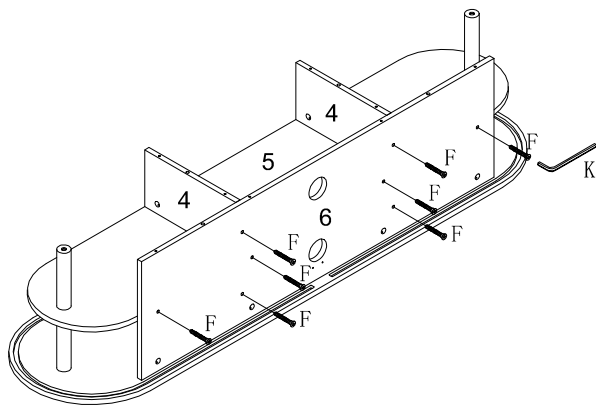


STEP:7

F=8



K=1

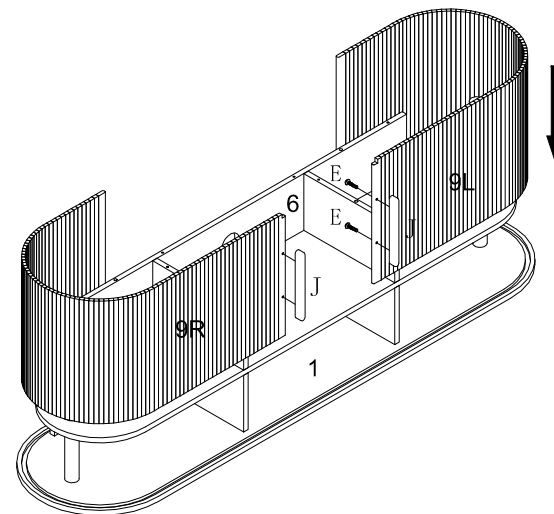


STEP:8

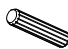



E=4

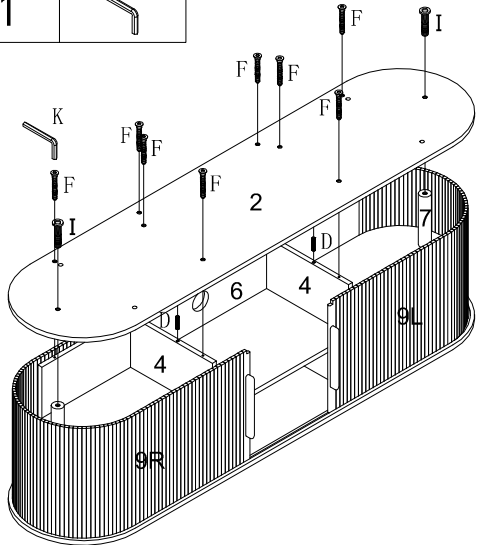


J=2

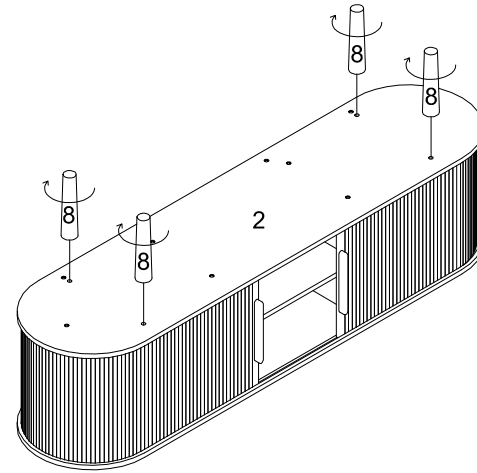


STEP:9


D=4		F=8		I=2	
K=1					

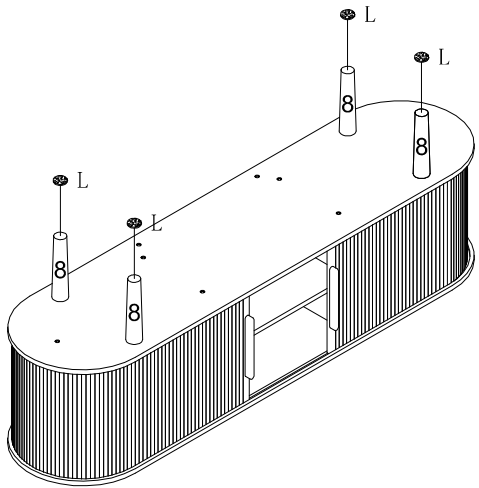


STEP:10

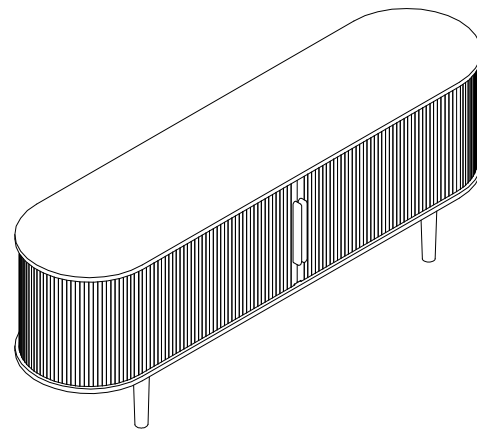


STEP:11

L=4	
-----	---

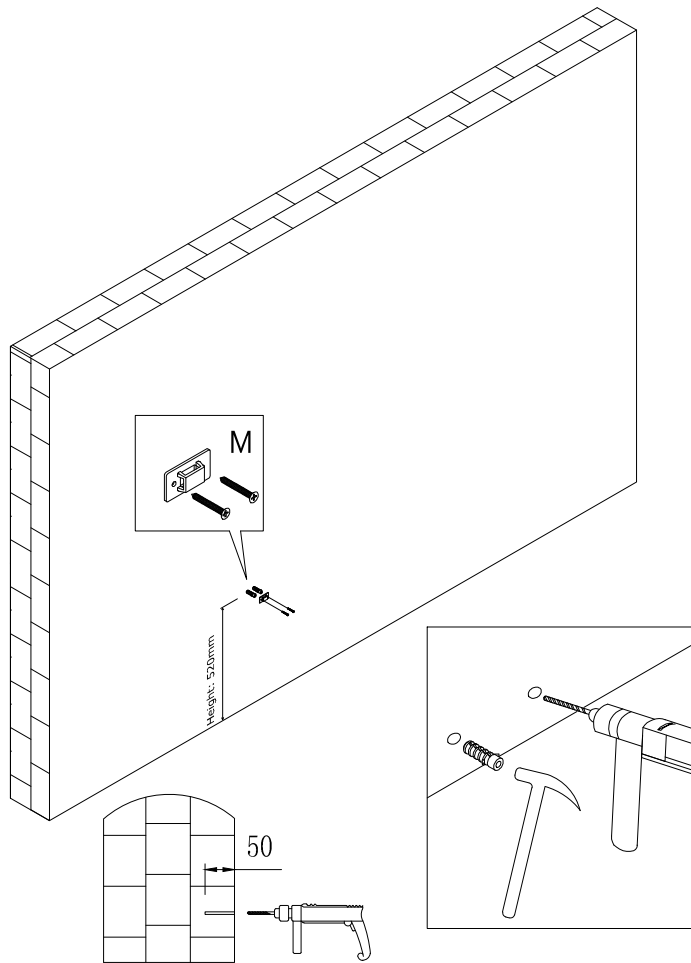
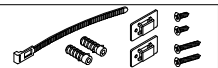


STEP:12



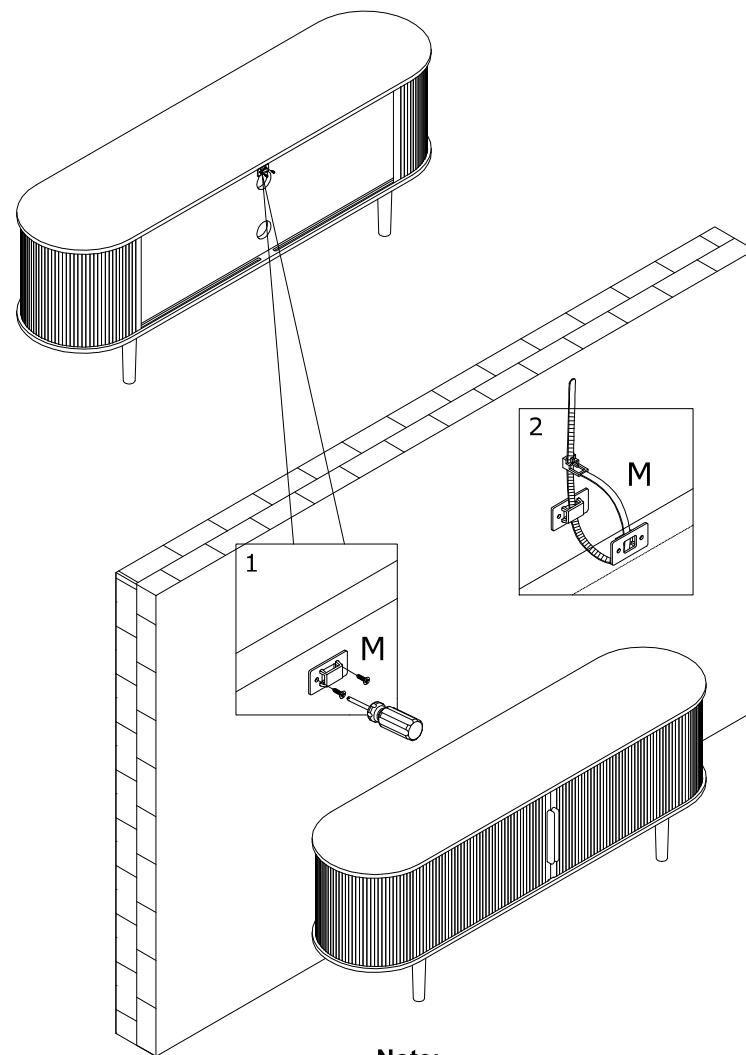
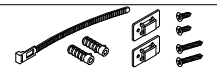
# STEP:13

M=1



# STEP:14

M=1



**Note:**  
Please lift up the furniture by two people when moving is needed.  
Dragging may cause the legs failure.