

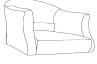





CARE AND MAINTENANCE

Spot clean using a mild water-free solvent. Only a professional cleaner should undertake a complete overall cleaning.
The use of steam or water-based cleaners may cause excessive shrinking or staining.

NOTICE

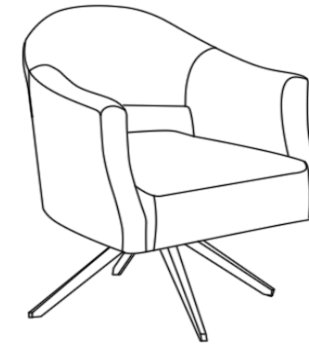
- * Please make sure that you have all parts indicated before you begin assembly of this item
- * This item should be assembled on a soft surface to prevent scratching the finish during assembly
- * This item may require periodic tightening

Part List and Hardware List

PIECE	DESCRIPTION	PICTURE	QUANTITY
A	Seat		1X
B	Base		1X
HW1	Split Lock Washer(M6)		4X
HW2	Flat Washer(M6)		4X
HW3	Socket Screws 6*1.05*30MM		4X
HW4	Allen Key		1X

Dimensions: 26.57"*29.13"*29.72"

Weight Capacity: 275 lbs



WARNING: DO NOT STAND ON CHAIR

WARNING: DO NOT OVER TORQUE BOLTS/SCREWS

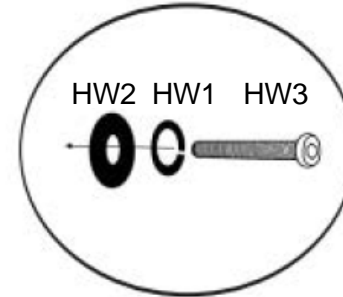
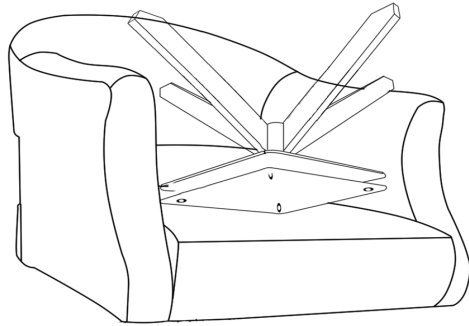
The base and hardware are on the top of the chair.

PREPARATION

Before beginning assembly of product, make sure all parts are present. Compare parts with package contents list and hardware contents list. If any part is missing or damaged, do not attempt to assemble the product.

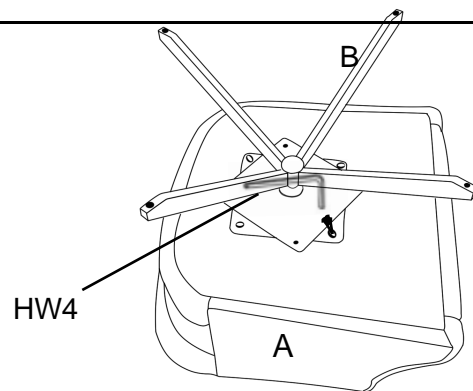
Estimated Assembly Time: 10 minutes.

Tools Required for Assembly (included): Allen key



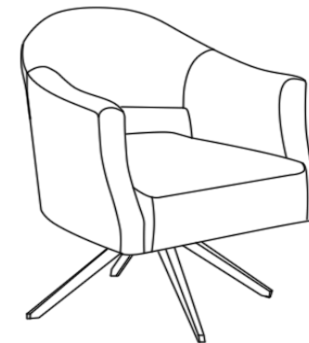
STEP1 THE BASE IS ON THE TOP OF THE CHAIR, OPEN TO TAKE THE LEG BASE AND HARDWARE

STEP2 PUT WASHERS ON THE SOCKET SCREWS IN THE ORDER SHOWN IN THE PICTURE.



STEP3 INSERT THE BASE AND SCREW IN THE SCREWS BUT DON'T TIGHTEN COMPLETELY.

STEP4 PUT THE CHAIR UPRIGHT AND MAKE SURE THE BASE IS LEVEL, THEN FIRMLY TIGHTEN BOLTS WITH ALLEN KEY WHILE THE CHAIR IS UPRIGHT AS PICTURED ABOVE



The base and hardware are on the top of the chair.