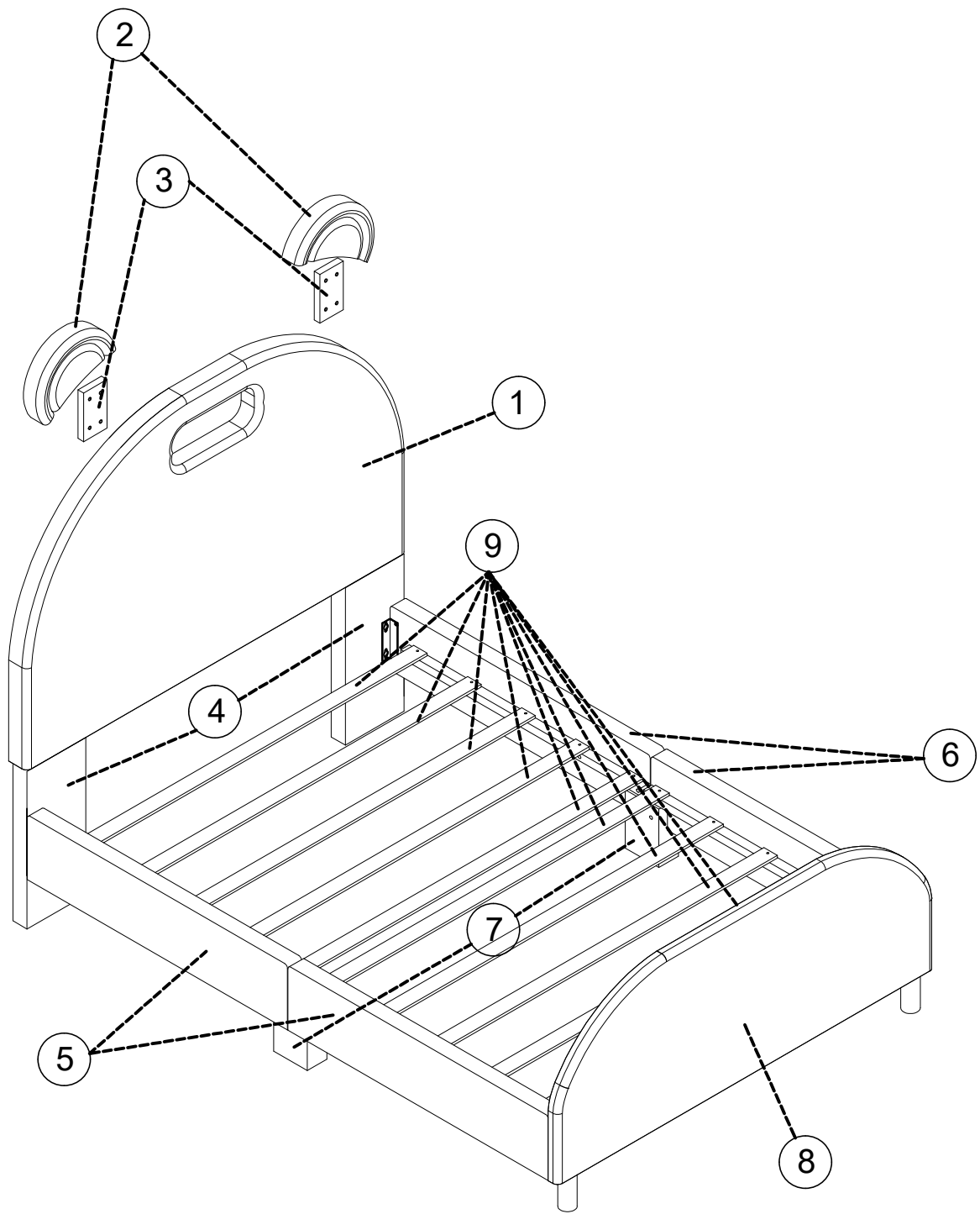


ASSEMBLY INSTRUCTION

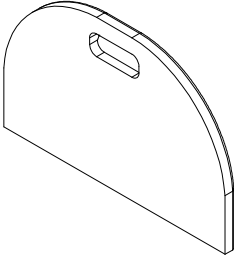

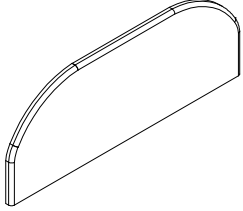
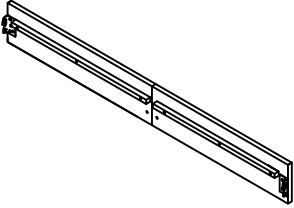
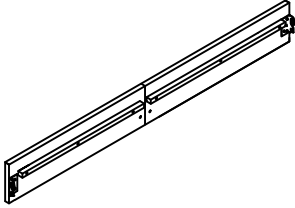

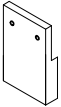
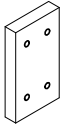

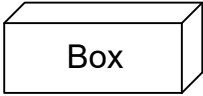
SKU CODE: (WF316214AAA/WF316214AAH)

This set included 1 boxex if do not receive full 1 boxex. Please contact our customer service team





Part List

<p>1</p>  <p>Head board Left-1pc</p>	<p>2</p>  <p>Wing board Right-2pcs</p>	<p>8</p>  <p>Footboard-1pc</p>
<p>5</p>  <p>Side rail Left-2pcs</p>	<p>6</p>  <p>Side rail Left-2pcs</p>	<p>4</p>  <p>Head board legs-2pcs</p>
<p>7</p>  <p>Side legs-2pcs</p>	<p>3</p>  <p>Connect Wing & Headboard-2pcs</p>	<p>9</p>  <p>Slates-11pcs</p>
<p>10</p>  <p>Box-Charging and controller-1pc</p>		







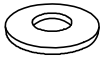



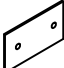
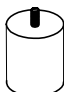
Hardware



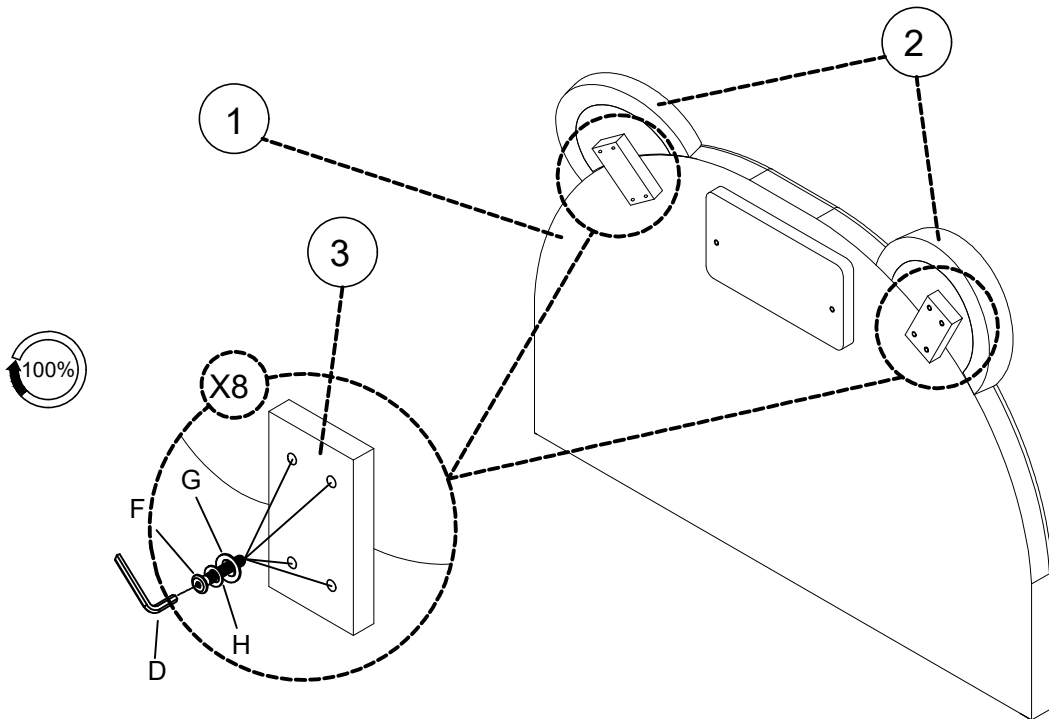
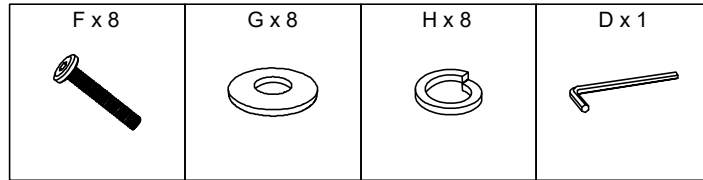
HARDWARE

Check that you've received
all hardware listed below.

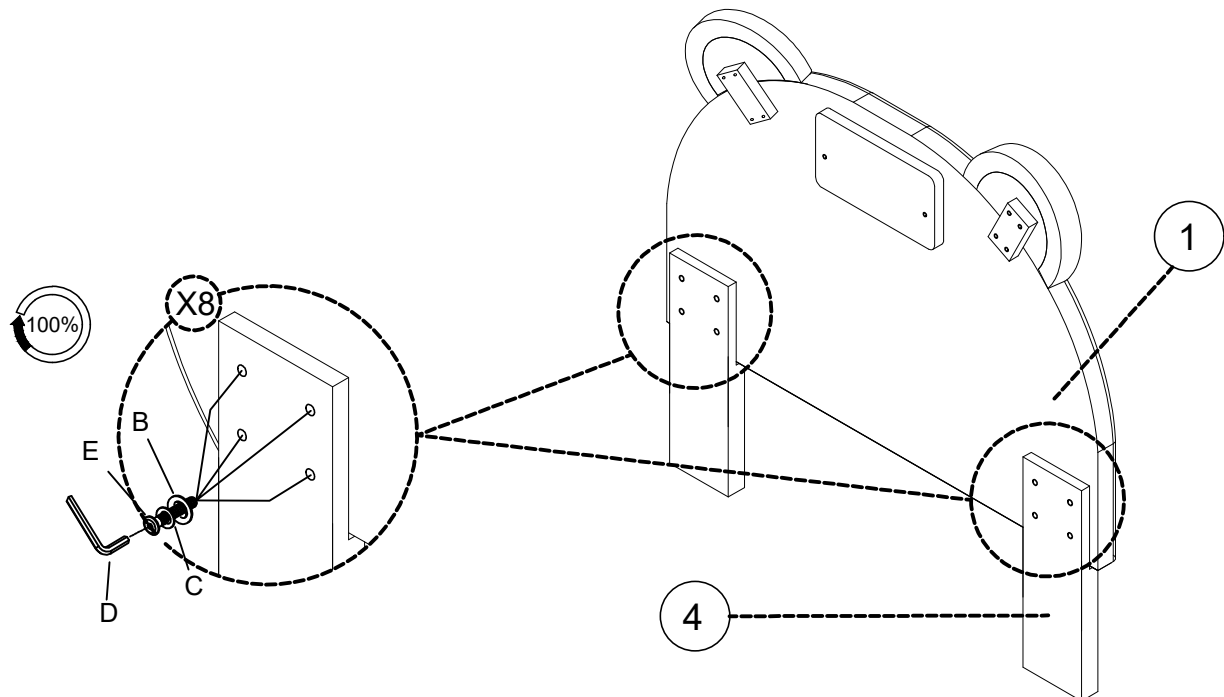
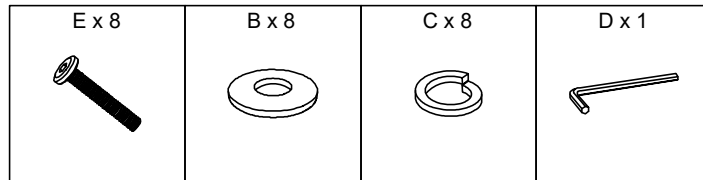
Hardware List

No.	OUTLOOK	DESC	QTY
(A)		Bolts 5/16"x30 mm	8
(B)		Plain washer Ø5/16"x19x1.5 mm	20
(C)		Spring washer Ø5/16"x12 mm	20
(D)		Allen key 80x30x4 mm	1
(E)		Bolts 5/16"x38 mm	12
(F)		Bolts 1/4"x30 mm	8
(G)		Plain washer Ø1/4"x19x1.5 mm	8
(H)		Spring washer Ø1/4"x10 mm	8
(I)		Screws Ø4x30 mm	20
(K)		Screws Ø4x15 mm	4
(L)		Metal bas	2
(M)		Legs Ø50	2


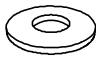


STEP 1

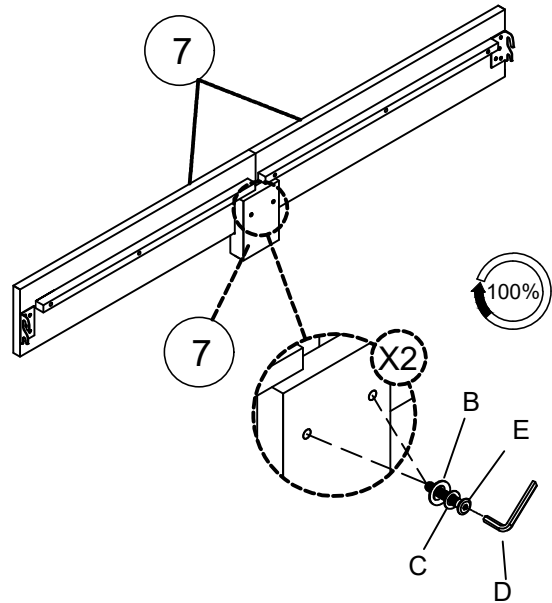
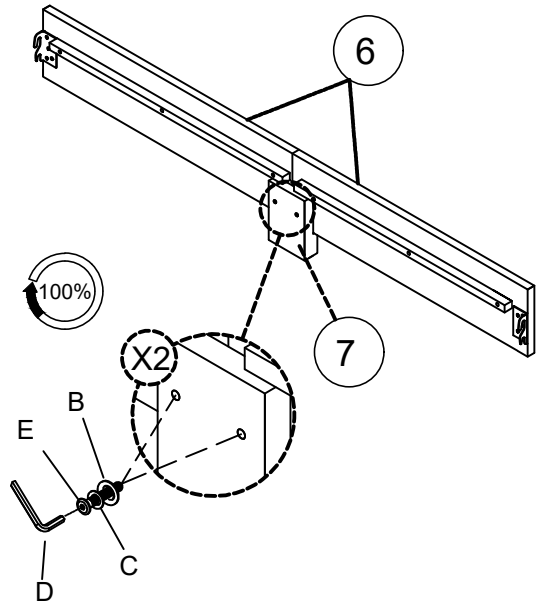


STEP 2


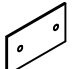


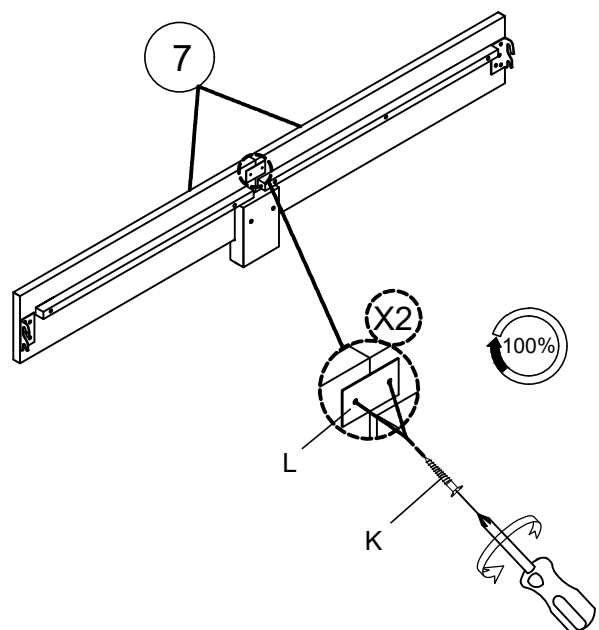
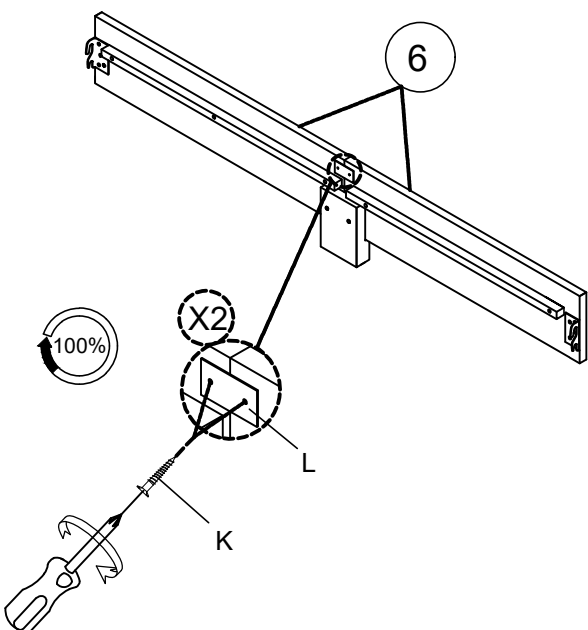
STEP 3

E x 4 	B x 4 	C x 4 	D x 1 
--	--	--	--

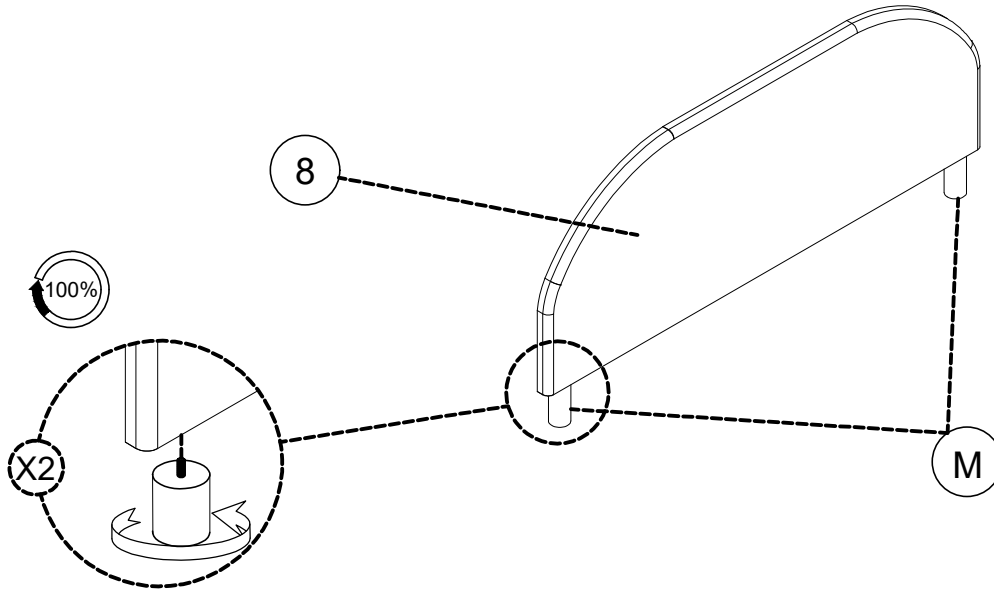
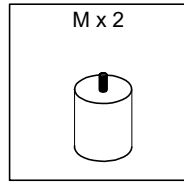


STEP 4

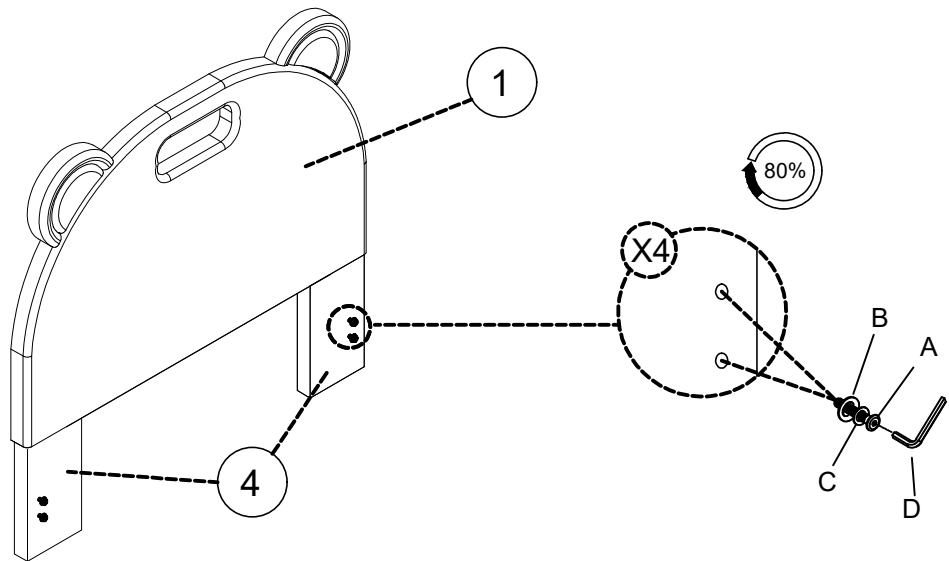
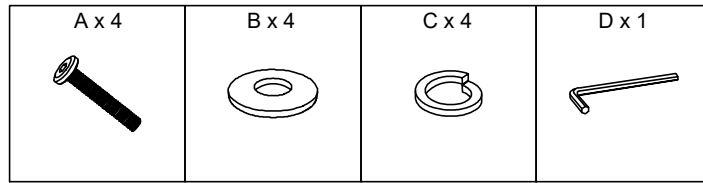
K x 4 	L x 2 
--	--



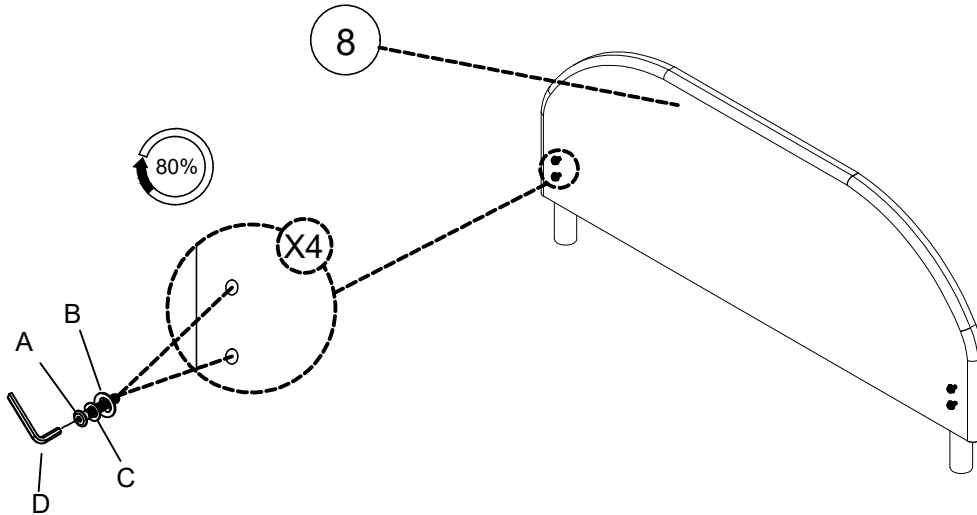
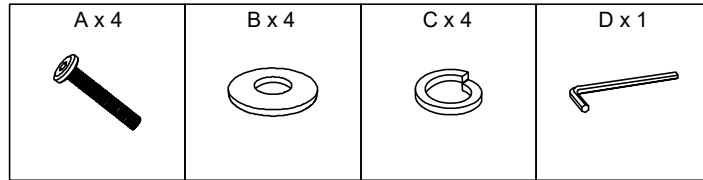
STEP 5



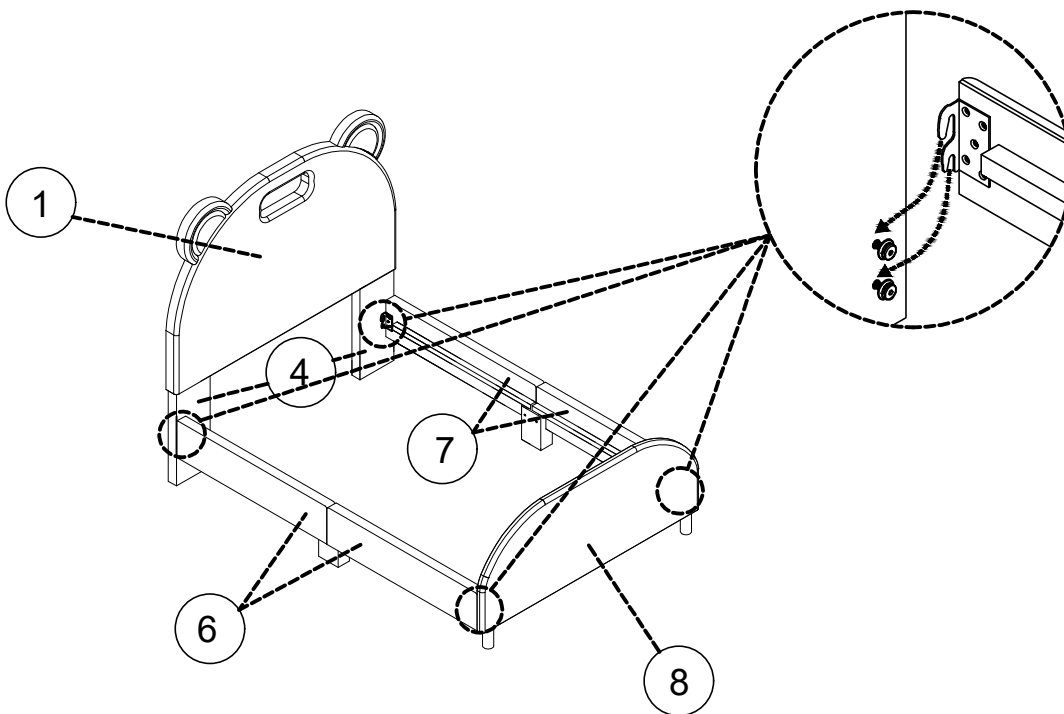
STEP 6



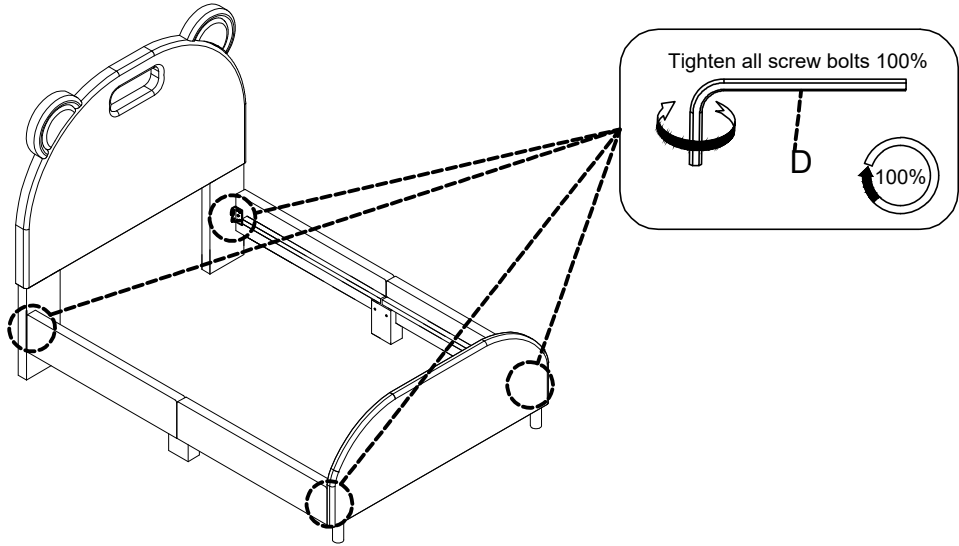
STEP 7



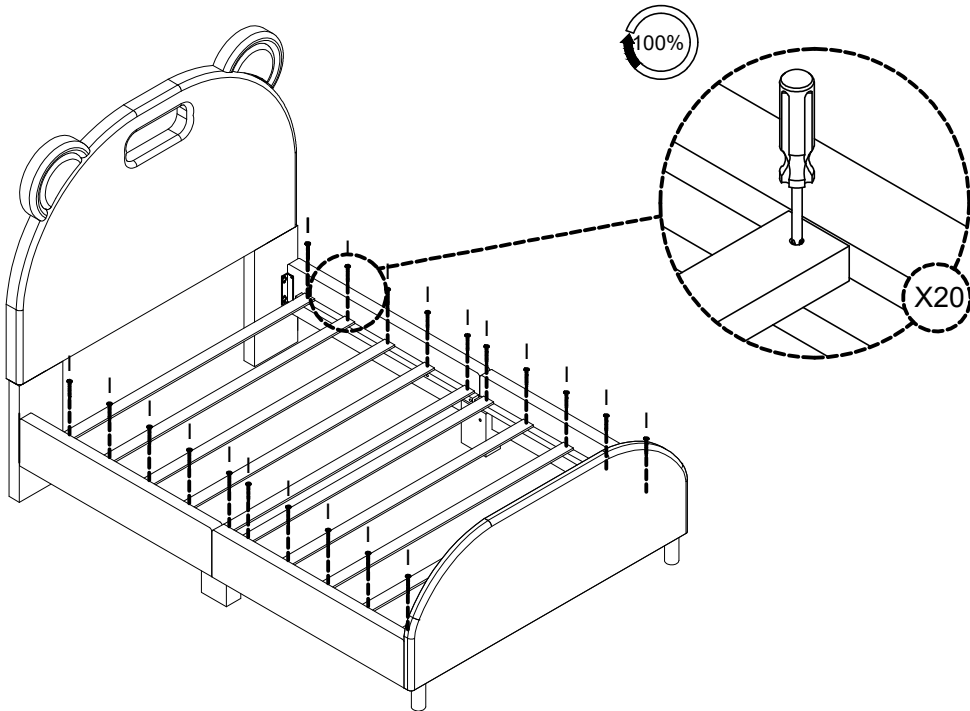
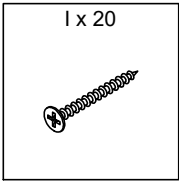
STEP 8



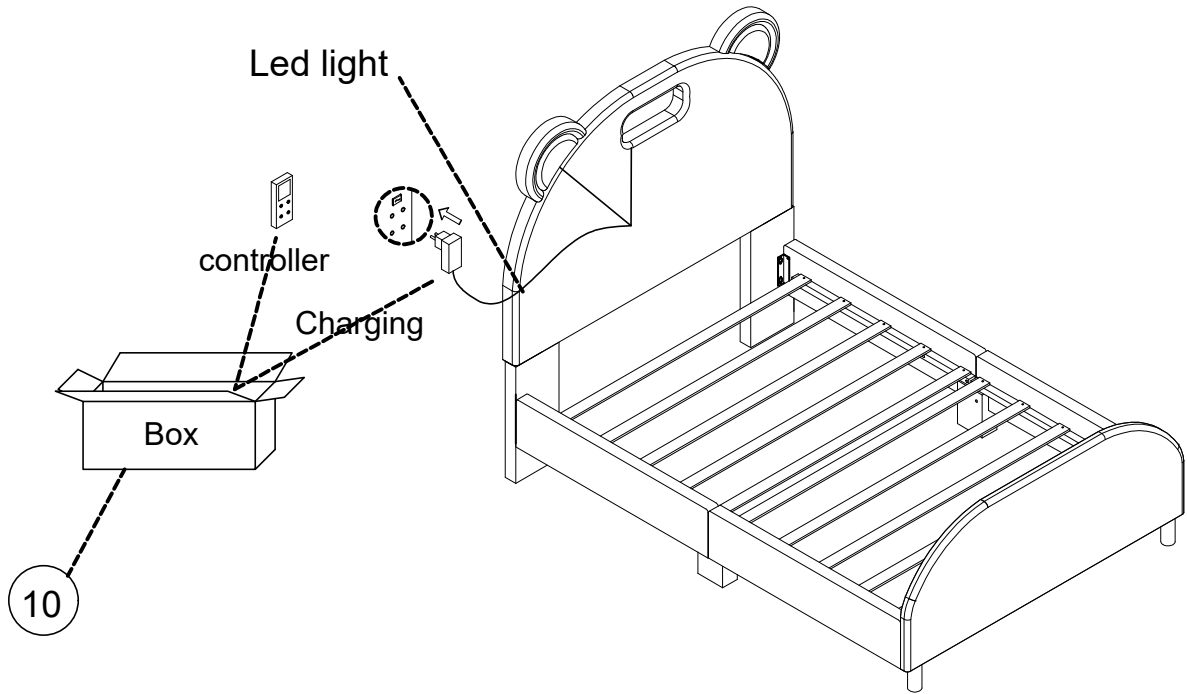
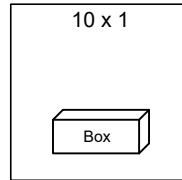
STEP 9



STEP 10



STEP 11



COMPLETE

