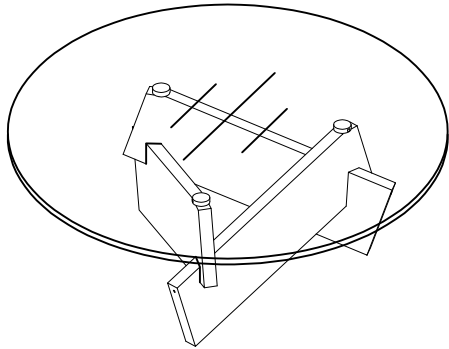


Assembly Instruction

NOTICE: Before assembly, move all parts and place them on a soft surface.

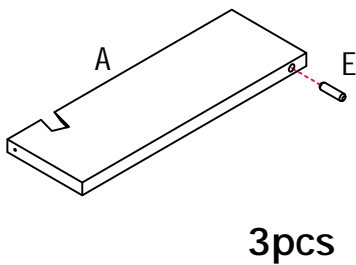


Note: If you find any missing or damaged accessories in your package, please contact us promptly and we will send you the corresponding accessories for free.

Hardware & Component

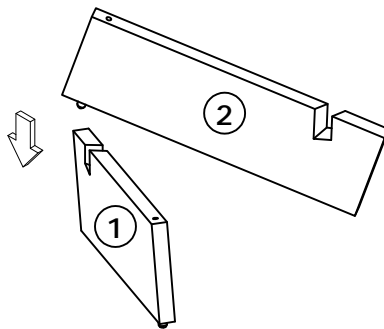
NAME	PICTURE	QTY
Panel		1
Part A		3
Part B		3
Part C		3
Part D		6
Part E		3
Hex key		1
Screwdriver		1

Step1



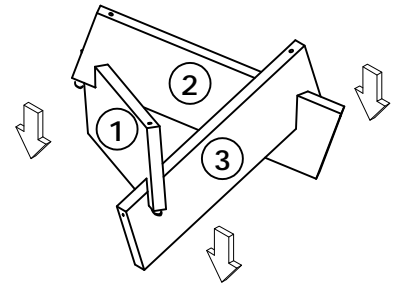
Insert the Part E into the corresponding hole on the Part A.

Step2



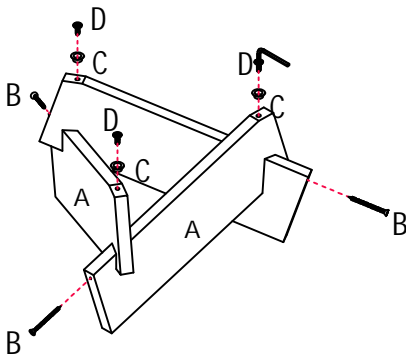
Insert table leg 2 into the groove of table leg 1.

Step3



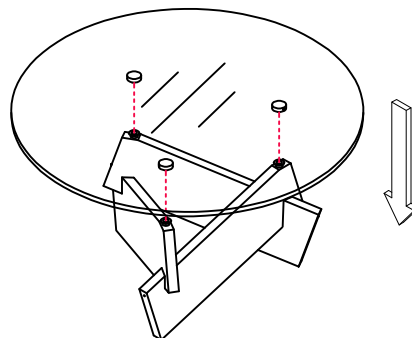
Lift one end of table leg 1 and place it on table leg 3. Then place leg 3 on leg 2 and firmly press all the table legs together.

Step4



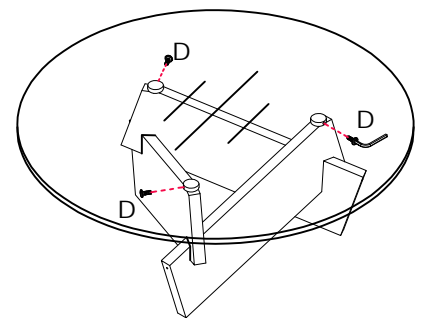
Install Part C onto Part A, and secure them with Part D. Then screw the Part B into the corresponding holes one by one.

Step5



As shown in the picture, align the holes and place the panel on the table legs.

Step6



Screw the Part D into the corresponding hole.