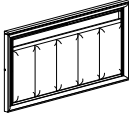
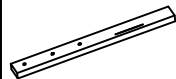


# ASSEMBLY INSTRUCTION



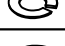


## DESCRIPTION : QUEEN HEADBOARD

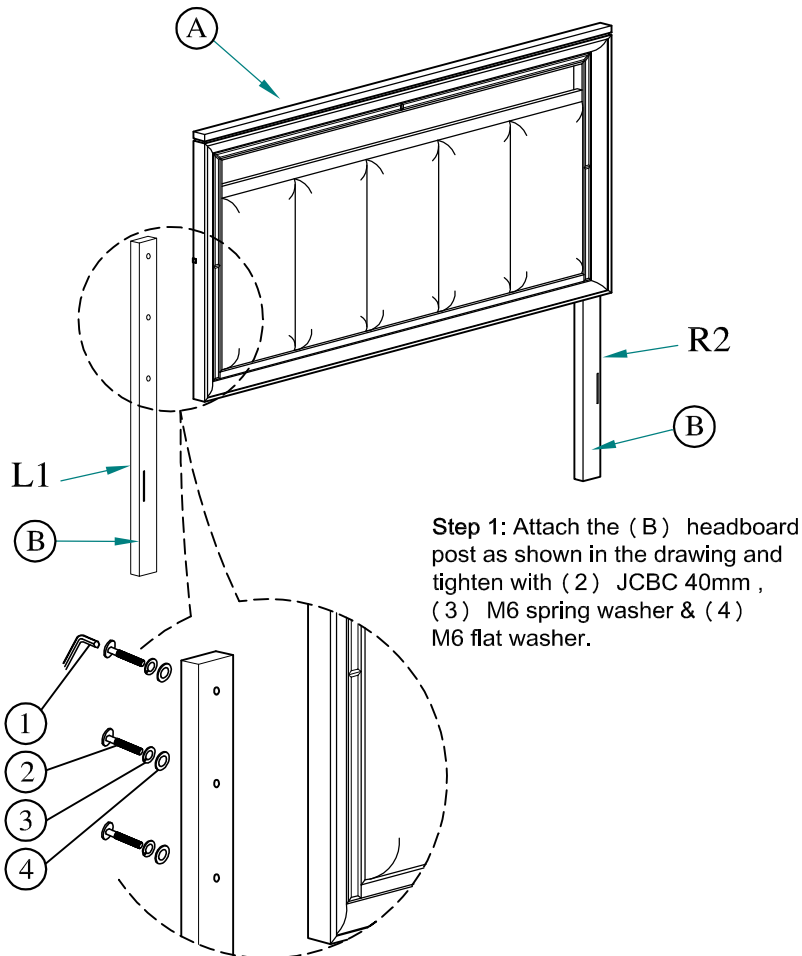
Thank you for purchasing this quality product. Be sure to check all packing material carefully for small parts which may have loose inside the carton during shipment. Identify and count all parts and compare with the parts list below.

### (BOX 1) BOX OF HEADBOARD

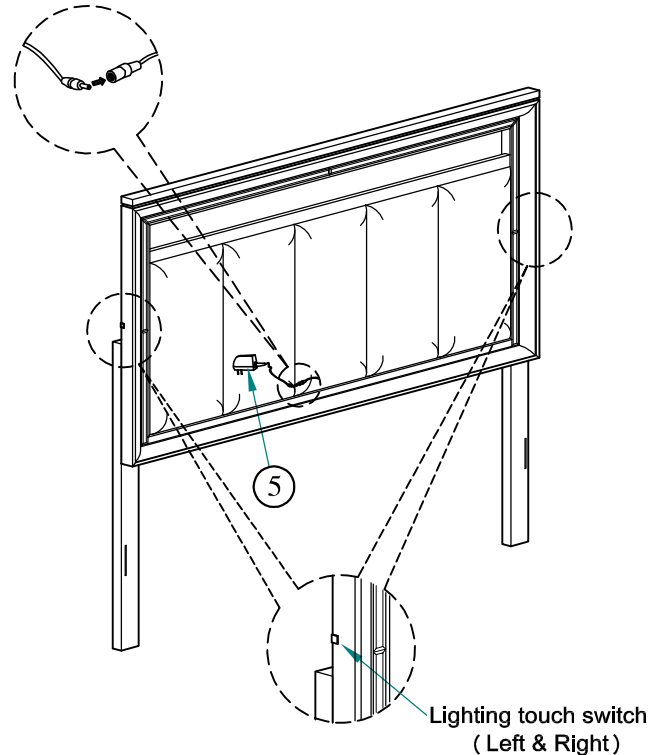
NO	DRAWING	DESCRIPTION	QTY
A		Headboard	1pc
B		Headboard Post - (L/R)	2pcs

### (BOX 1) HARDWARE LIST

NO	DRAWING	DESCRIPTION	QTY
1		Allen key	1pc
2		JCBC 40mm	6pcs
3		M6 Spring washer	6pcs
4		M6 Flat washer	6pcs
5		AC/DC Adapter	1pc



Ensure adapter socket connect to behind Headboard socket



### THE HARDWARE IS LOCATED IN THE PACKING ITEM

NOTE : MUST TIGHTEN SCREW PERIODICALLY. WITH USE SCREW MAY BECOME LOOSE. CHECK TIGHTNESS OF ALL SCREW EVERY 6-8 WEEKS.

### CLEANING INSTRUCTION


After assembly , clean & polish the completed parts if necessary with softcloth and industrial recognized furniture polish

# ASSEMBLY INSTRUCTION




## DESCRIPTION : QUEEN HEADBOARD / QUEEN FOOTBOARD / KING/QUEEN RAIL

Thank you for purchasing this quality product. Be sure to check all packing material carefully for small parts which may have loose inside the carton during shipment. Identify and count all parts and compare with the parts list below.




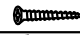

### (BOX 1) BOX OF HEADBOARD & HEADBOARD POST

NO	DRAWING	DESCRIPTION	QTY
A		Headboard	1pc


### (BOX 2) BOX OF FOOTBOARD

NO	DRAWING	DESCRIPTION	QTY
B		Footboard	1pc
C		Slat	4pcs
D		Slat support leg	4pcs

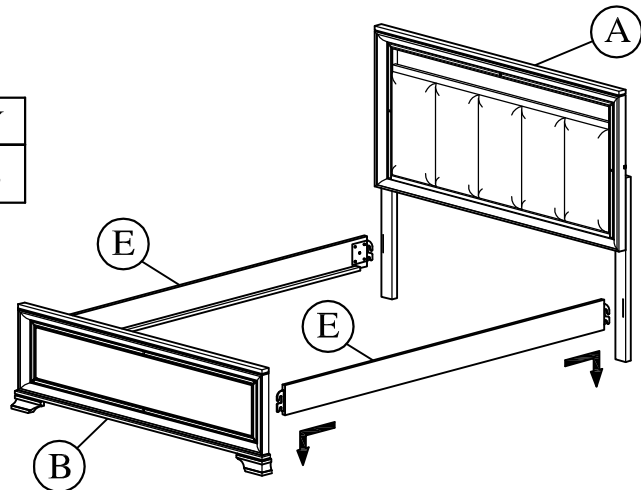
### (BOX 2) HARDWARE LIST

NO	DRAWING	DESCRIPTION	QTY
1		Allen key	1pc
2		JCBC 35mm	4pcs
3		M6 Spring washer	4pcs
4		Screw 32mm	8pcs
5		Adjustable Leveler	4pcs

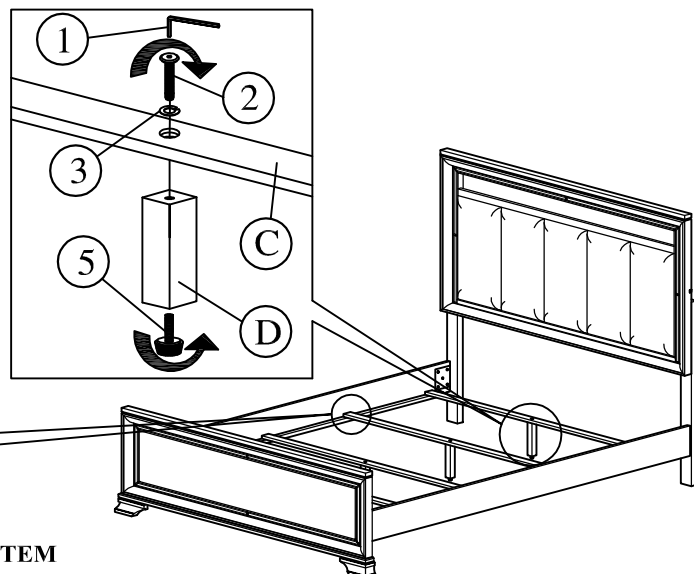
### (BOX 3) BOX OF SIDE RAIL

NO	DRAWING	DESCRIPTION	QTY
E		Side Rail	2pcs

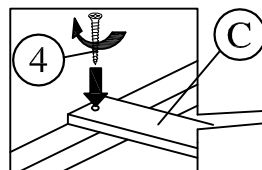
**Step 1:** Attach the (E) Side Rail to the (A) Headboard & (B) Footboard.



**Step 2:** Attach (D) Slat Support Leg to the bottom of Slat using (2) JCBC 35mm and (3) M6 Spring Washer. Attach the (5) Adjustable Leveler and adjust it to level the bed with the floor.



**Step 3:** Secure the (C) Slat using the (4) Screw 32mm provided.



### THE HARDWARE IS LOCATED IN THE PACKING ITEM

NOTE : MUST TIGHTEN SCREW PERIODICALLY. WITH USE SCREW MAY BECOME LOOSE. CHECK TIGHTNESS OF ALL SCREW EVERY 6-8 WEEKS.

### CLEANING INSTRUCTION

After assembly , clean & polish the completed parts if necessary with softcloth and industrial recognized furniture polish