
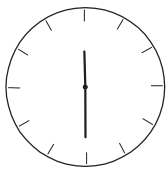
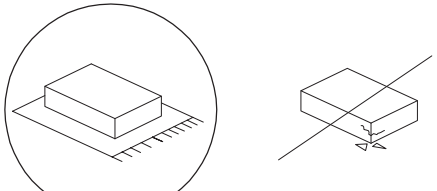

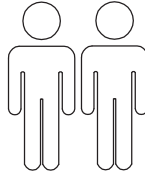
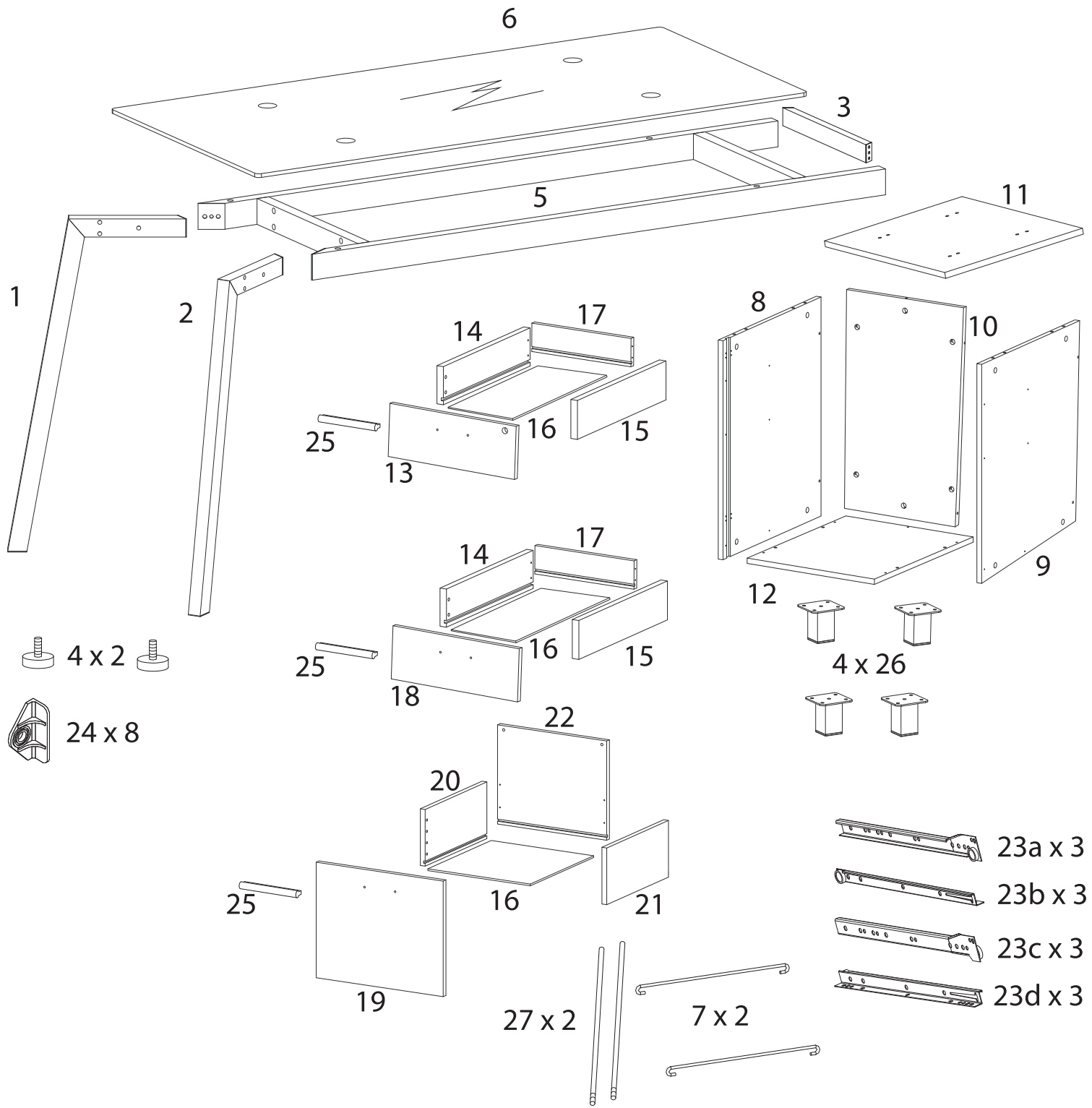
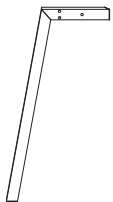
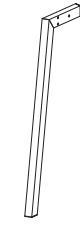
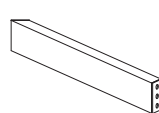
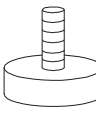
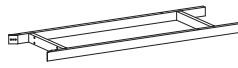
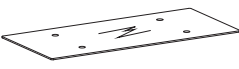




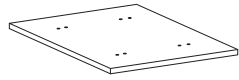
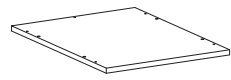
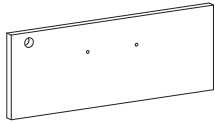
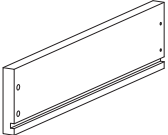
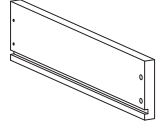
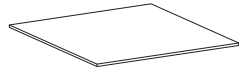
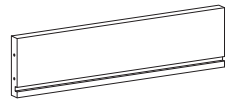
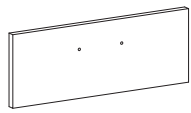
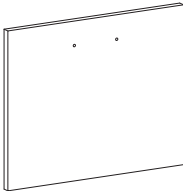
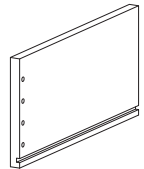
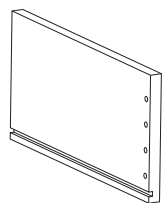
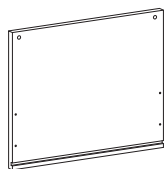
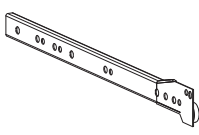
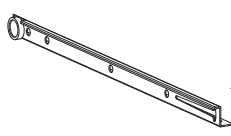
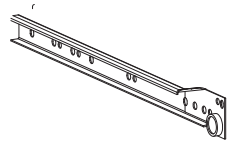
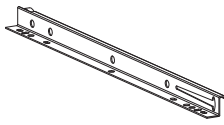
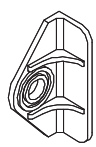


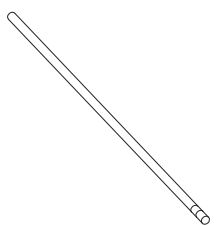
 A circular icon containing a screwdriver. To its right is a power drill with a diagonal line through it, indicating it should not be used.		
 A circular icon containing a screw being inserted into a block. To its right is a block with a diagonal line through it, indicating it should not be used.		

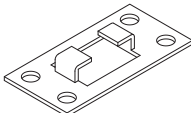
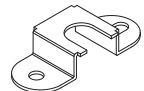
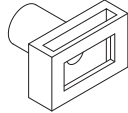
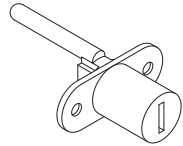
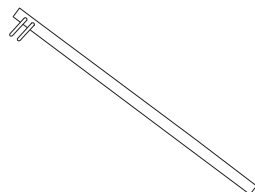
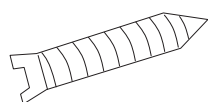
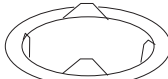


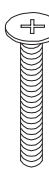
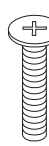
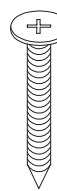
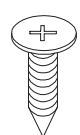
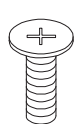
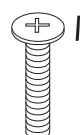
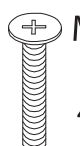
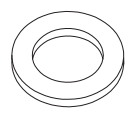

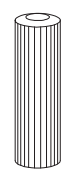


30'

2

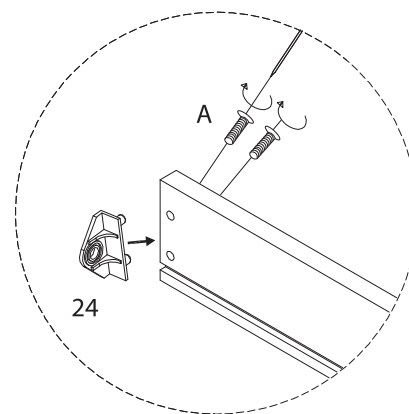
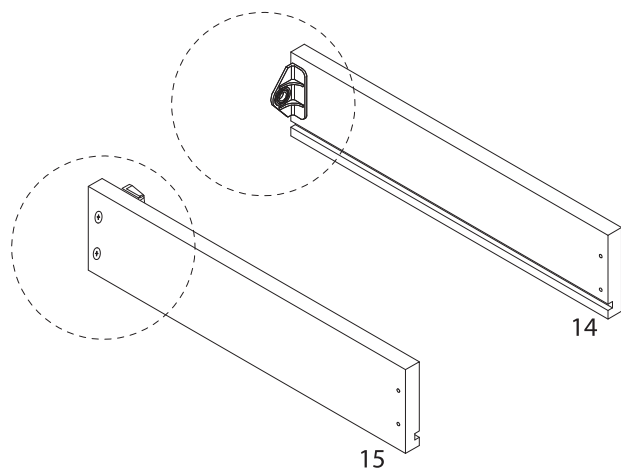
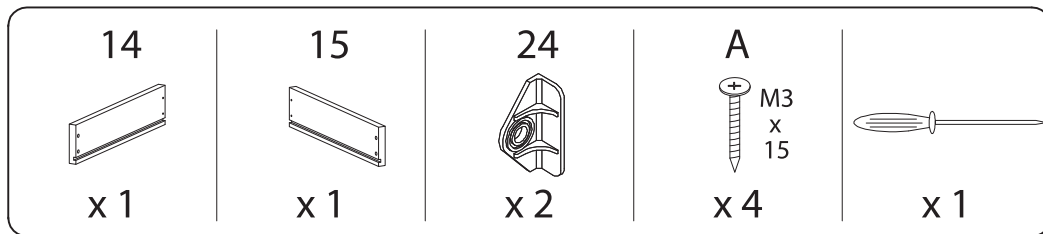


<p>1</p>  <p>x 1</p>	<p>2</p>  <p>x 1</p>	<p>3</p>  <p>x 1</p>	<p>4</p>  <p>x 2</p>	<p>5</p>  <p>x 1</p>
---	---	---	---	---

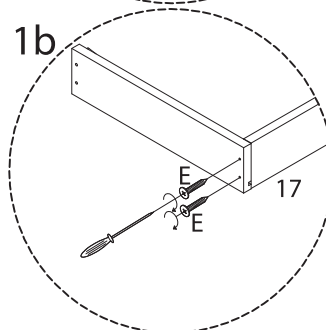
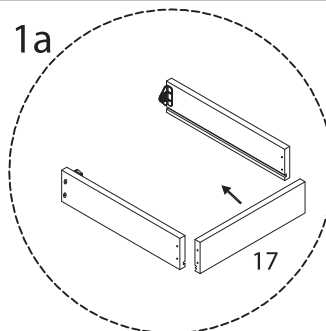
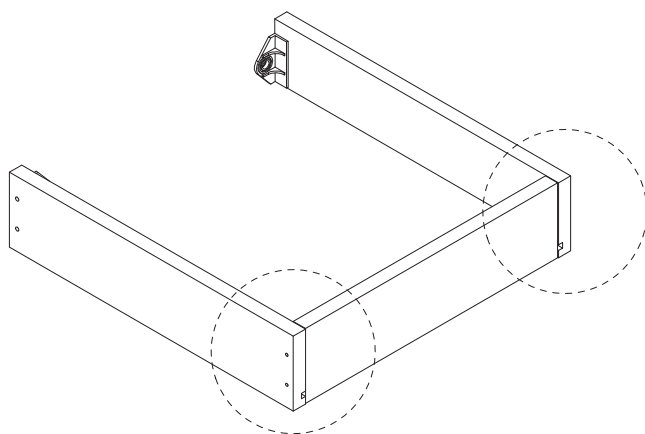
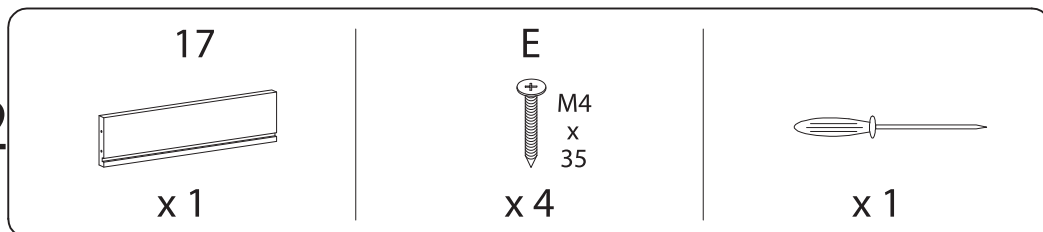
<p>6</p>  <p>x 1</p>	<p>7</p>  <p>x 2</p>	<p>8</p>  <p>x 1</p>	<p>9</p>  <p>x 1</p>	<p>10</p>  <p>x 1</p>
<p>11</p>  <p>x 1</p>	<p>12</p>  <p>x 1</p>	<p>13</p>  <p>x 1</p>	<p>14</p>  <p>x 2</p>	<p>15</p>  <p>x 2</p>
<p>16</p>  <p>x 3</p>	<p>17</p>  <p>x 2</p>	<p>18</p>  <p>x 1</p>	<p>19</p>  <p>x 1</p>	<p>20</p>  <p>x 1</p>
<p>21</p>  <p>x 1</p>	<p>22</p>  <p>x 1</p>	<p>23a</p>  <p>x 3</p>	<p>23b</p>  <p>x 3</p>	<p>23c</p>  <p>x 3</p>
<p>23d</p>  <p>x 3</p>	<p>24</p>  <p>x 8</p>	<p>25</p>  <p>x 3</p>	<p>26</p>  <p>x 4</p>	<p>27</p>  <p>x 2</p>

<p>28a</p>  <p>x 2</p>	<p>28b</p>  <p>x 3</p>	<p>28c</p>  <p>x 3</p>	<p>28d</p>  <p>x 1</p>	
<p>28e</p>  <p>x 1</p>	<p>28f</p>  <p>x 3</p>	<p>28g</p>  <p>x 1</p>	<p>A</p>  <p>M3 x 15</p> <p>x 56</p>	
<p>B</p>  <p>M6 x 40</p> <p>x 14</p>	<p>C</p>  <p>M6 x 60</p> <p>x 2</p>	<p>D</p>  <p>M6 x 40</p> <p>x 6</p>	<p>E</p>  <p>M4 x 35</p> <p>x 12</p>	
<p>F</p>  <p>M4 x 14</p> <p>x 16</p>	<p>G</p>  <p>M6 x 15</p> <p>x 8</p>	<p>H</p>  <p>M6 x 30</p> <p>x 8</p>	<p>I</p>  <p>M6 x 45</p> <p>x 2</p>	
<p>J</p>  <p>x 6</p>	<p>K</p>  <p>M4 x 20</p> <p>x 6</p>	<p>L</p>  <p>x 8</p>	<p>M</p>  <p>x 14</p>	 <p>x 1</p>

1x2

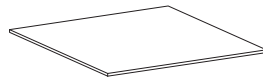


2x2

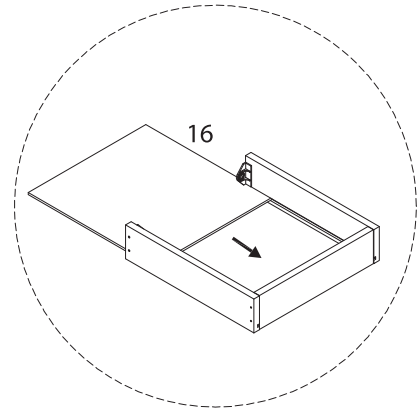
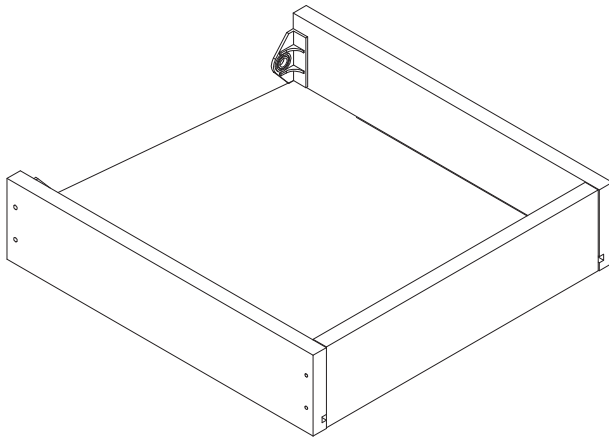


3x2

16

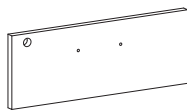


x 1



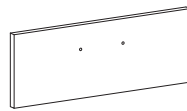
4

13



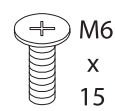
x 1

18



x 1

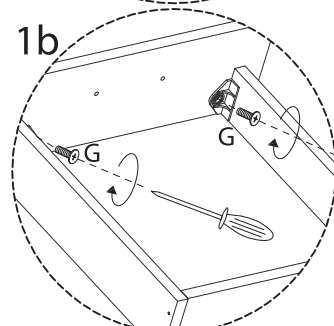
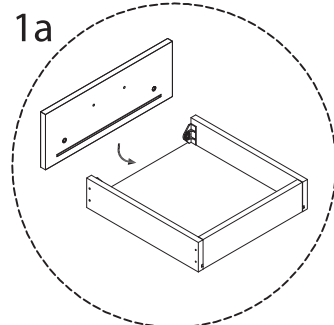
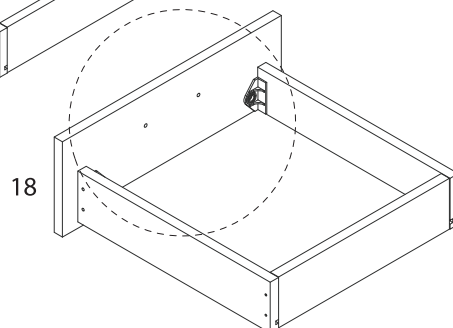
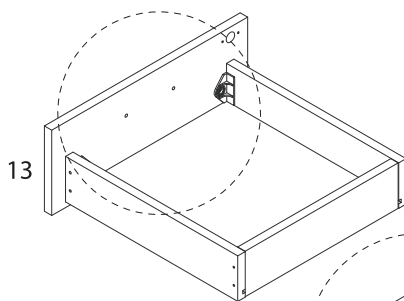
G



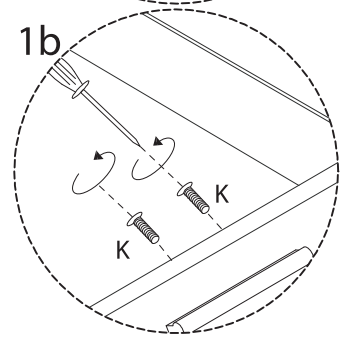
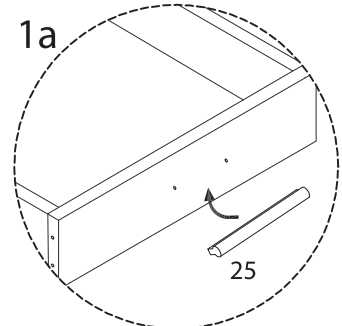
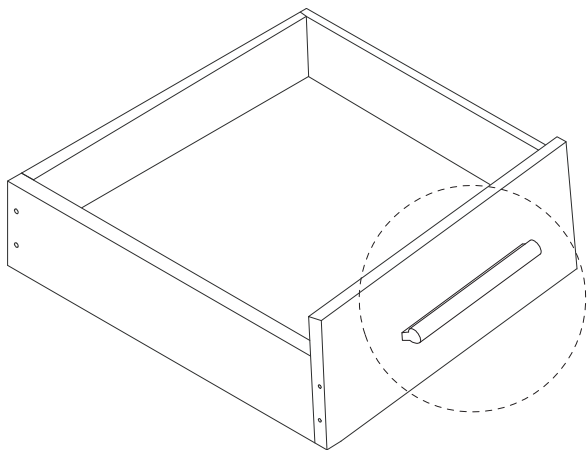
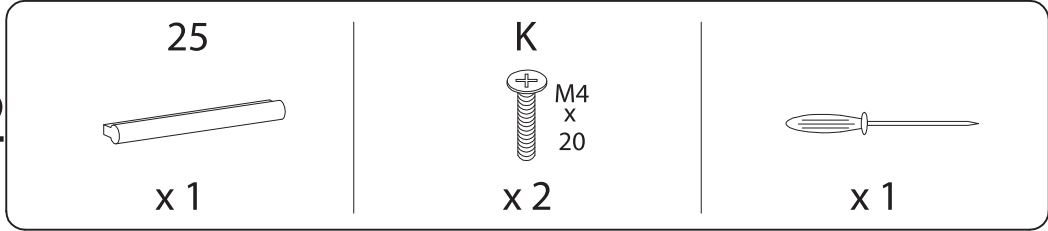
x 4



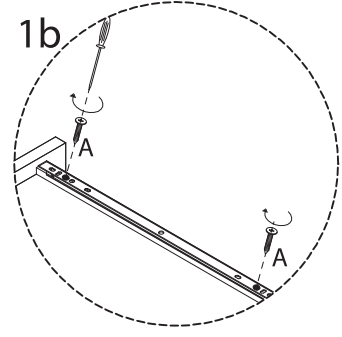
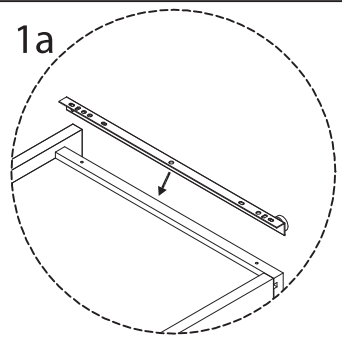
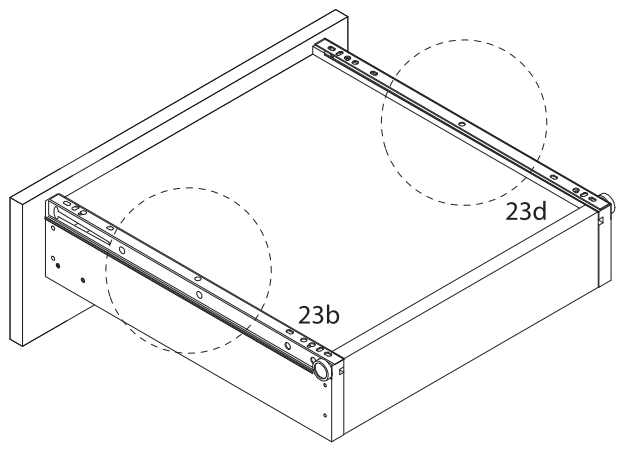
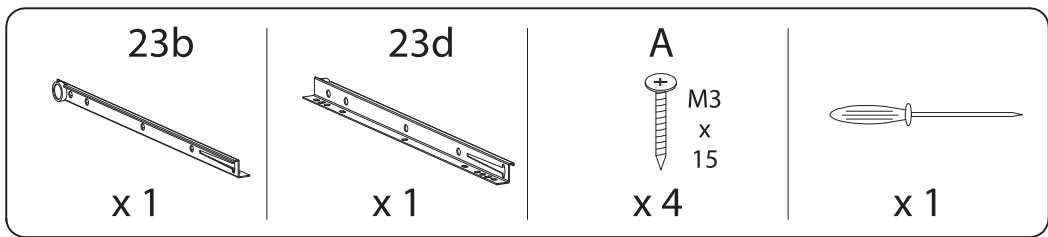
x 1



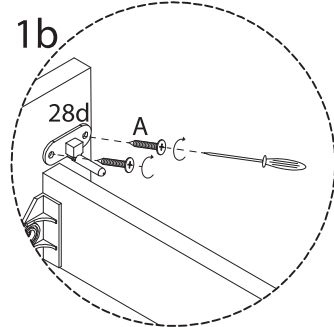
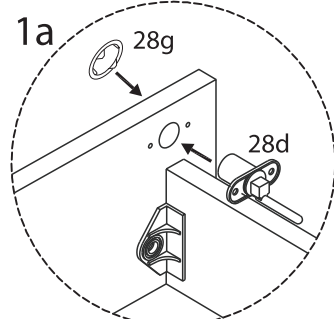
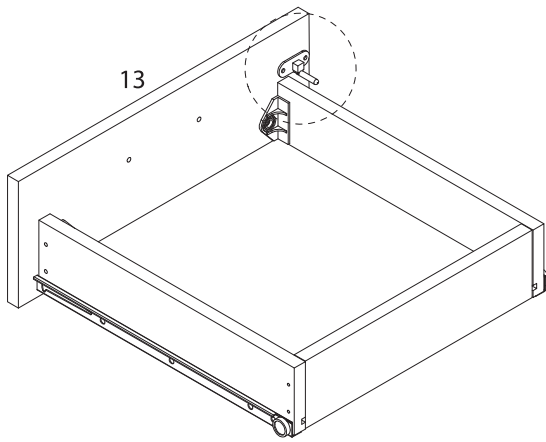
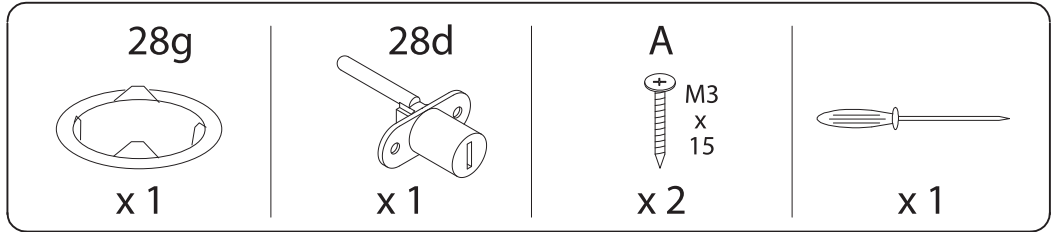
5x2



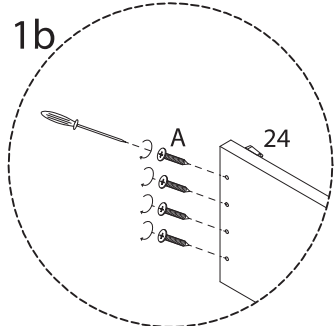
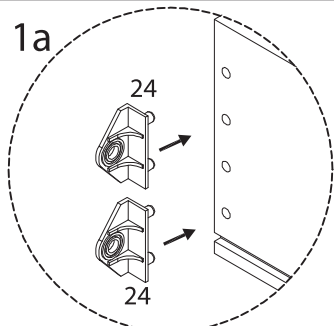
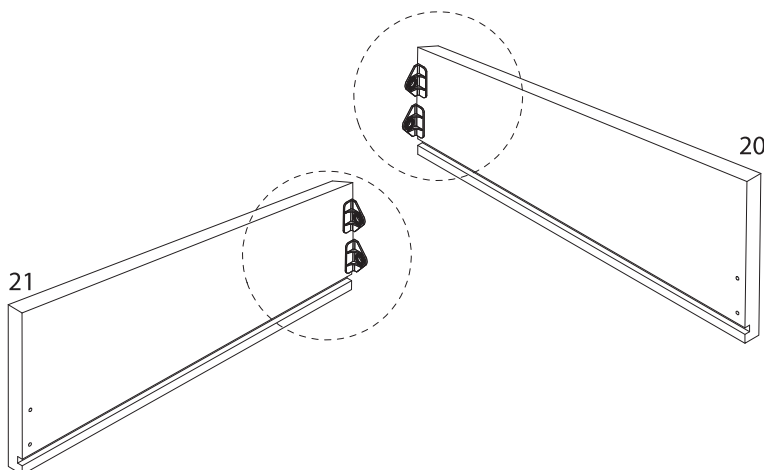
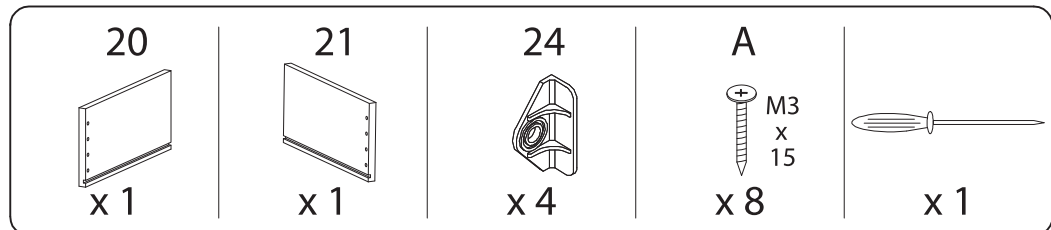
6x2



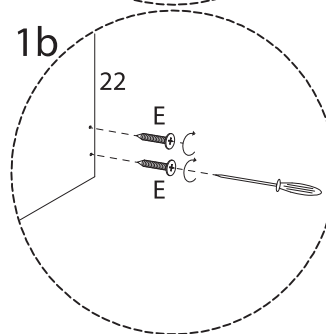
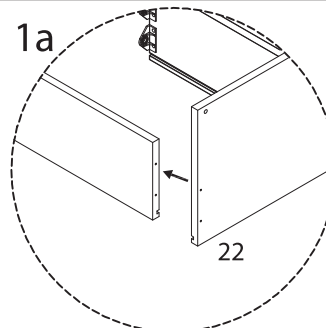
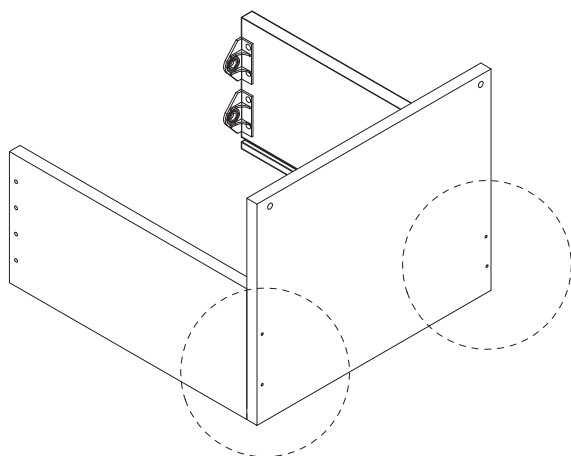
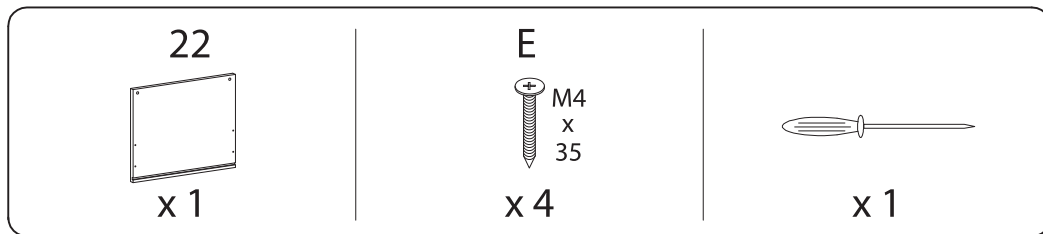
7



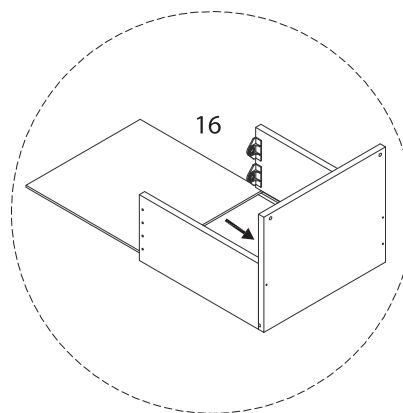
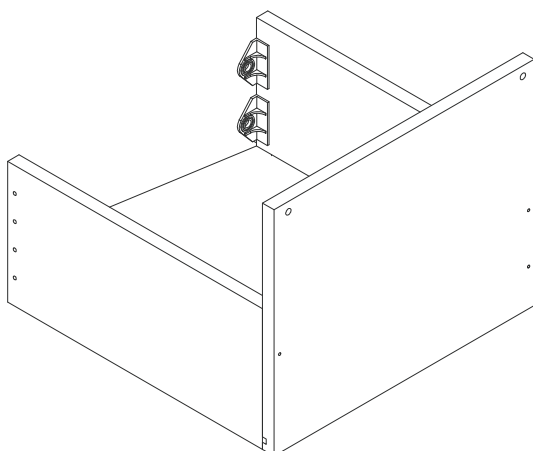
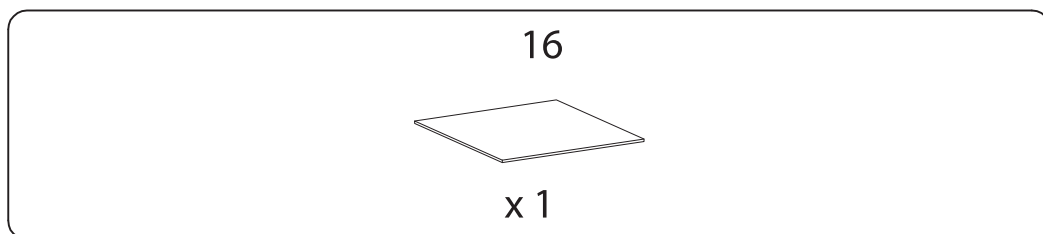
8



9

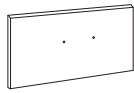


10



11

19

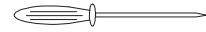


x 1

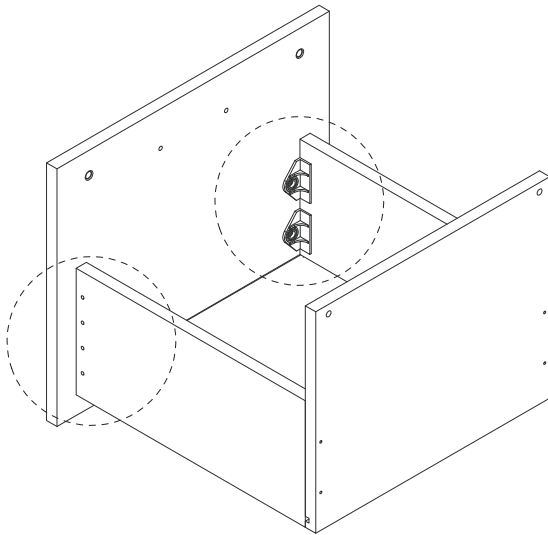
G



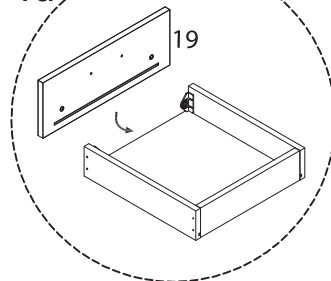
x 4



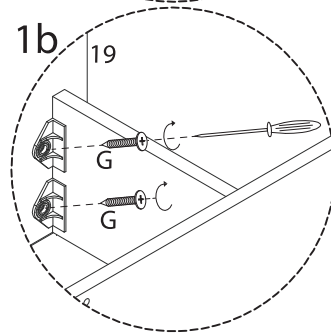
x 1



1a



1b



12

25



x 1

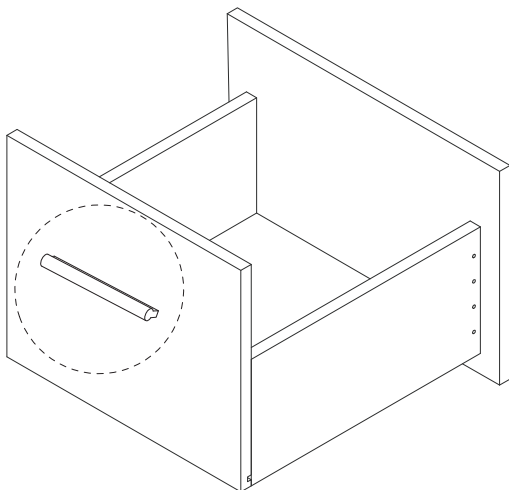
K



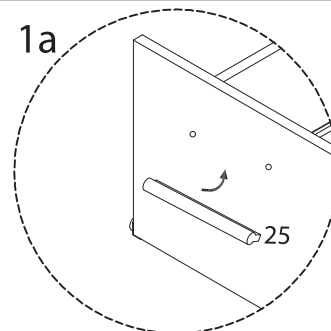
x 2



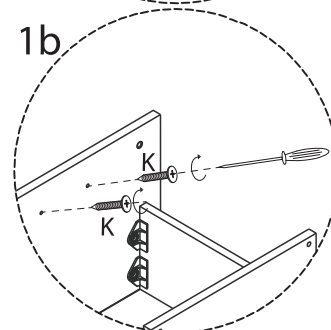
x 1



1a



1b



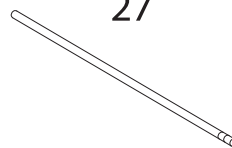
13

7

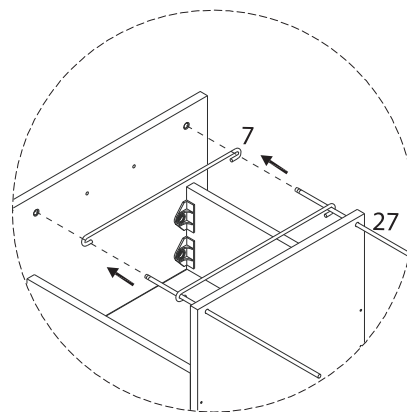
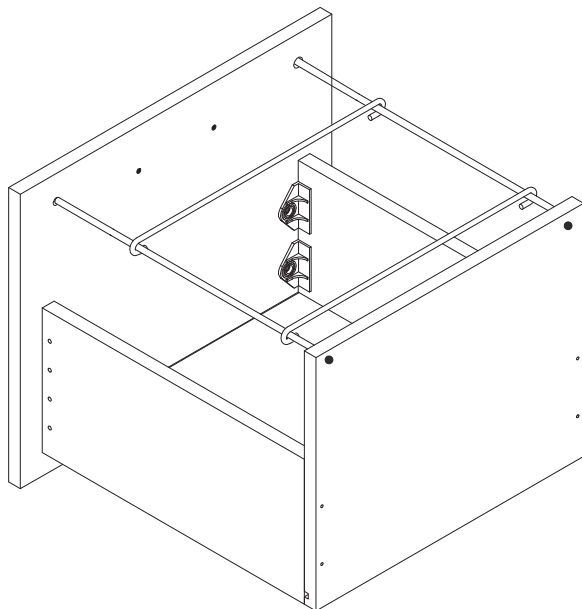


x 2

27

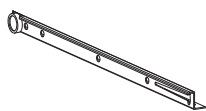


x 2



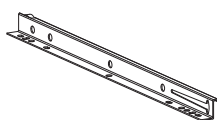
14

23b



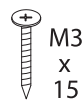
x 1

23d



x 1

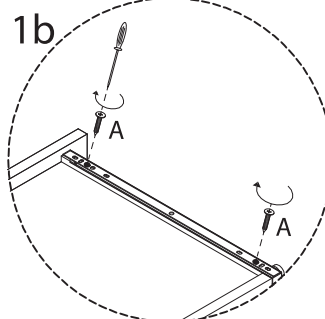
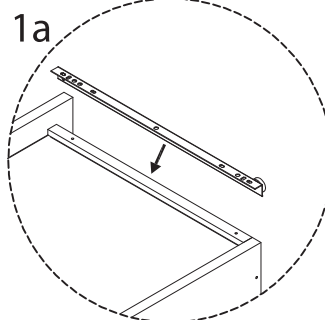
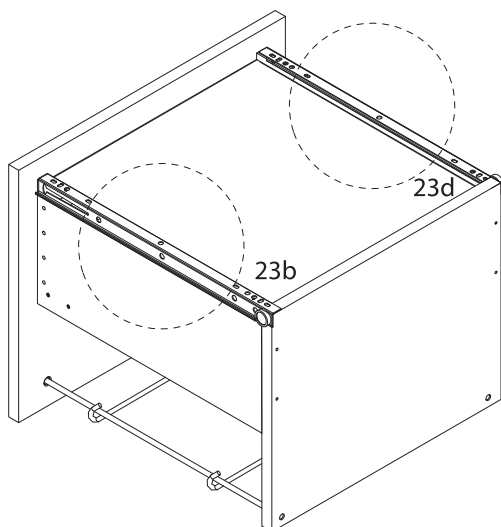
A



x 4

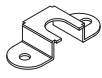


x 1



15

28b



x 3

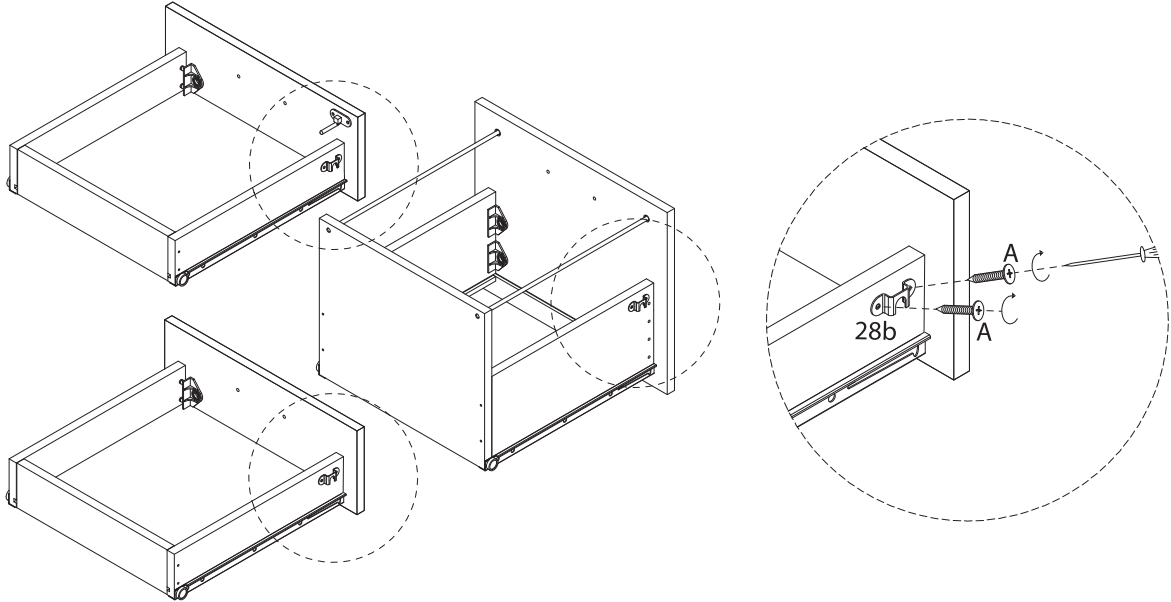
A



x 6

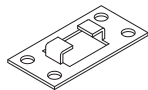


x 1



16

28a



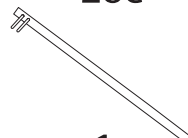
x 2

28c



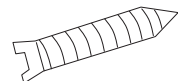
x 3

28e

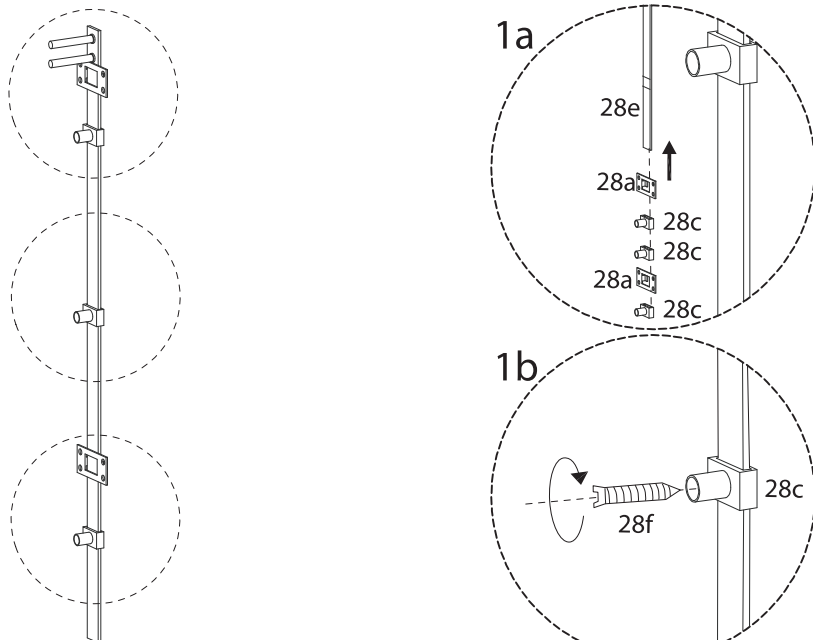


x 1

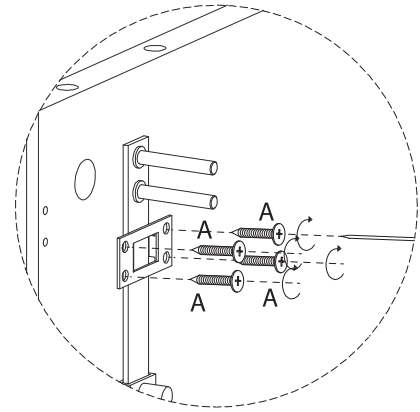
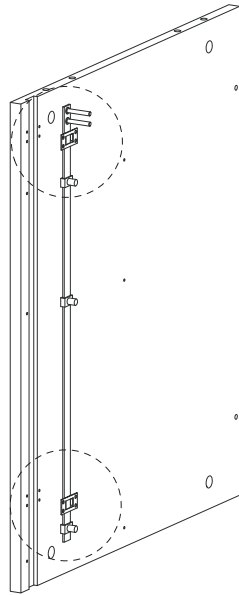
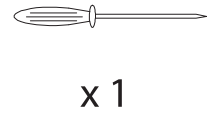
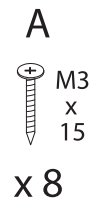
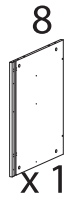
28f



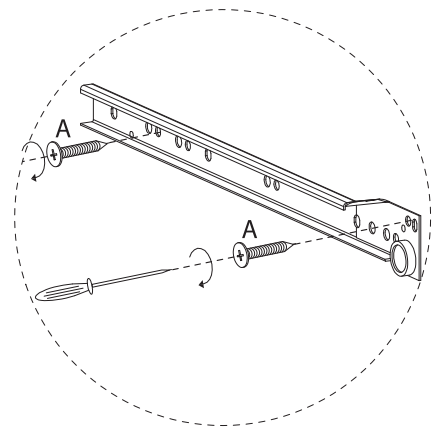
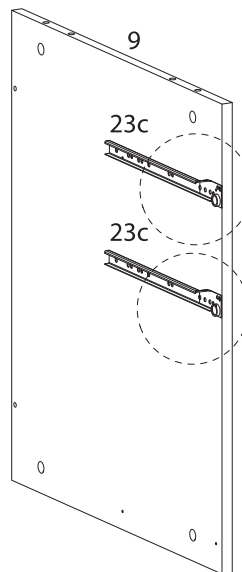
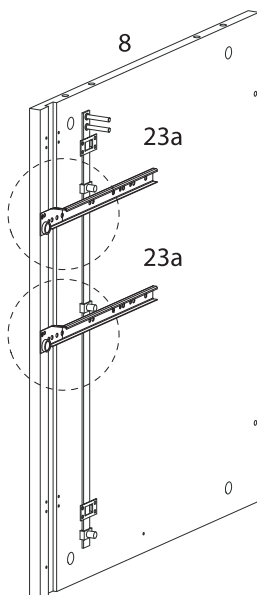
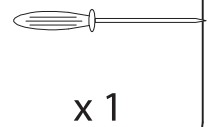
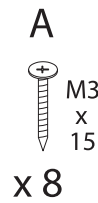
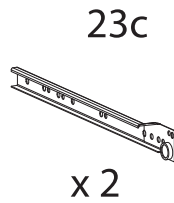
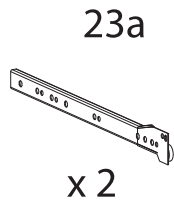
x 3



17



18

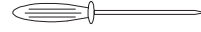


19

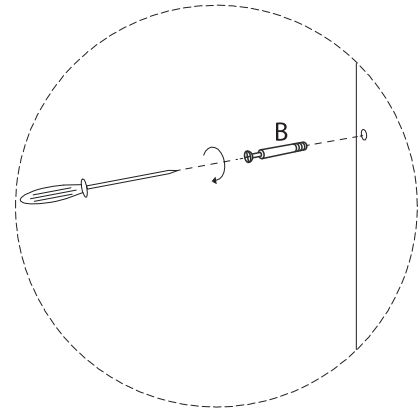
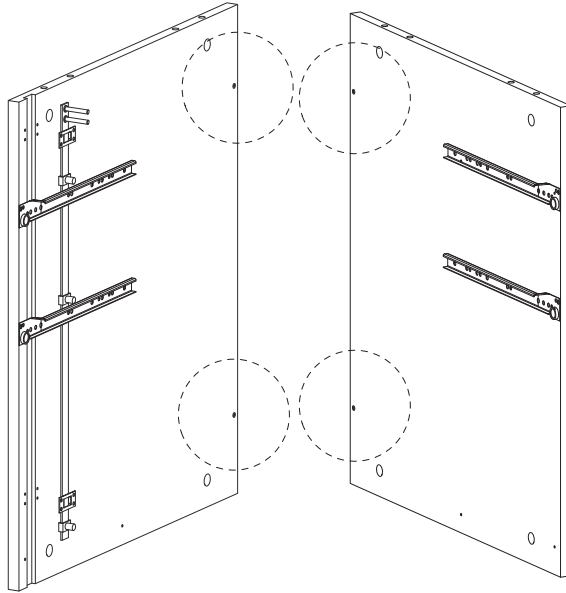
B

M6
x
40

x 4

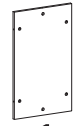


x 1



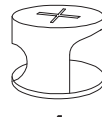
20

10



x 1

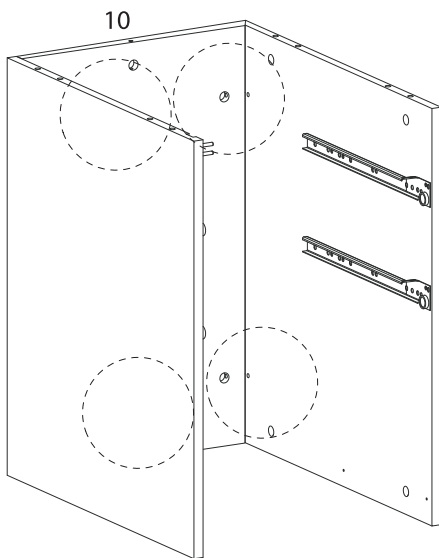
M



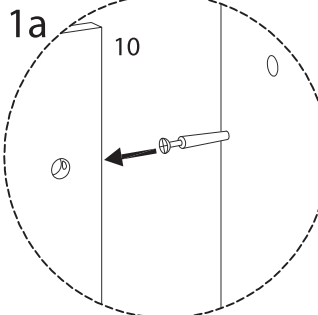
x 4



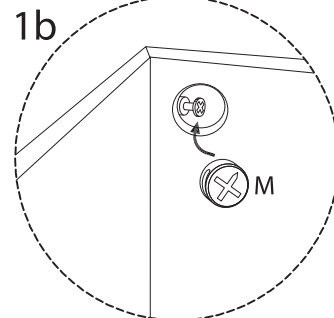
x 1



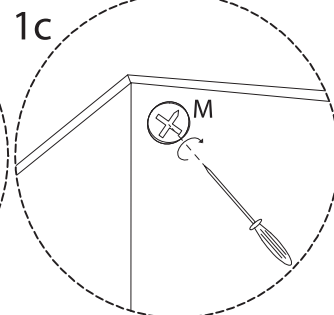
1a



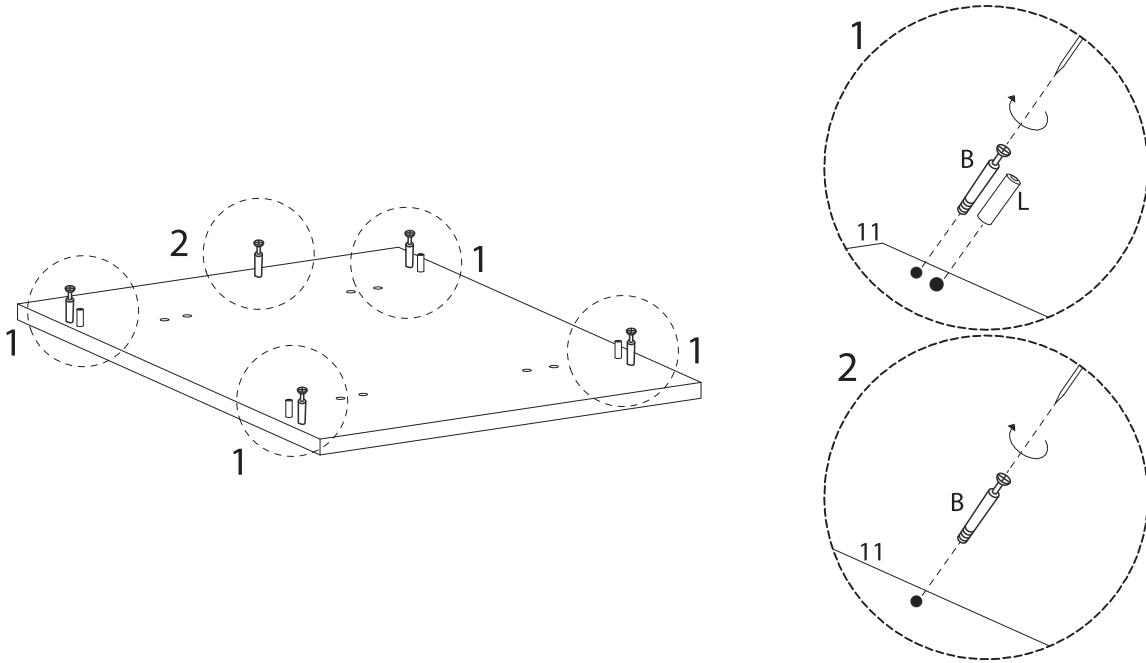
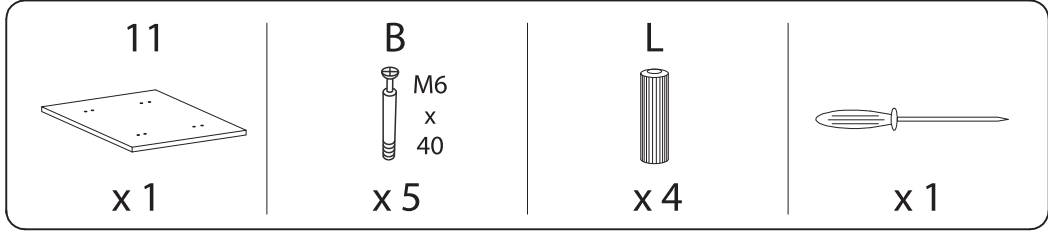
1b



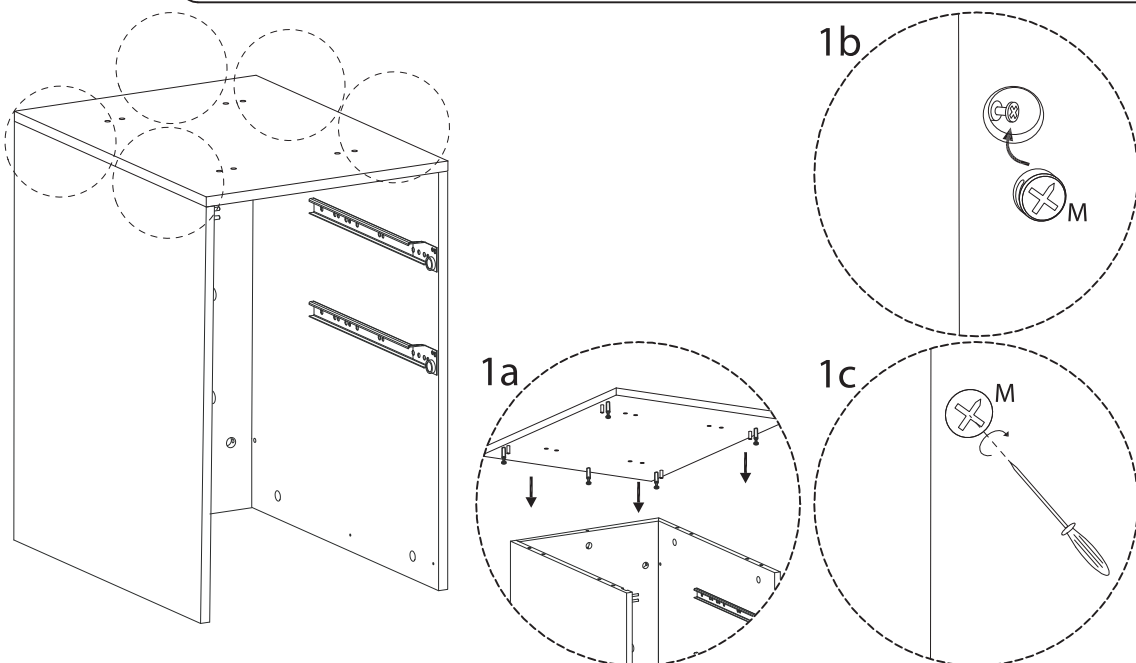
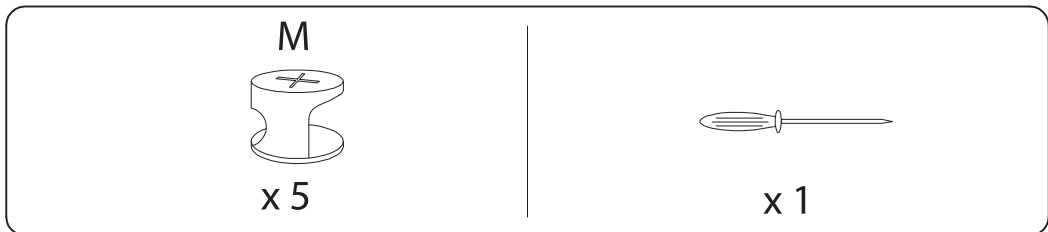
1c



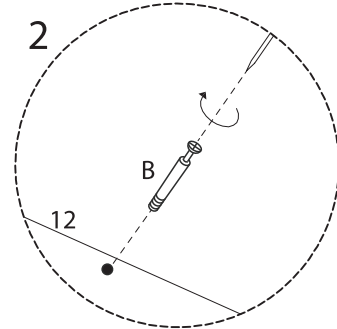
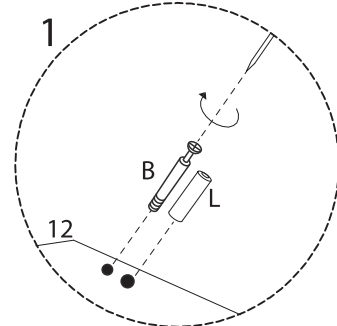
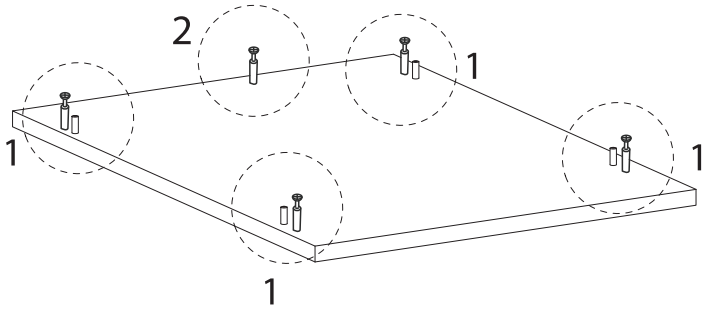
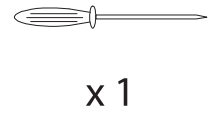
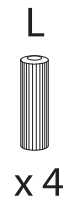
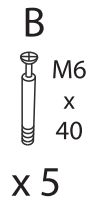
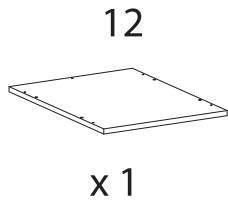
21



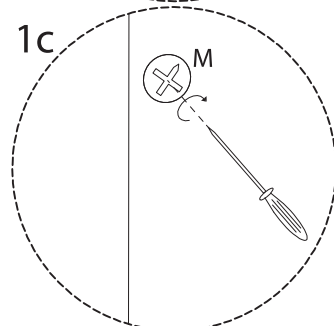
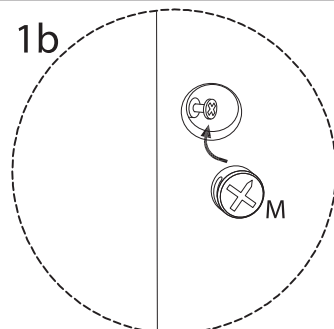
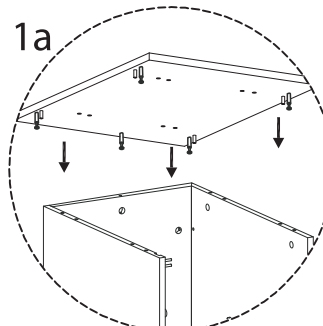
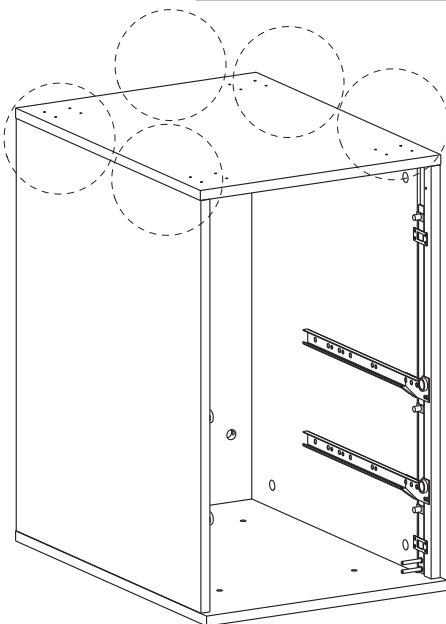
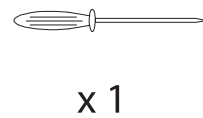
22



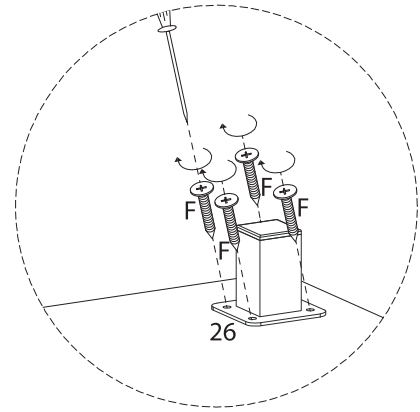
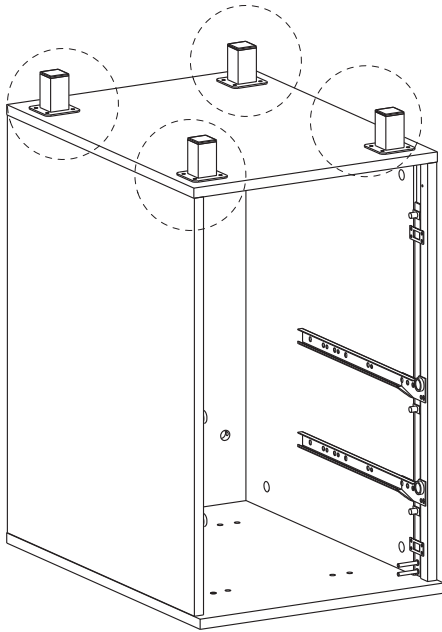
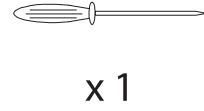
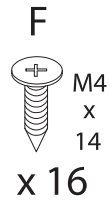
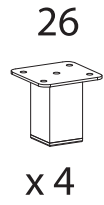
23



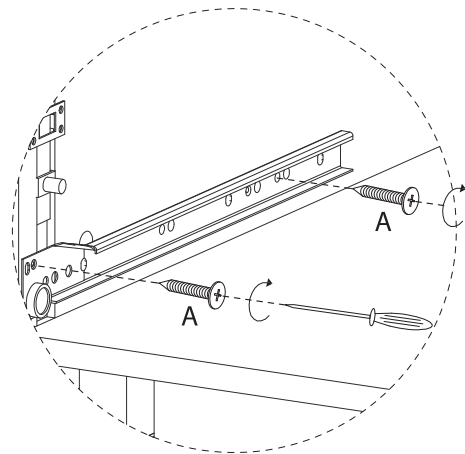
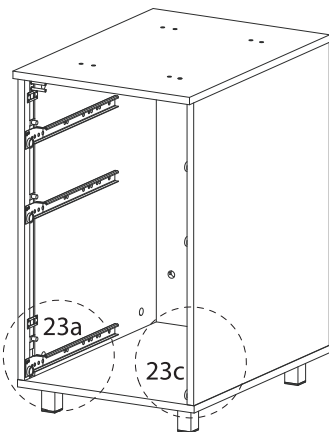
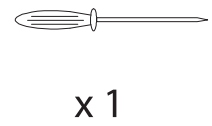
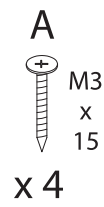
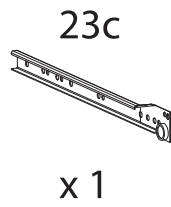
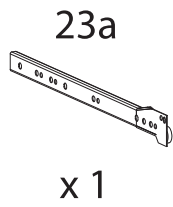
24



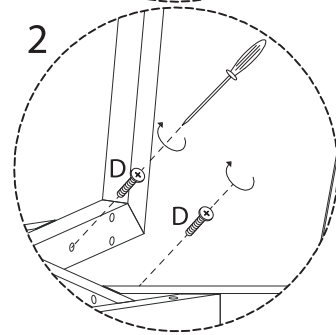
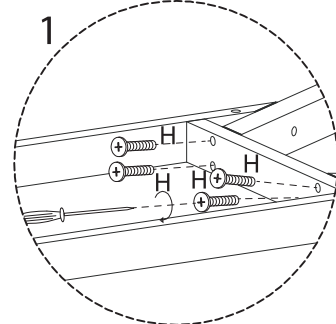
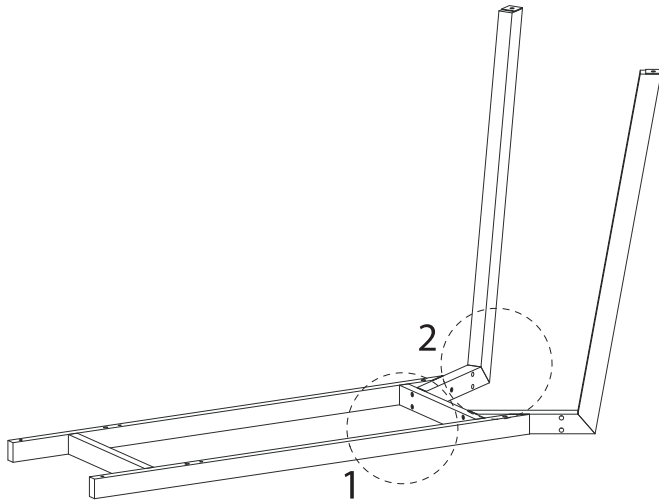
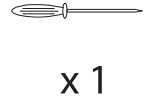
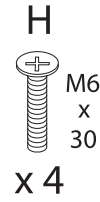
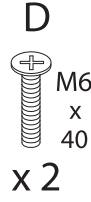
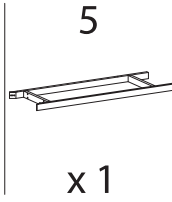
25



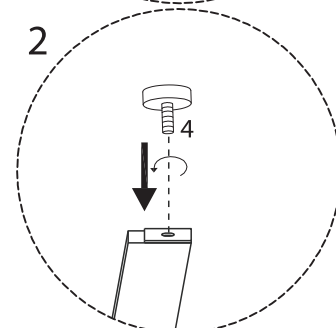
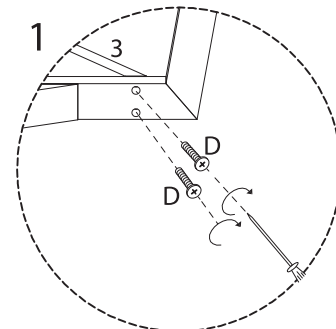
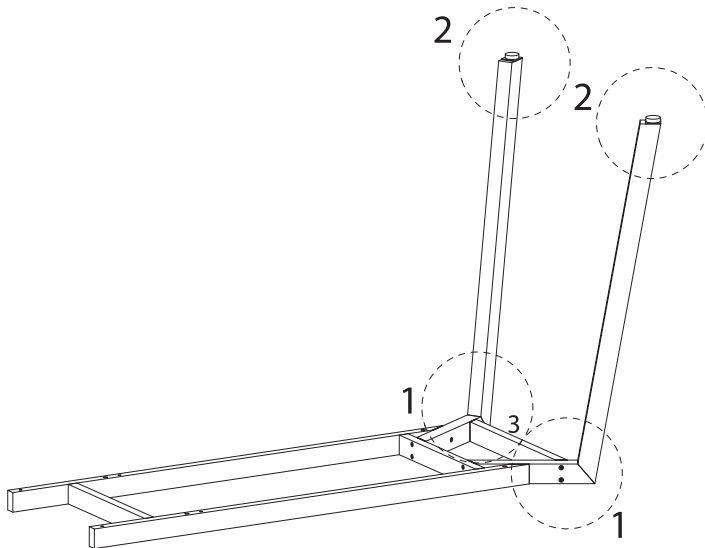
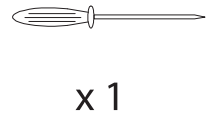
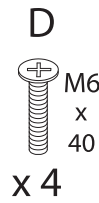
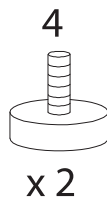
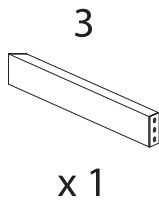
26



27

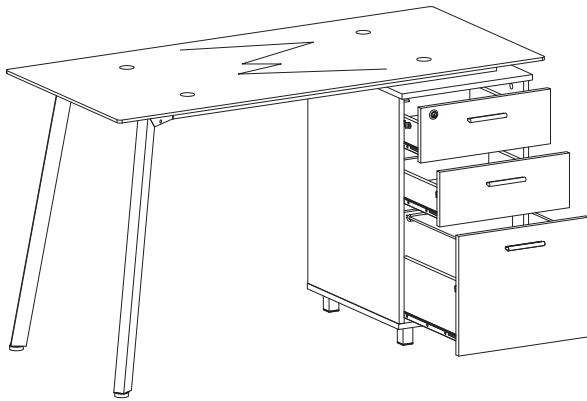


28

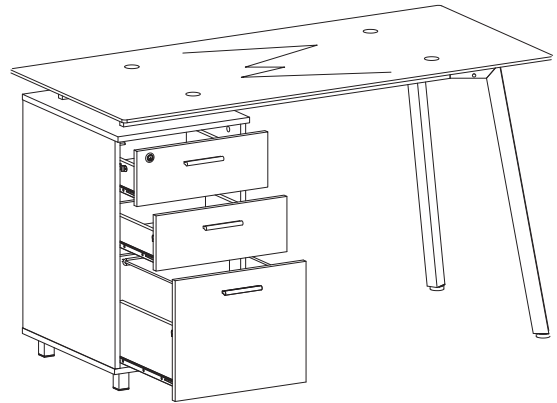


!

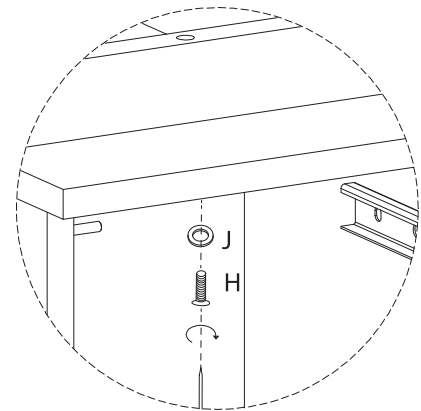
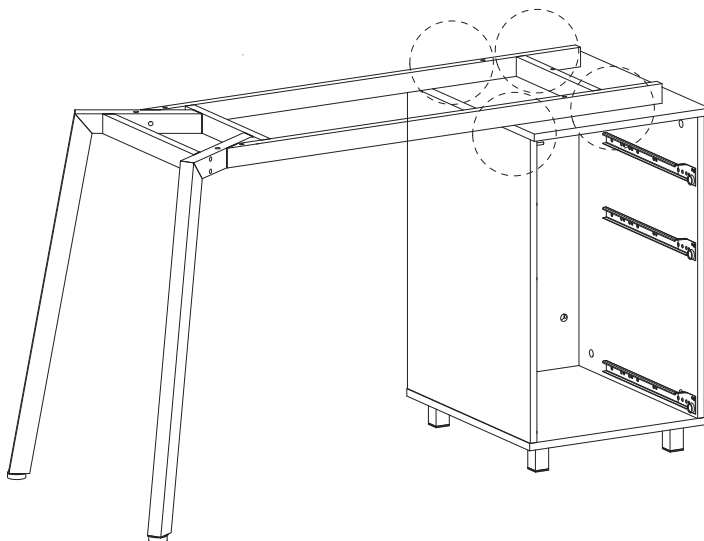
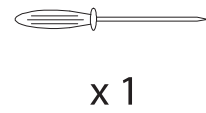
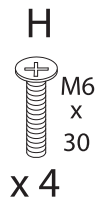
A



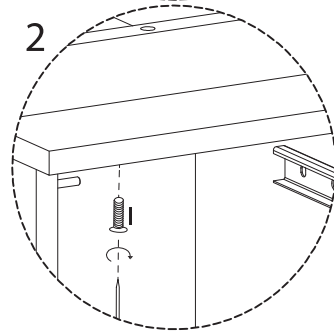
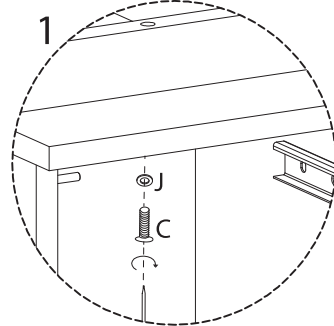
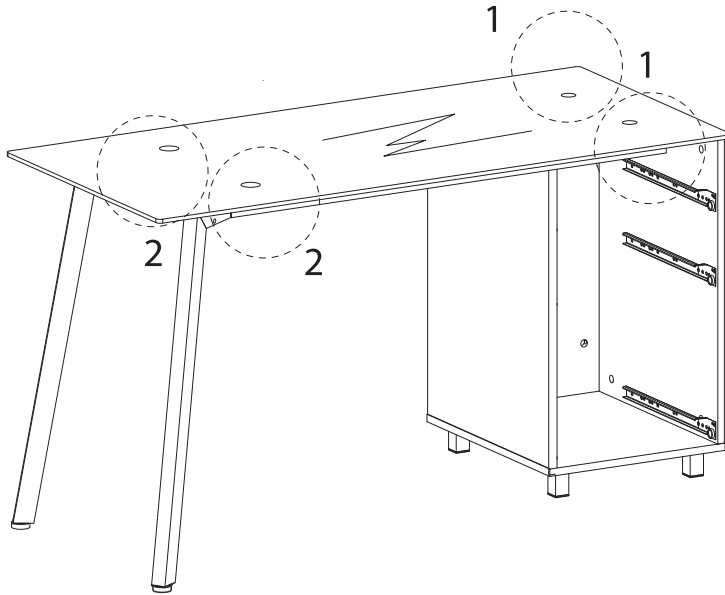
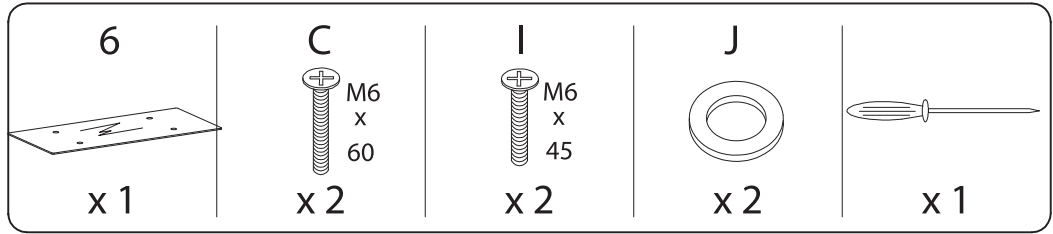
B



29



30



31

