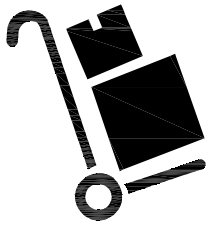


INSTRUCTION MANUAL

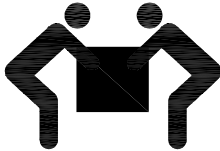


TC-TB-18



ATTENTION

our product comes with **TWO PACKAGES** With **TWO TRACKINGS** may **NOT** be delivered at the same time.



WARNING

Some steps are more easily handled with two adults.



CAUTION

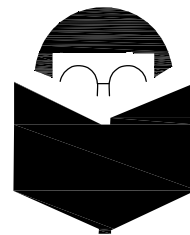
Before assembly and/or installation, carefully unwrap all parts
Locate and set aside the hardware kit before discarding packaging.
Use care when assembling your new product. Take your time and follow assembly instructions closely.



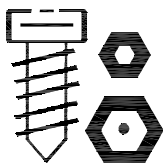
If you have any questions below, please feel free to contact us. We will respond within 24 hours.



ANY DAMAGE



**READ INSTRUCTIONS
CAREFULLY**



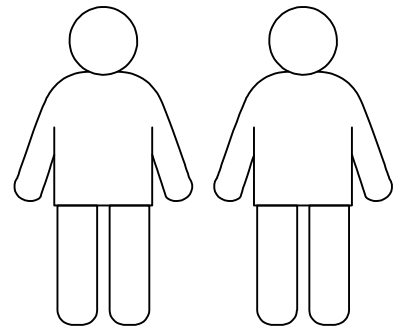
MISS SOME PARTS



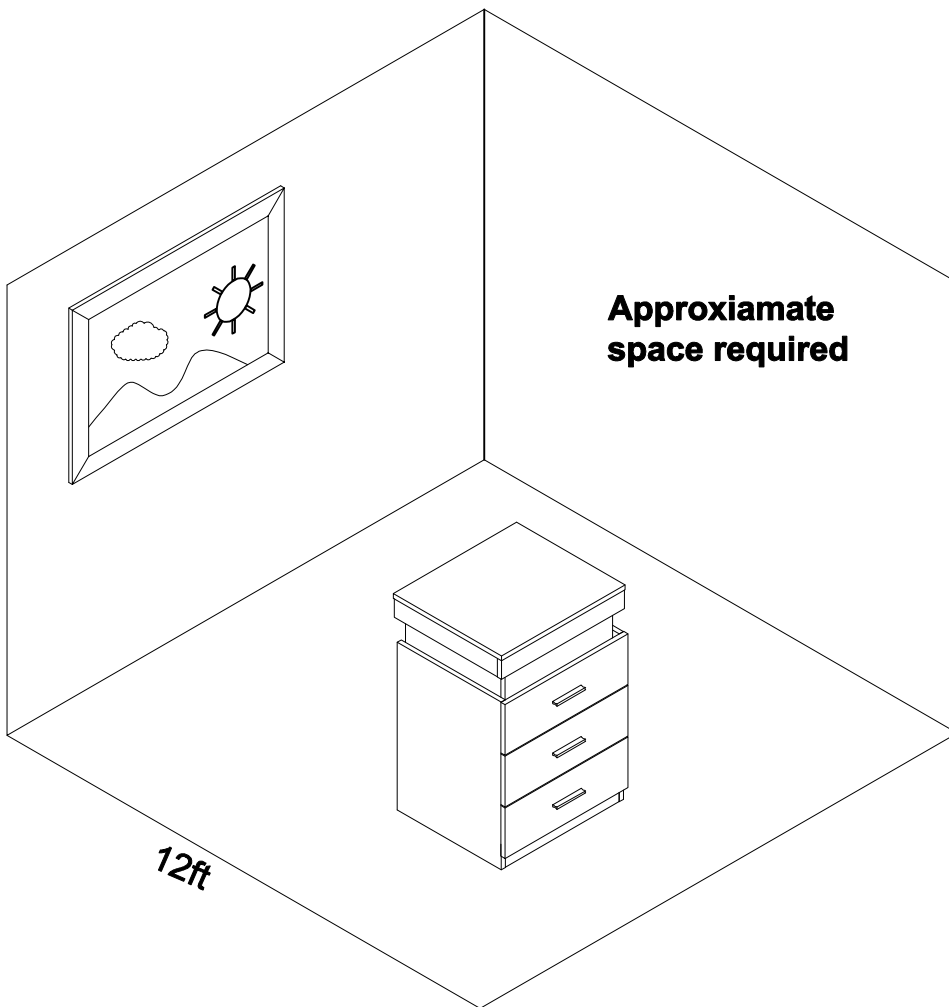
OTHER QUESTIONS



20 min



Two People Required

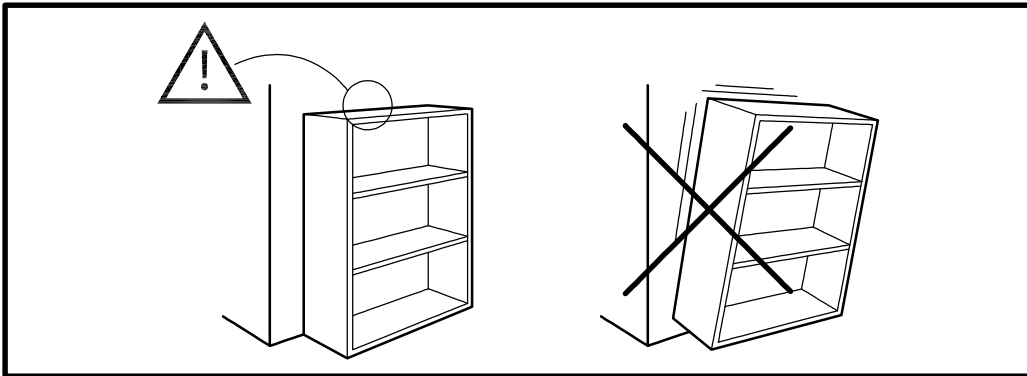


**Approximate
space required**

12ft



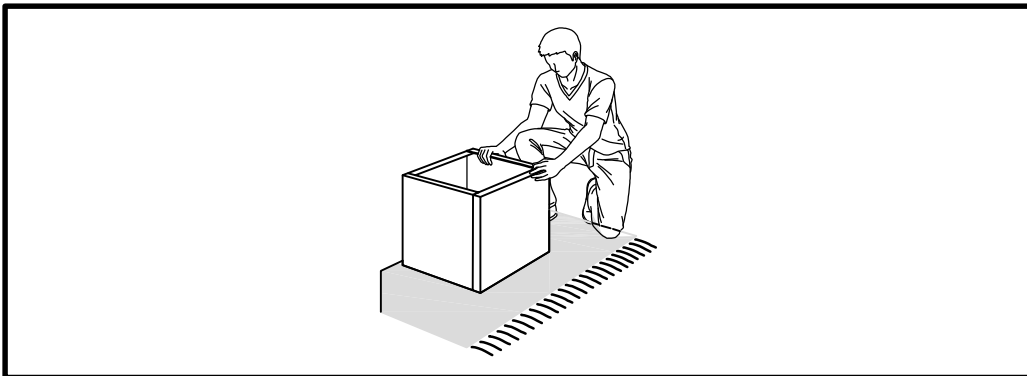
Phillips Head



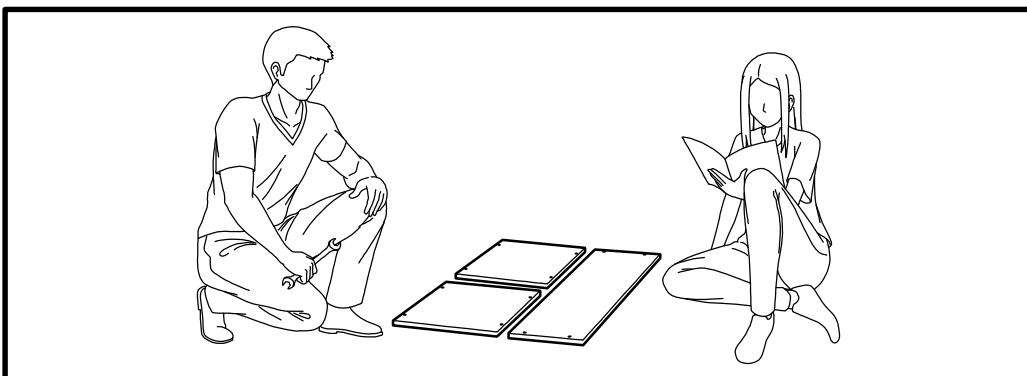
Warning

Serious or fatal crushing injuries may occur if the furniture tip-over. Furniture must permanently be fixed to the wall with included anti-tipping device to prevent the furniture from tipping over.

Different wall materials require different types of fixing device. Use suitable fixing device to secure the stability and load bearing capacity of the furniture. If you are uncertain about which type of fixing device to use, please contact your local hardware store.



Assemble the furniture on empty carton, carpet, or rug to prevent scratches or damage.



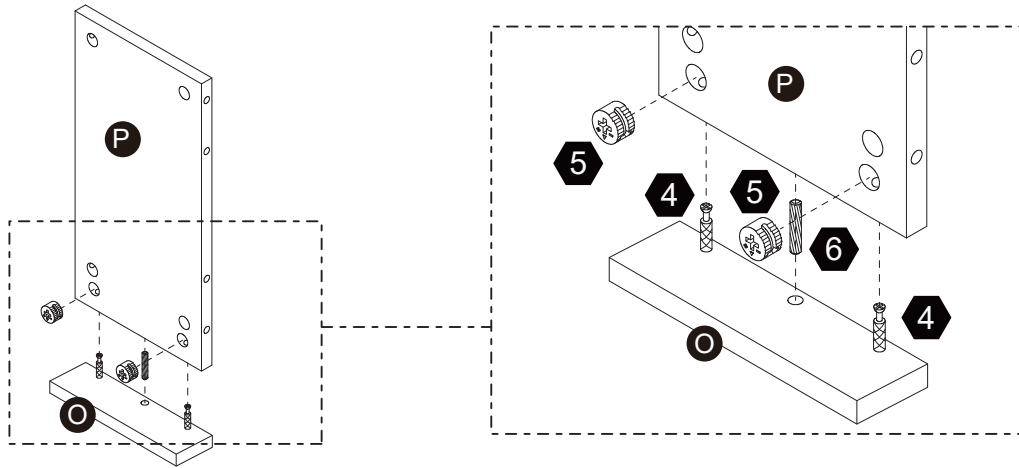
This furniture requires 2 people to assemble. Make sure no parts are missing or damaged before assembly.

GENERAL INFORMATION, TIPS AND TRICKS

1. Please read the Assembly instructions prior to assembling this product.
2. Remove all hardware from the box and sort by size.
3. Check to see that all hardware and parts are present BEFORE assembling.
4. Ask a friend to assist you with the assembly of this furniture.
5. To avoid damage, assemble the product on a sturdy, level and protective surface.
6. Please wait until all steps are completed before fully tightening bolts.
7. Make sure all screws and bolts are tightly fastened before the unit is used.

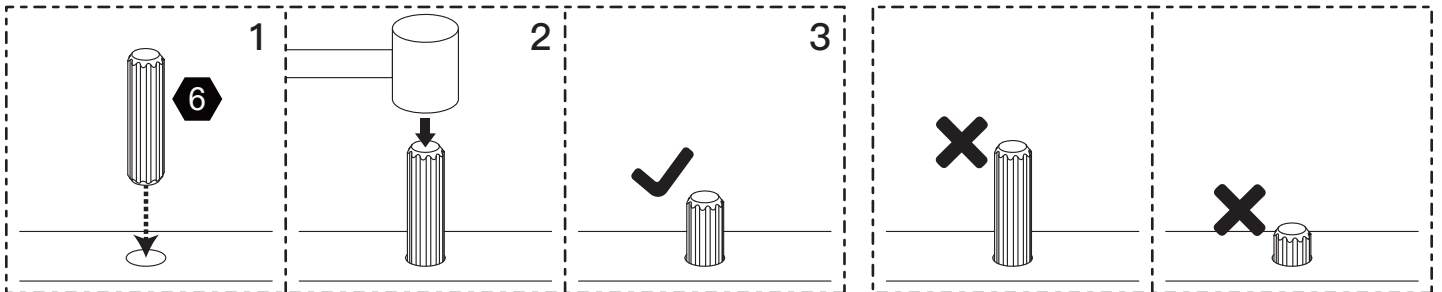


How the Assembly System Works



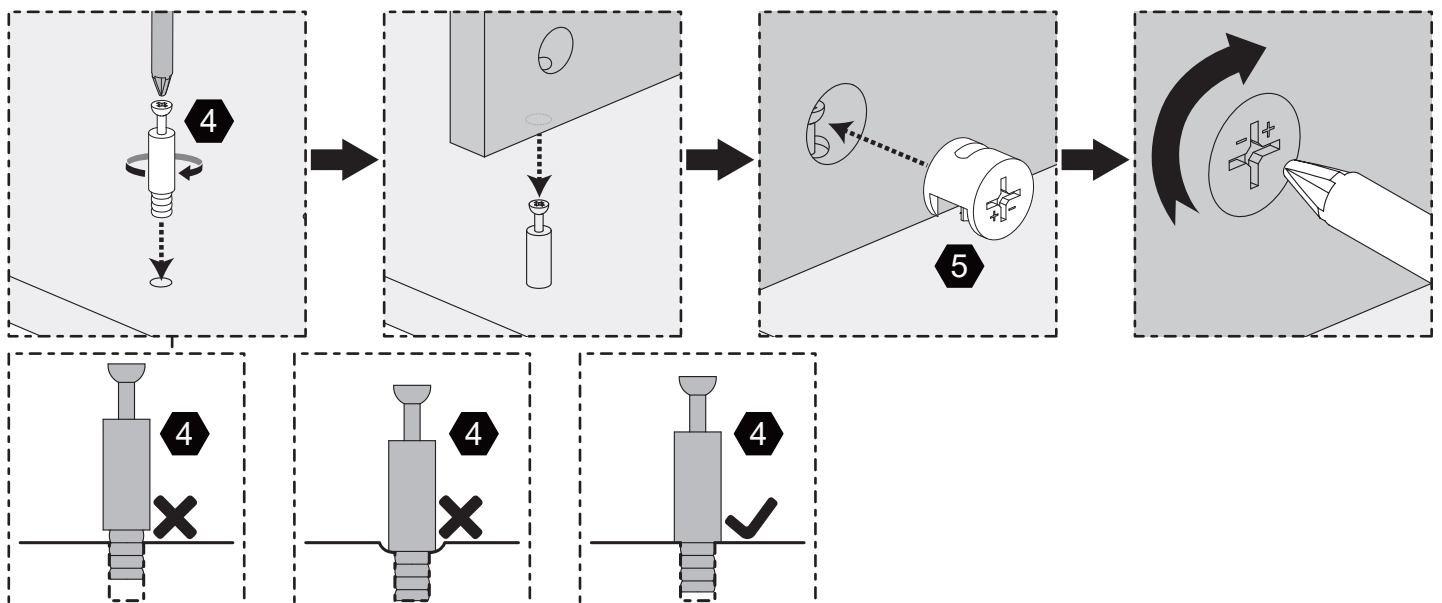
How to Install Wood Dowel

Insert the wood dowel [6] at least half-way. IF NECESSARY, lightly tap the wood dowel with a self-supplied rubber mallet.



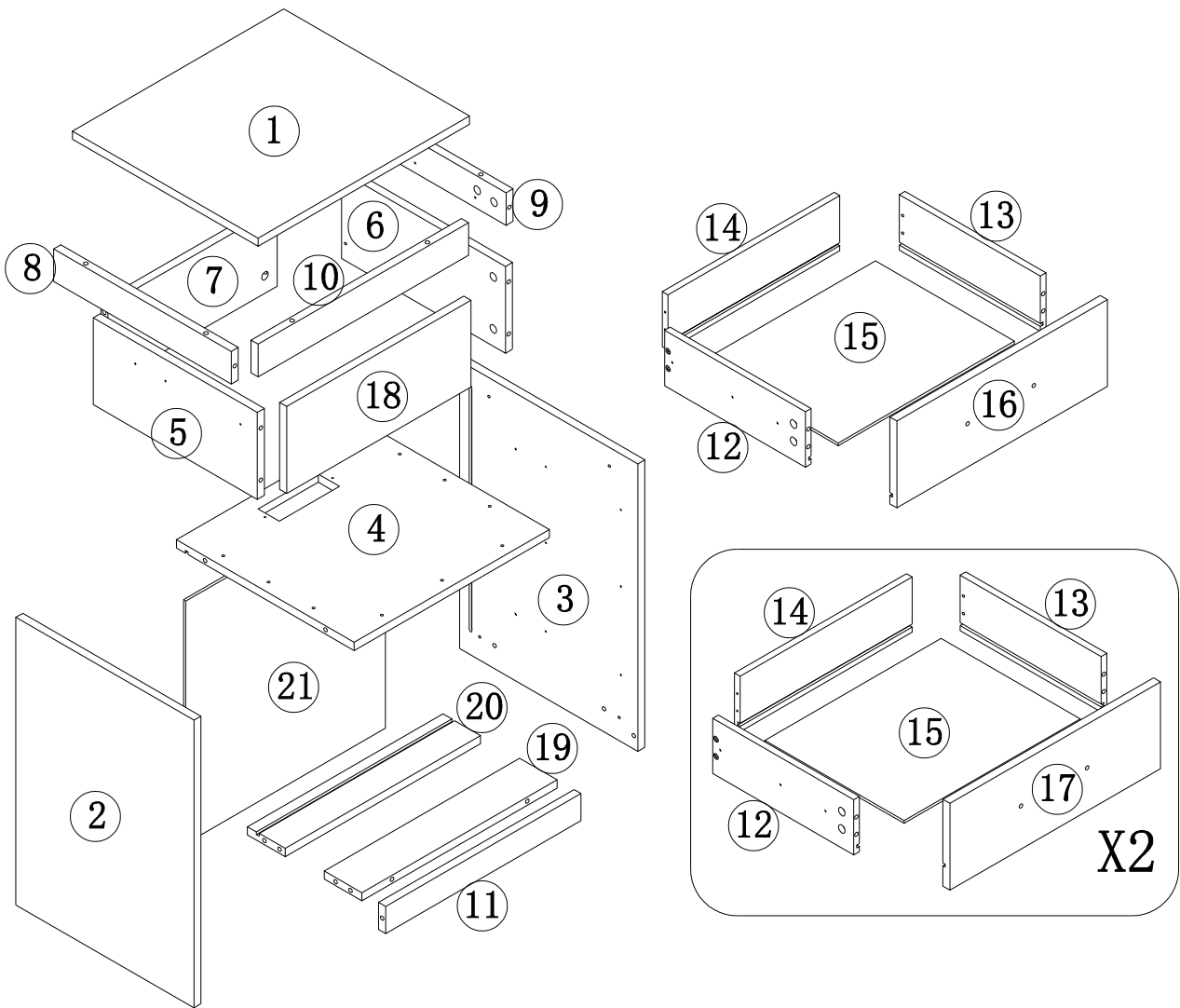
Cam Lock System Operation

1. Screw the cam bolt [4] into the threaded insert on the panel.
2. Connect both panels together making sure cam bolt [4] goes into the pre-drilled large hole on the end of panel for cam lock [5].
3. Insert the cam lock [5] into the pre-drilled large hole on the panel. Make sure the cross slot of cam lock [5] faces out.
3. Rotate the cam lock [5] clockwise to lock the cam bolt [4] in place.

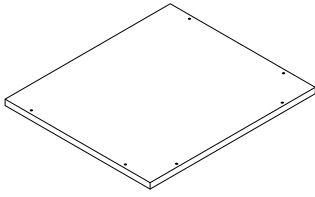


You are now ready to assemble the Fireplace TV Stand.

CONTENTS

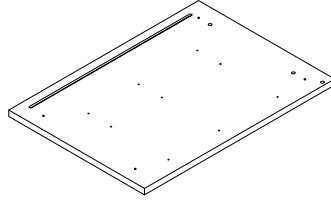


1



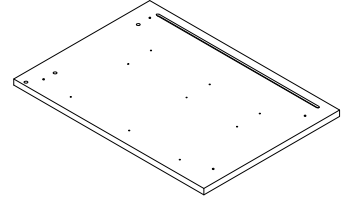
1pc

2



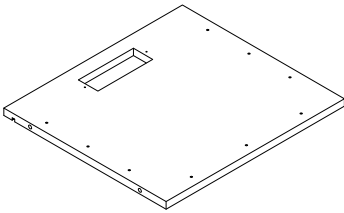
1pc

3



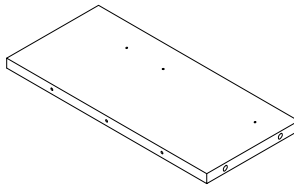
1pc

4



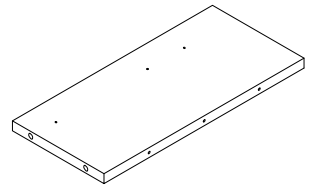
1pc

5



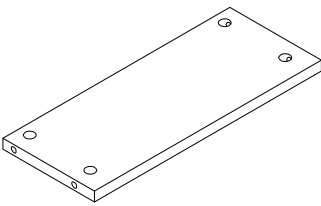
1pc

6



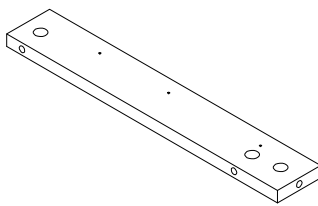
1pc

7



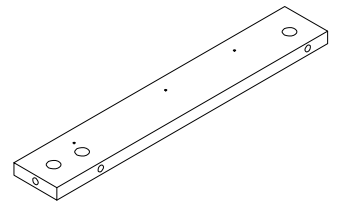
1pc

8



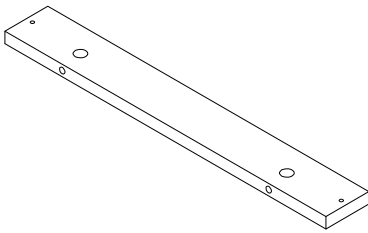
1pc

9



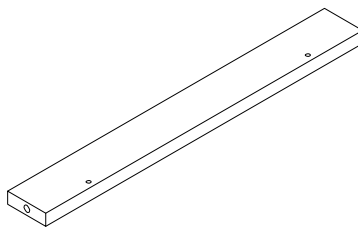
1pc

10



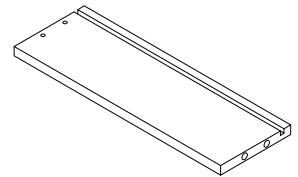
1pc

11



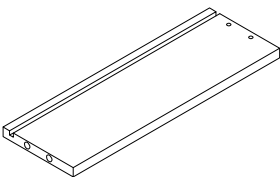
1pc

12



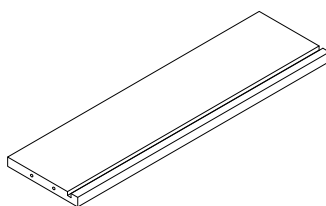
3pcs

13



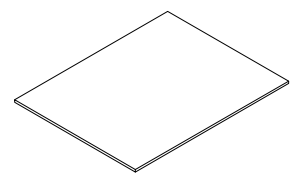
3pcs

14



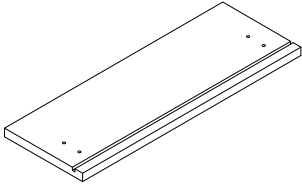
3pcs

15



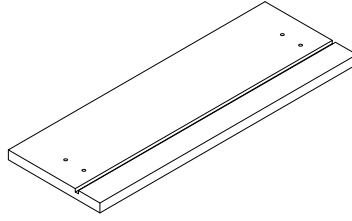
3pcs

16



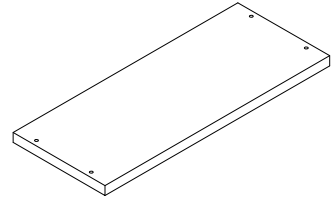
1pc

17



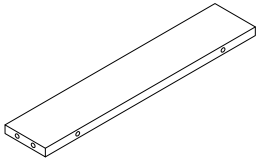
2pcs

18



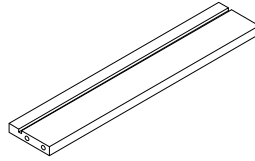
1pc

19



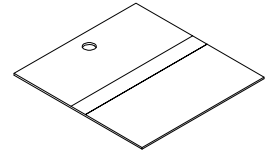
1pc

20



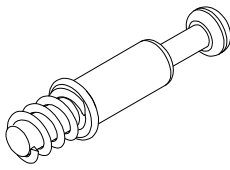
1pc

21



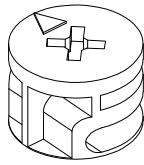
1pc

A



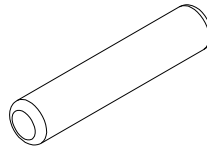
38pcs

B



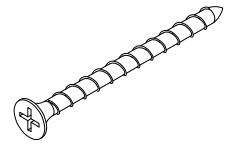
38pcs

C



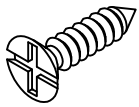
M8*30mm
11pcs

D



M4*50mm
6pcs

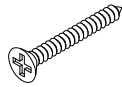
E



M3*12mm

50pcs

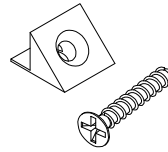
F



M4*35mm

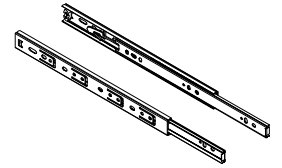
12pcs

G



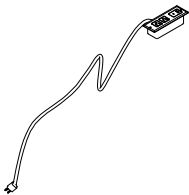
6pcs

H



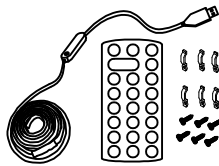
4set

I



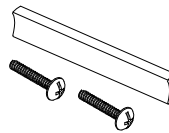
1pc

J



1pc

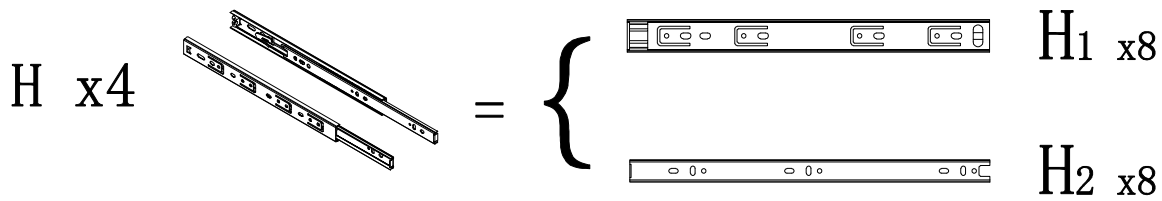
K



3pcS

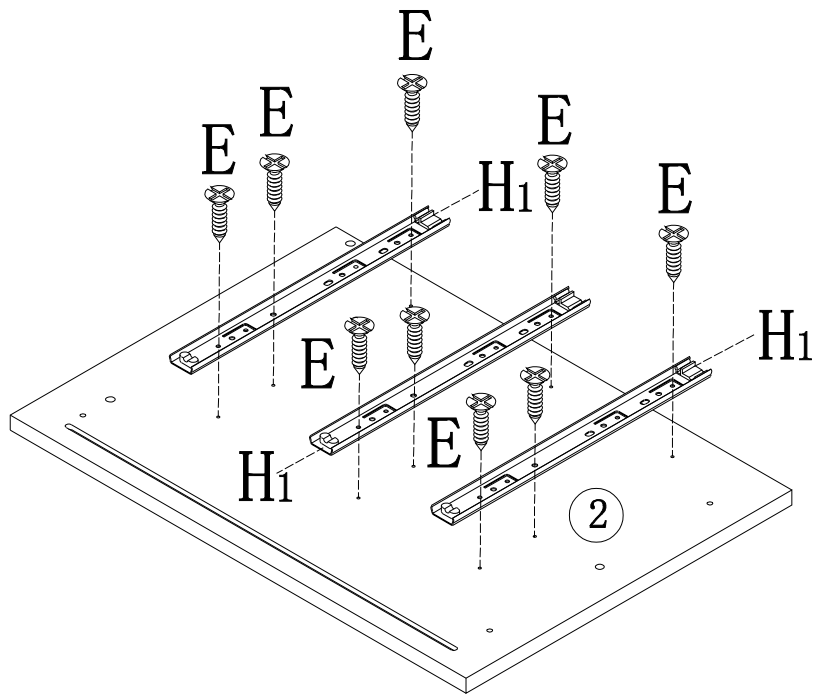
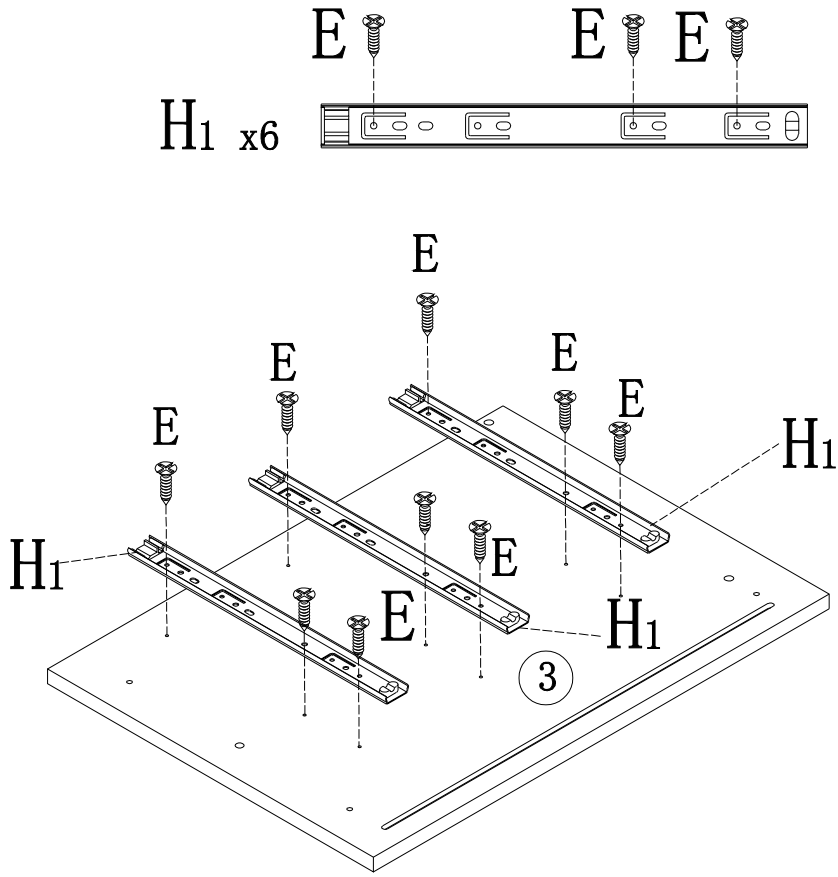




1pc



Assembly Steps

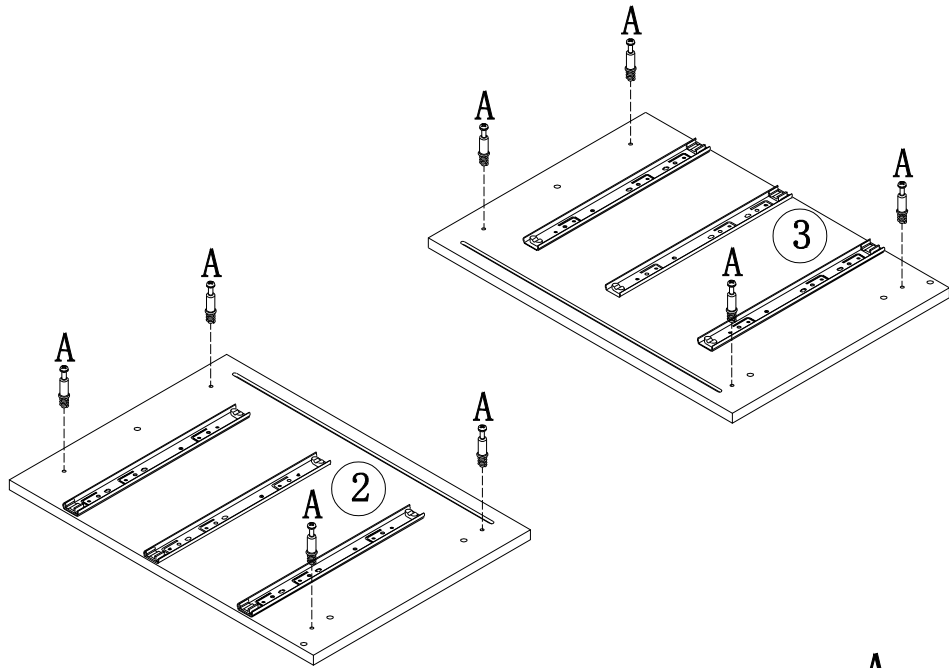
Step 1

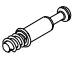


- E  x18
- H₁  x6

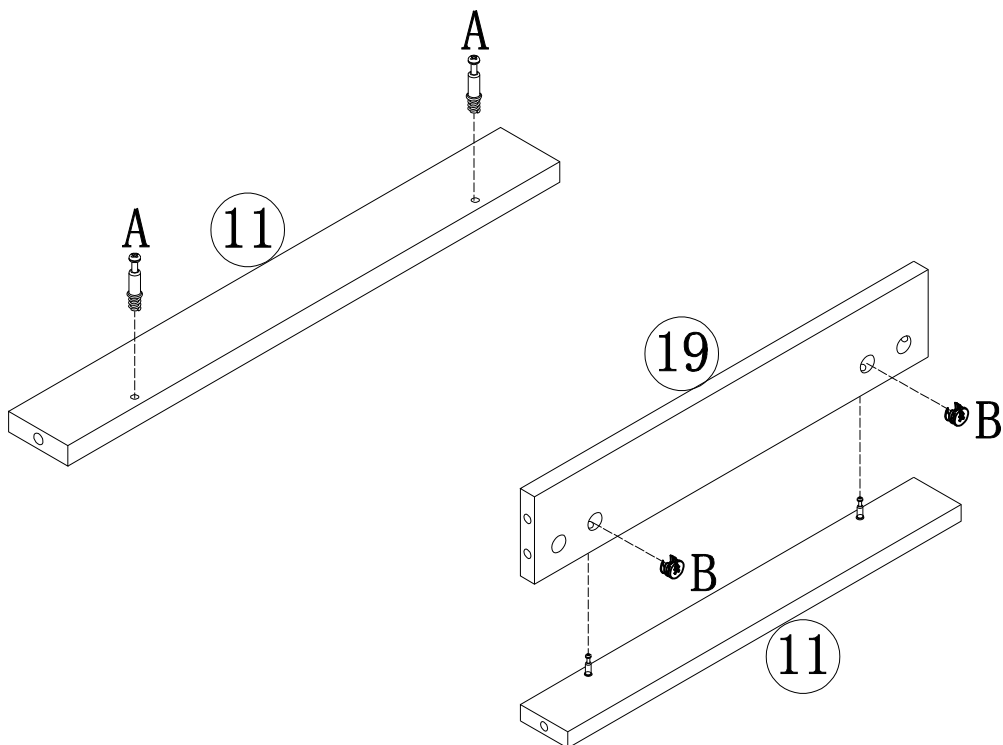
Assembly Steps

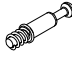

Step 2



A  x8

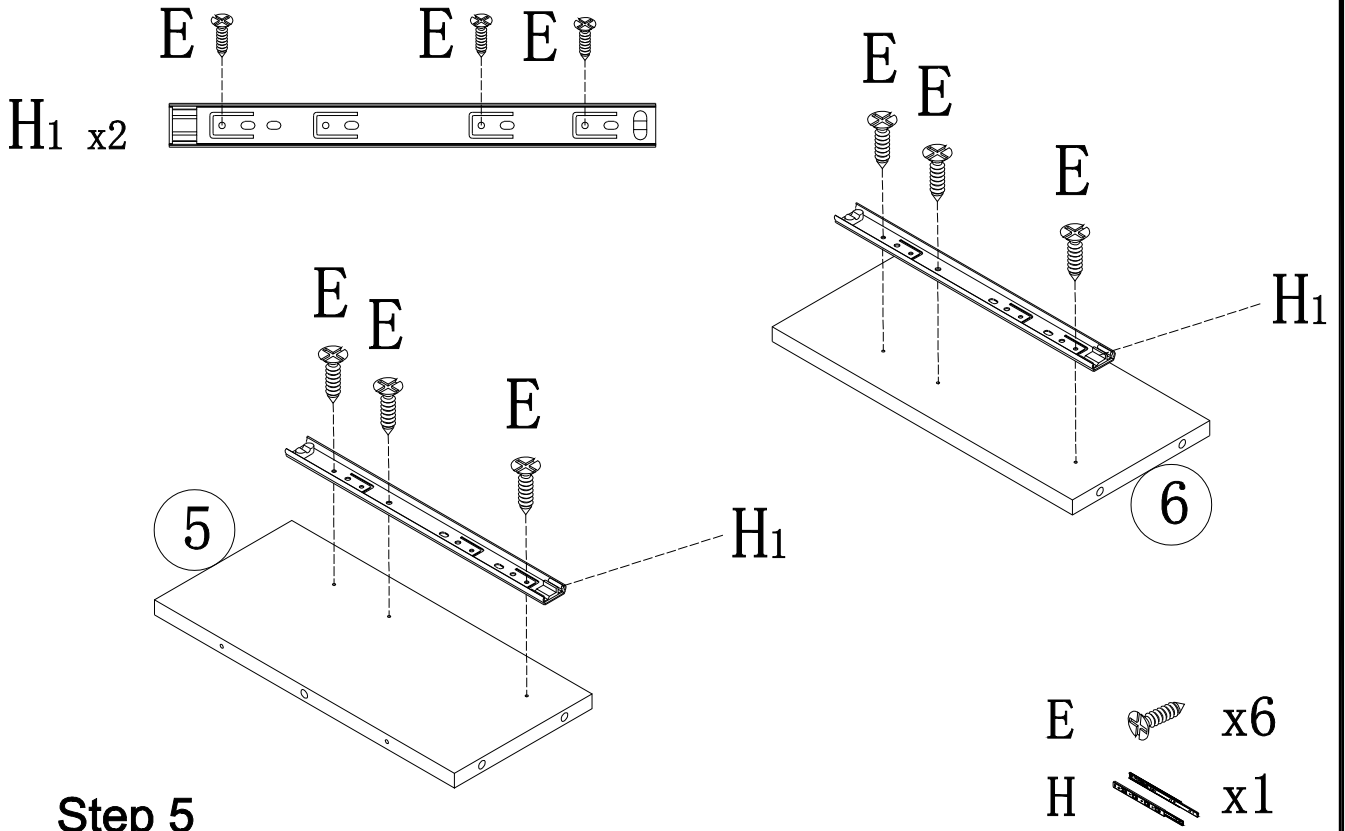
Step 3



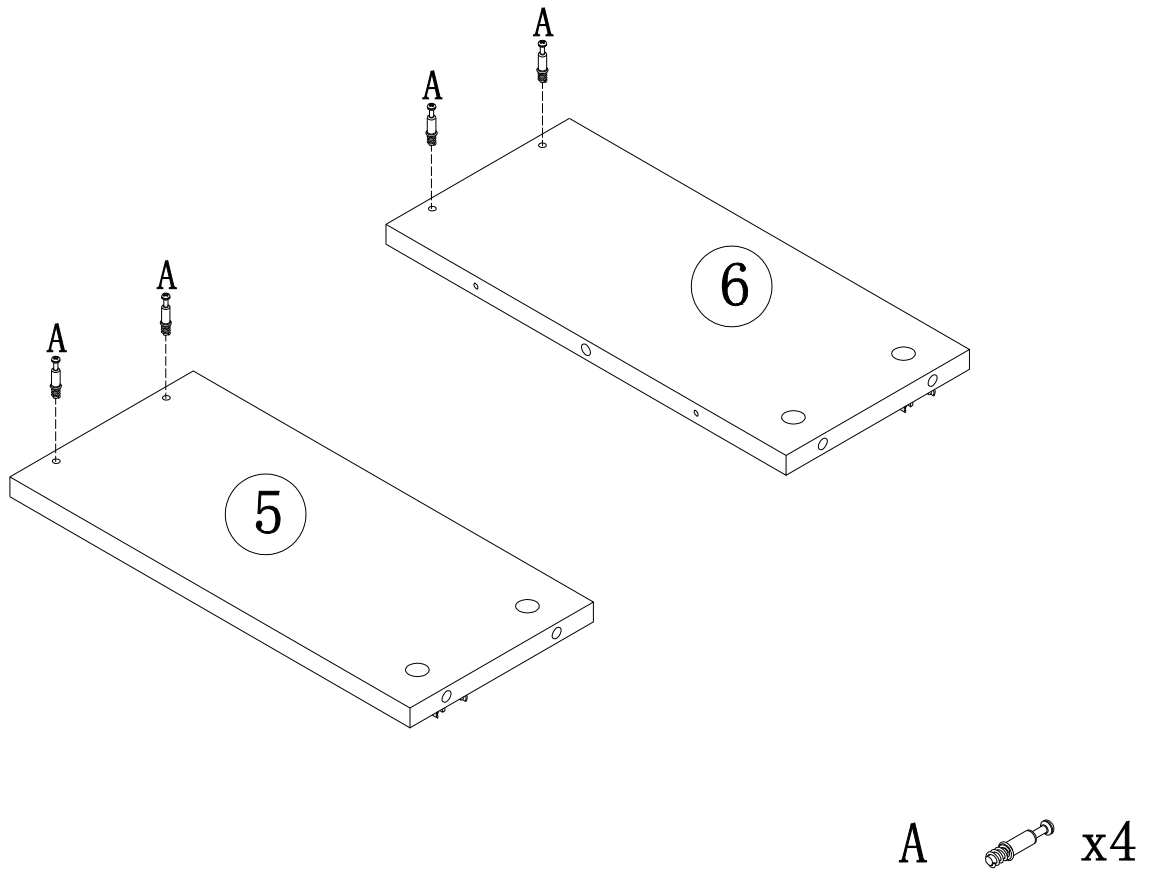
A  x2
B  x2

Assembly Steps

Step 4

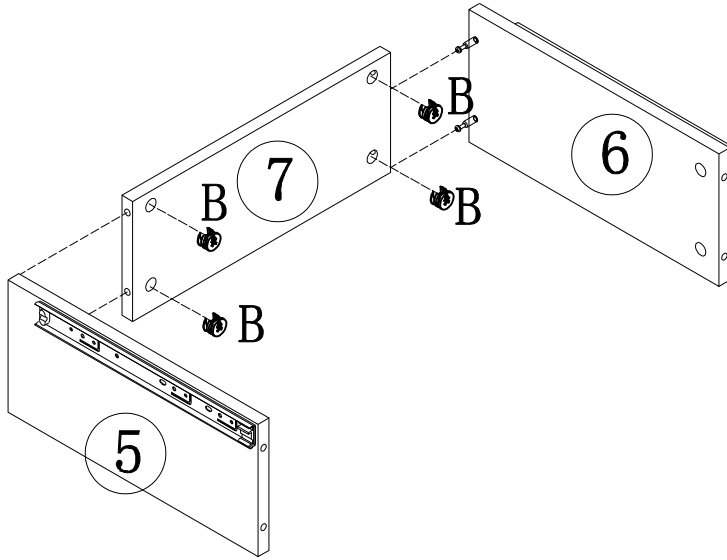


Step 5



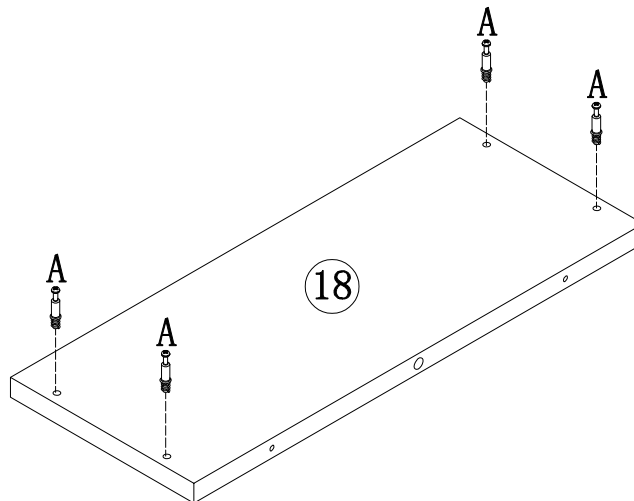
Assembly Steps

Step 6



B  x4

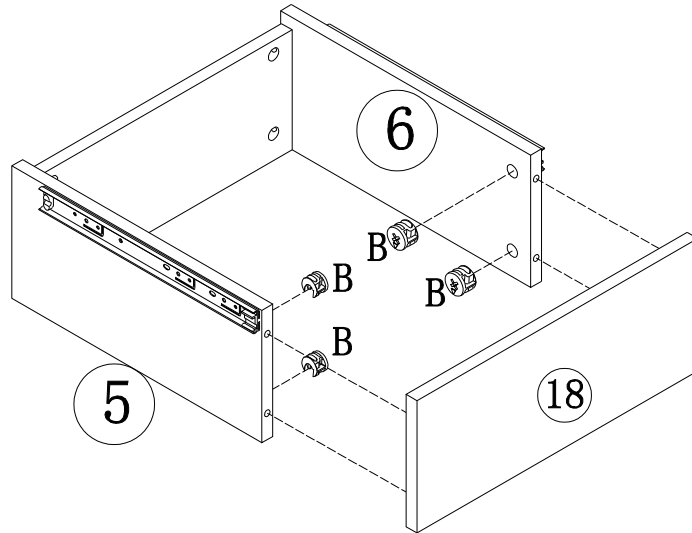
Step 7



A  x4

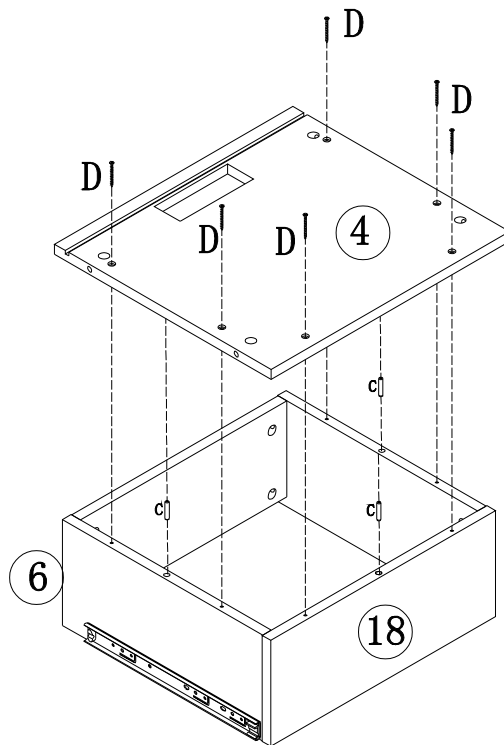
Assembly Steps

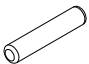

Step 8



B  x4

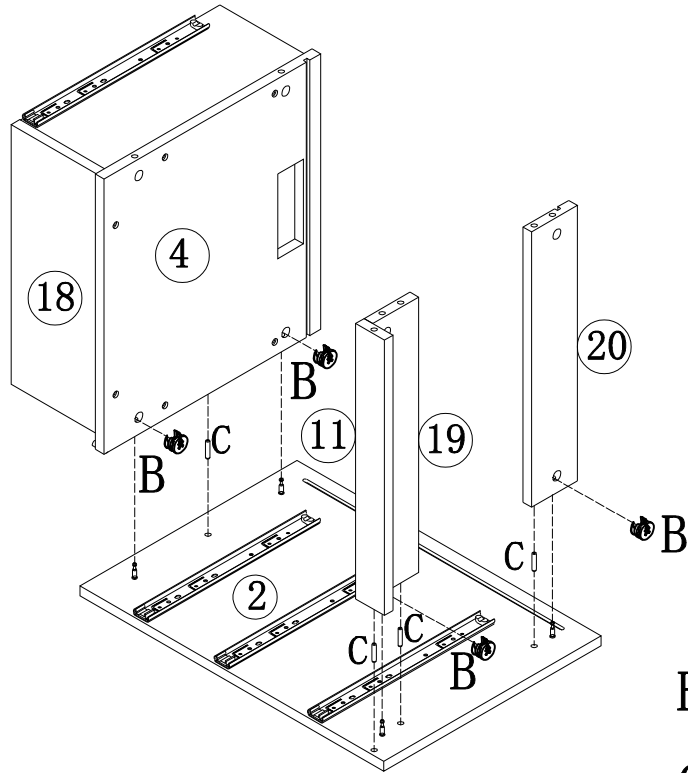
Step 9



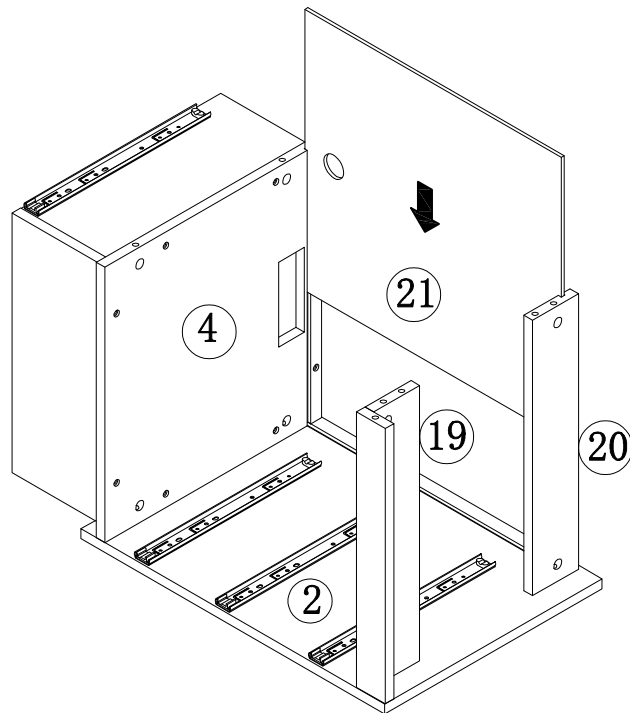
C  x3
D  x6

Assembly Steps

Step 10

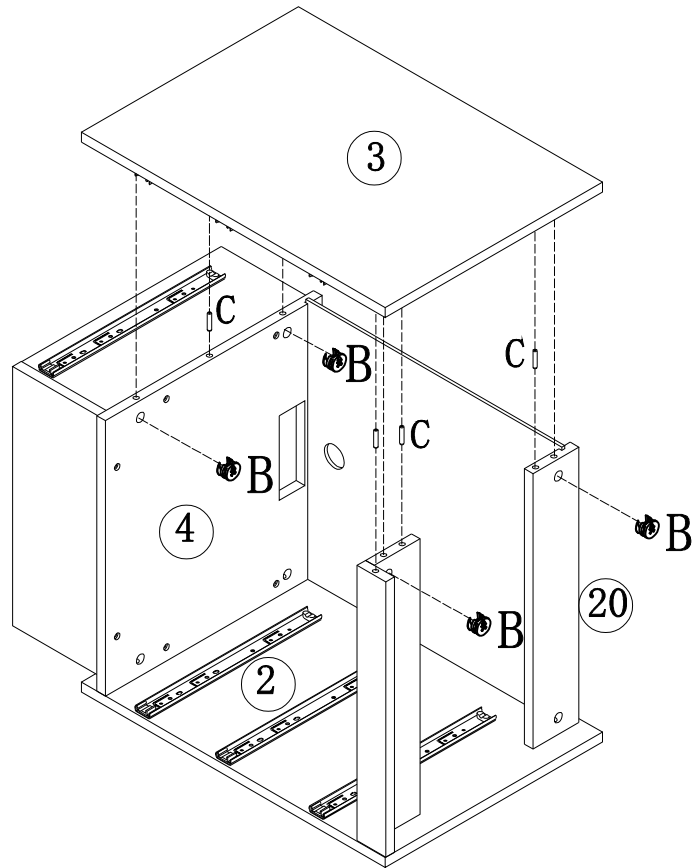


Step 11

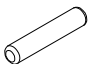


Assembly Steps

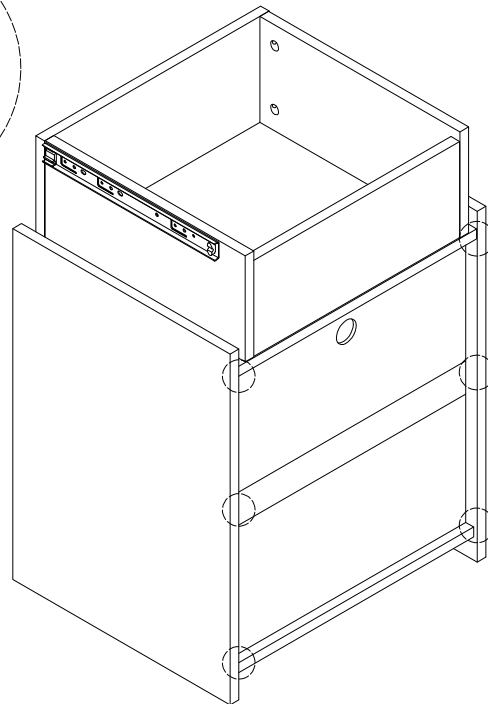
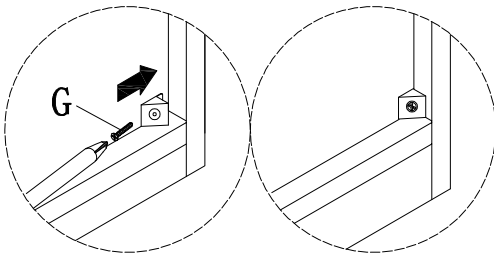
Step 12




B  x4

C  x4

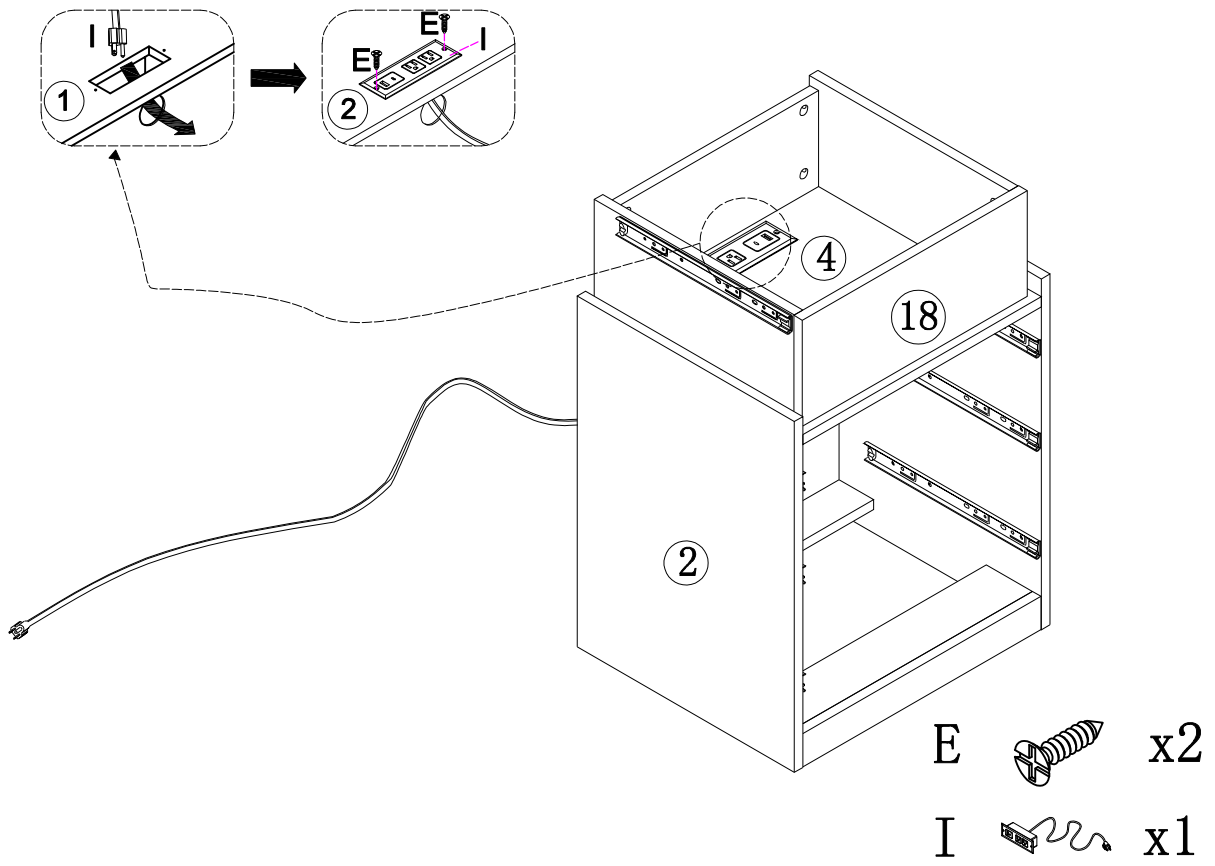
Step 13



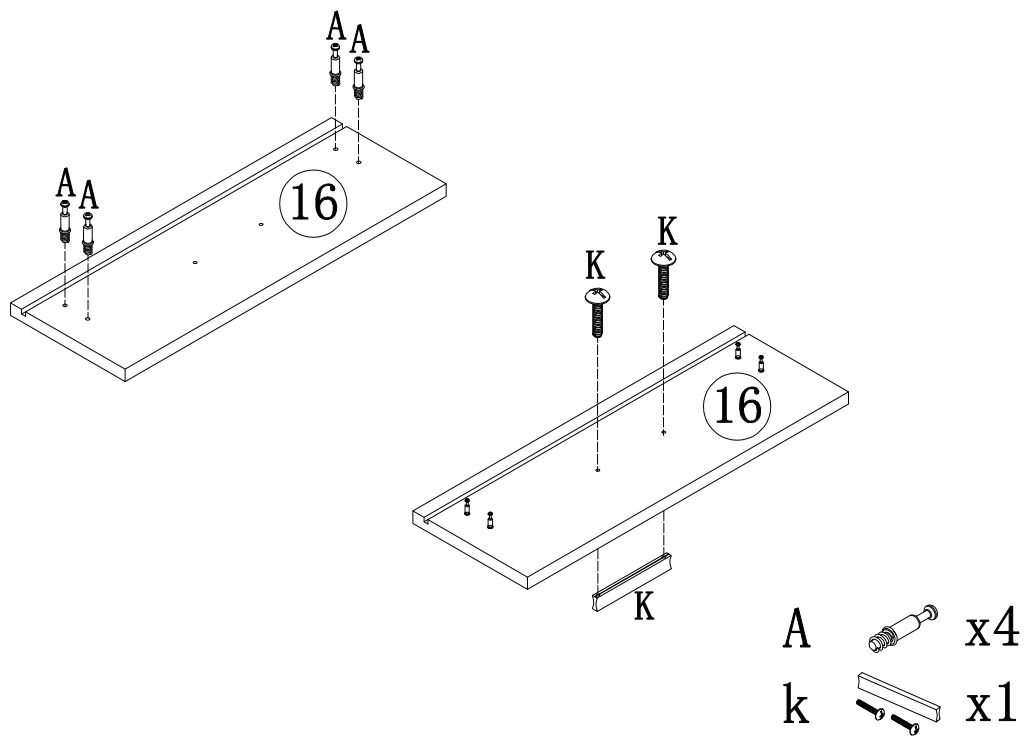
G  x6

Assembly Steps

Step 14

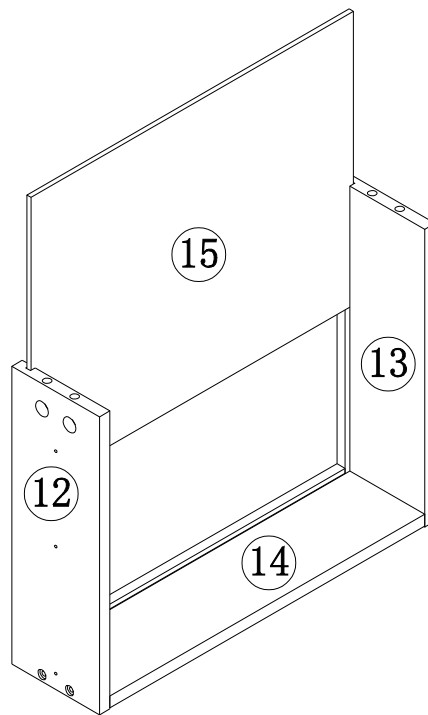
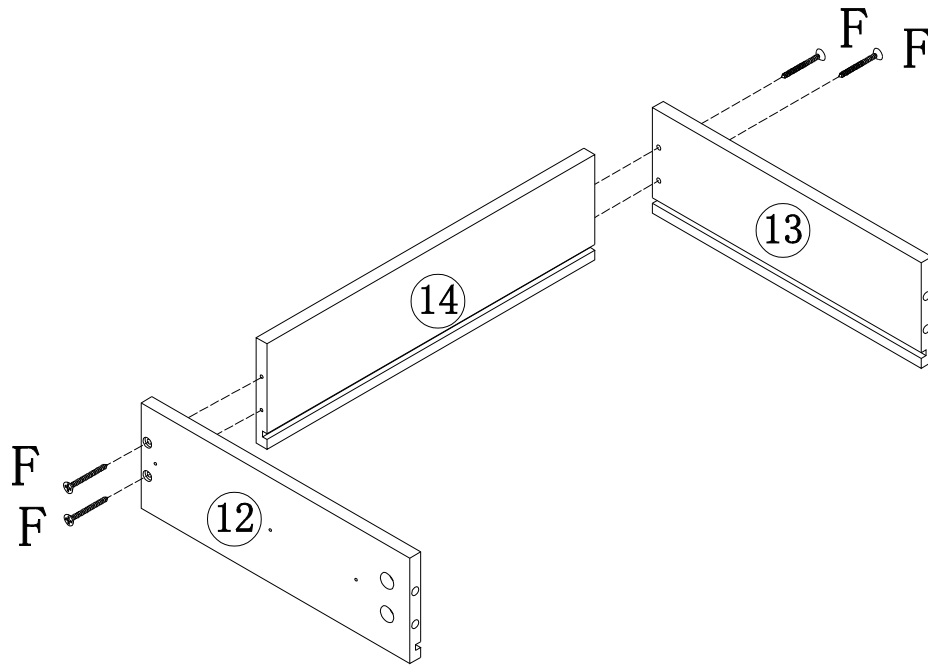


Step 15



Assembly Steps

Step 16

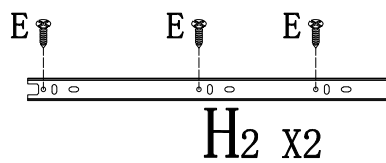
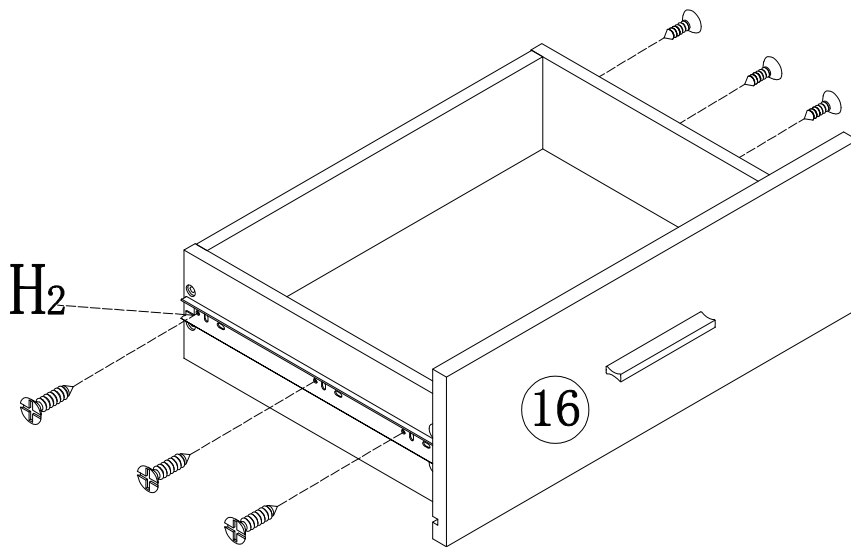
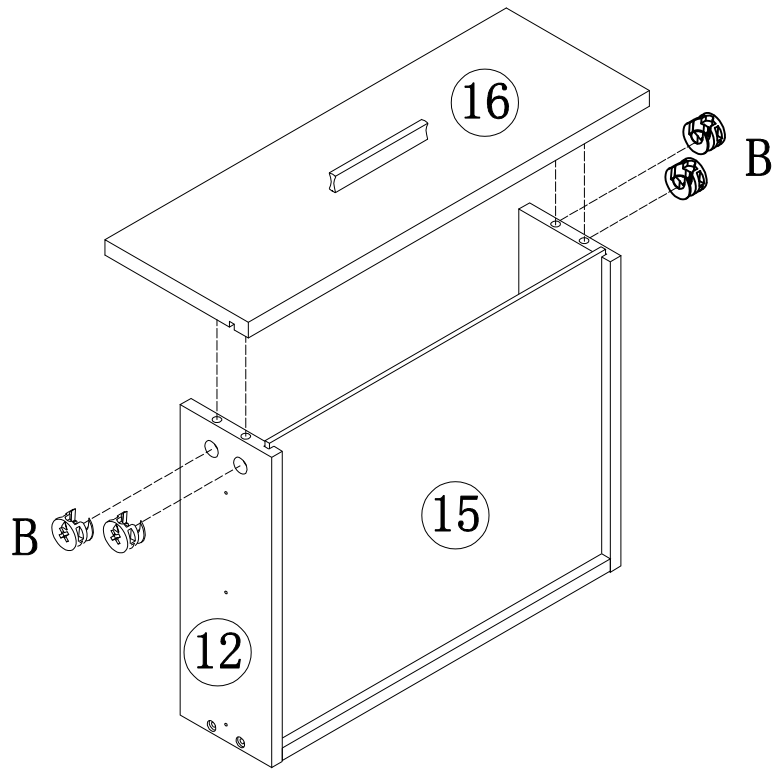


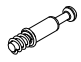



x3

F  x12

Assembly Steps

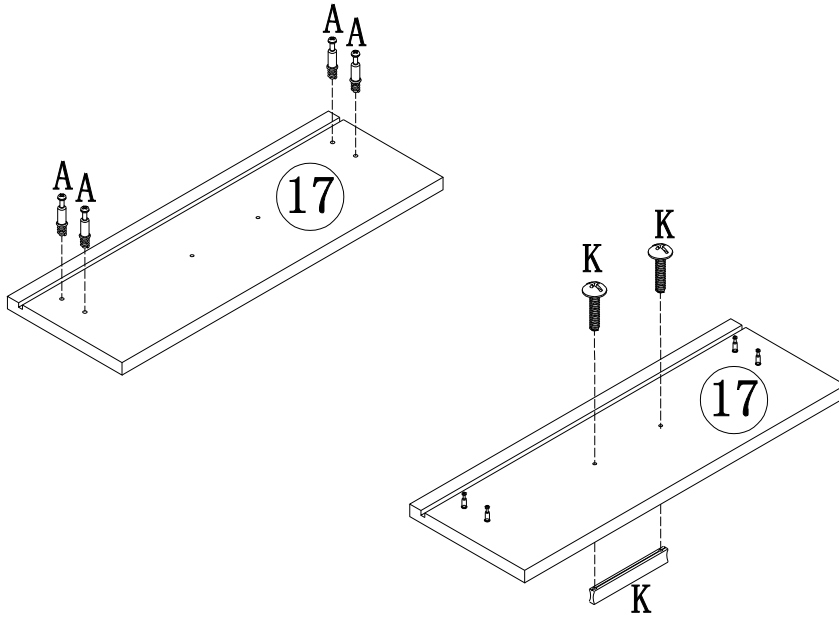
Step 17




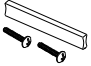
- A  x4
- B  x4
- E  x6
- H  x1

Assembly Steps

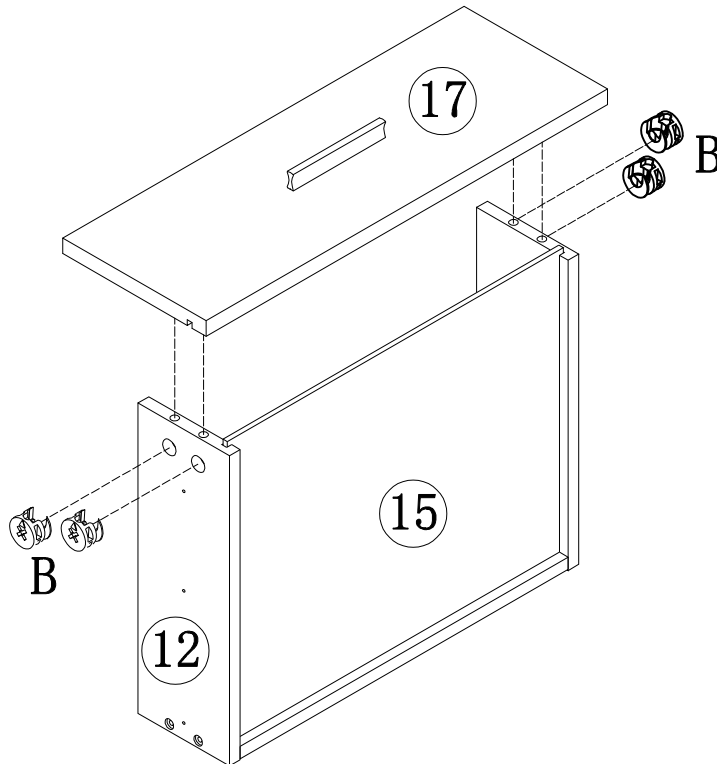
Step 18



x2

- A  x8
- K  x2

Step 19

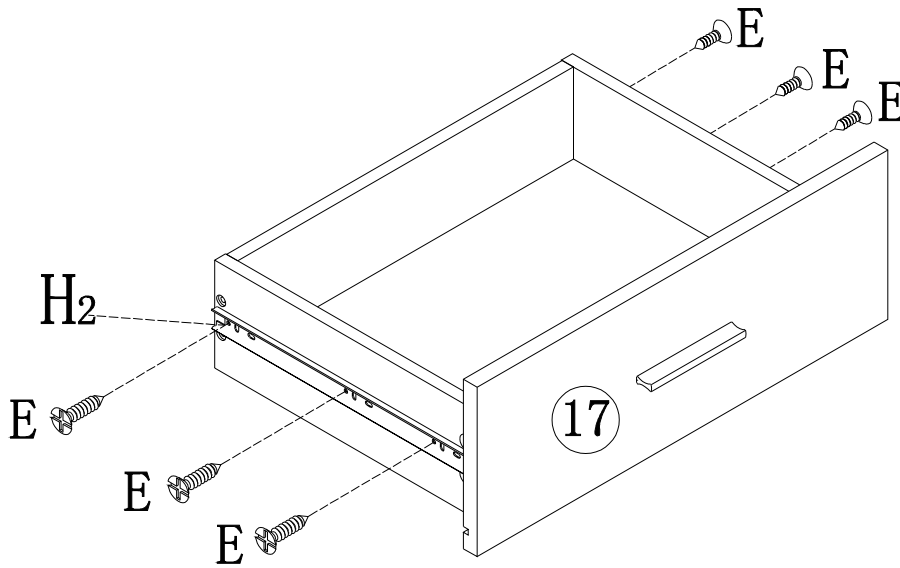


x2

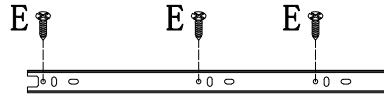
- B  x8

Assembly Steps

Step 20



x2

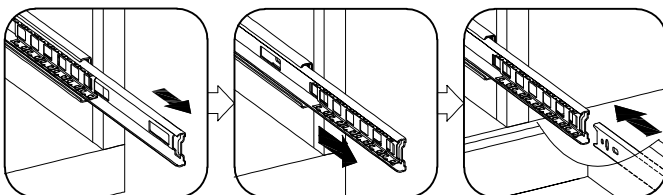
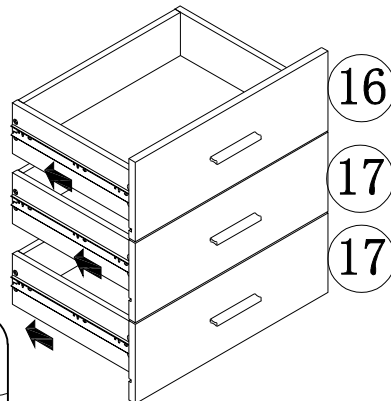
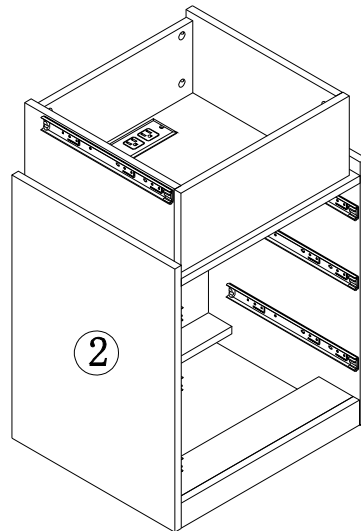


H2 x4

E  x12

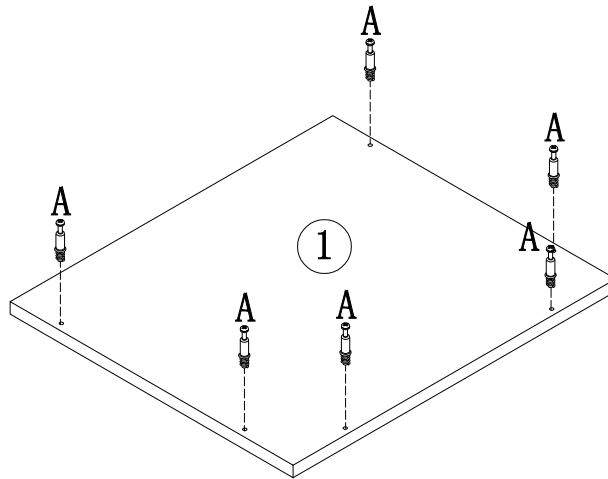
H  x2

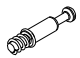
Step 21



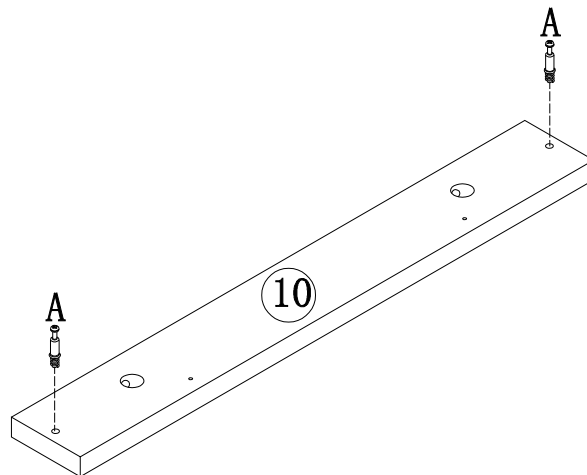
Assembly Steps

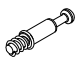
Step 22



A  x6

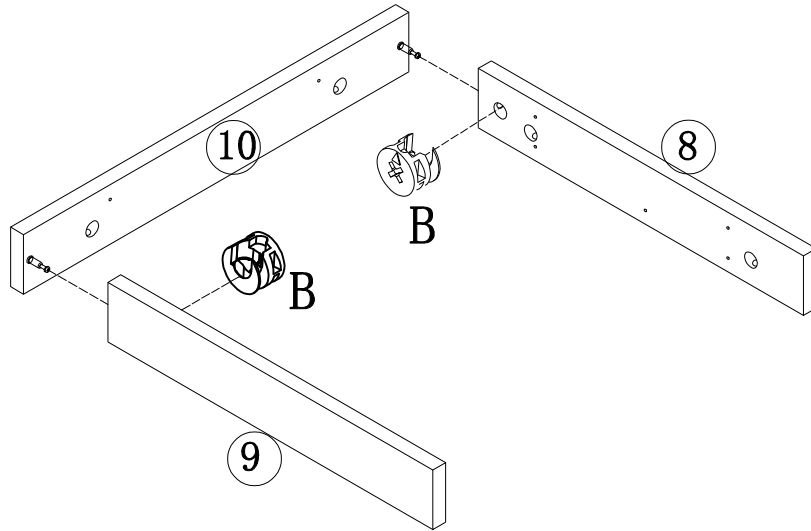
Step 23



A  x2

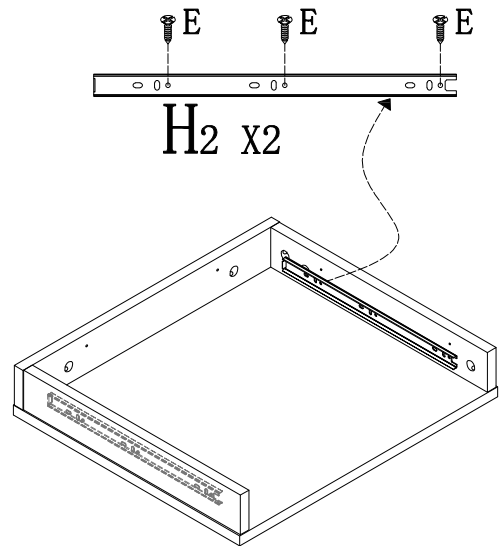
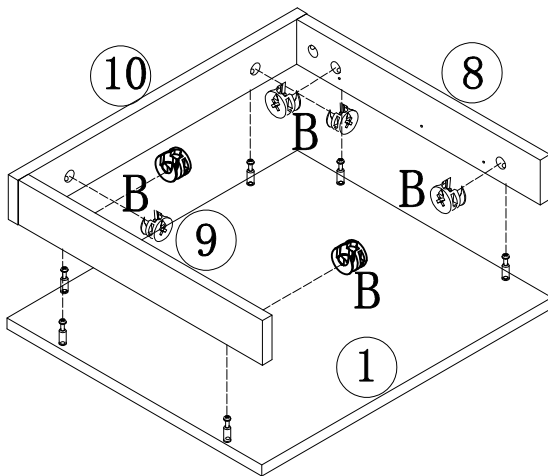
Assembly Steps


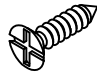

Step 24



B  x2

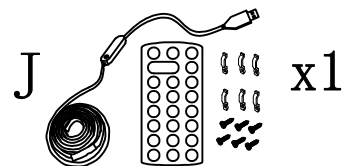
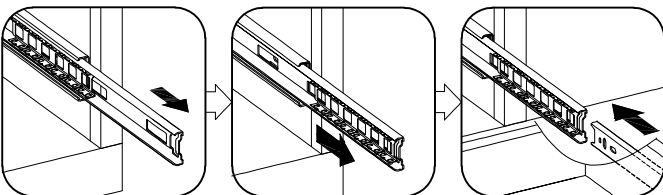
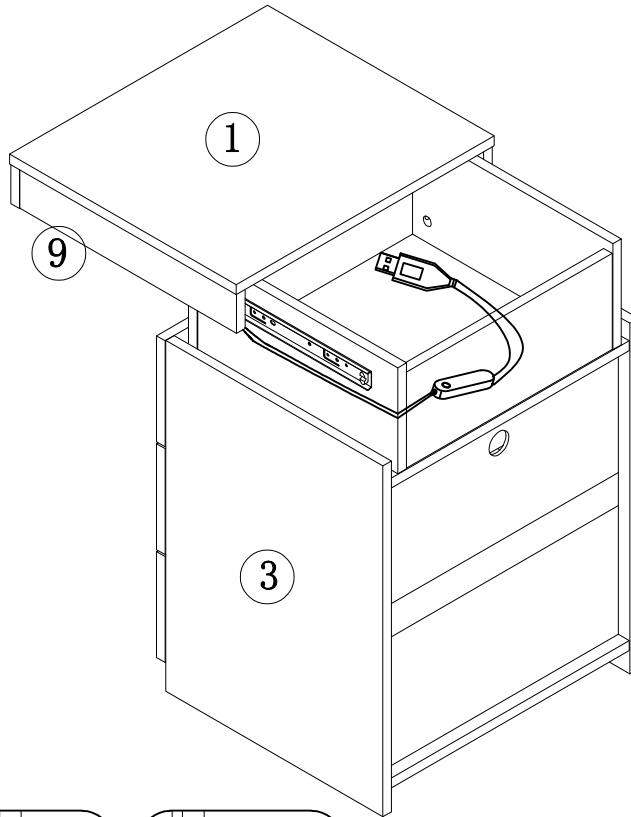
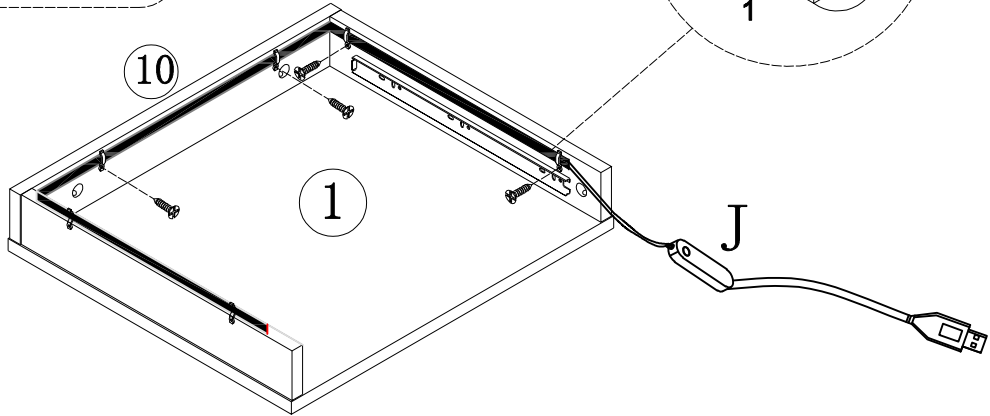
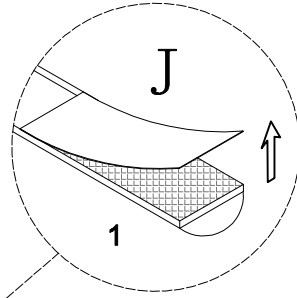
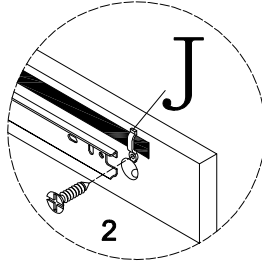
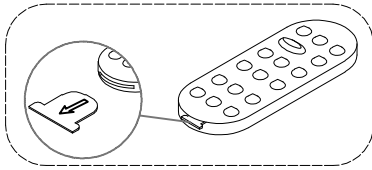
Step 25



B  x6
 E  x6
 H  x1

Assembly Steps

Step 26



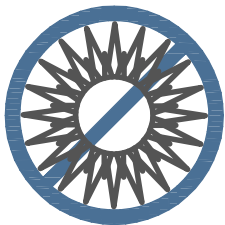
MAINTENANCE TIPS



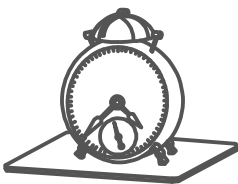
Never let liquids or damp cloths sit on this furniture.



**Never use chemical cleaning products, They can damage the finish.
For cleaning, use only a slightly damp cloth and wipe dry.**



To avoid dulling of the finish, do not place furniture in direct sunlight.



**Do not put plastic or rubber rings under appliances.
Use cloth or felt protectors.**



To clean, use a soft or slightly damp cloth, then wipe with a clean, dry cloth.

FURNITURE CARE AND MAINTENANCE

Medium-Density Fiberboard

Thank you for your purchase. We want your item to last as long as possible. To ensure the product gives you years of service, please refer to this care and maintenance guide.



MAINTENANCE

- Tighten all bolts and screws again within the first 2 weeks of assembly.
- Check the tightness of all bolts every 2 months, tighten them if necessary.



CLEANING

- Clean the surface of the MDF (medium -density fiberboard) with a lightly dampened cloth.
- Small amount of mild soap can be used if necessary.
- Dry the surface immediately after cleaning.

△ DO NOT use bleach or alcohol detergent to clean the surface.

△ DO NOT apply wood treatment on parts made with MDF.

Medium -density fiberboard will swell and distort when suffer from water damage. Make sure to dry the furniture immediately after cleaning

⚠ WARNING

Manufacturer and seller expressly disclaim any and all liability for personal injury, property damage or losses, whether direct, indirect, or incidental, resulting from the incorrect attachment, improper use, inadequate maintenance, unapproved modification or neglect of this product.

Warranty

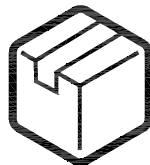
Our products come with a 1 year warranty from the date of purchase. In any event that the product arrives damaged or missing parts, we are more than happy to provide you with replacement part(s). **Register your product on our website to enjoy extended warranty!!**

Easy Return

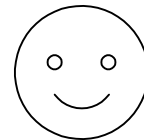
We work hard to make sure order arrives safe and secure, but rest assured we will take care of it if it is not up to standard. If you need replacement parts, Contact us we will send you replacements with no hassle.



Contact Us



Replacement



You

You don't have to worry about re-packaging / schedule pick-up.