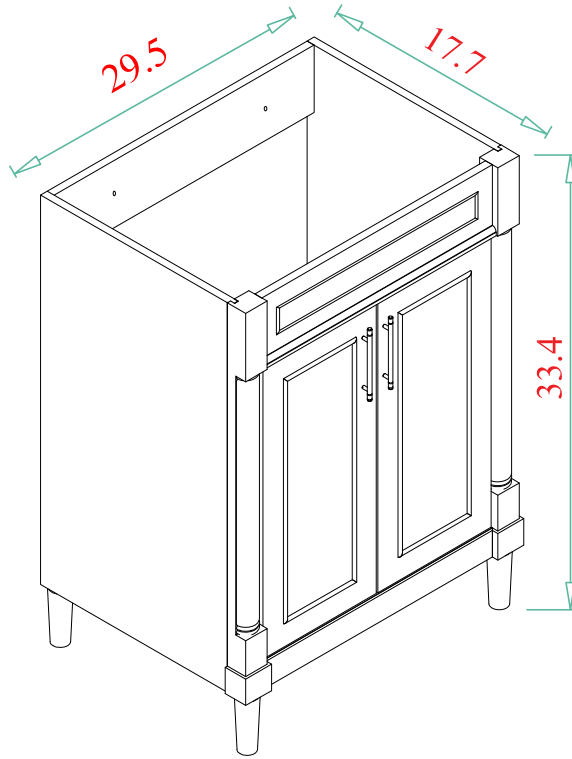


## **INSTALLATION INSTRUCTIONS**

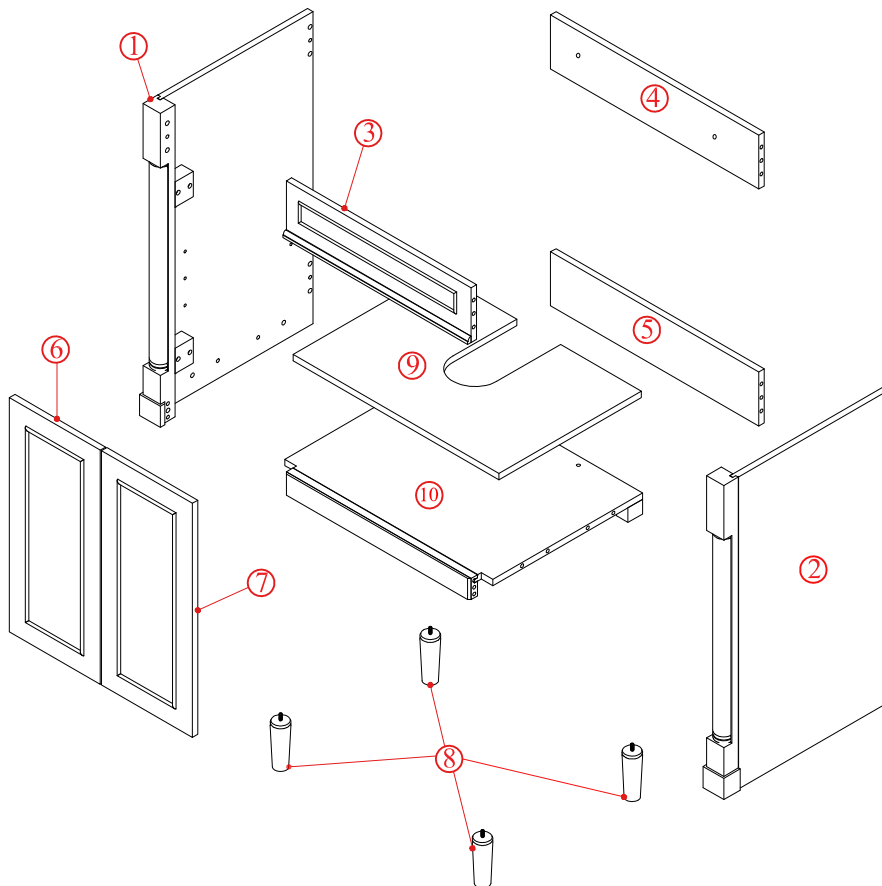
**\*The vessel and faucet set is not included**

# DIMENSIONS

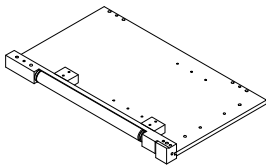
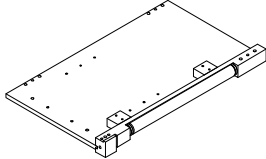
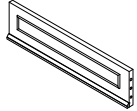
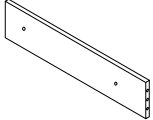
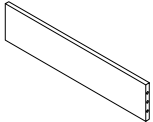

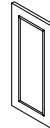

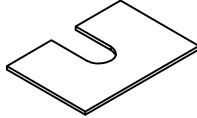
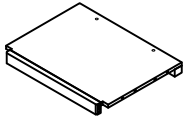
Unit: inch







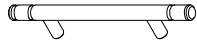




# ASSEMBLY DIAGRAM



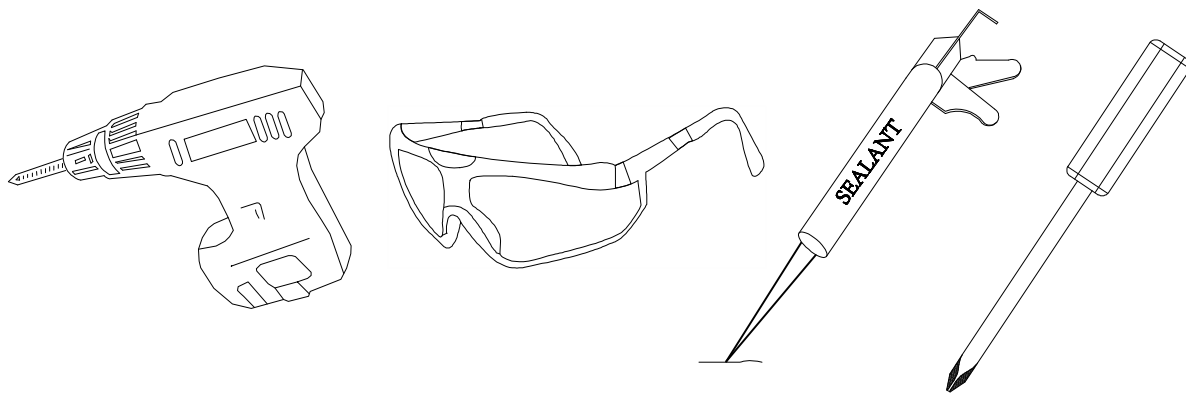
# PARTS LIST

PARTS LIST		
No.	Description	QTY
1		1
2		1
3		1
4		1
5		1
6		1
7		1
8		4
9		1
10		1

HARDWARE LIST		
No.	Description	QTY
A	 Three-in-one Connector	18
B	 Wood Plug	14
C	 SHELF SUPPORT	4
	 Screws M3.5x12	4
D	 Hinges	4
	 Screws M4x12	24
E	 Handle	2
F	 Handle Screws M4x19	4
G	 Screws For Fix On The Wall	2

**CAUTION:** Please confirm the parts list before installtion

# YOU MAY NEED (NOT SUPPLIED)

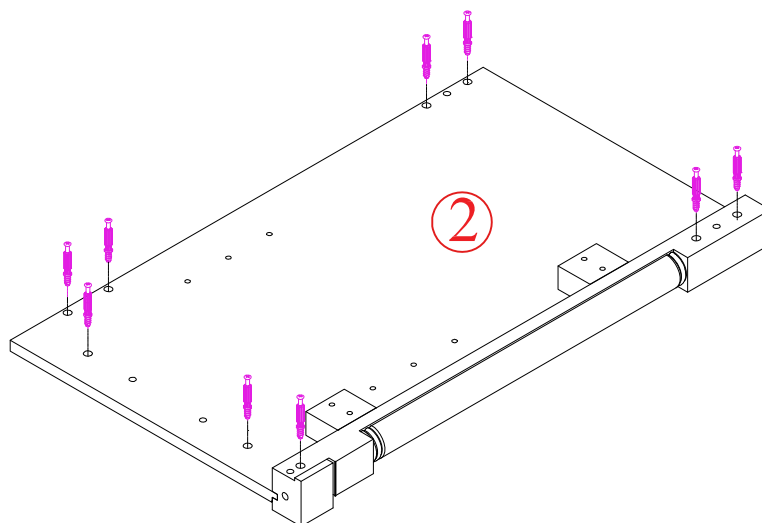
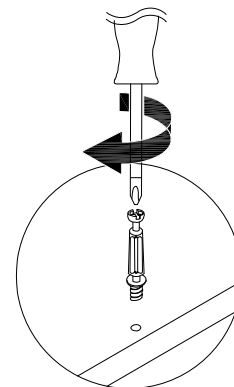
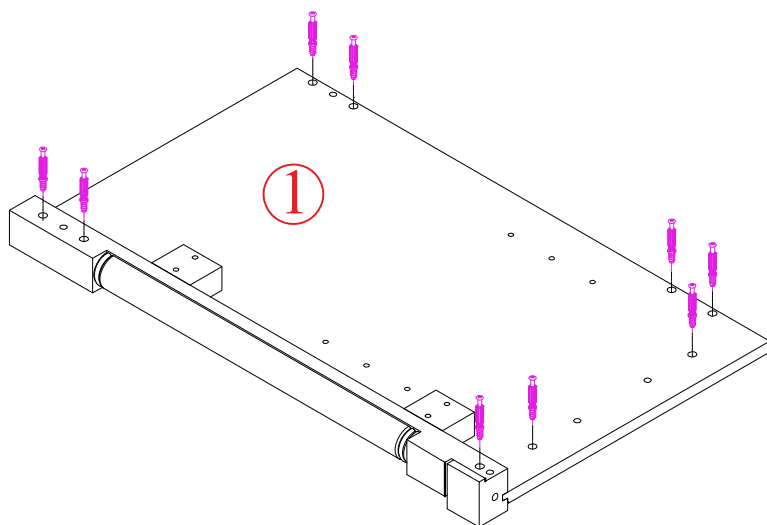


# INSTALLATIONS

## STEP 1

### HARDWARE LIST

A  18 PCS 

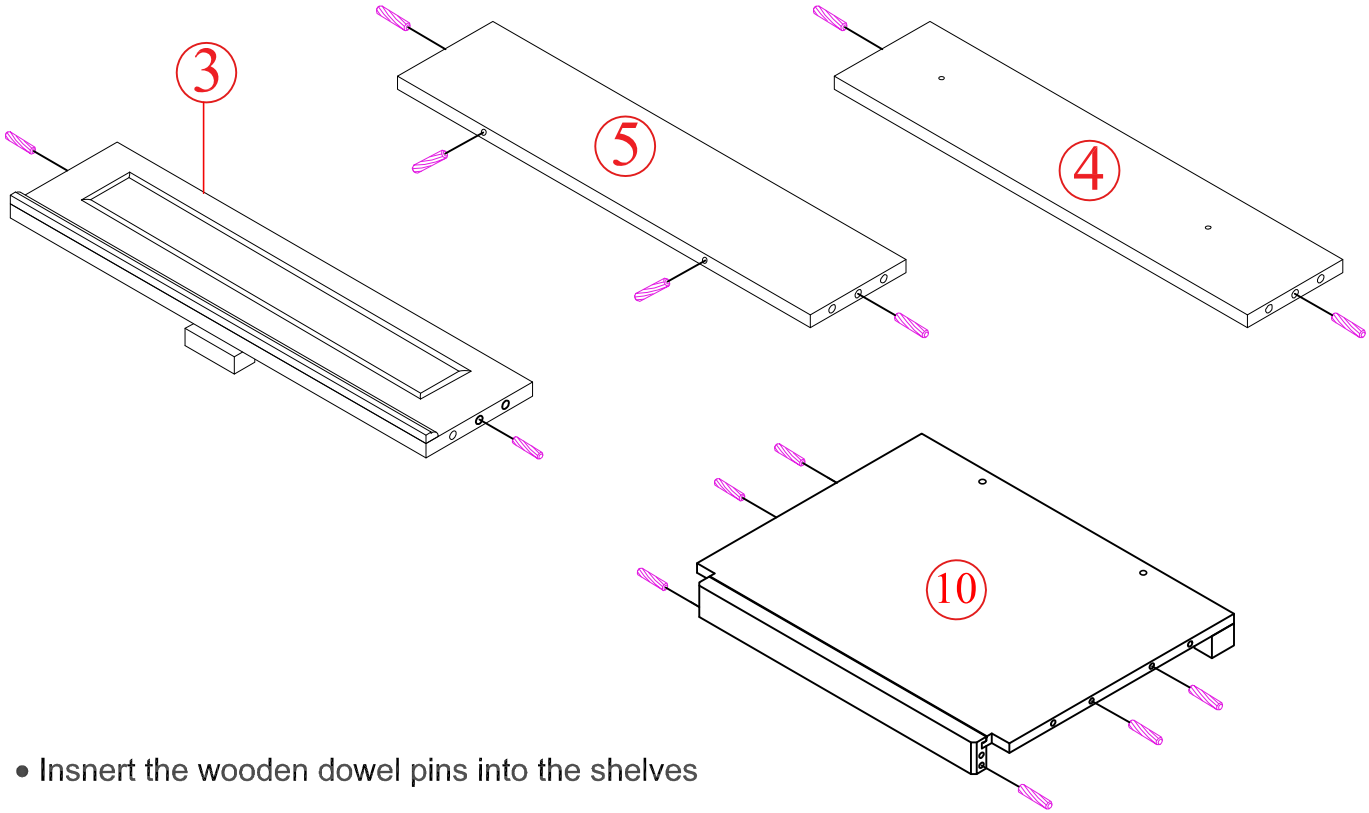


- Insert the Cam Screw into the shelves above

## STEP 2

### HARDWARE LIST

B  14PCS

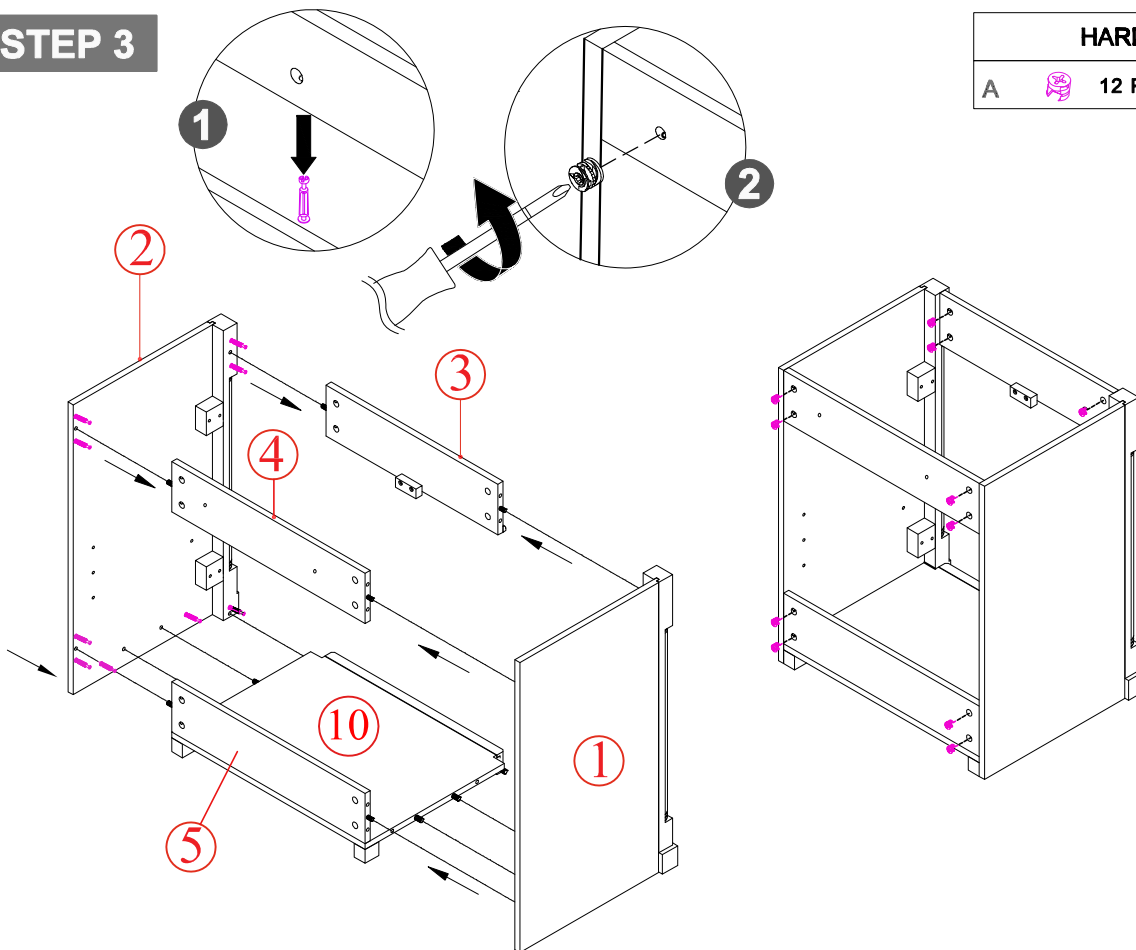


- Insert the wooden dowel pins into the shelves

## STEP 3



### HARDWARE LIST

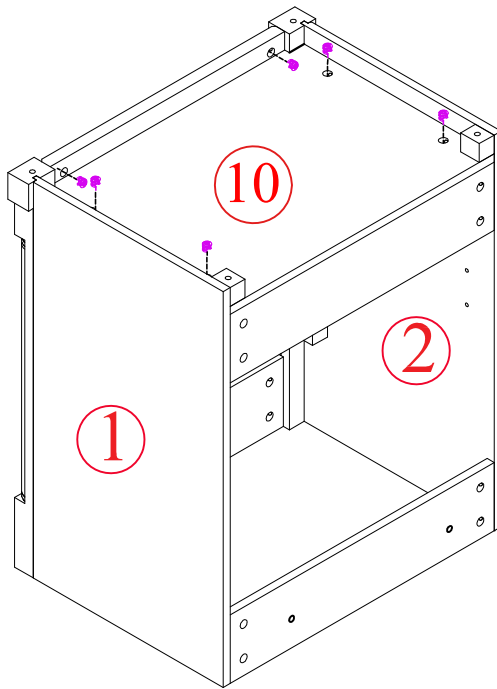
A  12 PCS



- Refer to the illustration, already assembled #3,#4,#5,#10 on the shelf #1 and #2. Then tighten the cam lock.

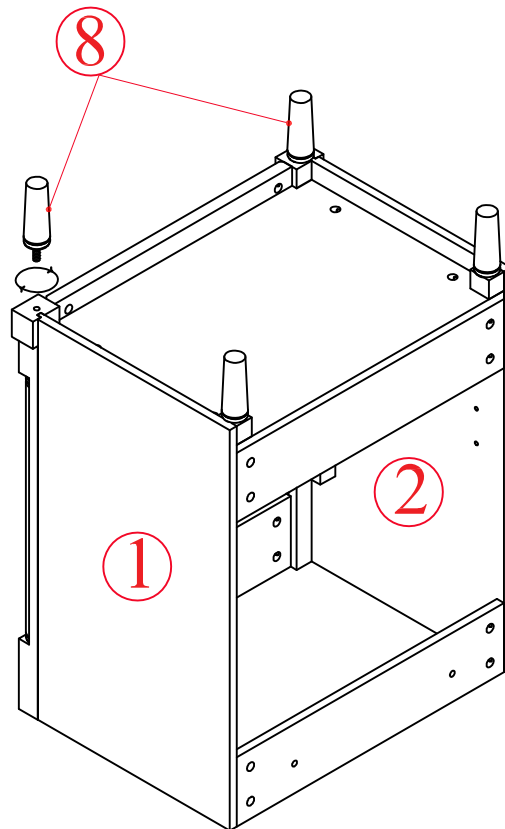
## STEP 4

HARDWARE LIST		
A		6 PCS
		




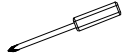

- Insert panel #10 and #1,#2 to their corresponding positions. Then tighten the cam lock.

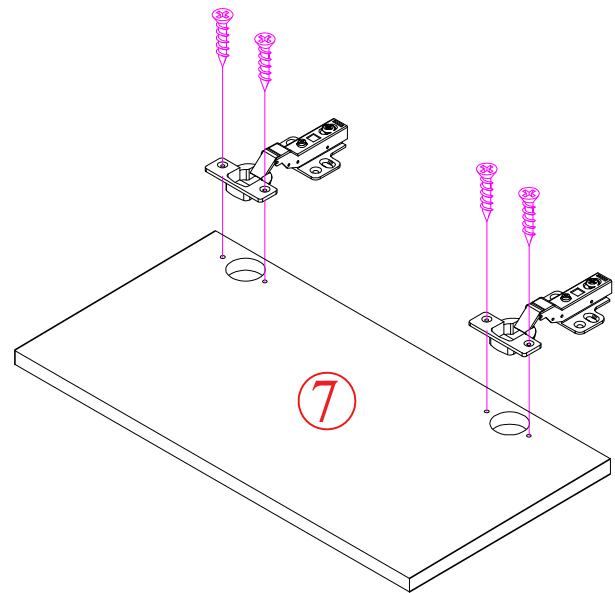
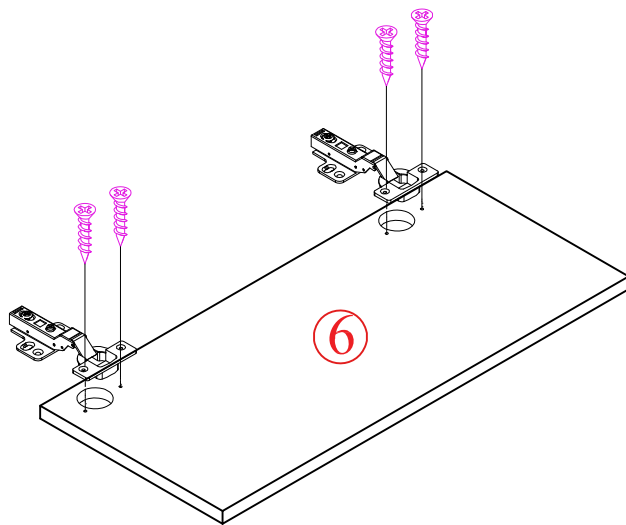
## STEP 5



- Insert the legs #8 into the hip frame positions as show #1,#2.


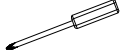
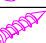
## STEP 6

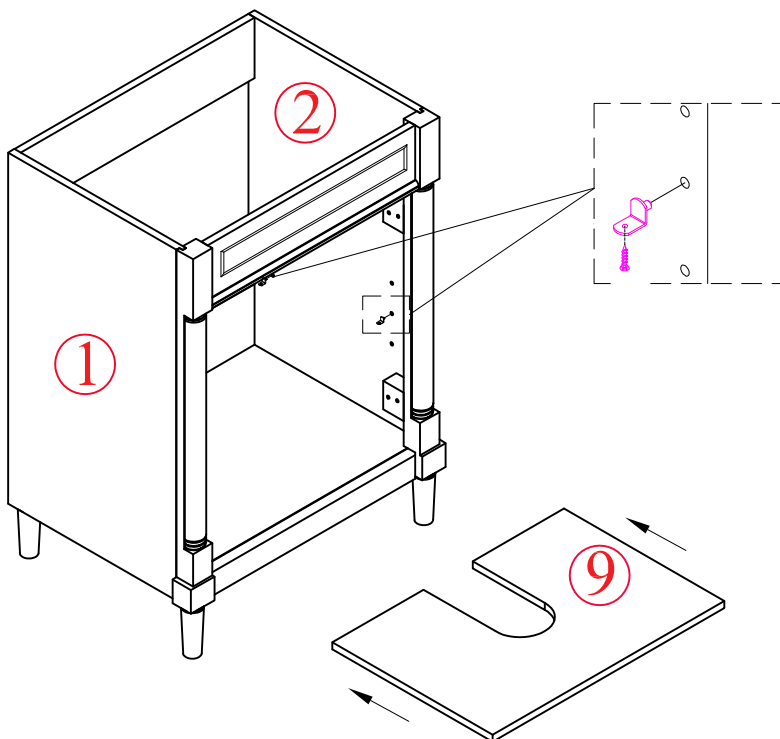
HARDWARE LIST		
D	 4 PCS	
	 8 PCS	



- Use Screws to install the handle and apply Screws to fix the hinge on the shelf #6 and #7.

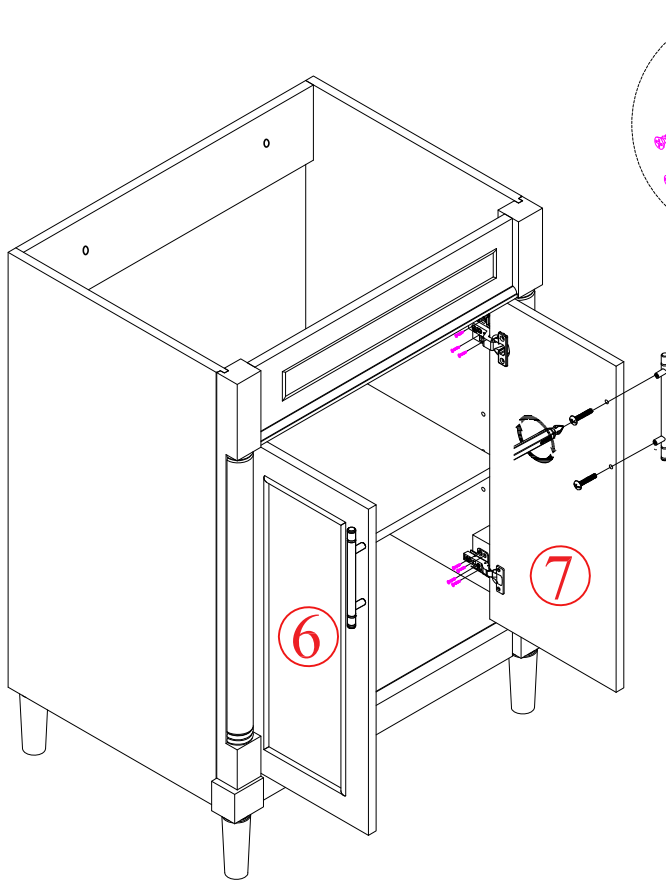
## STEP 7


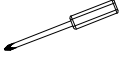
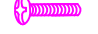

HARDWARE LIST		
C	 4 PCS	
	 4 PCS	

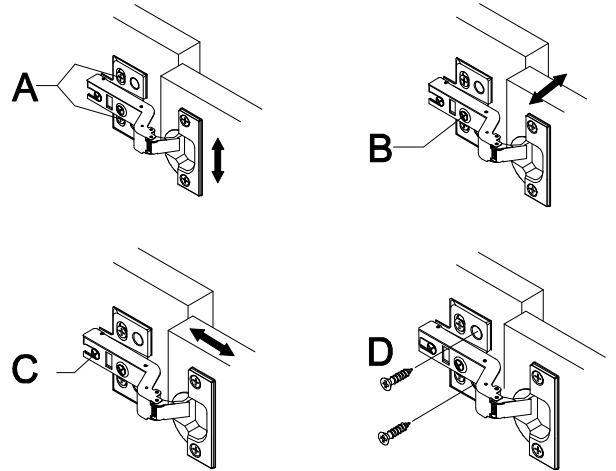


- Insert the floor shelf support sequentially into the side frame #1 and #2 .  
Then put the #9 floor inside the cabinet

## STEP 8



HARDWARE LIST		
E	 2 pcs	
F	 4 pcs	
D	 16 pcs	

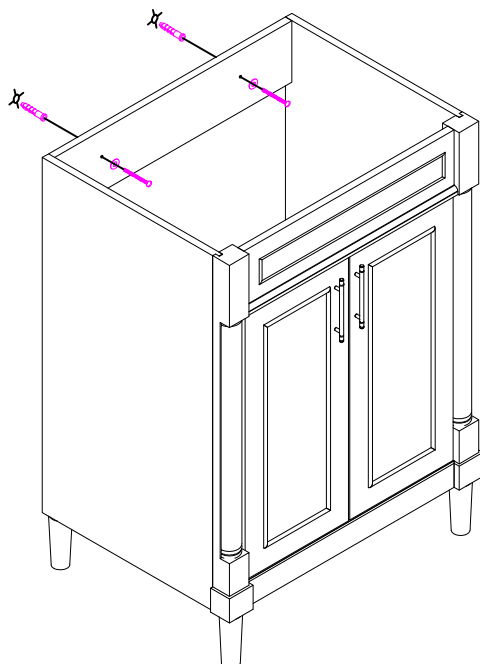



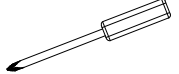


A. Height adjustment  
C. Depth adjustment

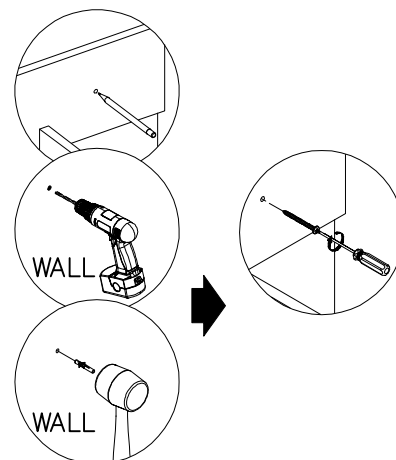
B. Side to side adjustment  
D. After adjustment A/B/C, tighten screws

• To ensure proper cabinet alignment, refer to the above illustrations for instructions about adjusting the cabinet height, depth and lateral movement.

## STEP 9

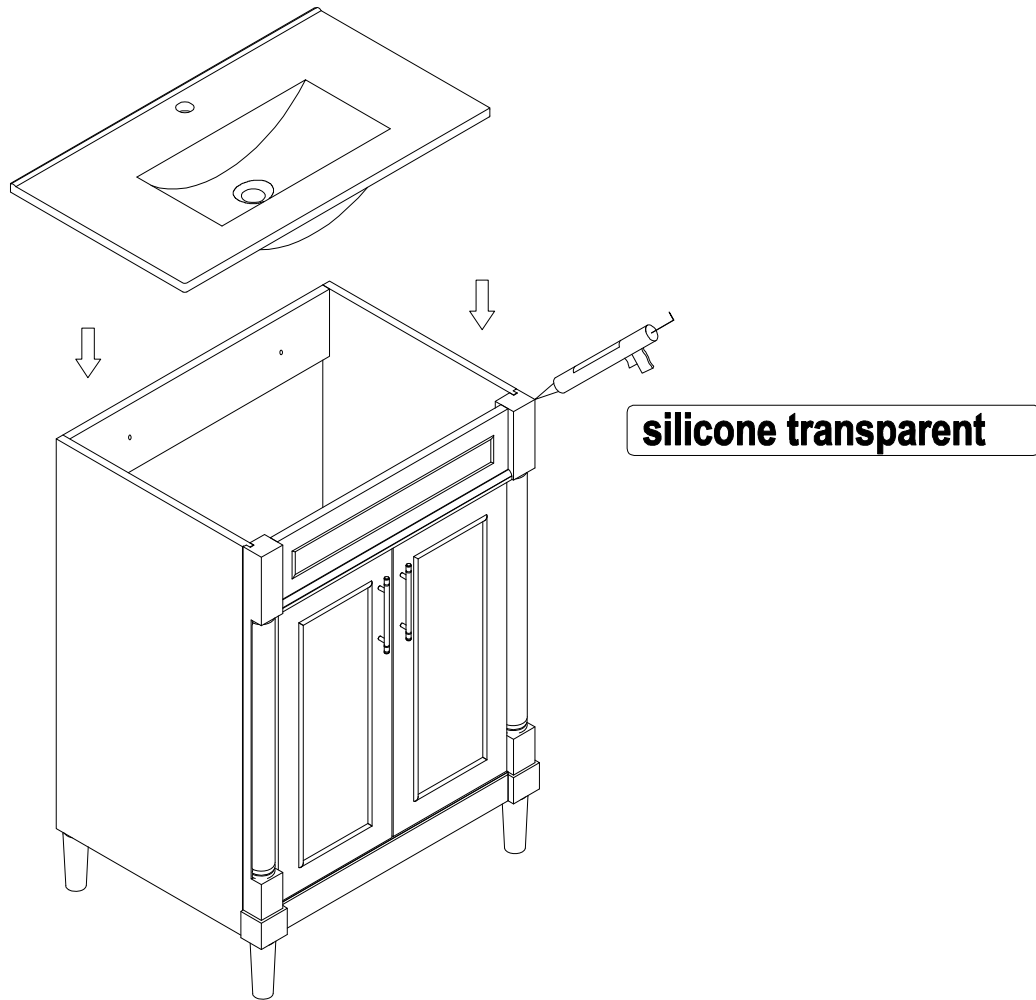


HARDWARE LIST		
G	 2PCS	
G	 2PCS	
G	 2PCS	

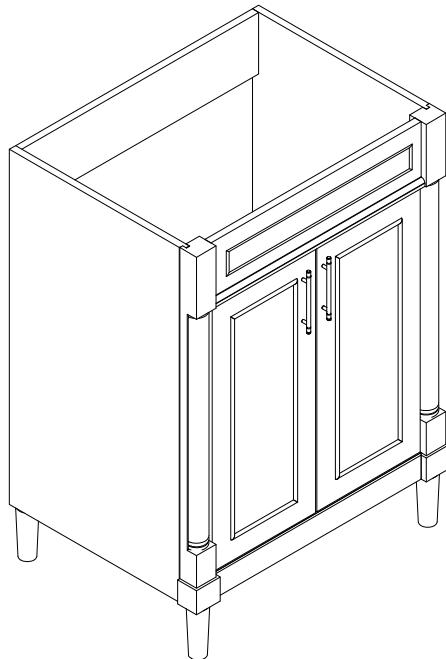


• Refer to the illustration, Draw the spacing between the walls on the cabinet, punch holes in the wall, and fix the cabinet to the wall with screws.

## STEP 10



## STEP 11



- To help prevent mildew, apply sealant to the space between the wall and the edge of the cabinet.

## CARE AND CLEANING

1. Many cleansers contain abrasive and chemical substance which is not suitable for cleaning stainless steel, enamel, plating or plastic products. You may use mild cleansers or soaps to clean the surfaces. Wipe any splashes of cleaner solutions from the surface with a clean soft cloth.
2. Maintain ventilation in the bathroom and separate the dry area from the damp one if conditions permit. Try to open the door and windows of the bathroom to maintain adequate ventilation.
3. This cabinet is built to withstand normal bathroom humidity. For best results, keep this vanity dry and take necessary steps to minimize bathroom humidity by opening windows and doors and using the exhaust fan (if available).
4. To maintain the cabinet door, clean and wipe the door regularly with a soft cloth. Wipe condensation with a dry, soft cloth. Keep away from resin and high temperatures.
5. Please do not sit, lean or step on the basin cabinet.

## FEEDBACK ★★★★★

Thank you very much for purchasing from us.

We have always been trying to provide the best service and reliable products for every customer.

We sincerely hope you will be satisfied with our products and leave us FIVE STARS and POSITIVE feedback/ review in our page.

However, accident may happen sometimes, please contact us to resolve any issue before leaving a negative feedback.

Many thanks and welcome to our shop again!