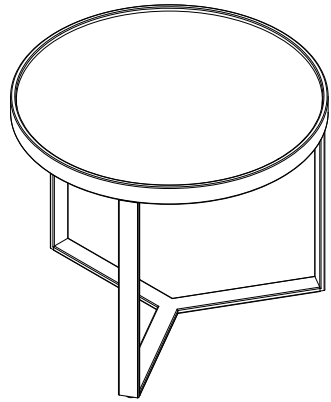
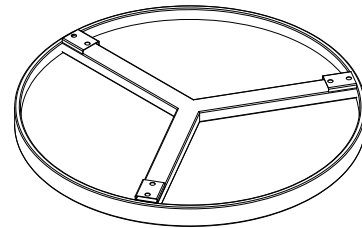


Assembly Instruction

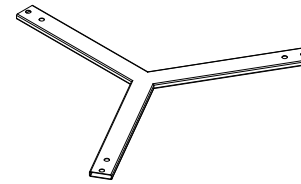


Parts List

Open the hardware check all parts QTY, thanks

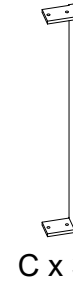


A x 1

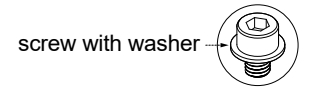


B x 1

⚠ Assemble on a mat that is not easy to scratch
The screw must be loose to finish



C x 3



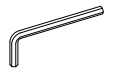
screw with washer



D x 9



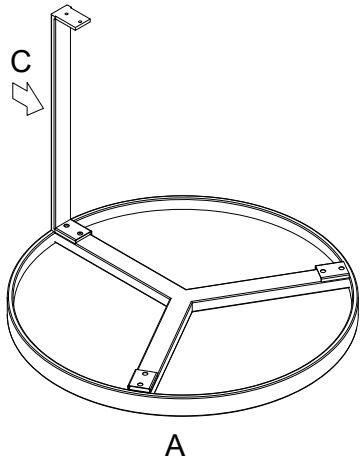
E x 3



F x 1

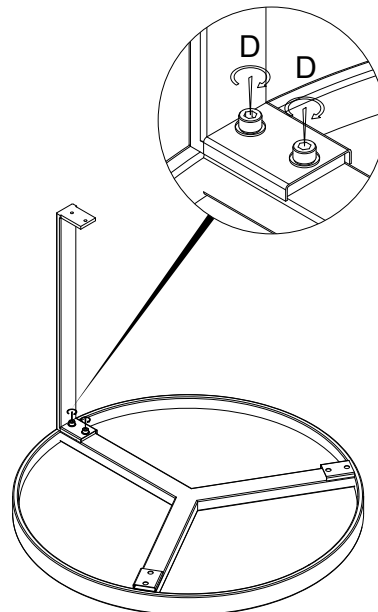
("D" Screwing tool)
(Tighten clockwise)

Step 1

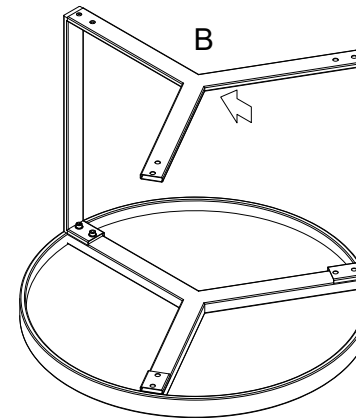


A

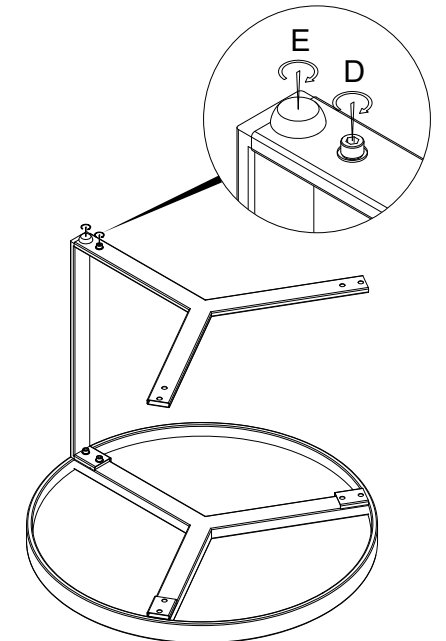
Step 2



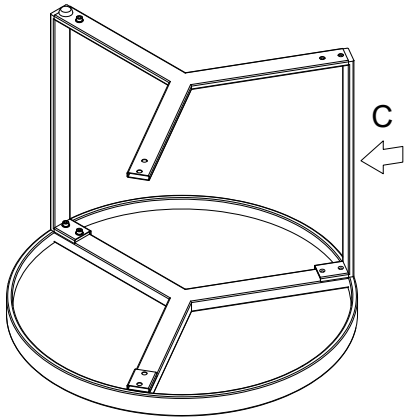
Step 3



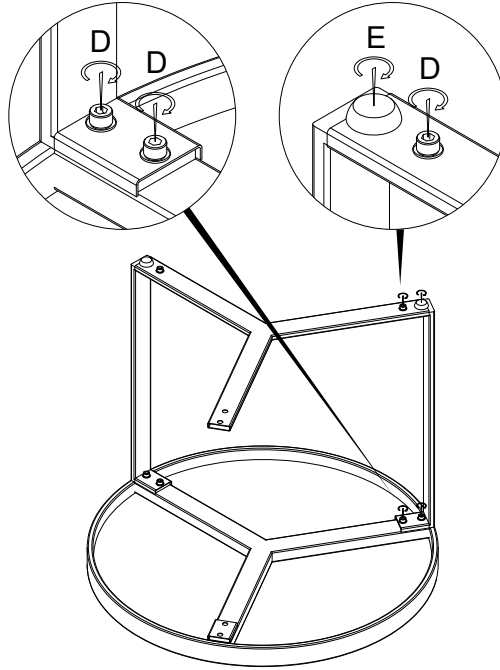
Step 4



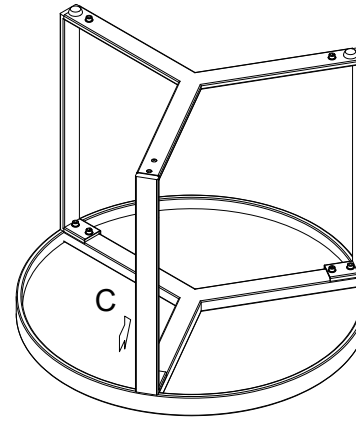
Step 5



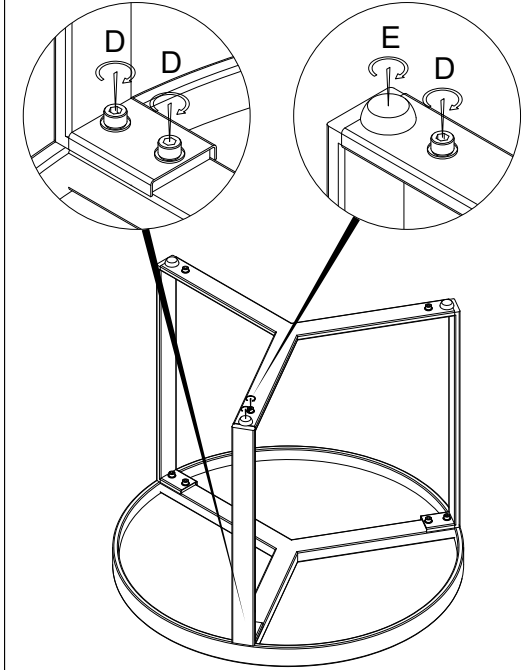
Step 6



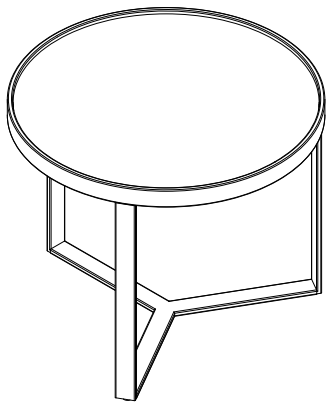
Step 7



Step 8



Step 9



Tighten all screws and turn it over to finish