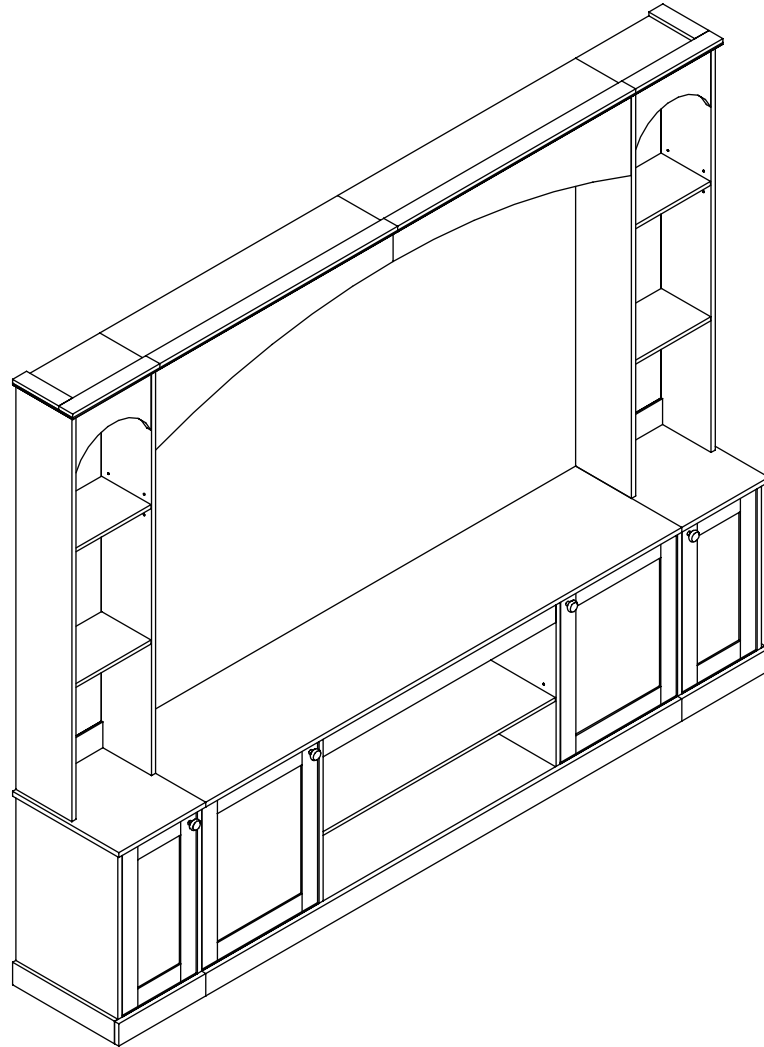


TV Stand

Assembly Instructions - Please keep for future reference



Dimensions

Width-91.65inch

Depth-15inch

Height-73.9inch



WARNING



This product is NOT a Clothing Storage Unit (CSU).
DO NOT use it for clothing storage.
Improper use may cause furniture tipover.

Important – Please read these instructions fully before starting assembly



Safety and Care Advice

Important – Please read these instructions fully before starting assembly

- Check you have all the components and tools listed on the following pages.
- Remove all fittings from the plastic bags and separate them into their groups.
- Keep children and animals away from the work area, small parts could choke if swallowed.
- Make sure you have enough space to layout the parts before starting.

- During assembly do not stand or put weight on the product, this could cause damage.
- Assemble the item as close to its final position (in the same room) as possible.
- Assemble on a soft level surface to avoid damaging the unit or your floor.
- Parts of the assembly will be easier with 2 people.



- To reduce the likelihood of damaging your product please ensure that your power drill is set on a low torque setting.

Care and maintenance

- Only clean using a damp cloth and mild detergent, do not use bleach or abrasive cleaners.
- From time to time check that there are no loose screws on this unit.
- This product should not be discarded with household waste. Take to your local authority waste disposal centre.

Handy Hints

- Assemble all parts and bolts loosely during assembly, only once the product is complete should you fully tighten the bolts
- Regularly check and ensure that all bolts and fittings are tightened properly.

WARNING
In order to help prevent overturning – please follow these instructions

To help prevent product toppling over please follow the below steps:-

- Use the anti tip strap or wall fixing method provided (if applicable)
- Do not allow children to climb or hang on the furniture
- Do not open more than one drawer at a time
- Do not place heavy items in the top drawers
- Do not place heavy items on top of the furniture, unless the furniture has been designed for this purpose

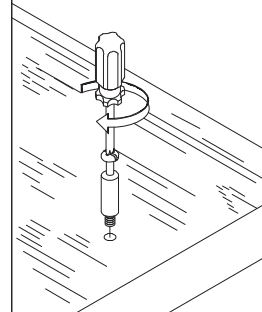
Using Camlocks

Step 1

Connect the male camlock as directed in the assembly instructions using a screwdriver.

1

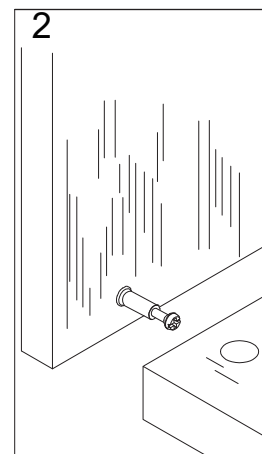
DO NOT OVER TIGHTEN.
NE PAS SERRER EXCESSIVEMENT.



Step 2

Push the male camlock into the entry hole.

2

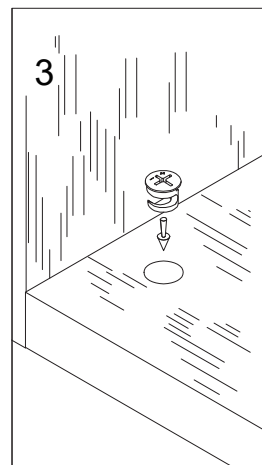


Step 3

Insert the female camlock as shown in the instruction.

Note: ensure that the arrow on the top of the camlock points towards the entry hole for the male camlock.

3



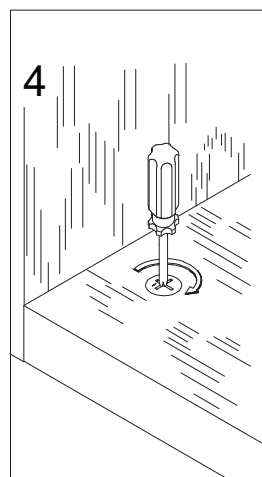
Step 4

Turn the female camlock clockwise with a screwdriver.

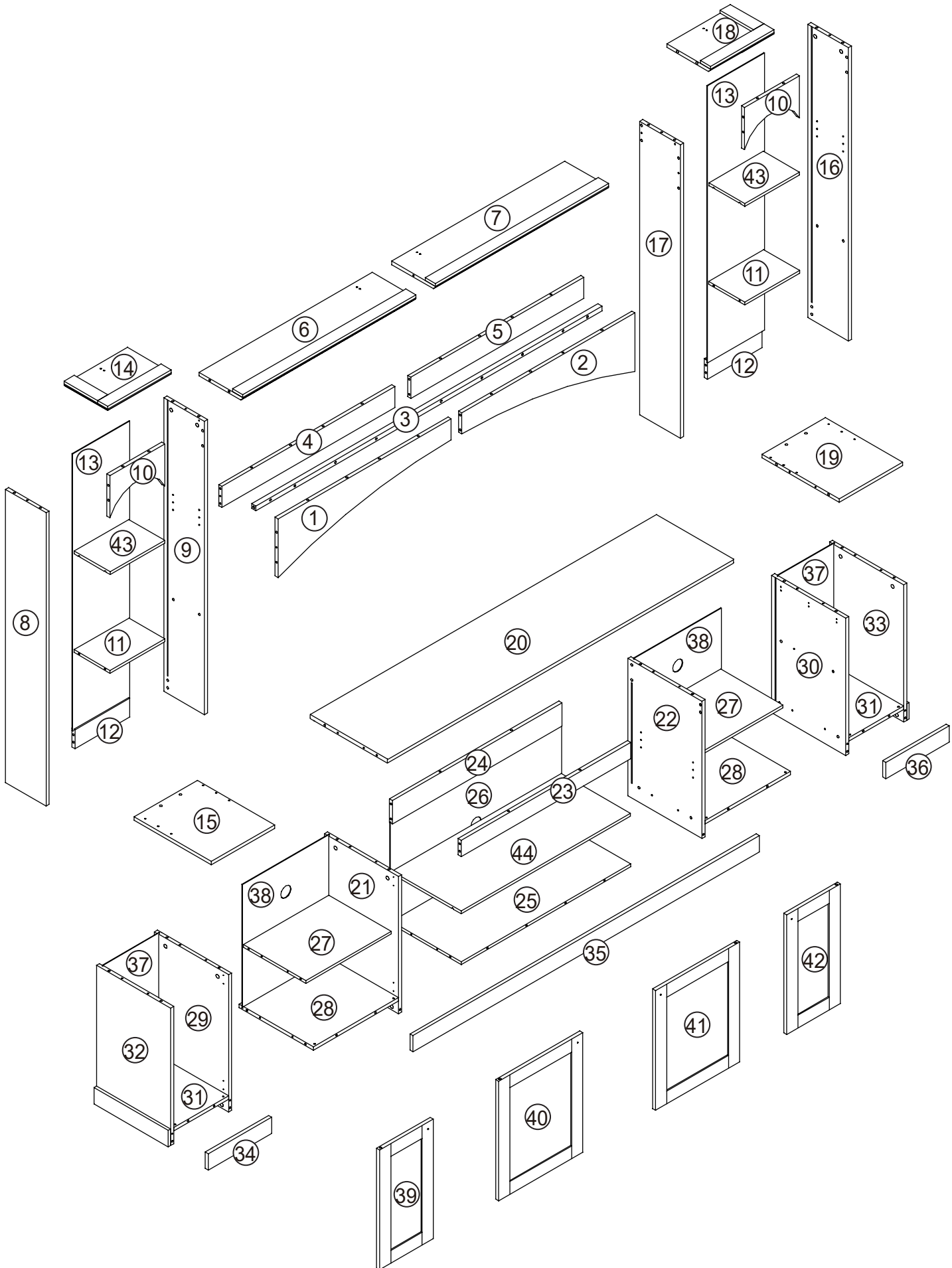
You should feel a click when the camlock is locked in place.

The joint is now secure.

4



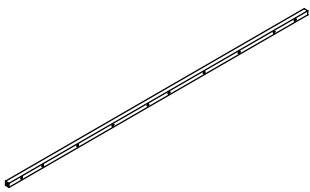
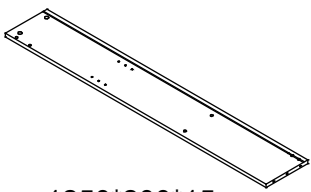
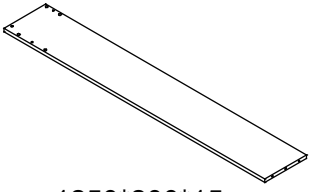
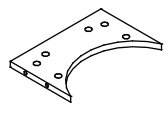
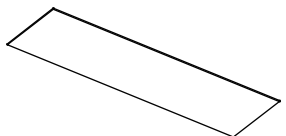
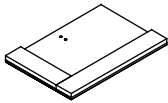
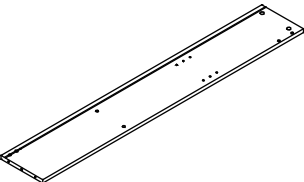
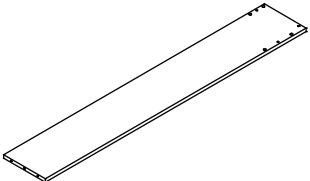
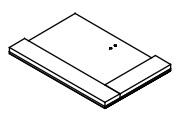
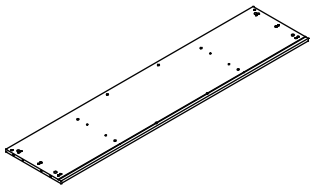
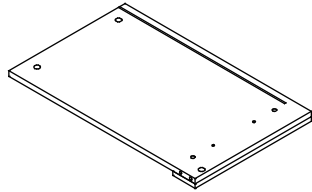
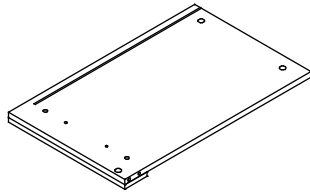
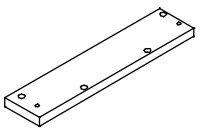
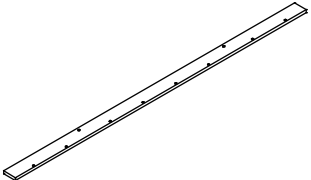
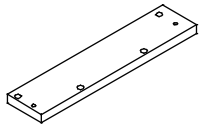
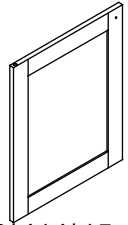
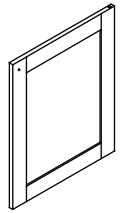
Assembly Instructions



Assembly Instructions

There are 2 boxes of this product

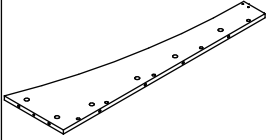
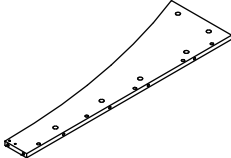
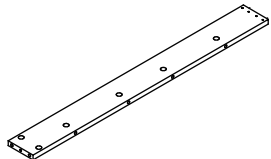
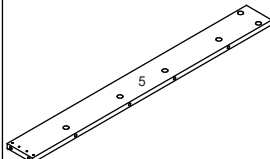
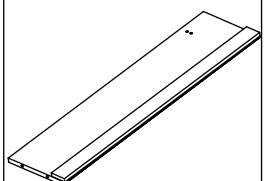
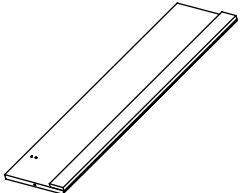
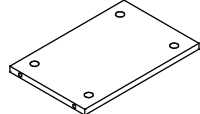
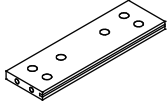
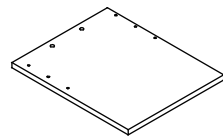
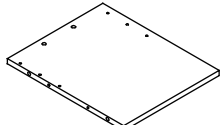
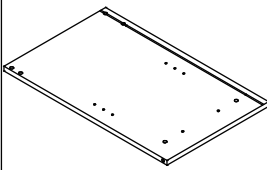
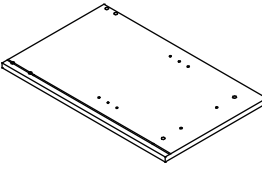
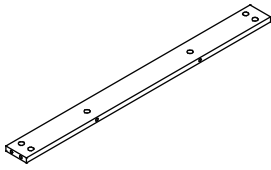
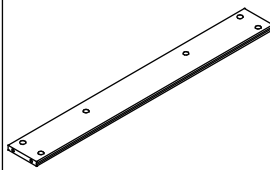
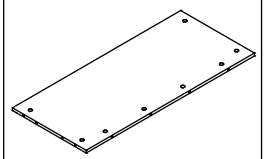
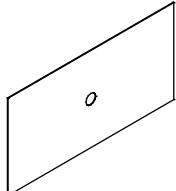
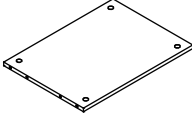
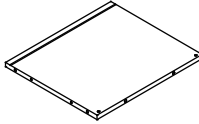
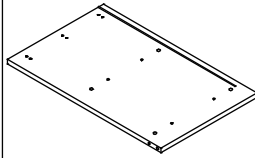
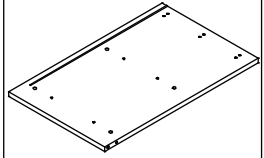
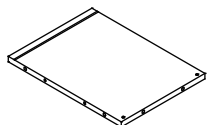
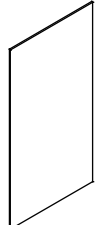
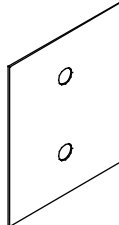
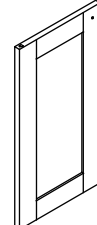
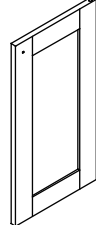
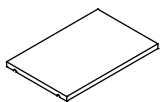
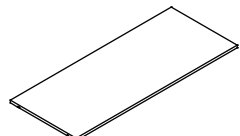
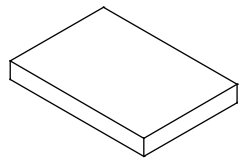
BOX-1: N721P378202

 <p>1704*20*20mm ③ X 1</p>	 <p>1250*200*15mm ⑧ X 1</p>	 <p>1250*200*15mm ⑨ X 1</p>	 <p>270*180*15mm ⑩ X 2</p>
 <p>1181*281*3mm ⑬ X 2</p>	 <p>312*215*27mm ⑭ X 1</p>	 <p>1250*200*27mm ⑯ X 1</p>	 <p>1250*200*27mm ⑰ X 1</p>
 <p>312*215*27mm ⑱ X 1</p>	 <p>1704*380*15mm ⑳ X 1</p>	 <p>585*365*27mm ㉓ X 1</p>	 <p>585*365*27mm ㉔ X 1</p>
 <p>312*69*15mm ㉔ X 1</p>	 <p>1704*69*15mm ㉕ X 1</p>	 <p>312*69*15mm ㉖ X 1</p>	 <p>510*414*15mm ㉔ X 1</p>
 <p>510*2414*15mm ㉔ X 1</p>			

Assembly Instructions

There are 2 boxes of this product

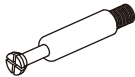

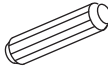
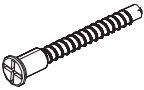
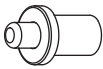
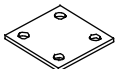
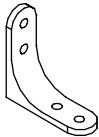

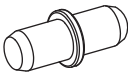
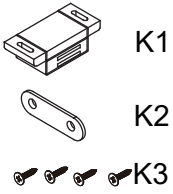

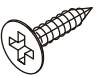


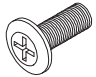
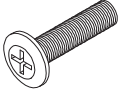

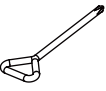
BOX-12: N721P378203

 <p>852*250*15mm ① X 1</p>	 <p>852*250*15mm ② X 1</p>	 <p>852*90*15mm ④ X 1</p>	 <p>852*90*15mm ⑤ X 1</p>	 <p>852*215*27mm ⑥ X 1</p>
 <p>852*215*27mm ⑦ X 1</p>	 <p>270*177*15mm ⑪ X 2</p>	 <p>270*80*15mm ⑫ X 2</p>	 <p>380*312*15mm ⑮ X 1</p>	 <p>380*312*15mm ⑲ X 1</p>
 <p>585*365*15mm ⑳ X 1</p>	 <p>585*365*15mm ㉒ X 1</p>	 <p>834*70*15mm ㉓ X 1</p>	 <p>834*100*15mm ㉔ X 1</p>	 <p>834*365*15mm ㉕ X 1</p>
 <p>843*427*3mm ㉖ X 1</p>	 <p>420*306*12mm ㉗ X 2</p>	 <p>420*365*15mm ㉘ X 2</p>	 <p>585*365*15mm ㉙ X 1</p>	 <p>585*365*15mm ㉚ X 1</p>
 <p>365*270*15mm ㉛ X 2</p>	 <p>526*280*3mm ㉟ X 2</p>	 <p>527*429*3mm ㊸ X 2</p>	 <p>510*264*15mm ㊹ X 1</p>	 <p>510*264*15mm ㊺ X 1</p>
 <p>268.5*177*12mm ㊻ X 2</p>	 <p>832.5*340*12mm ㊼ X 1</p>	 <p>Hardware Pack X1</p>		

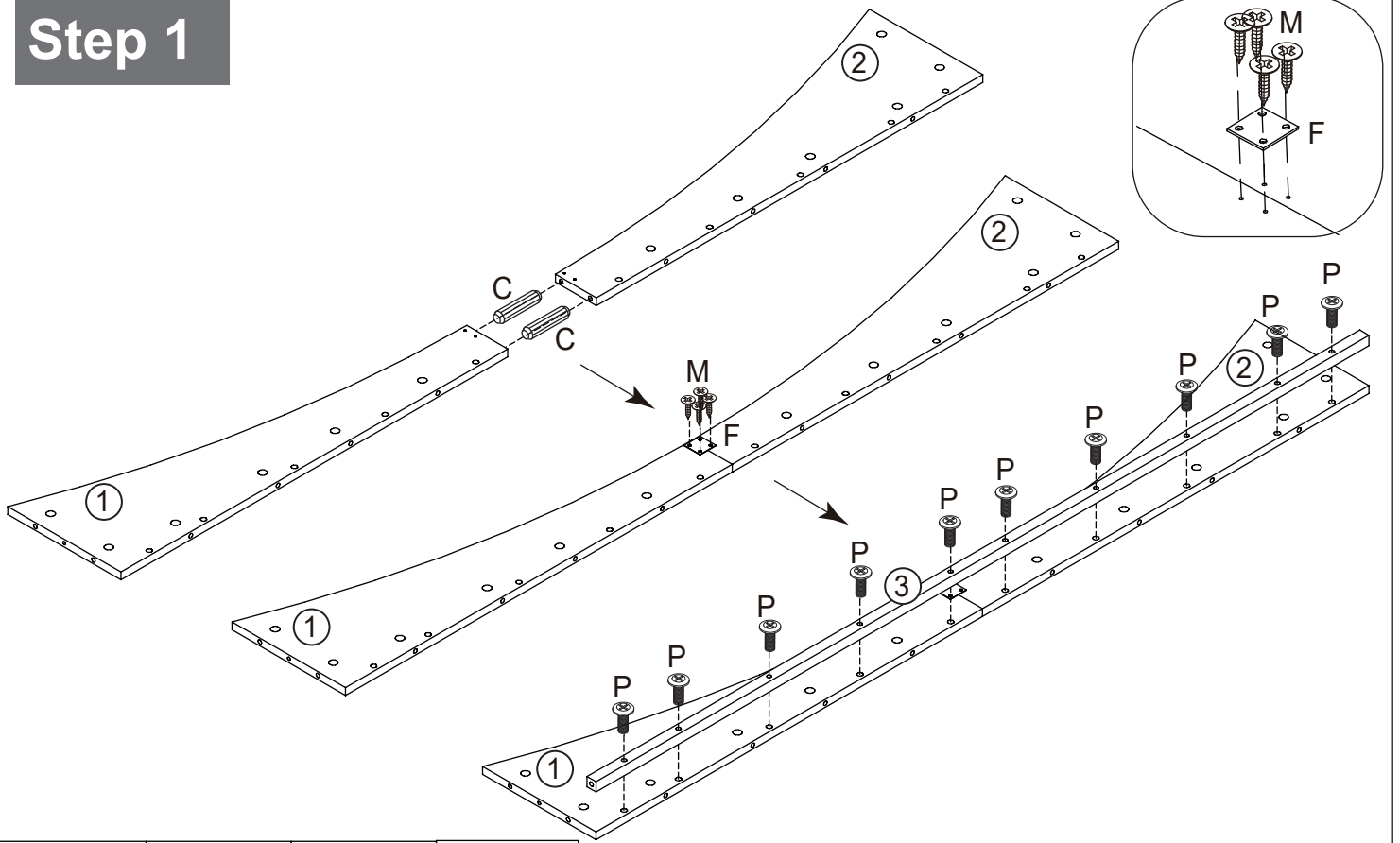
Components-Fittings

Please check you have all the panels listed below

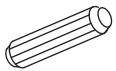
Note: The quantities below are the correct amount to complete the assembly. In some cases more fittings may be supplied than are required.

<p>(A)</p>  <p>Cam Bolt x 142+2</p>	<p>(B)</p>  <p>Cam Lock x 142+2</p>	<p>(C)</p>  <p>6*30mm Dowel x 65+2</p>	<p>(D)</p>  <p>5*40mm Screw x 8+1</p>
<p>(E)</p>  <p>Rotating shaft x 8+2</p>	<p>(F)</p>  <p>Iron sheet x 5</p>	<p>(G)</p>  <p>Angle iron x 6</p>	<p>(H)</p>  <p>Handle x 4</p>
<p>(J)</p>  <p>Metal shelf support x 12+ 2</p>	<p>(K)</p>  <p>door holder x 8</p>	<p>(L)</p>  <p>Back panel buckle x 60+2</p>	<p>(M)</p>  <p>3.5*14mm Screw x 44+2</p>
<p>(N)</p>  <p>Perfect Fit x 45</p>	<p>(O)</p>  <p>felt x 48+2</p>	<p>(P)</p>  <p>6*30mm Screw x 10+1</p>	<p>(R)</p>  <p>6*50mm Screw x 2+1</p>
<p>(S)</p>  <p>Anti dumping x 4 set</p>		<p>(T)</p>  <p>Screwdriver x 1</p>	

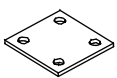
Step 1



C*2



F*1



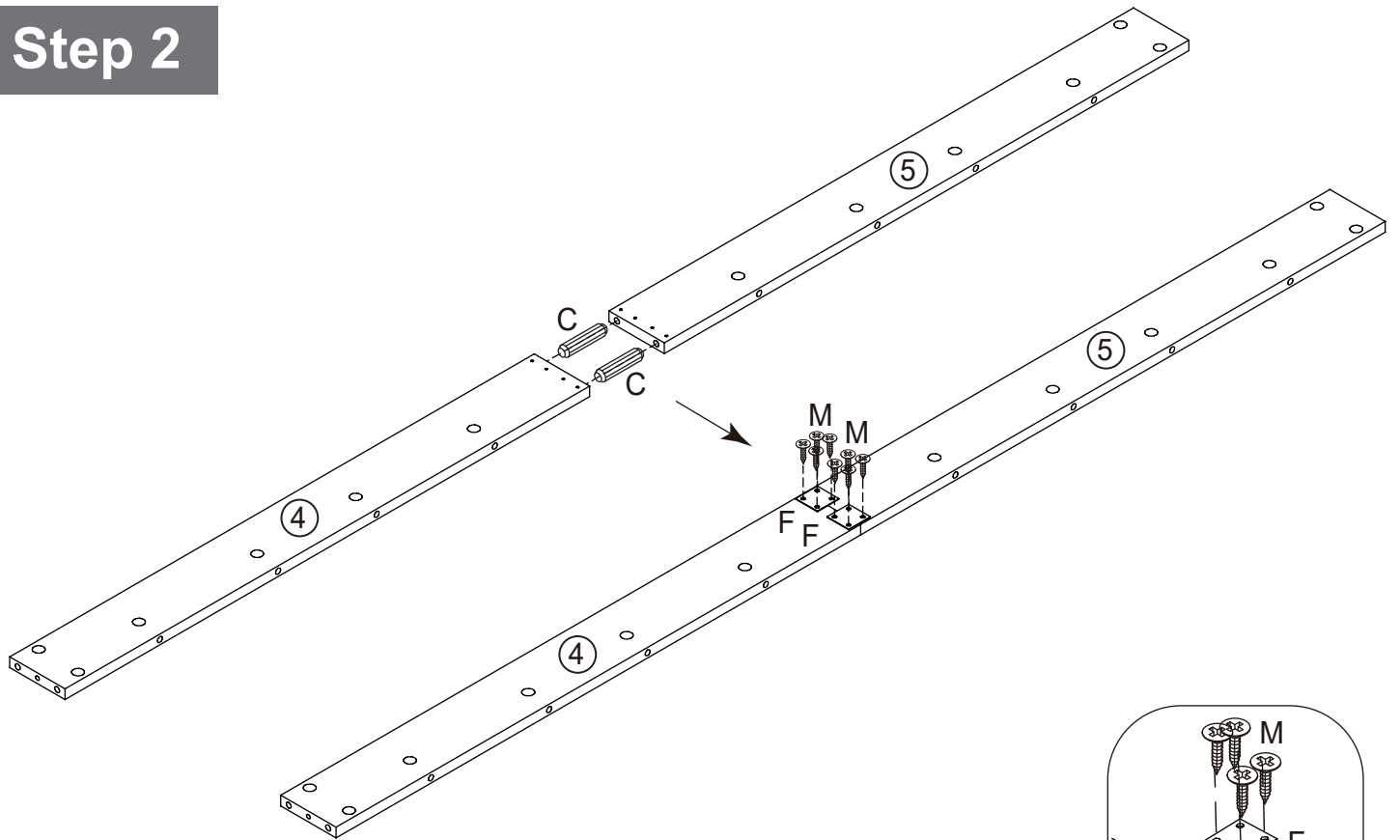
M*4



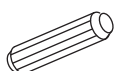
P*10



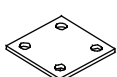
Step 2



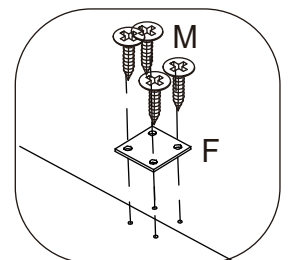
C*2



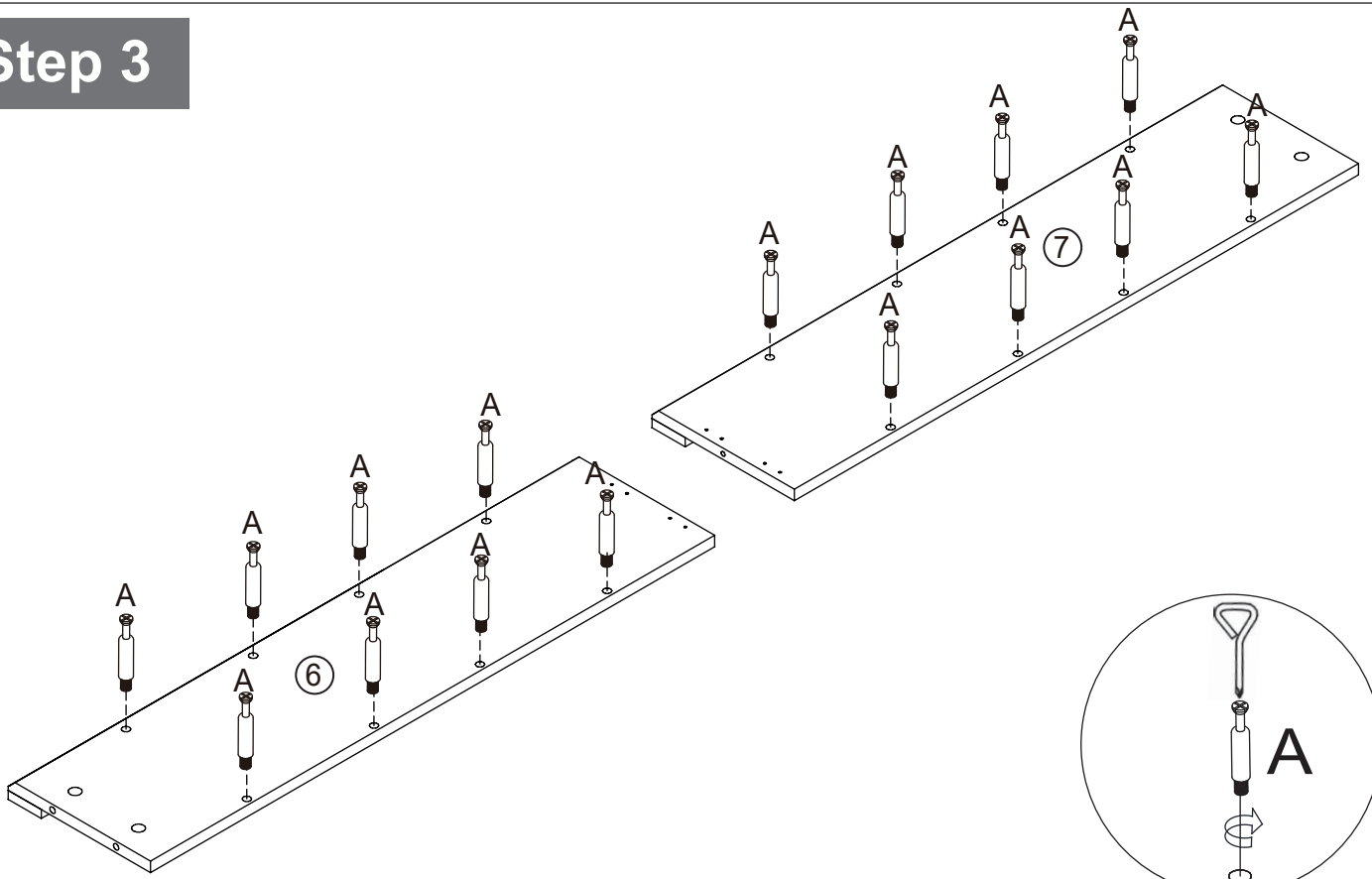
F*2



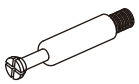
M*8



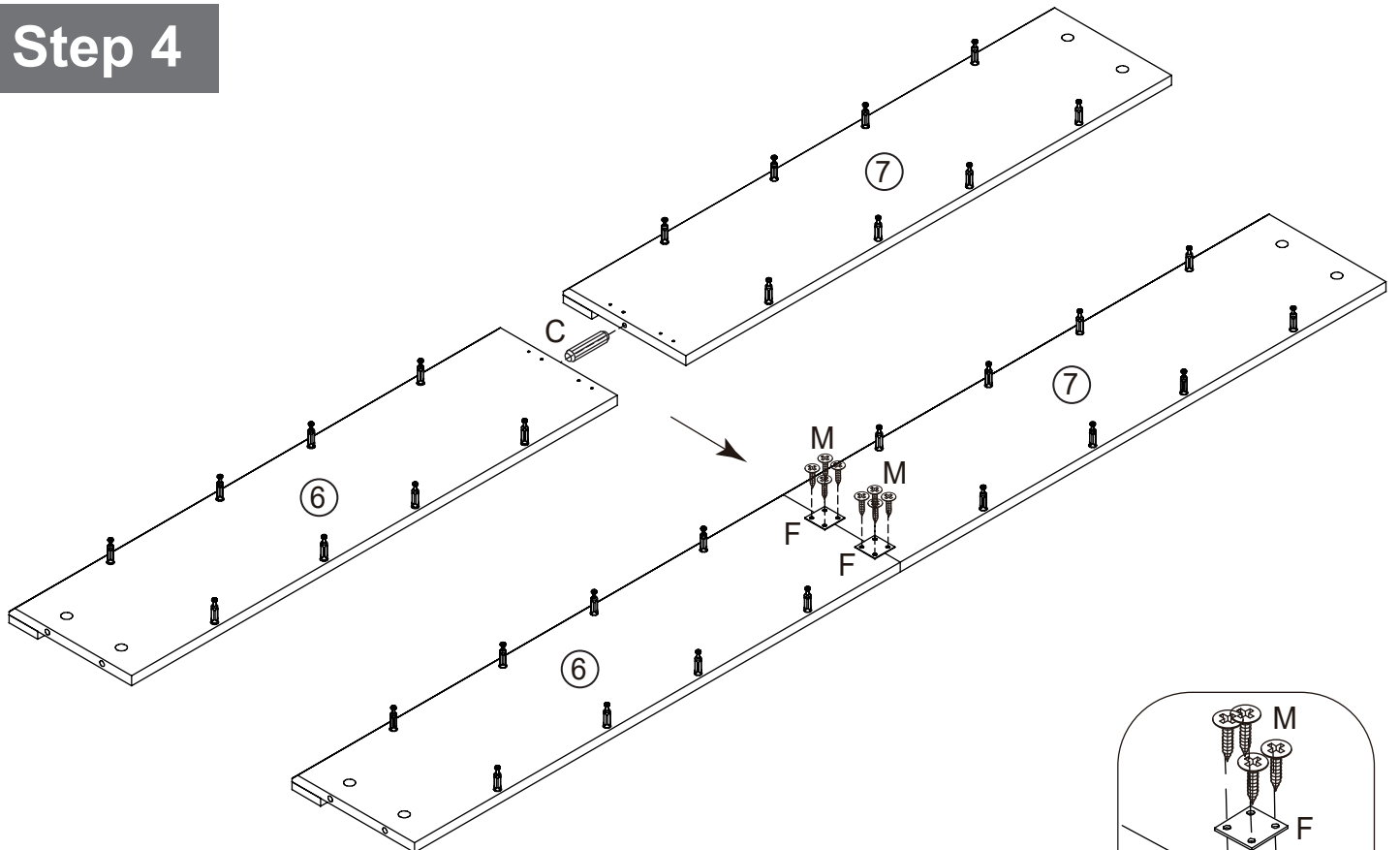
Step 3



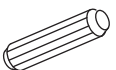
A*16



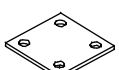
Step 4



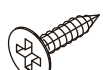
C*1



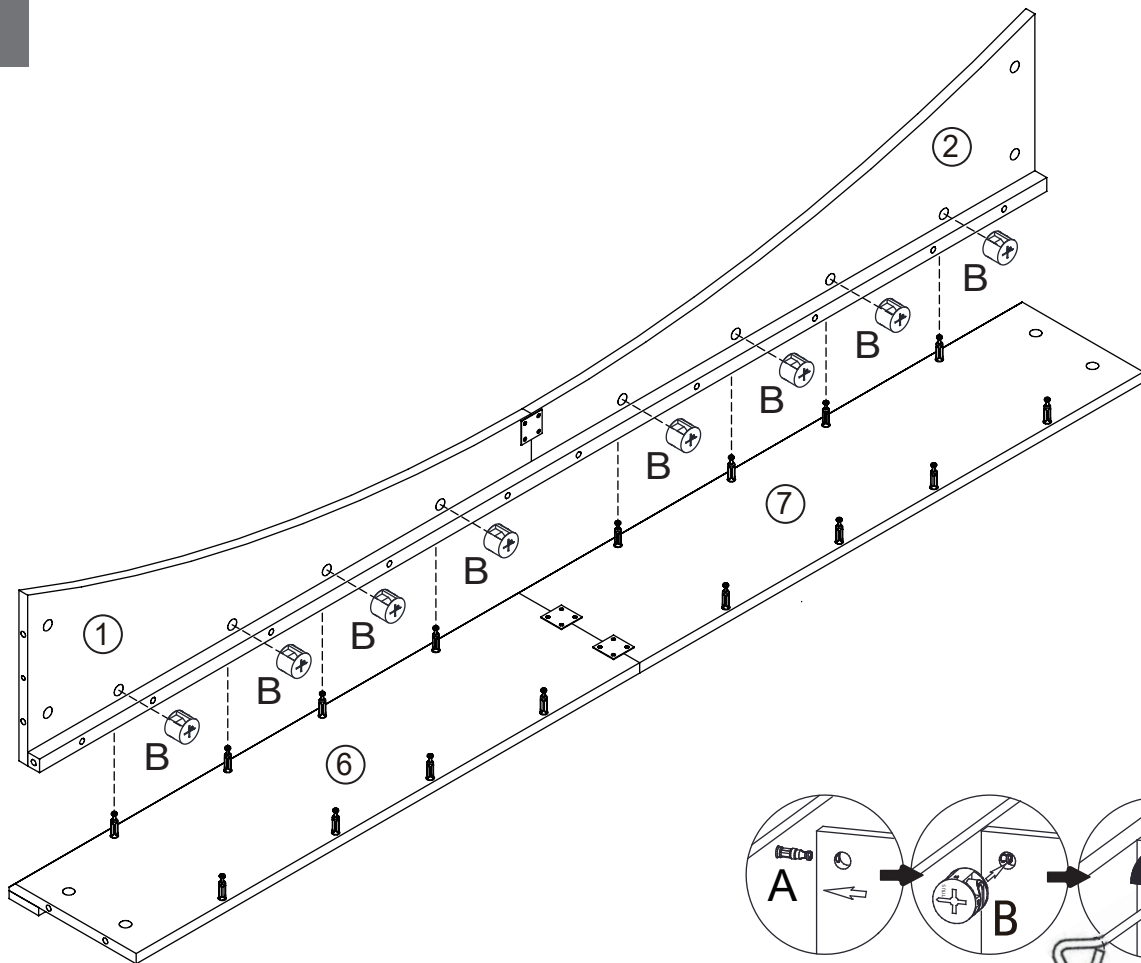
F*2



M*8



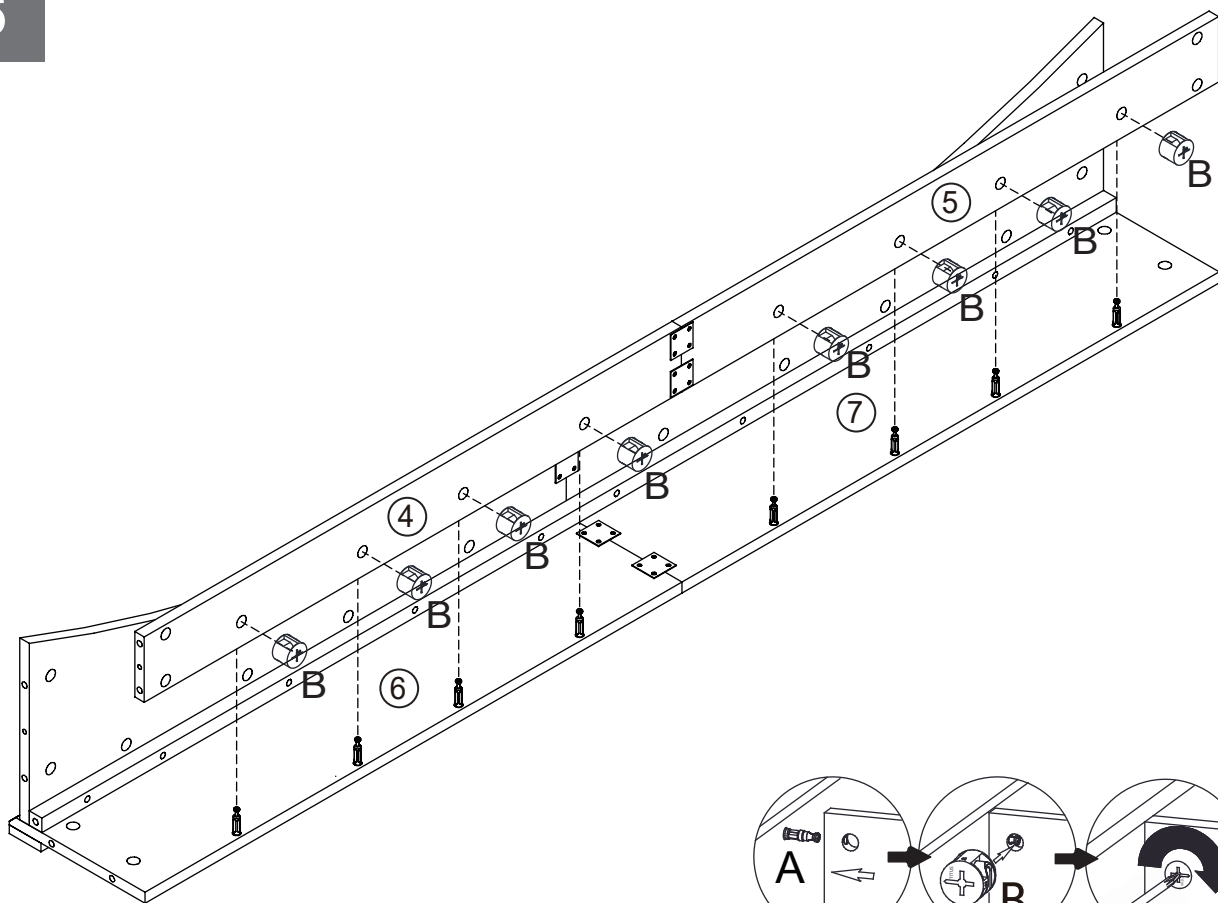
Step 5



B*8



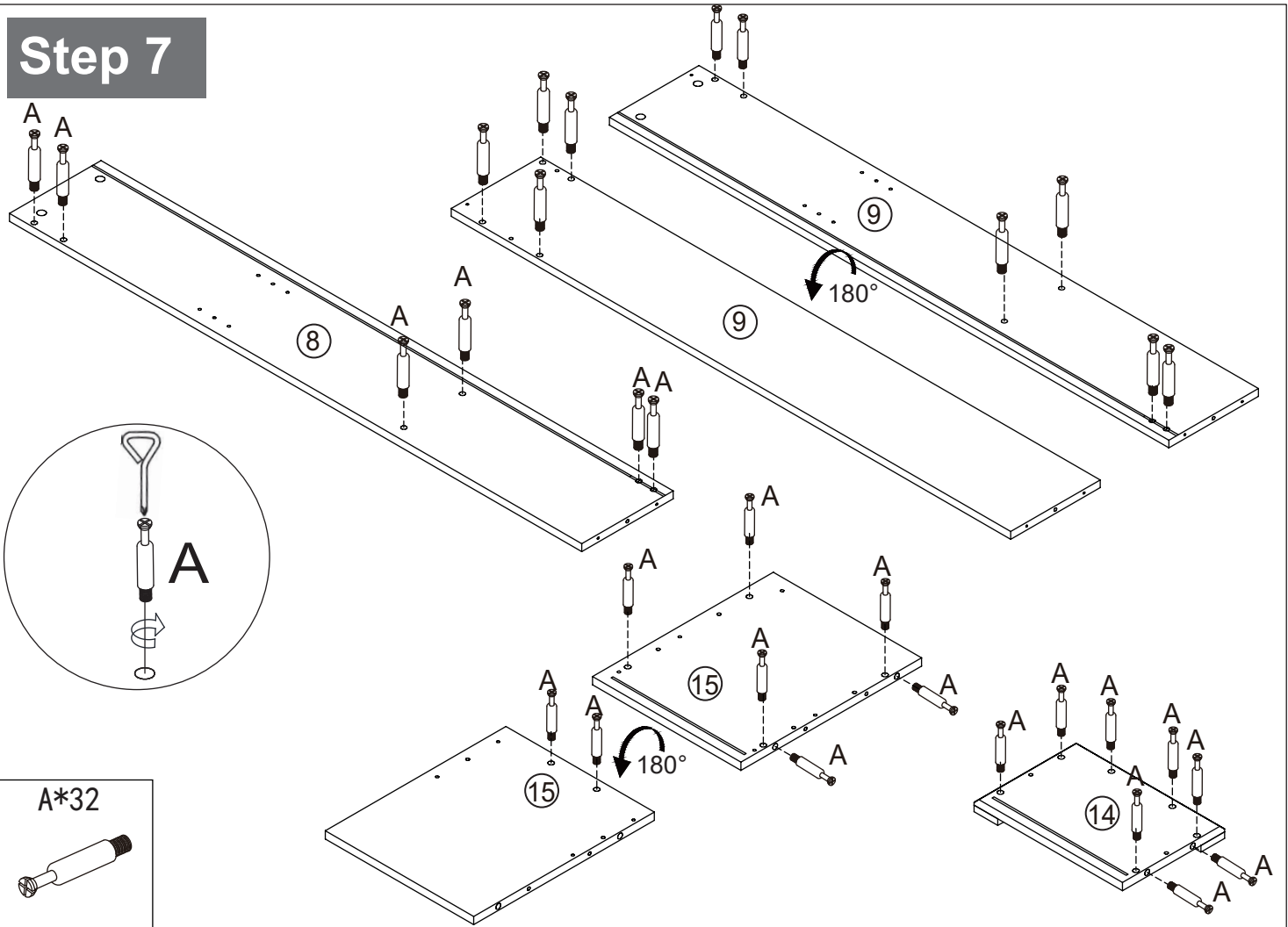
Step 6



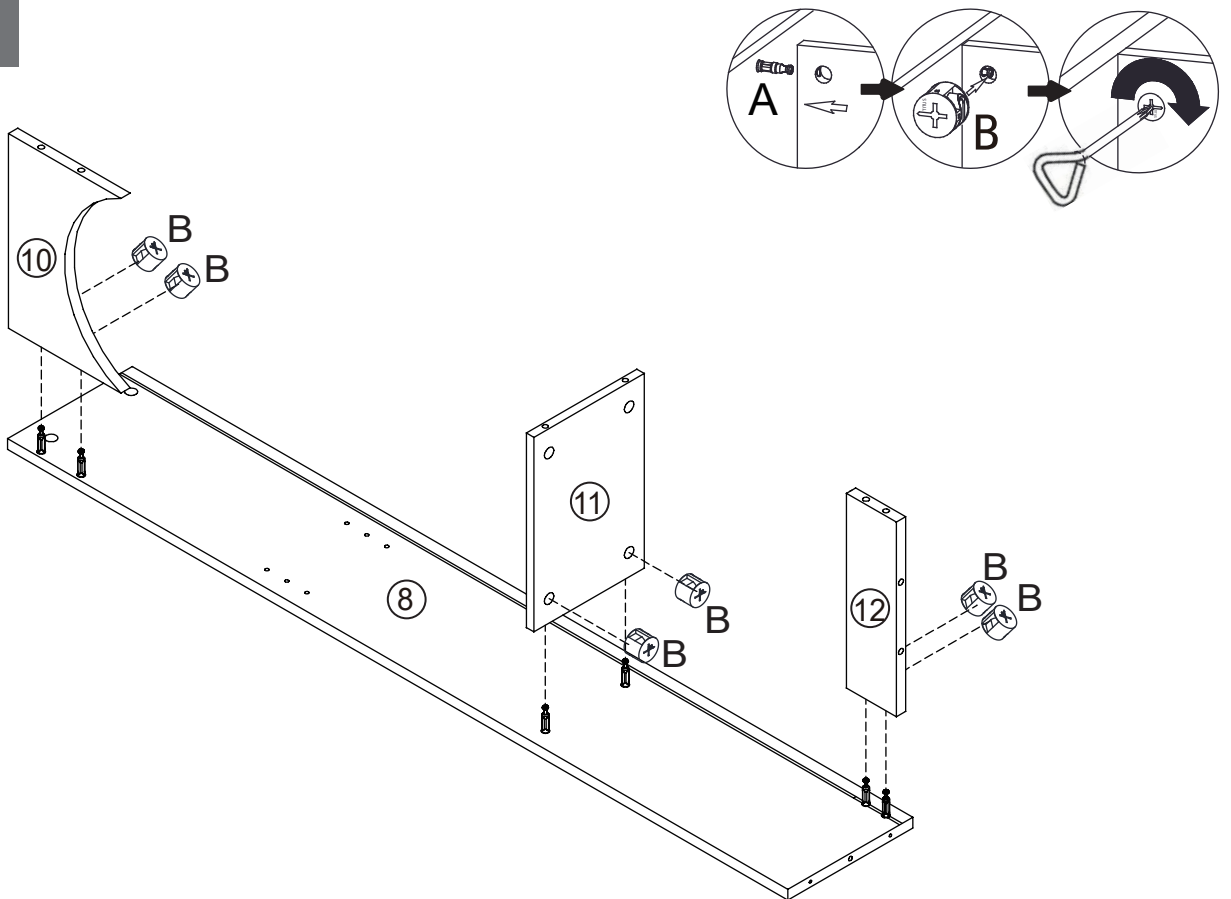
B*8



Step 7



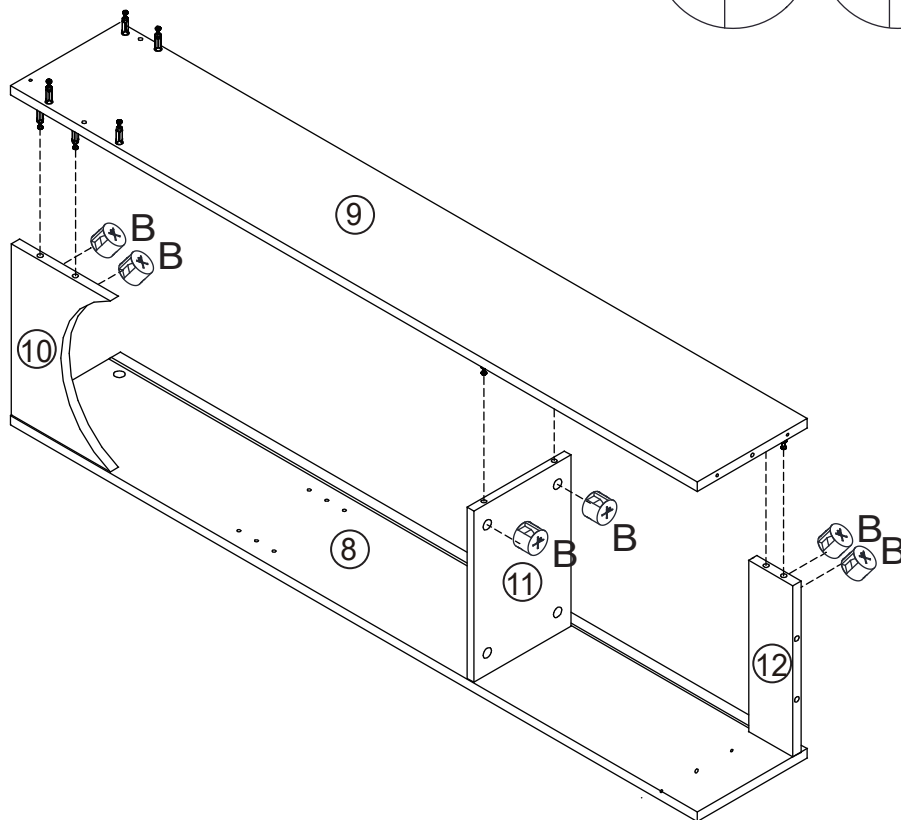
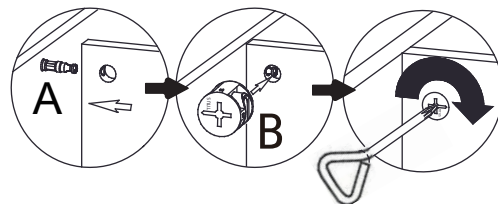
Step 8



B*6



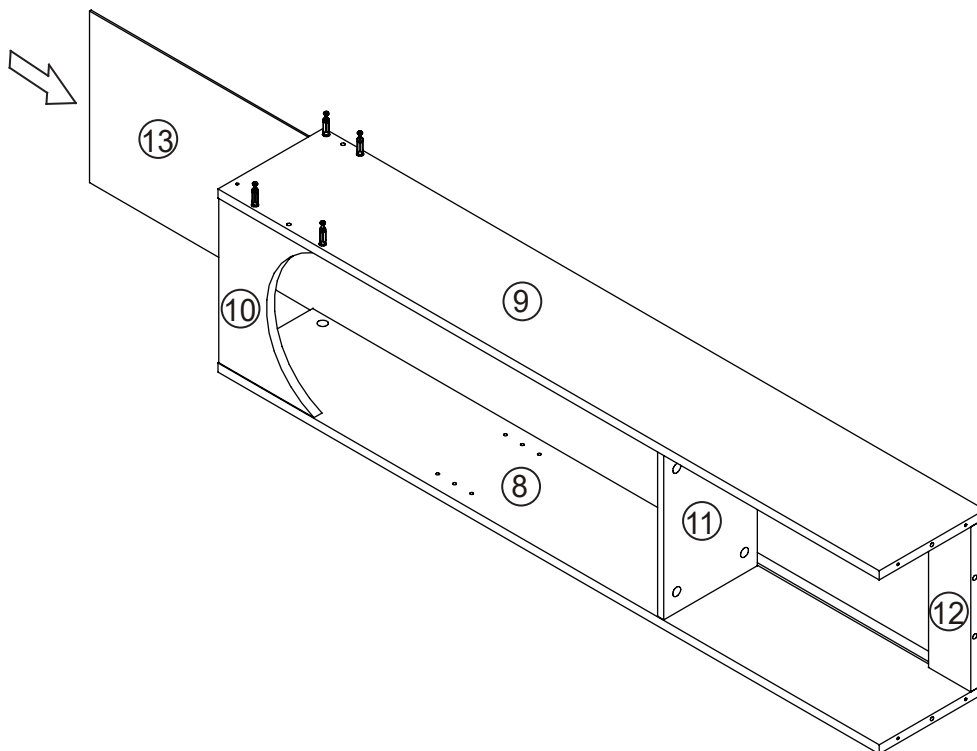
Step 9



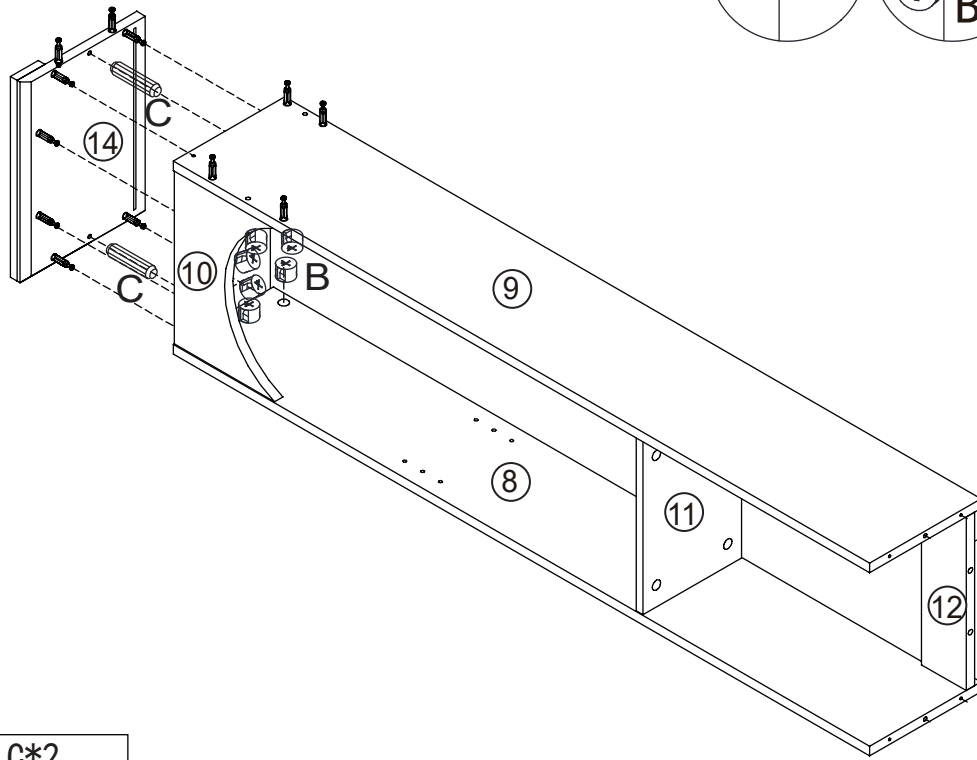
B*6



Step 10



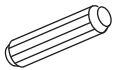
Step 11



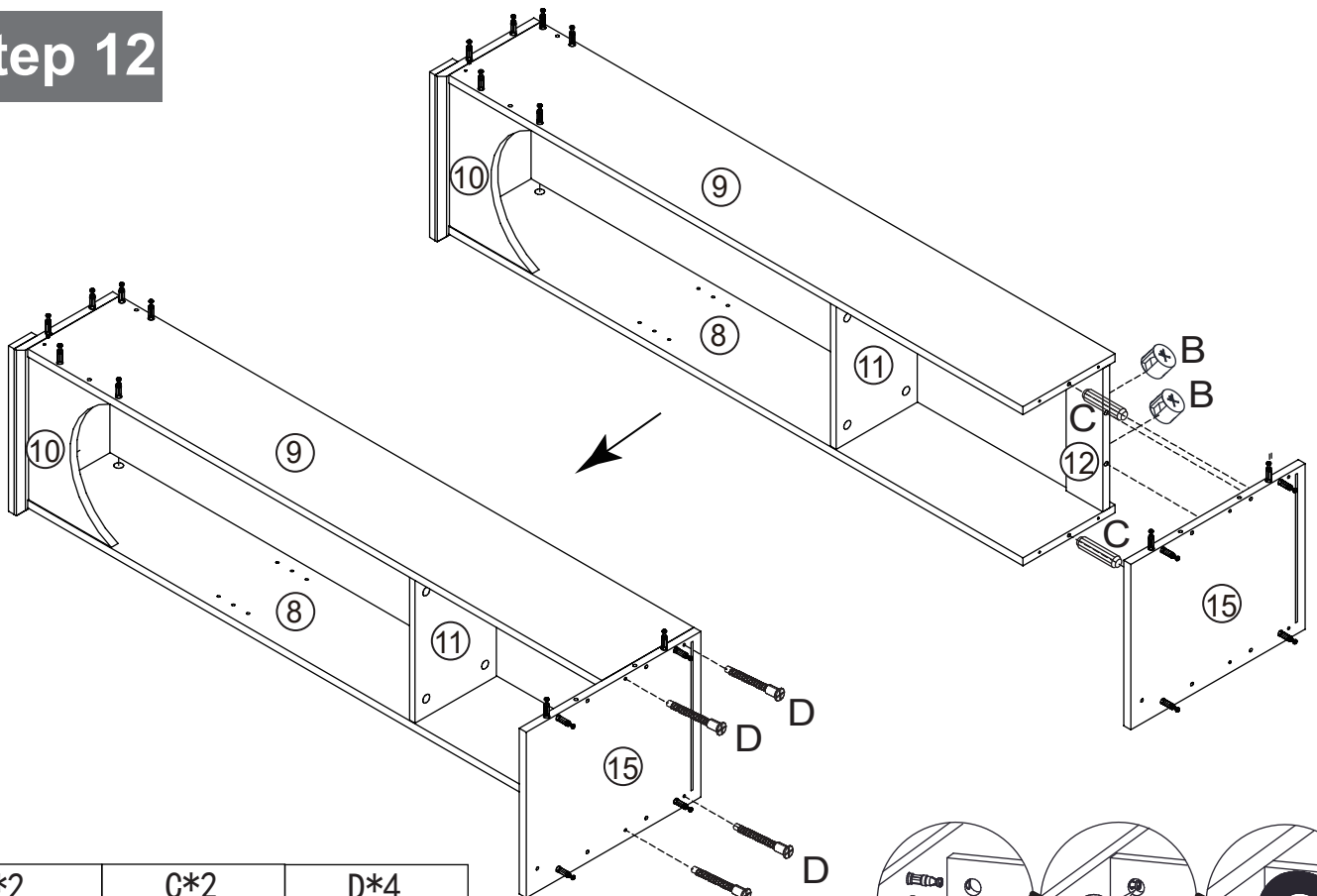
B*6



C*2



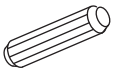
Step 12



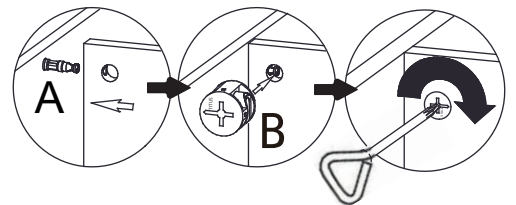
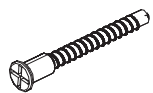
B*2



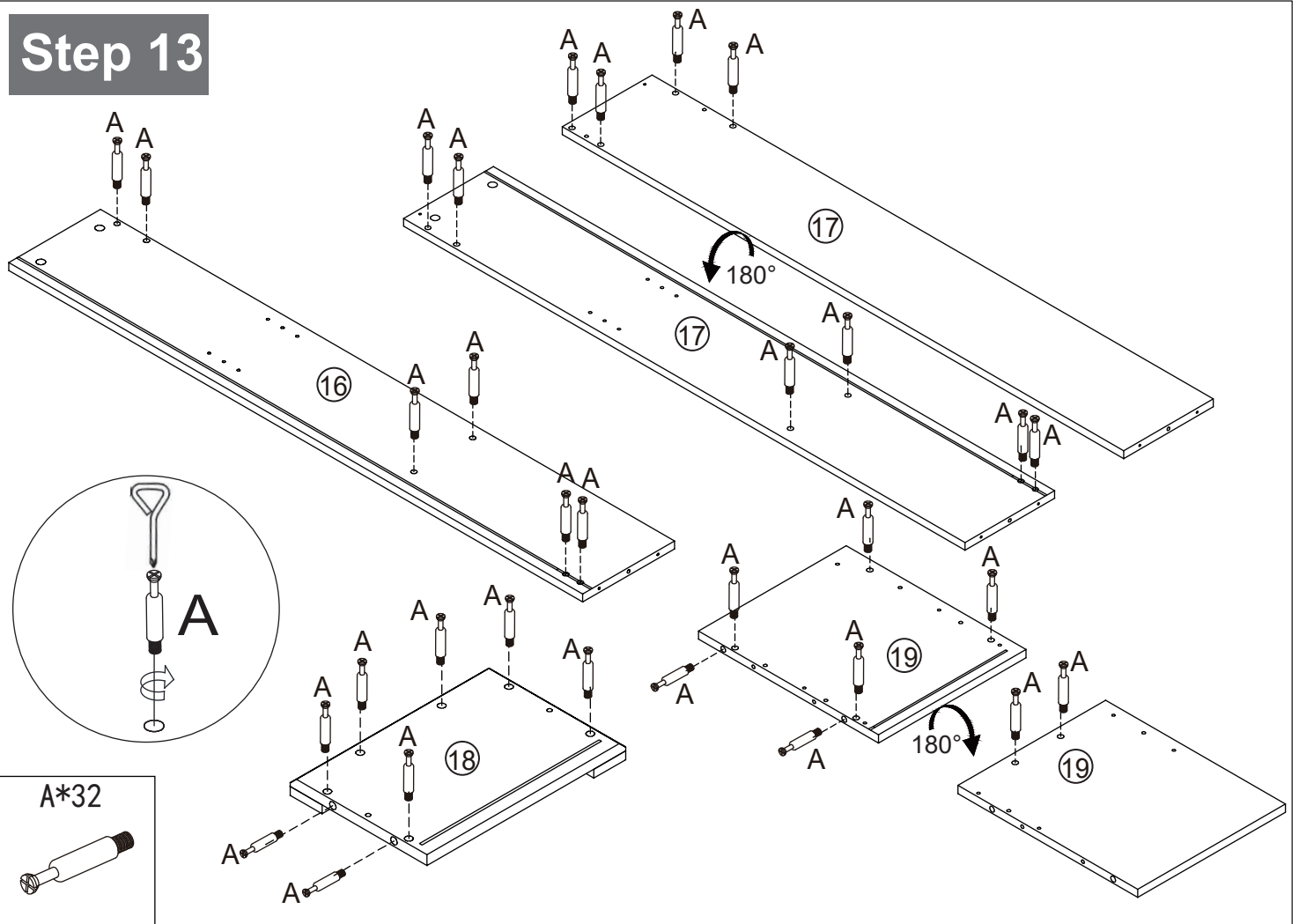
C*2



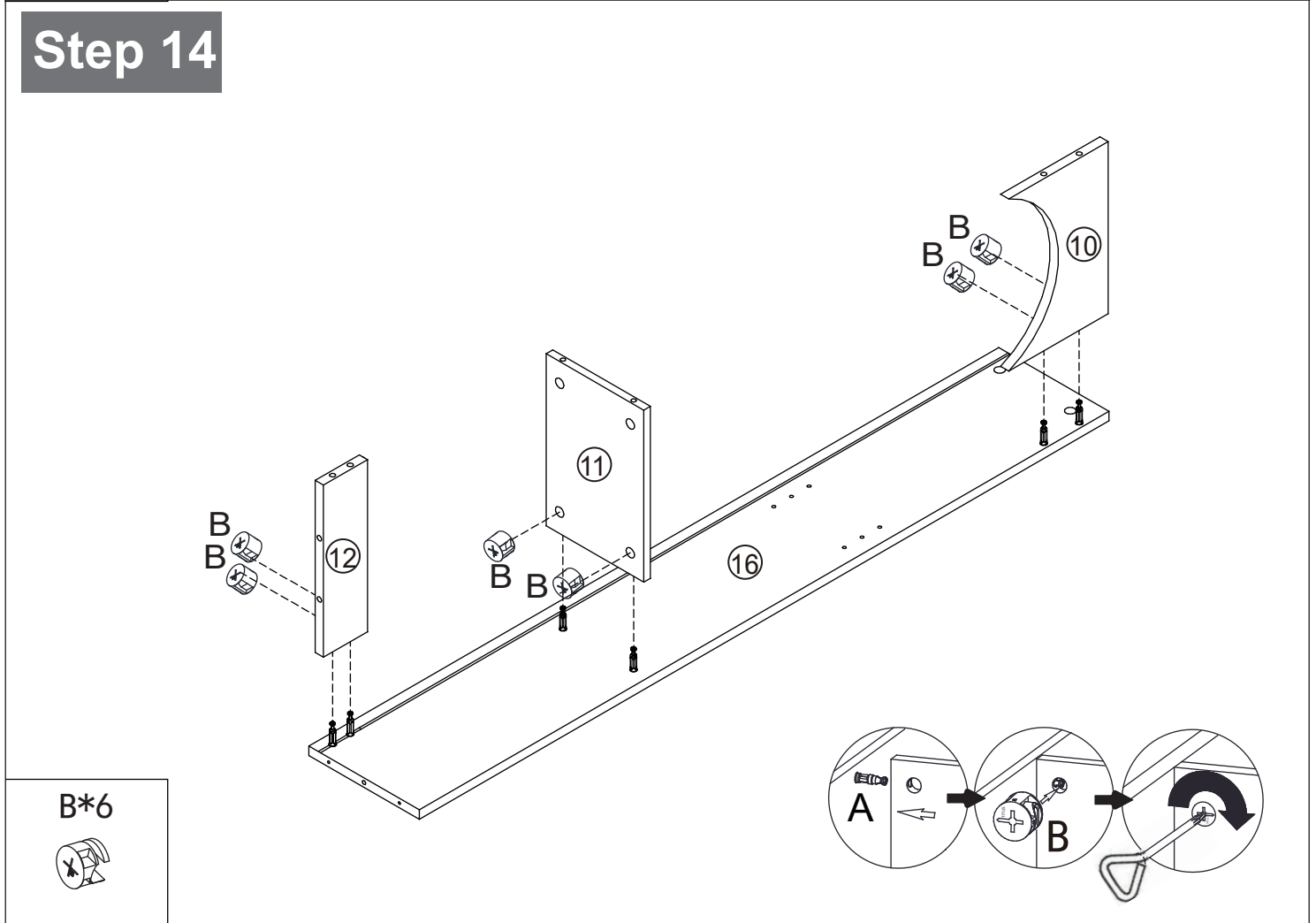
D*4



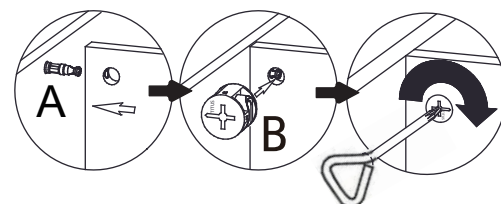
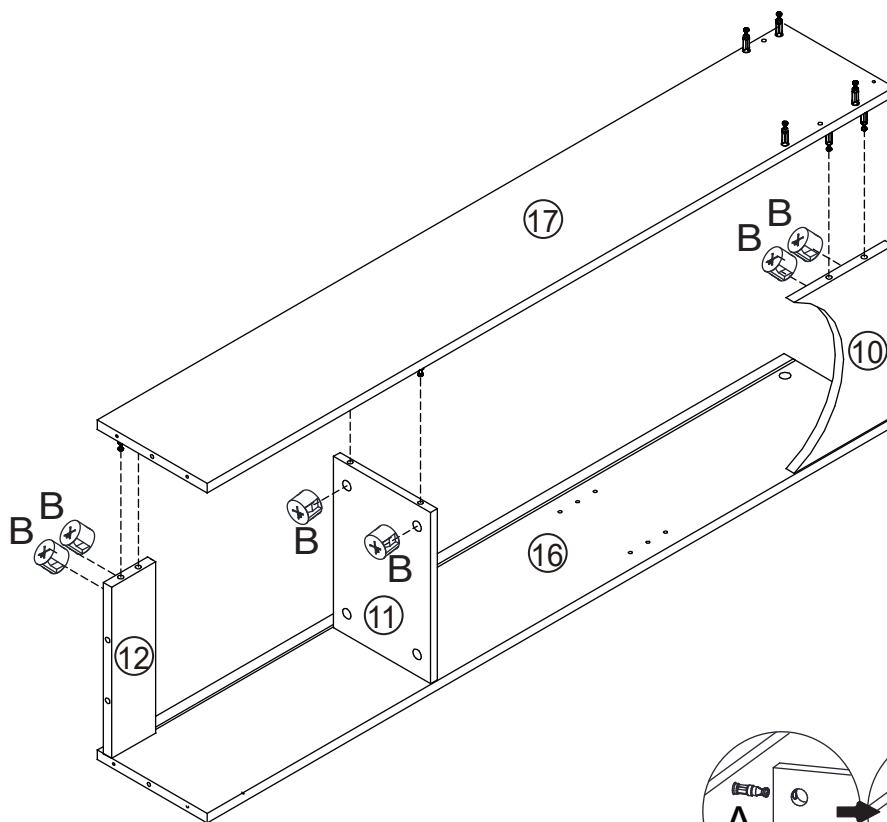
Step 13



Step 14



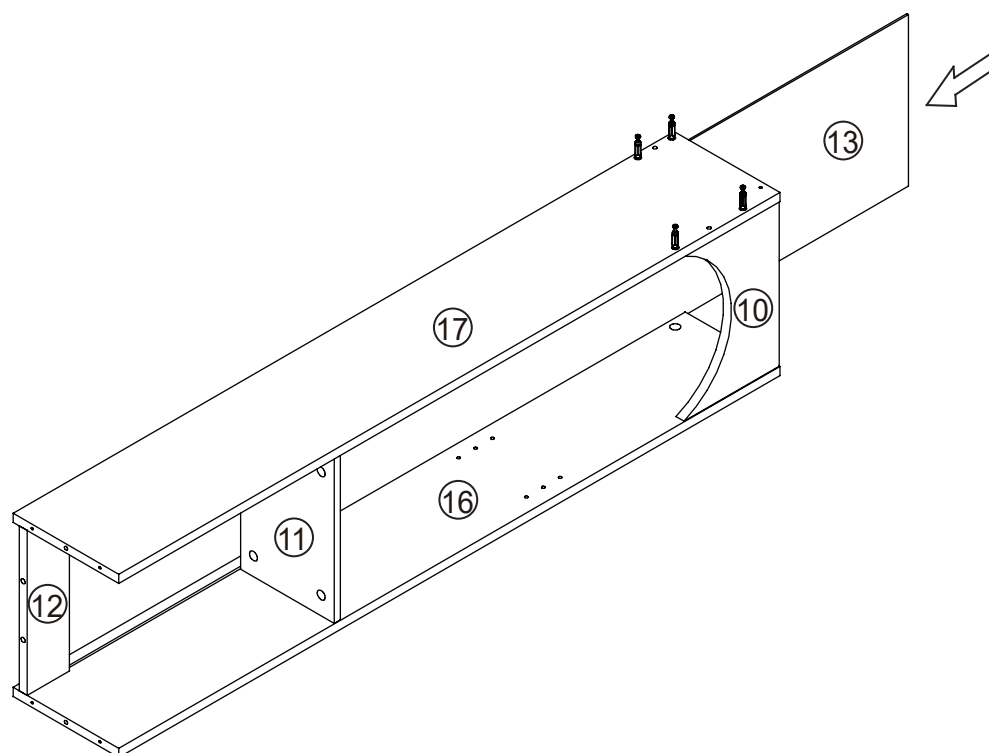
Step 15



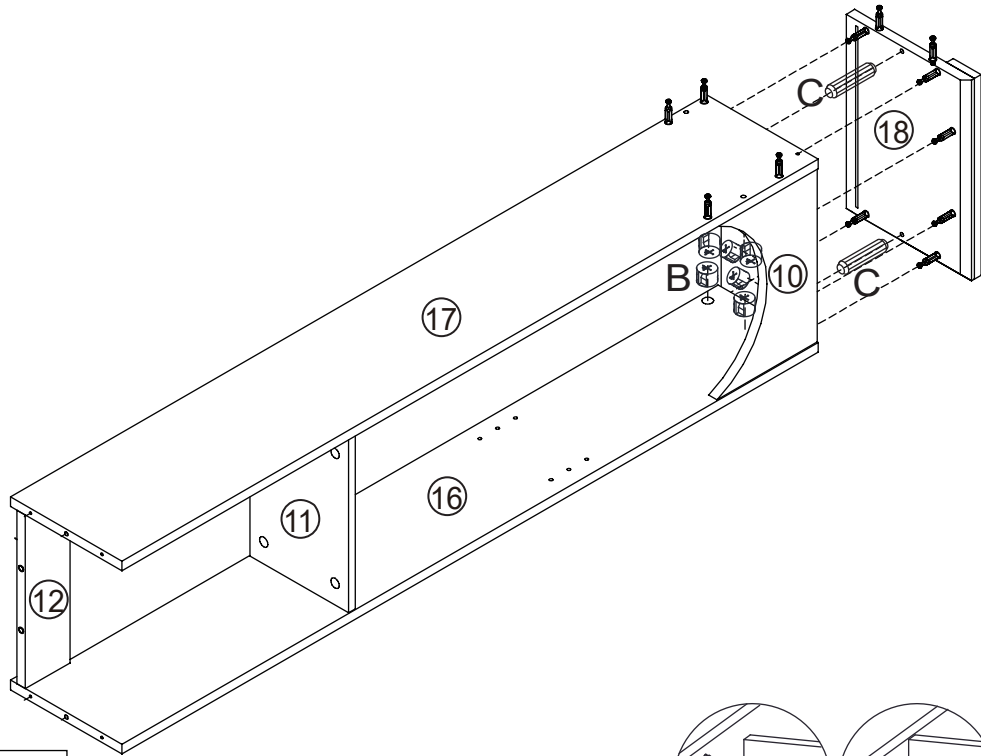
B*6



Step 16

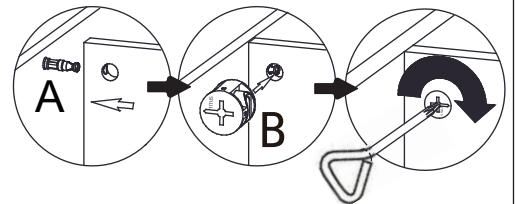
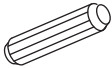


Step 17

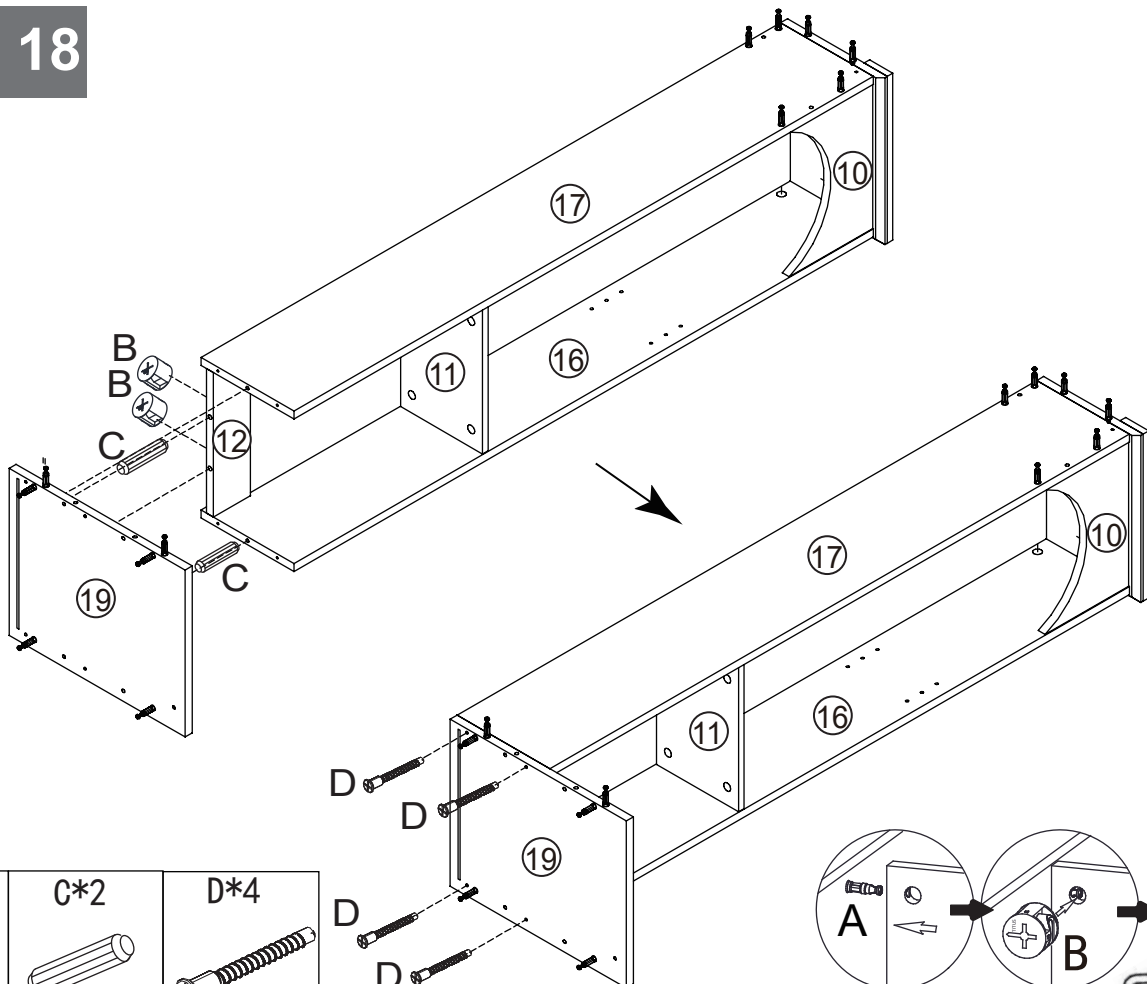


B*6

C*2



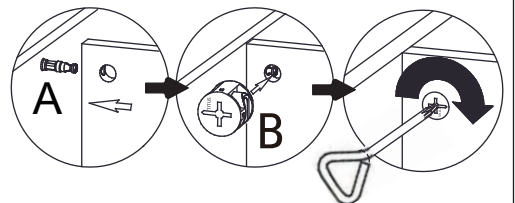
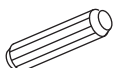
Step 18



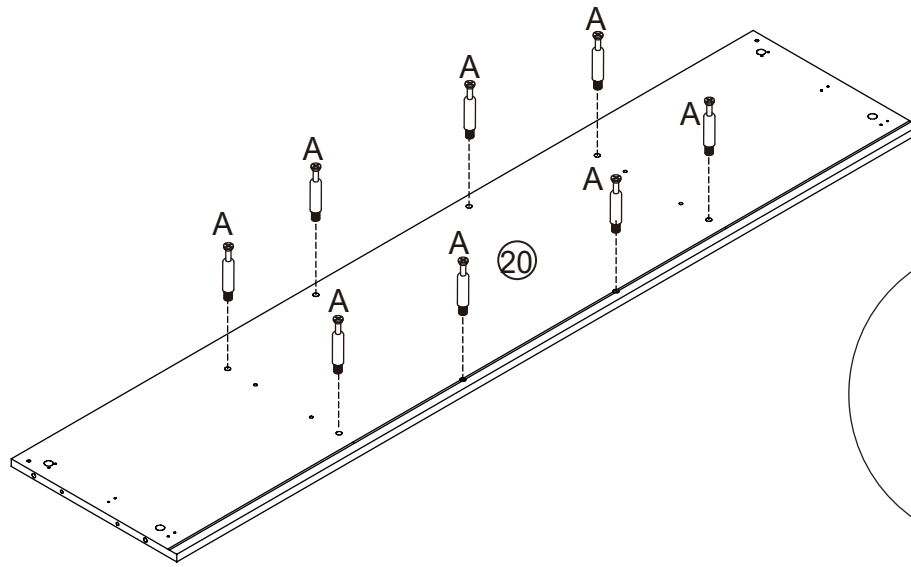
B*2

C*2

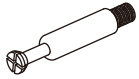
D*4



Step 19

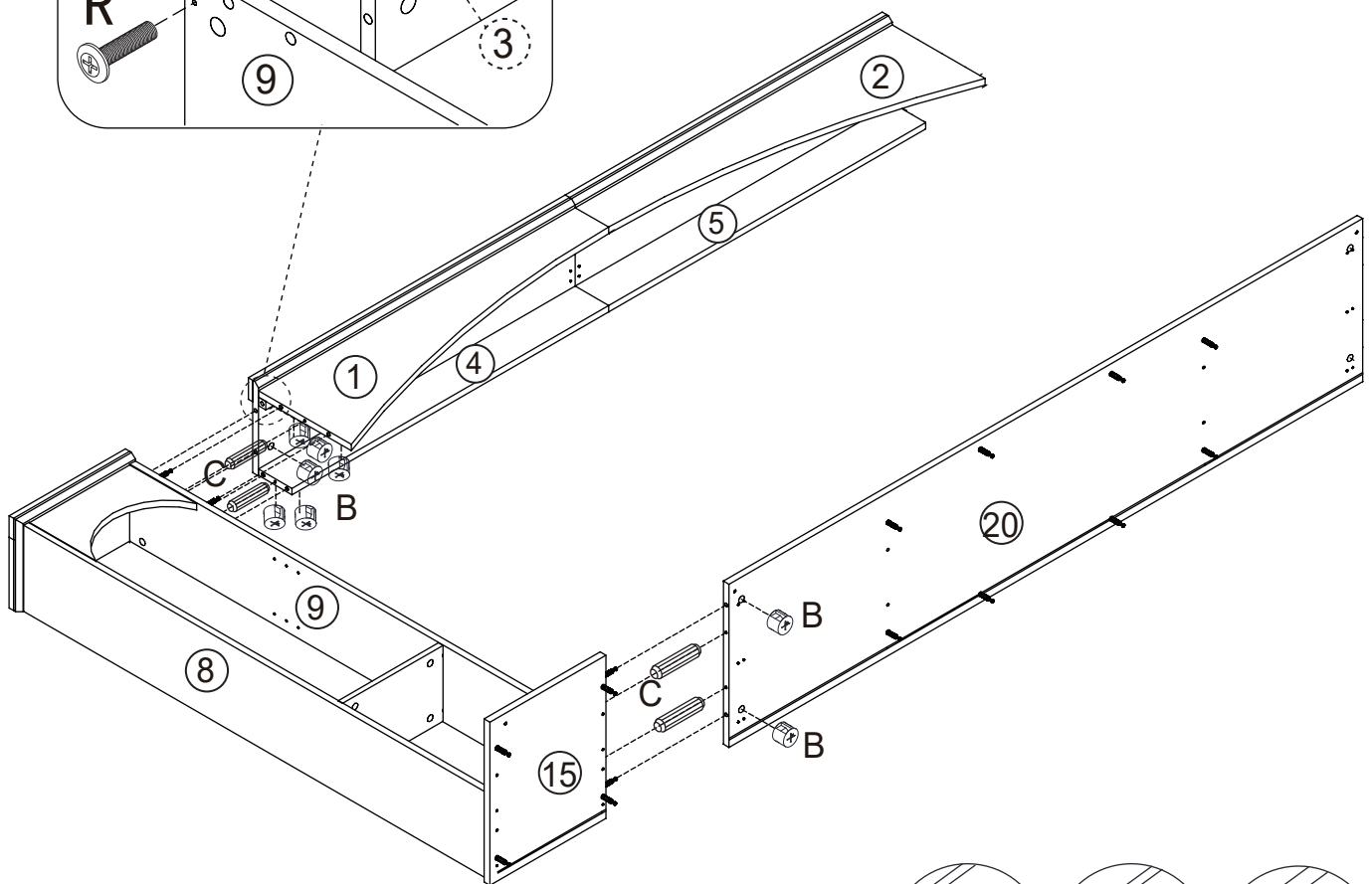
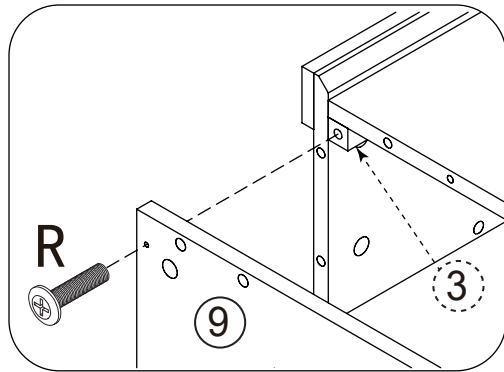


A*8



Step 20

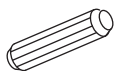
connecting iron sheet ("F") is located on the back of components ④ and ⑤, so assemble the furniture on empty cardboard boxes, carpets, or small mats to prevent floor scratches or damage.



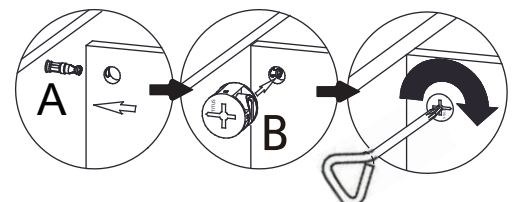
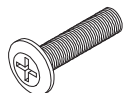
B*8



C*4

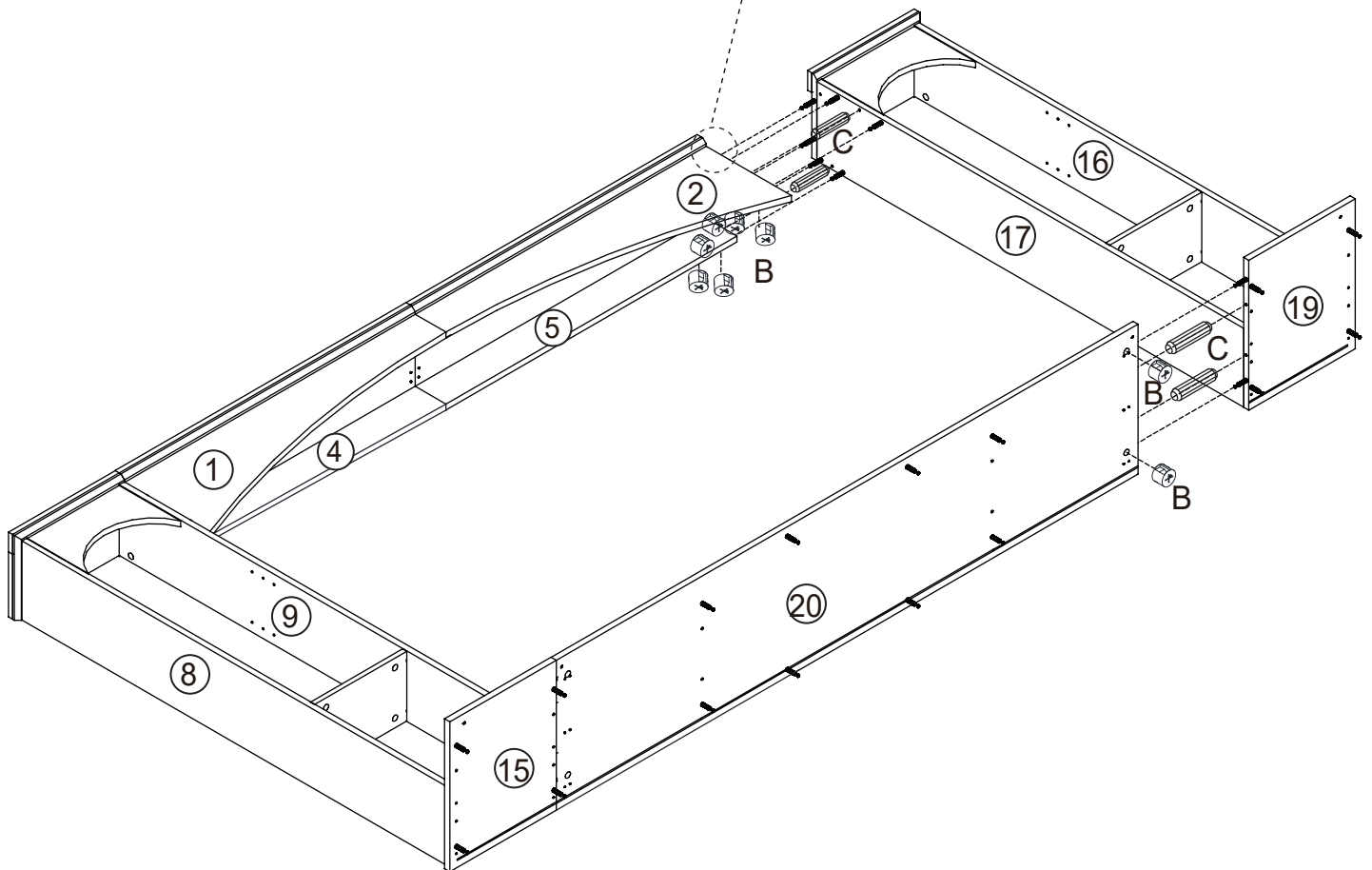
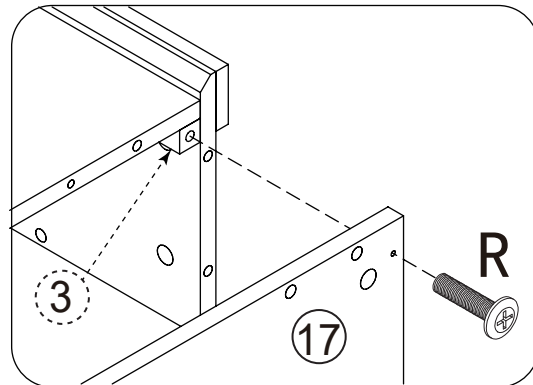


R*1



Step 21

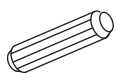
connecting iron sheet ("F") is located on the back of components ④ and ⑤, so assemble the furniture on empty cardboard boxes, carpets, or small mats to prevent floor scratches or damage.



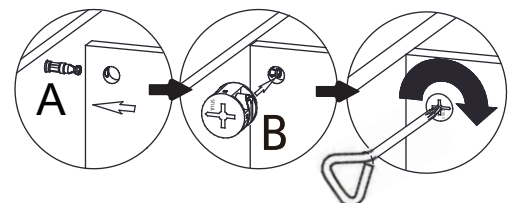
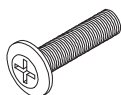
B*8



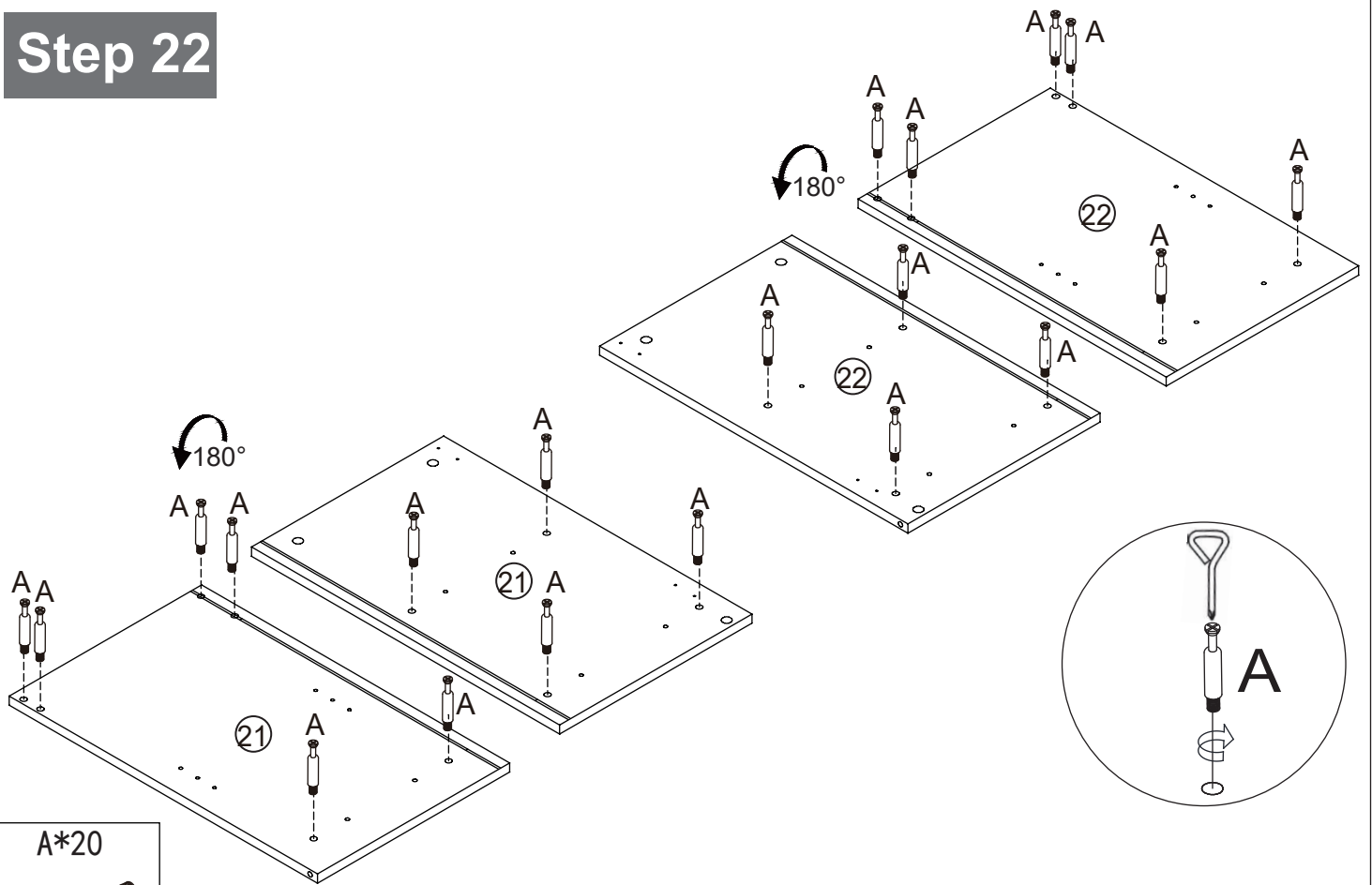
C*4



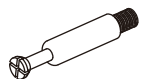
R*1



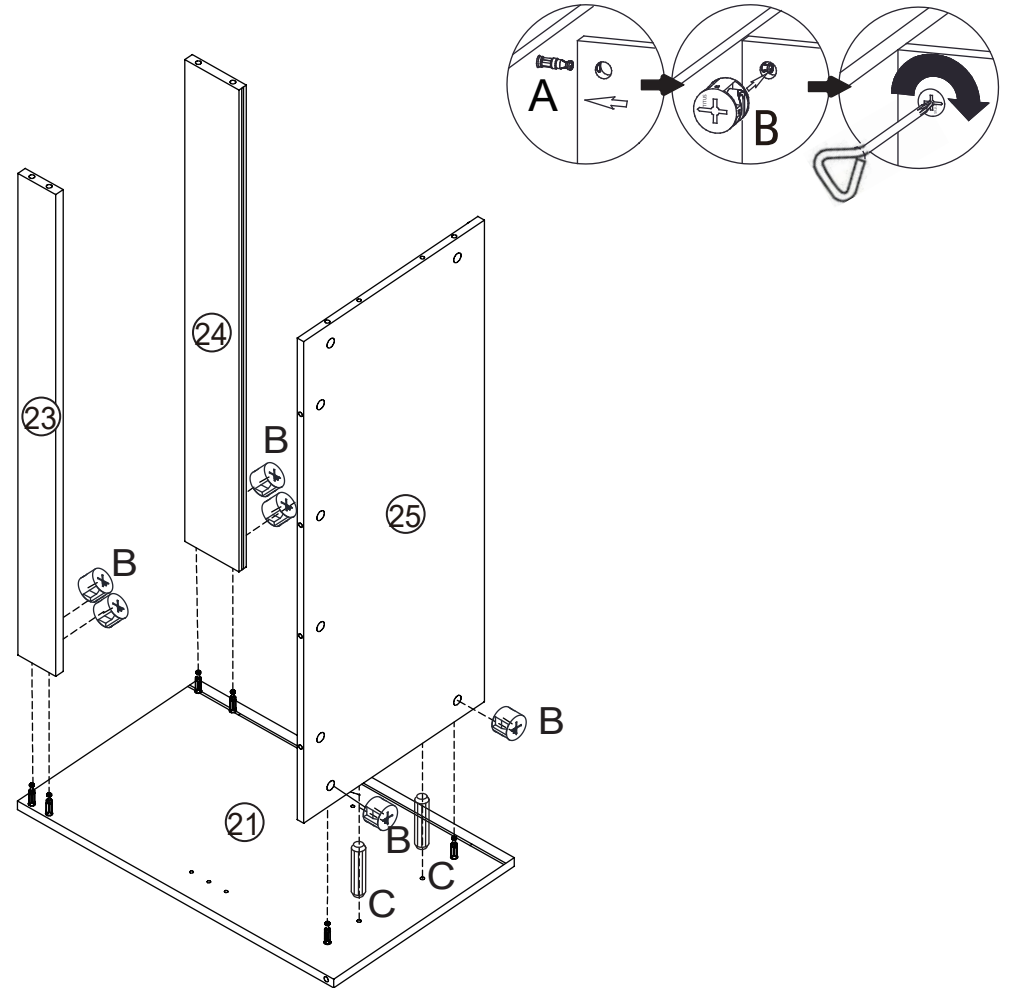
Step 22



A*20



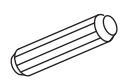
Step 23



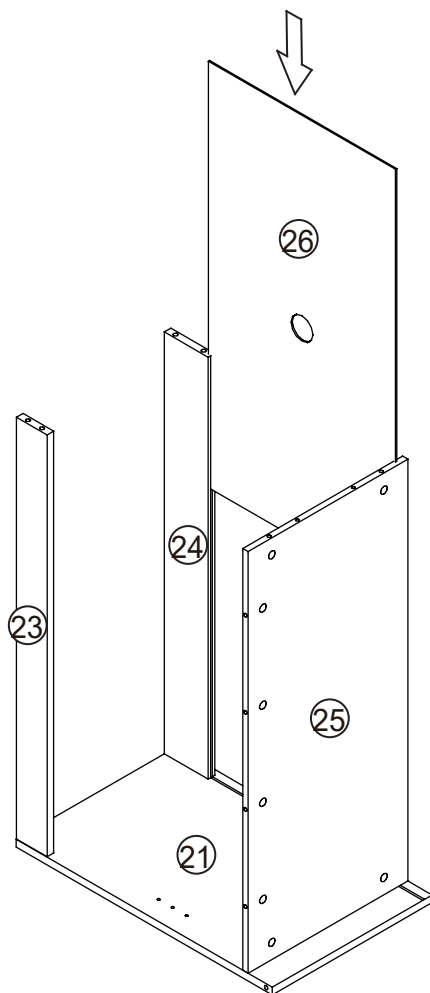
B*6



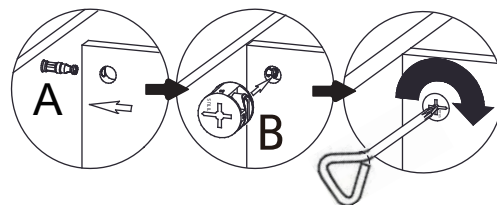
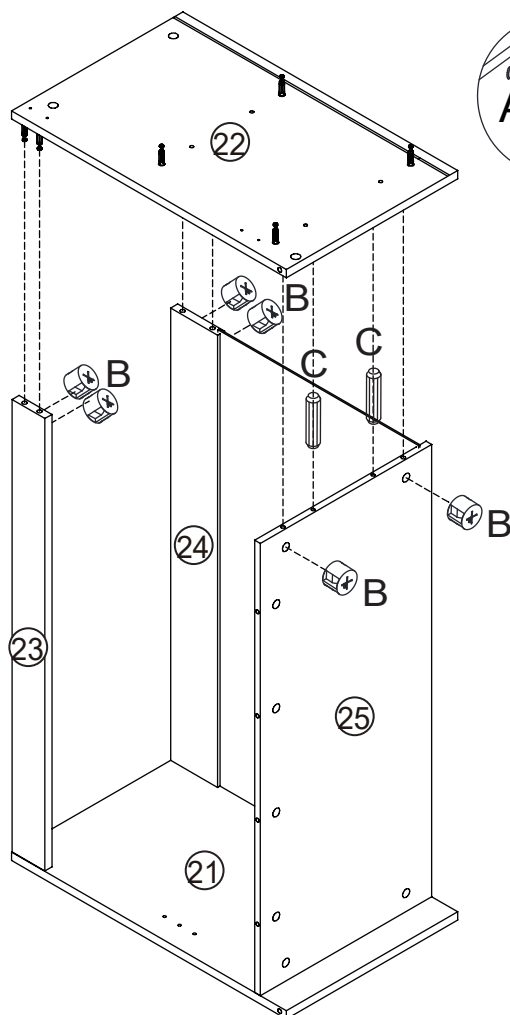
C*2



Step 24

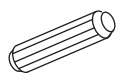


Step 25



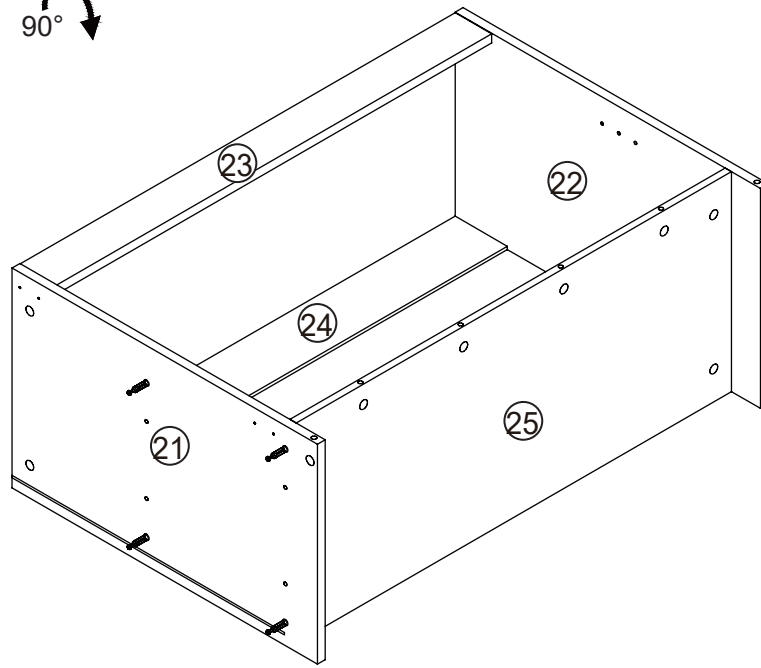
B*6

C*2

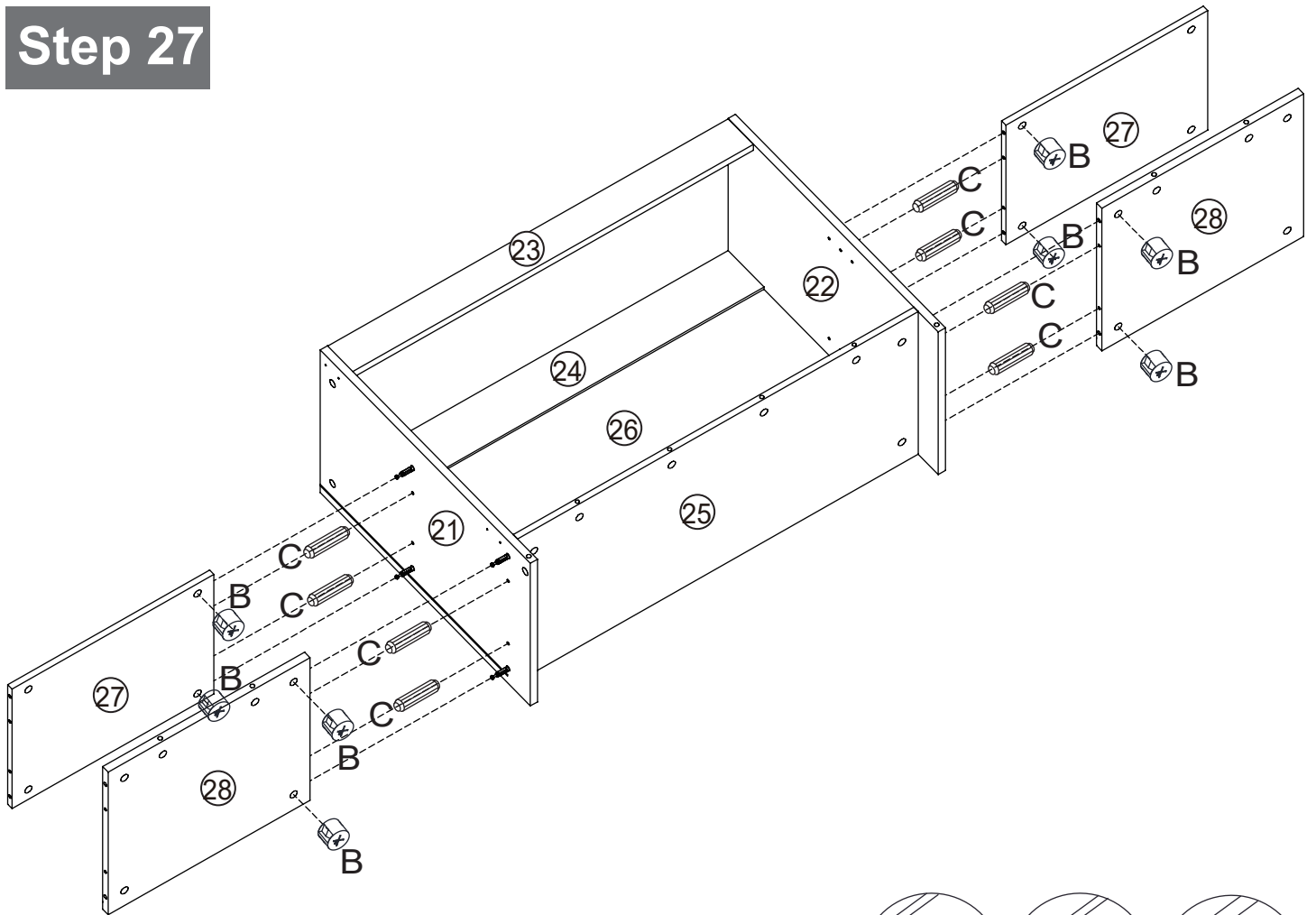


Step 26

It's better if two people work together on this step.
Please flip carefully!



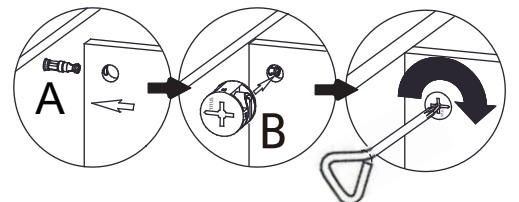
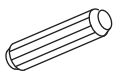
Step 27



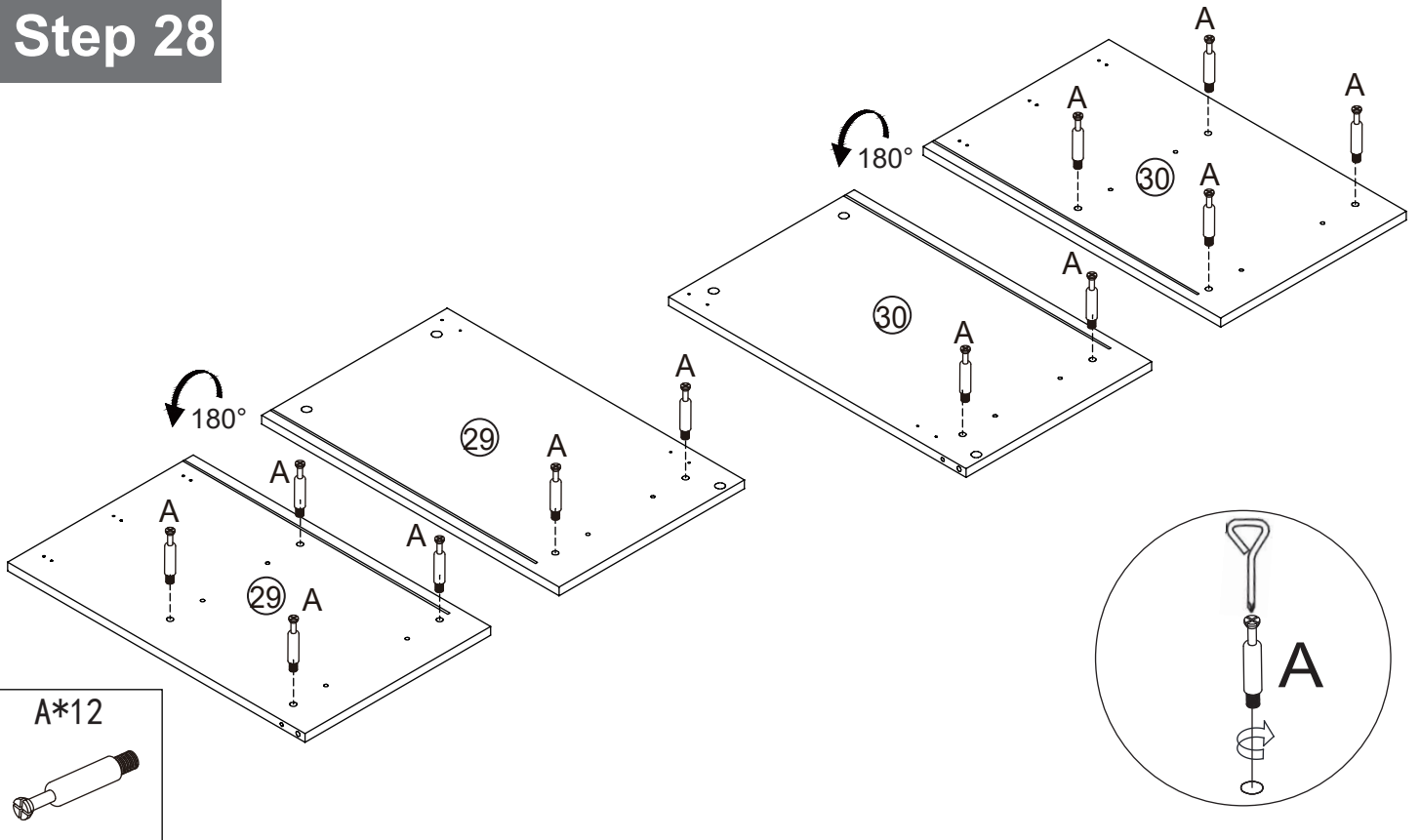
B*8



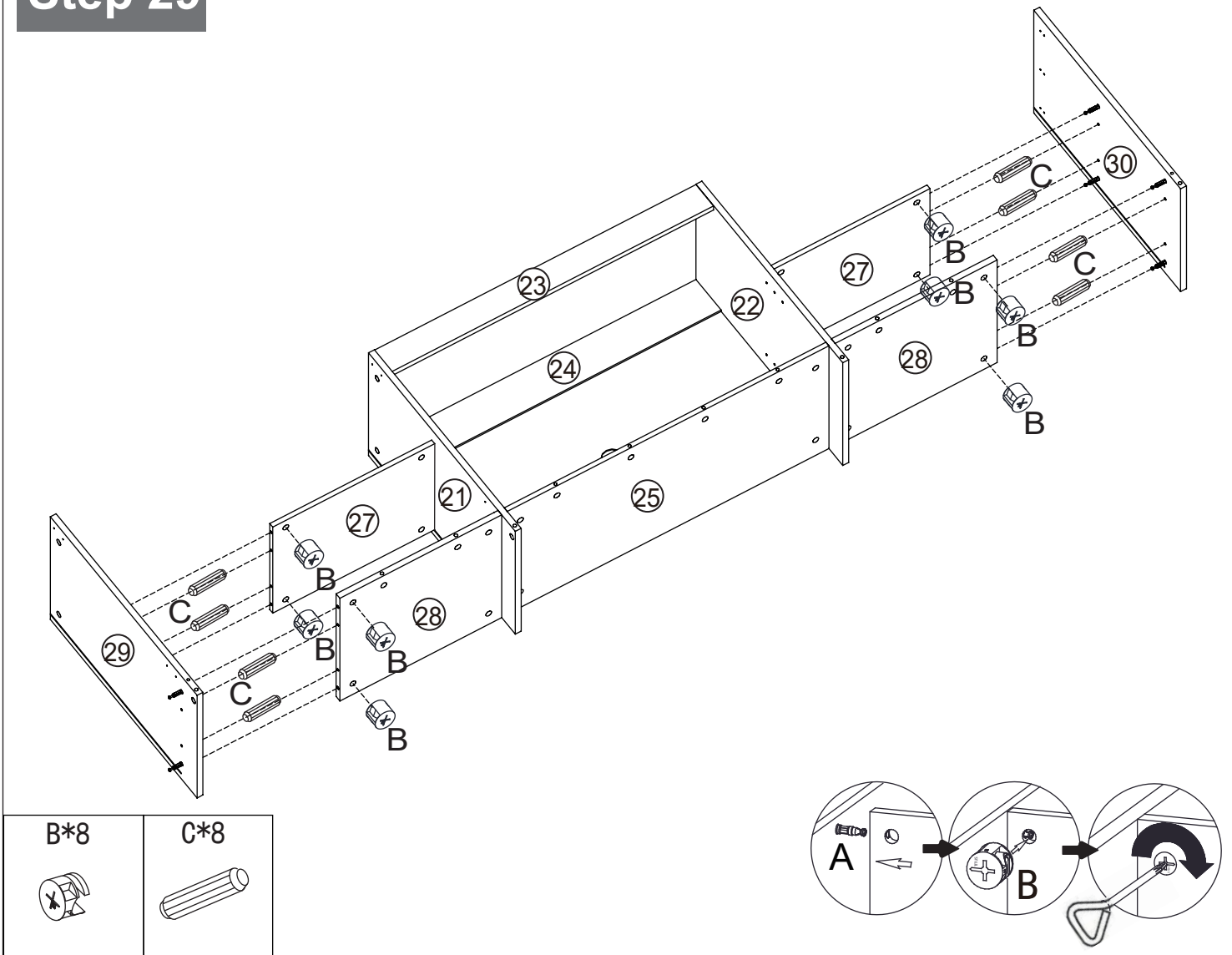
C*8



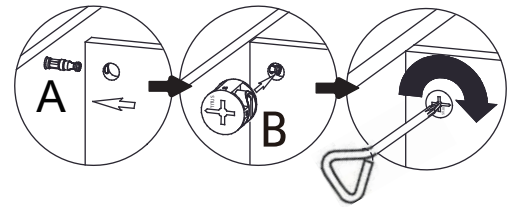
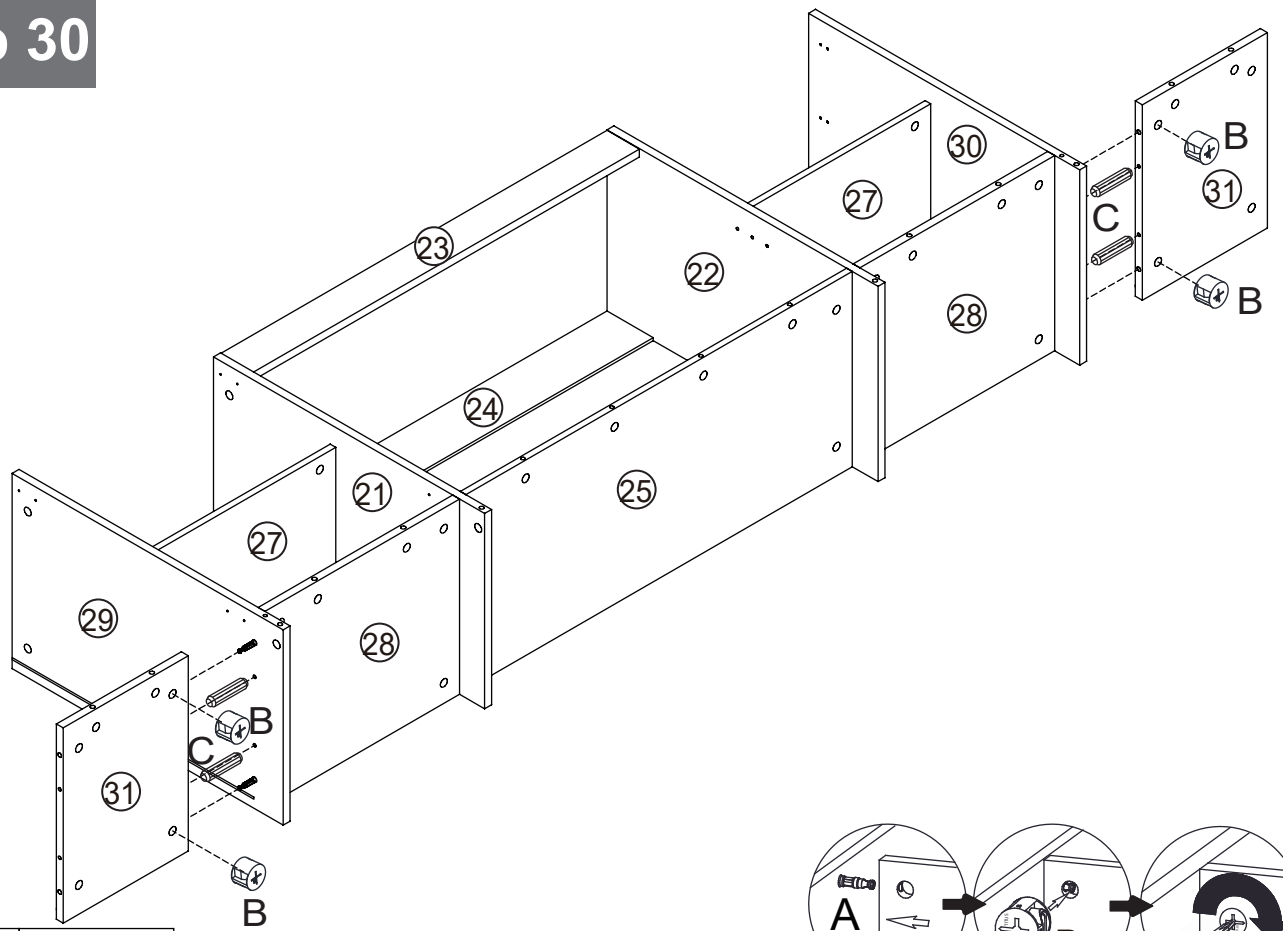
Step 28



Step 29



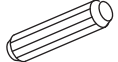
Step 30



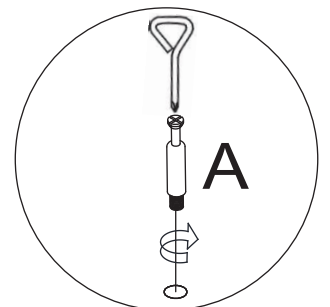
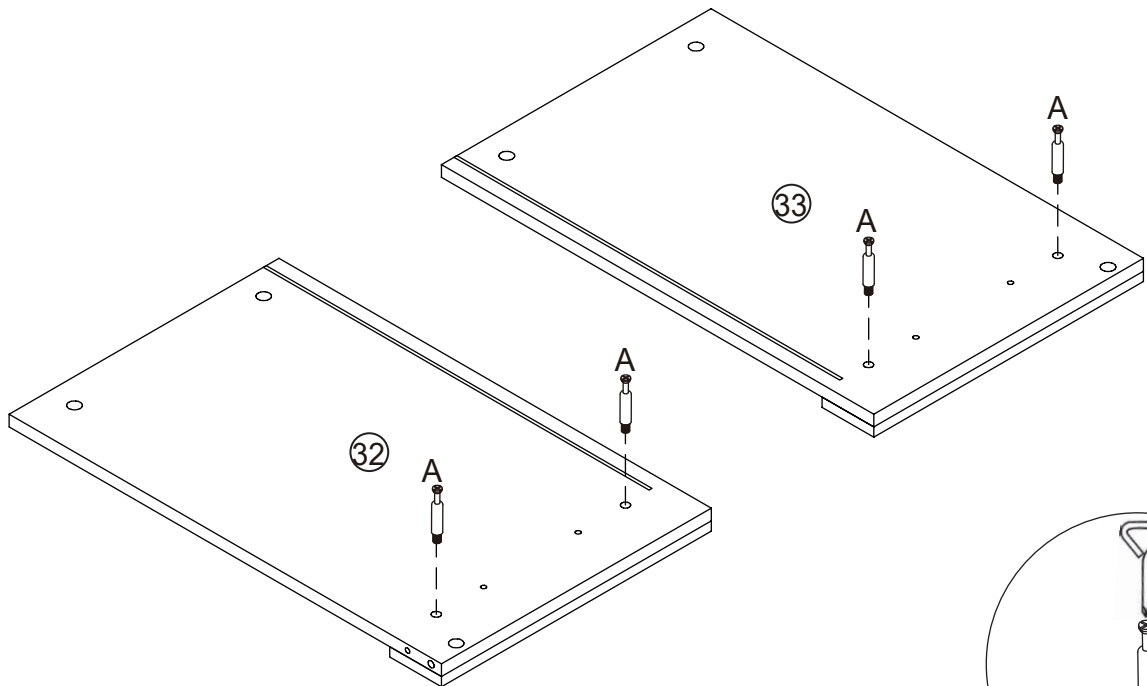
B*4



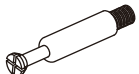
C*4



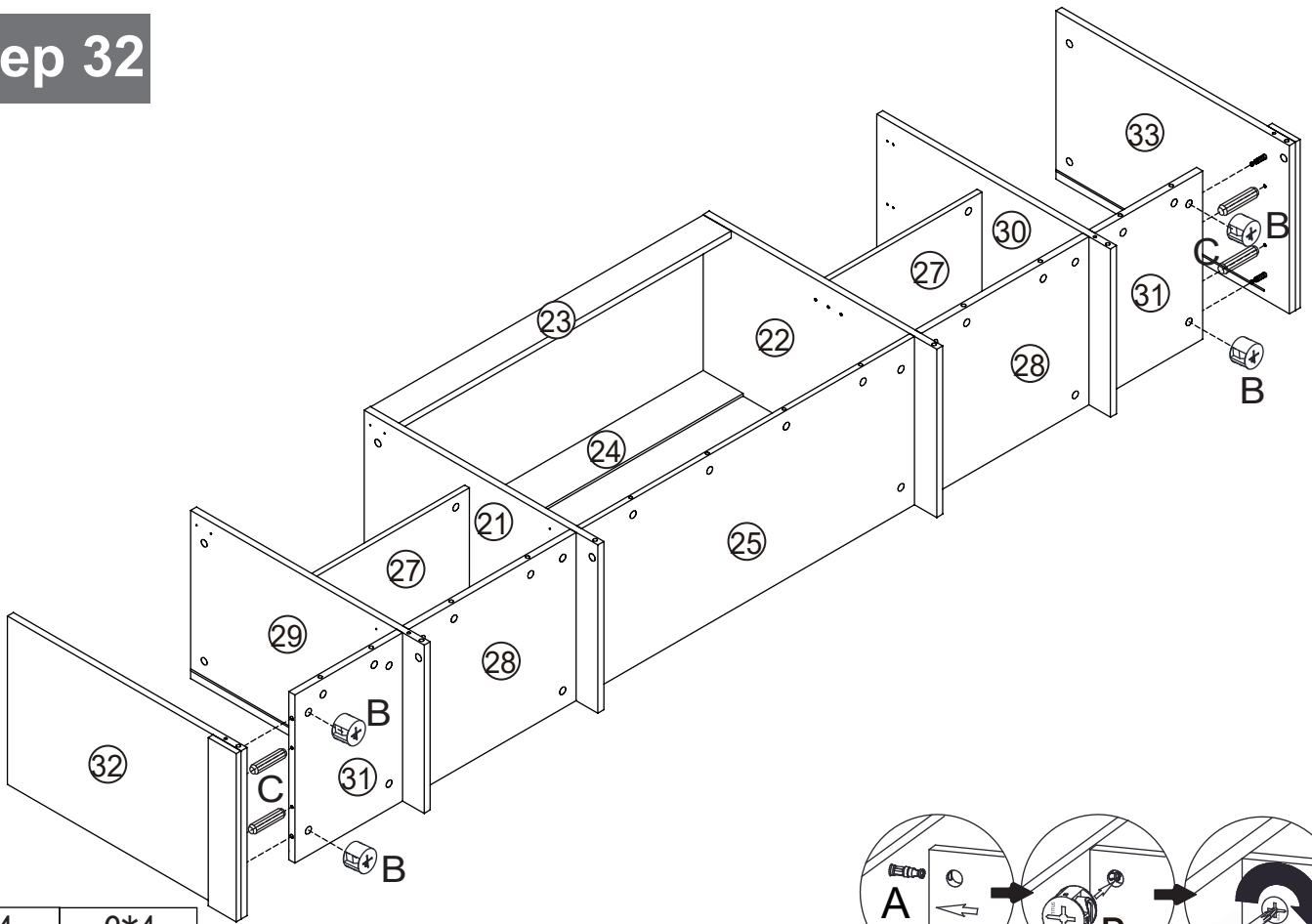
Step 31



A*4



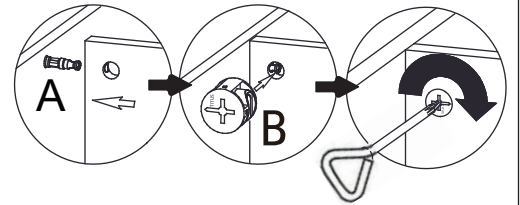
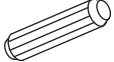
Step 32



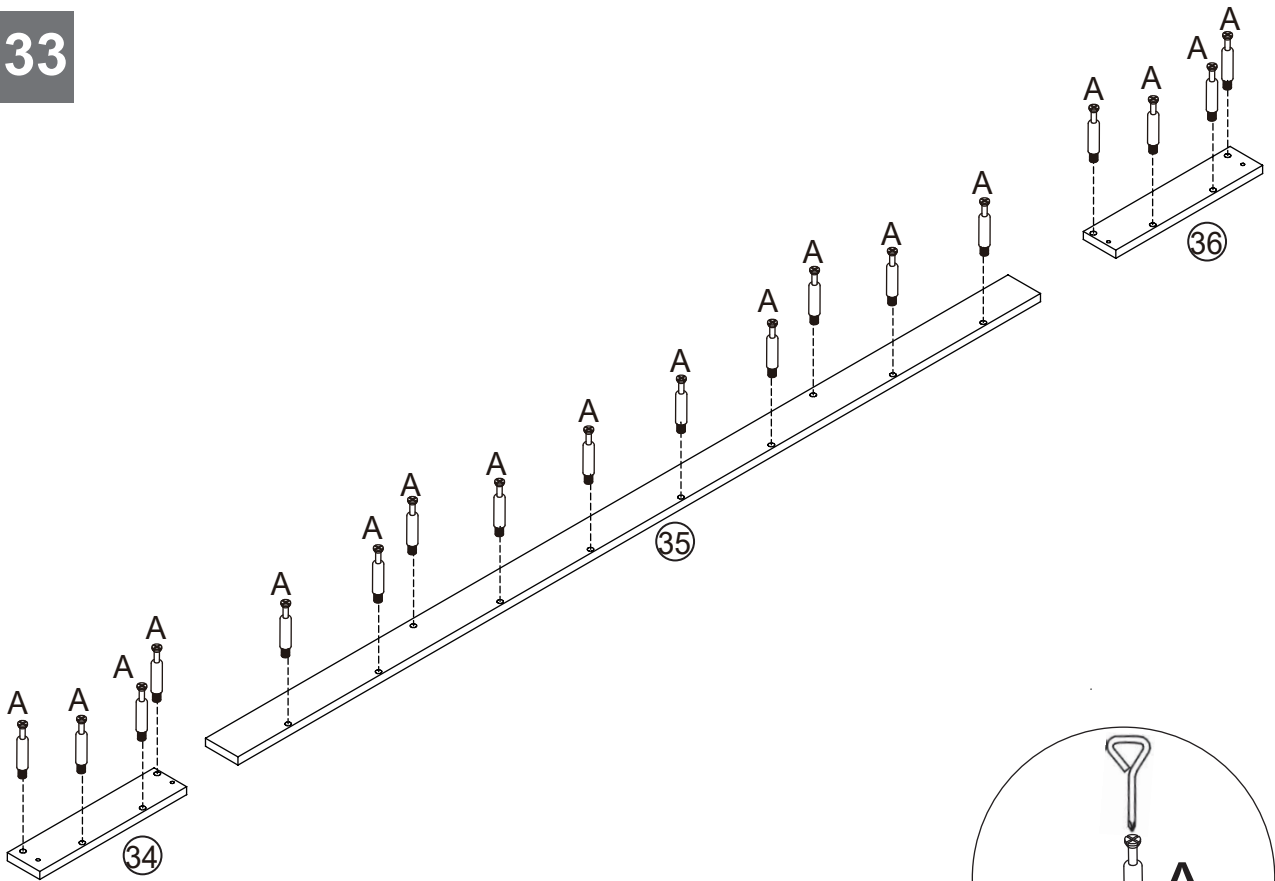
B*4



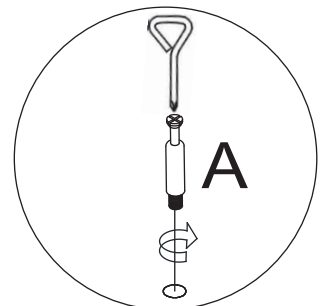
C*4



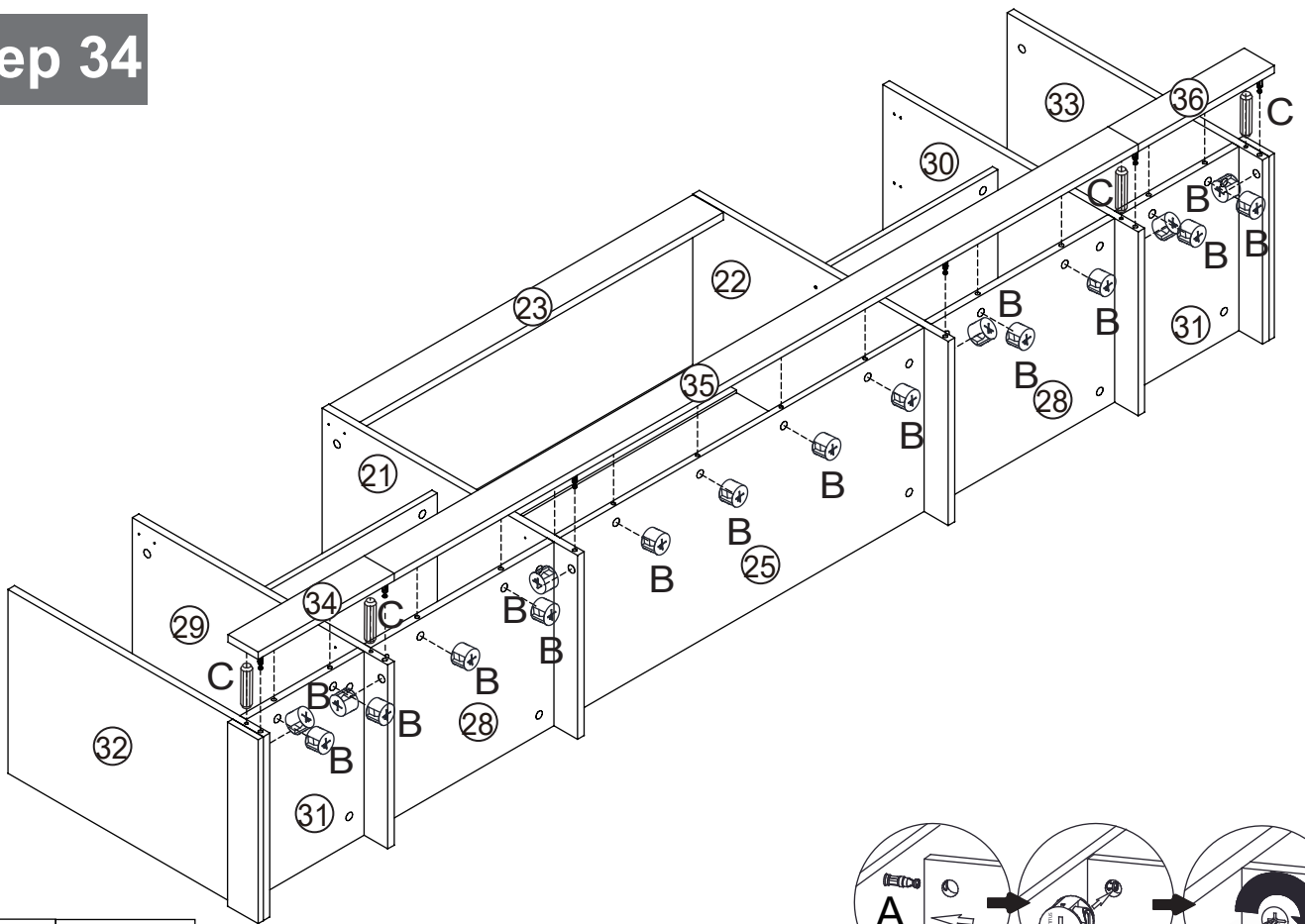
Step 33



A*18



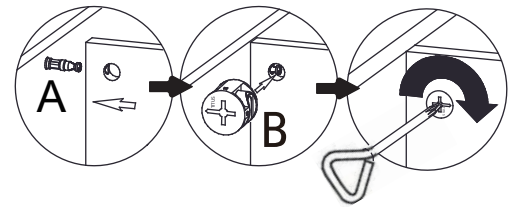
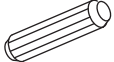
Step 34



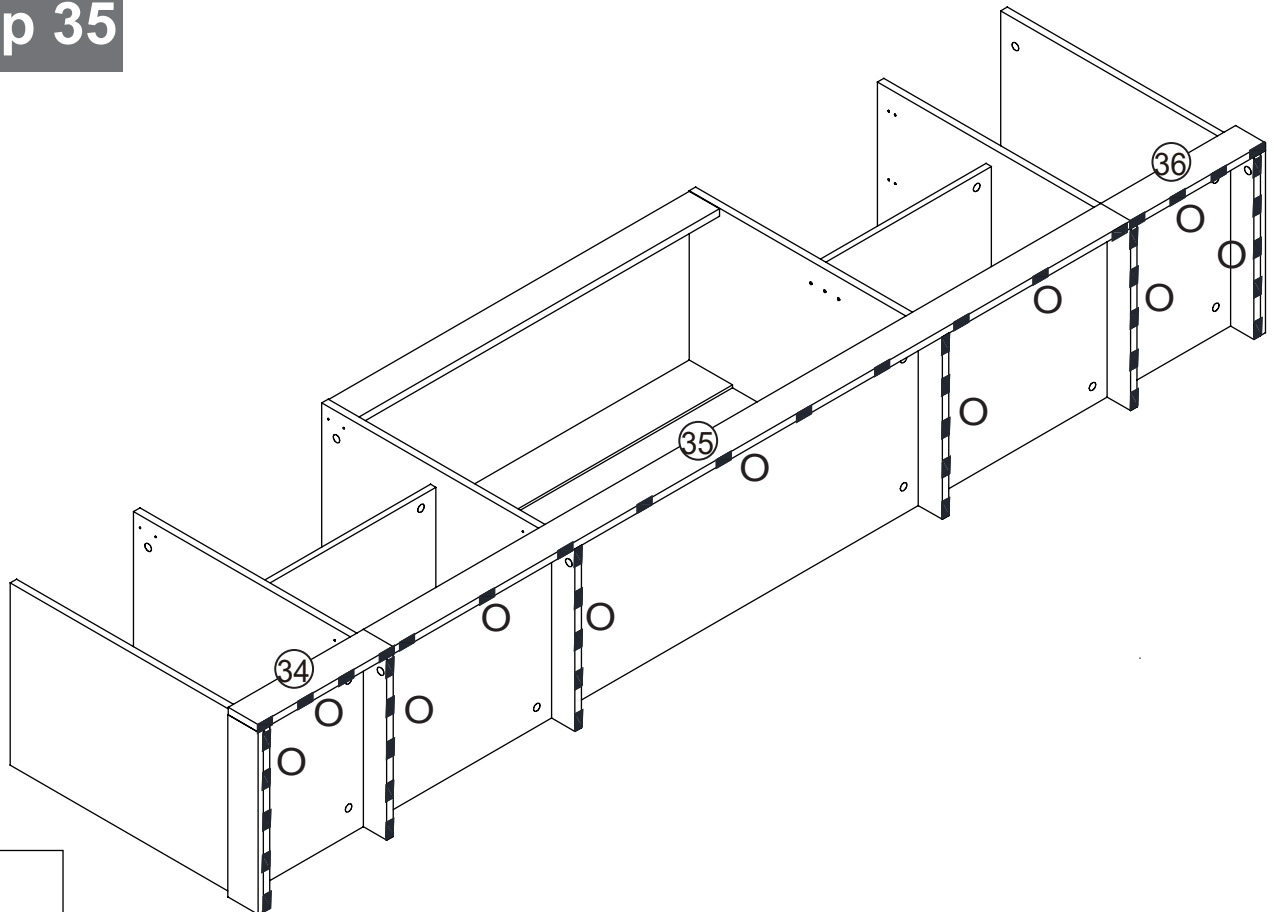
B*18



C*4



Step 35

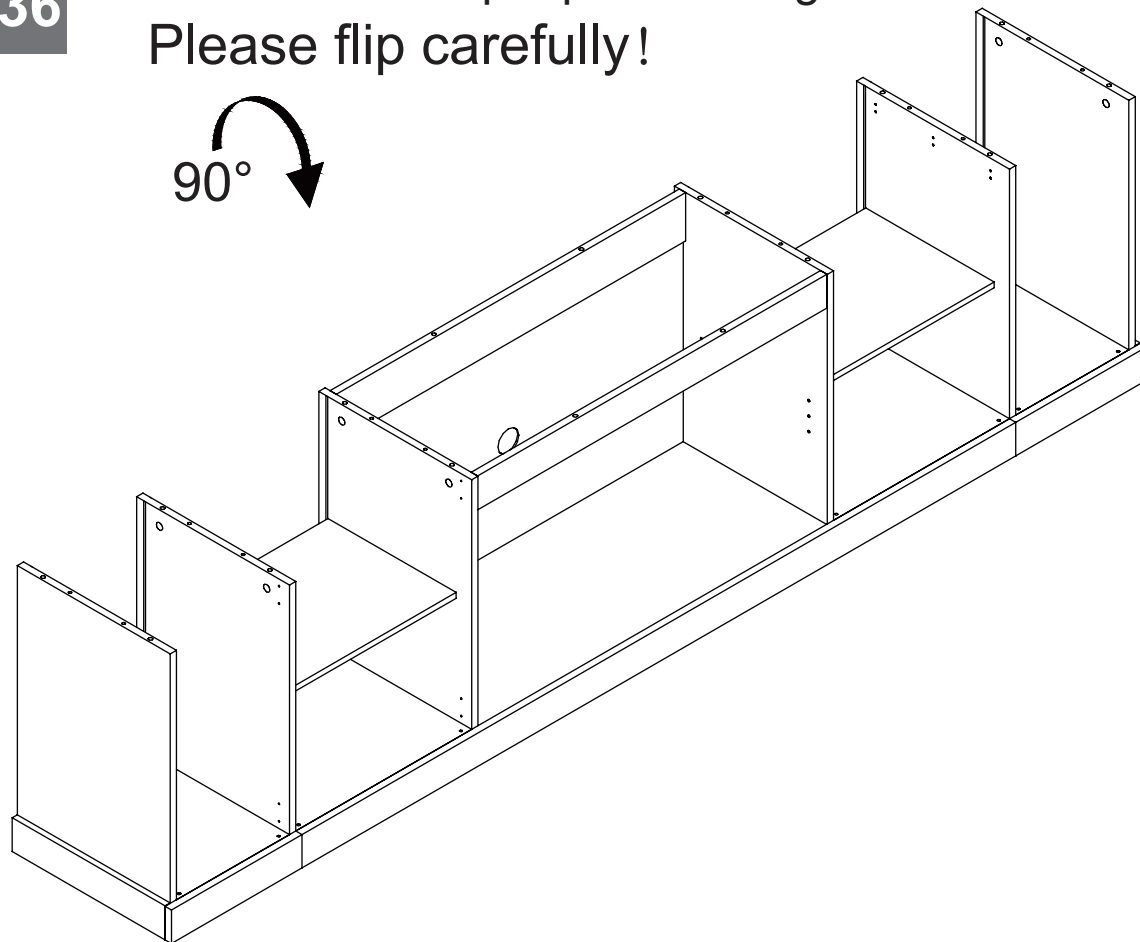


0*48

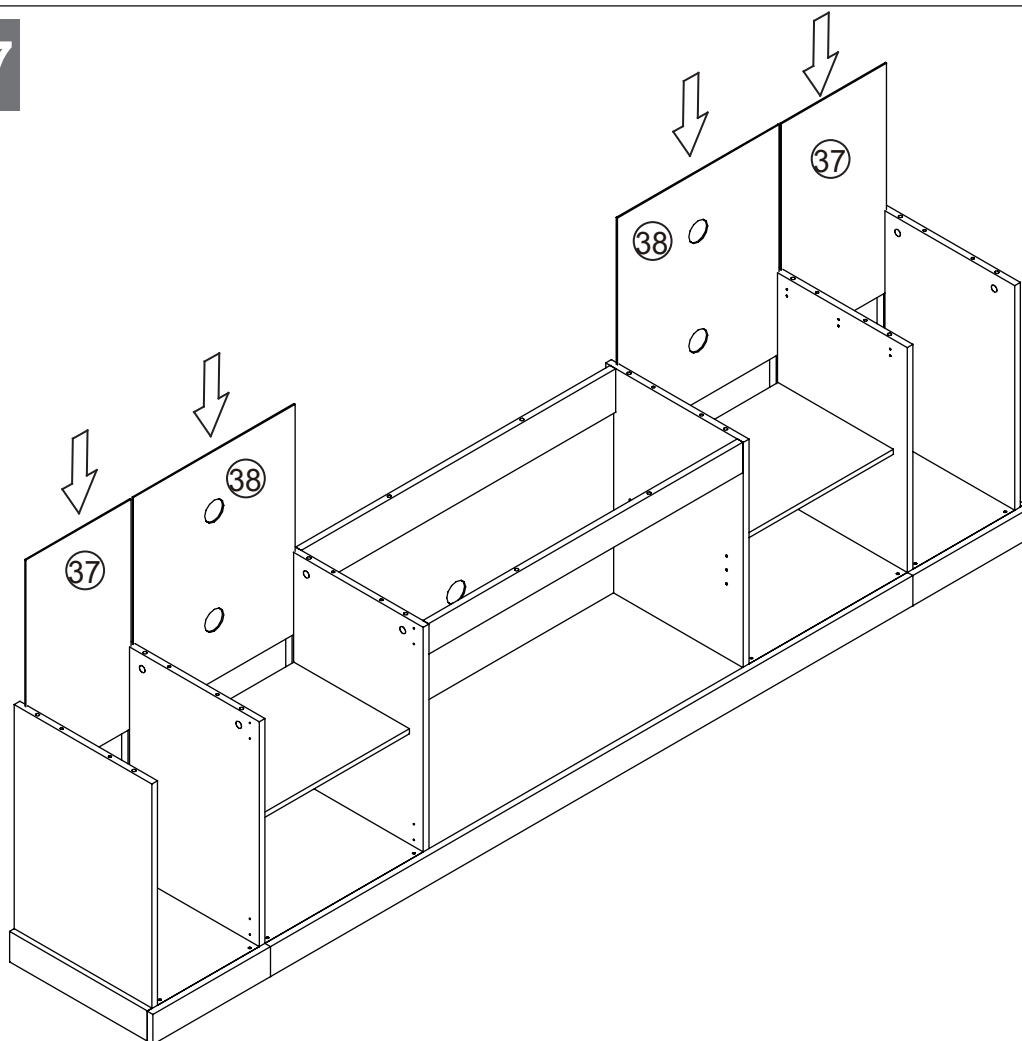


Step 36

It's better if two people work together on this step.
Please flip carefully!

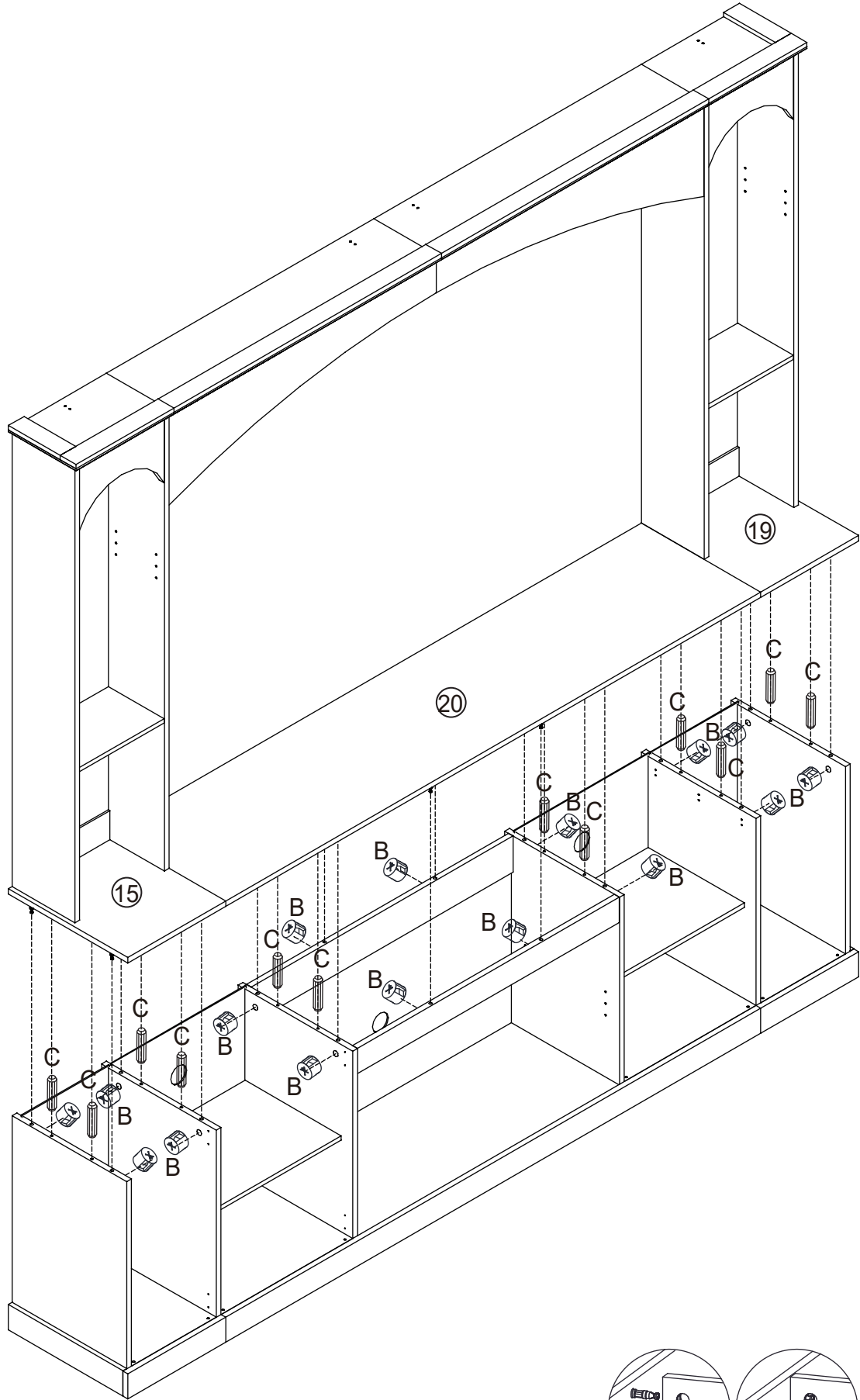


Step 37



Step 38

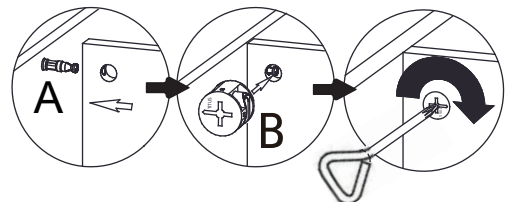
It's better if two people work together on this step.



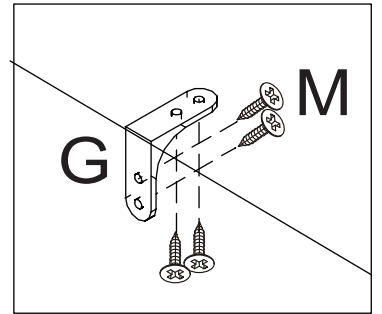
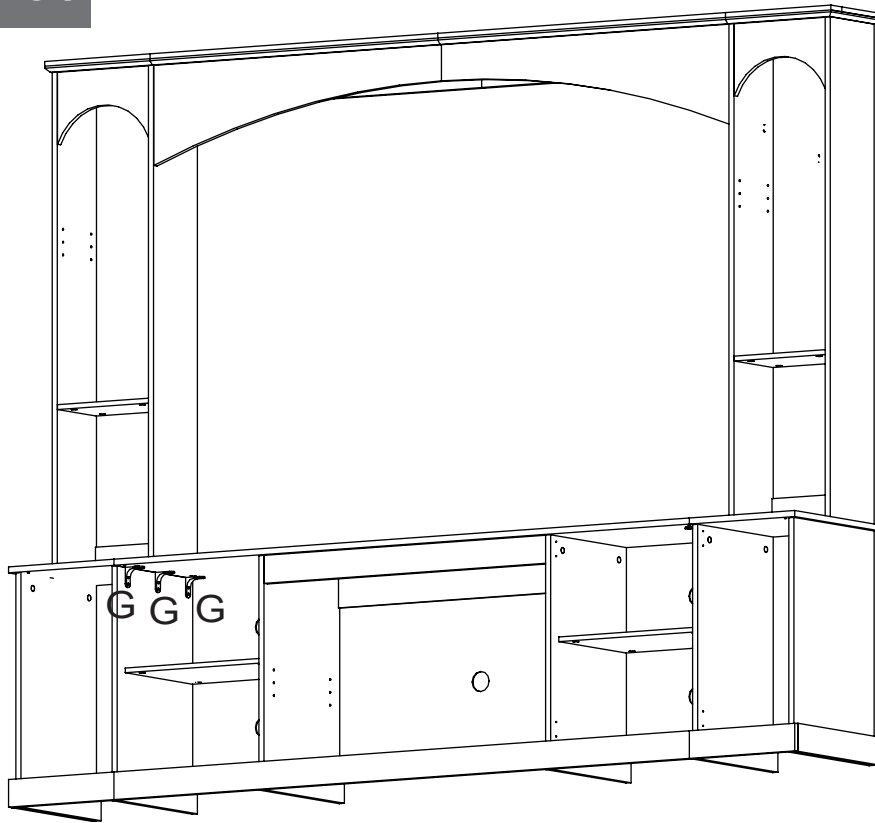
B*16



C*12

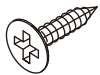


Step 39

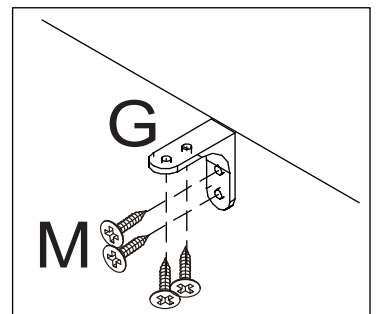
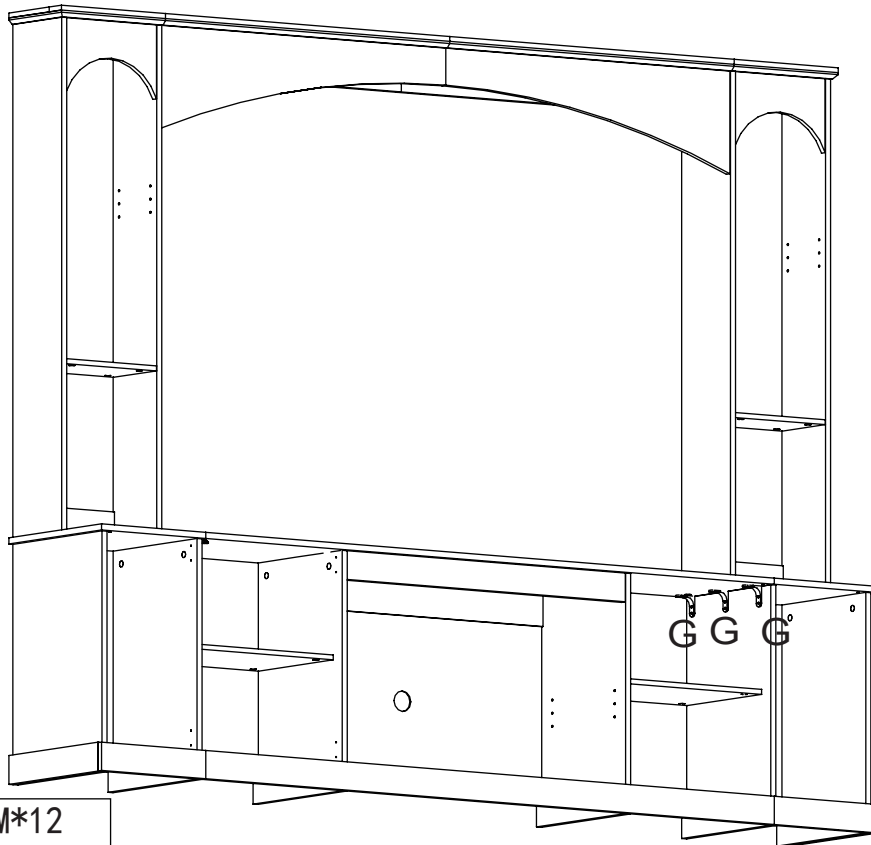


G*3

M*12

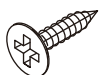


Step 40

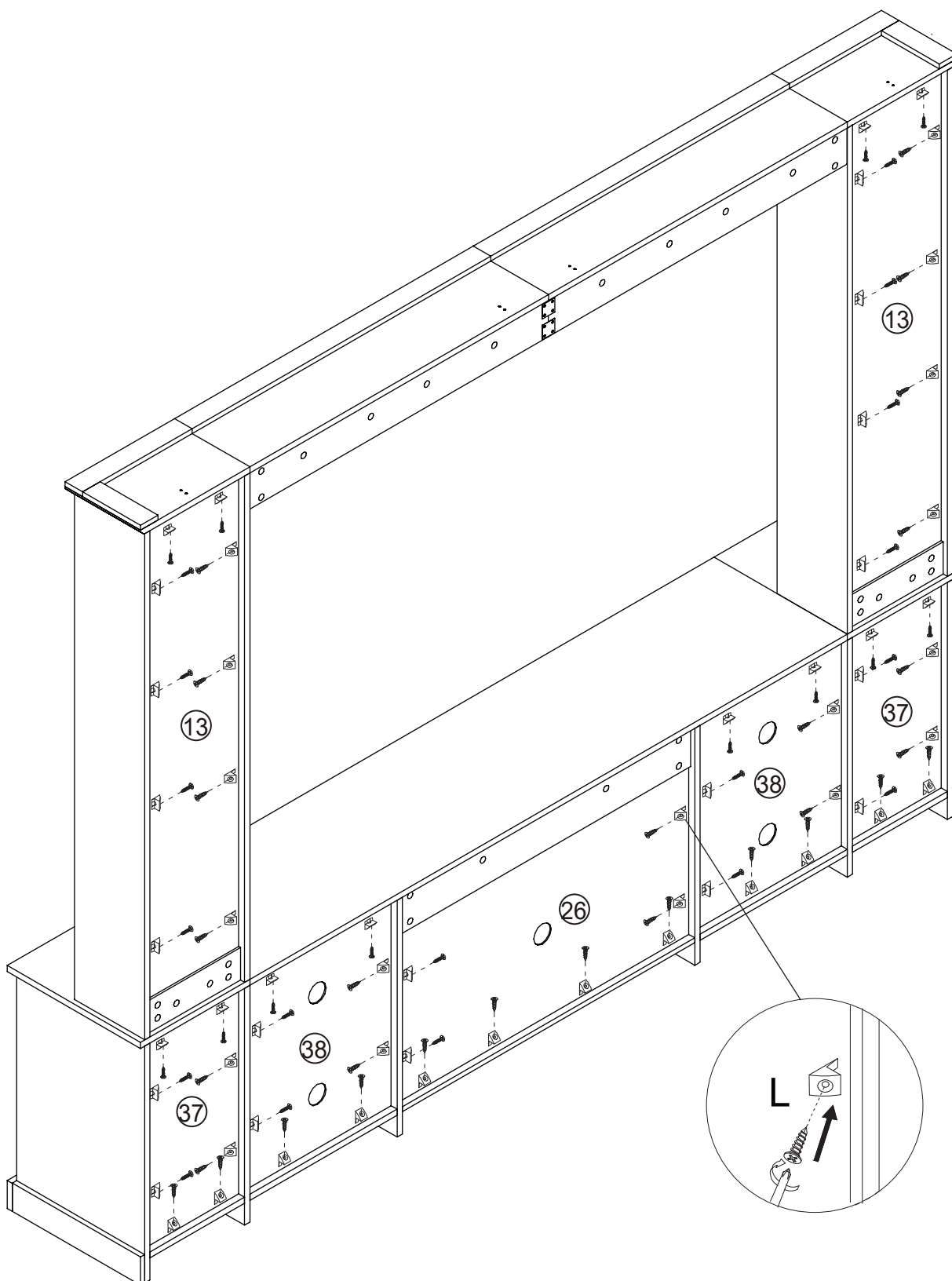


G*3

M*12



Step 41

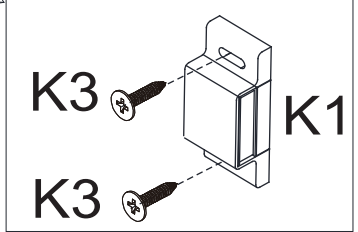
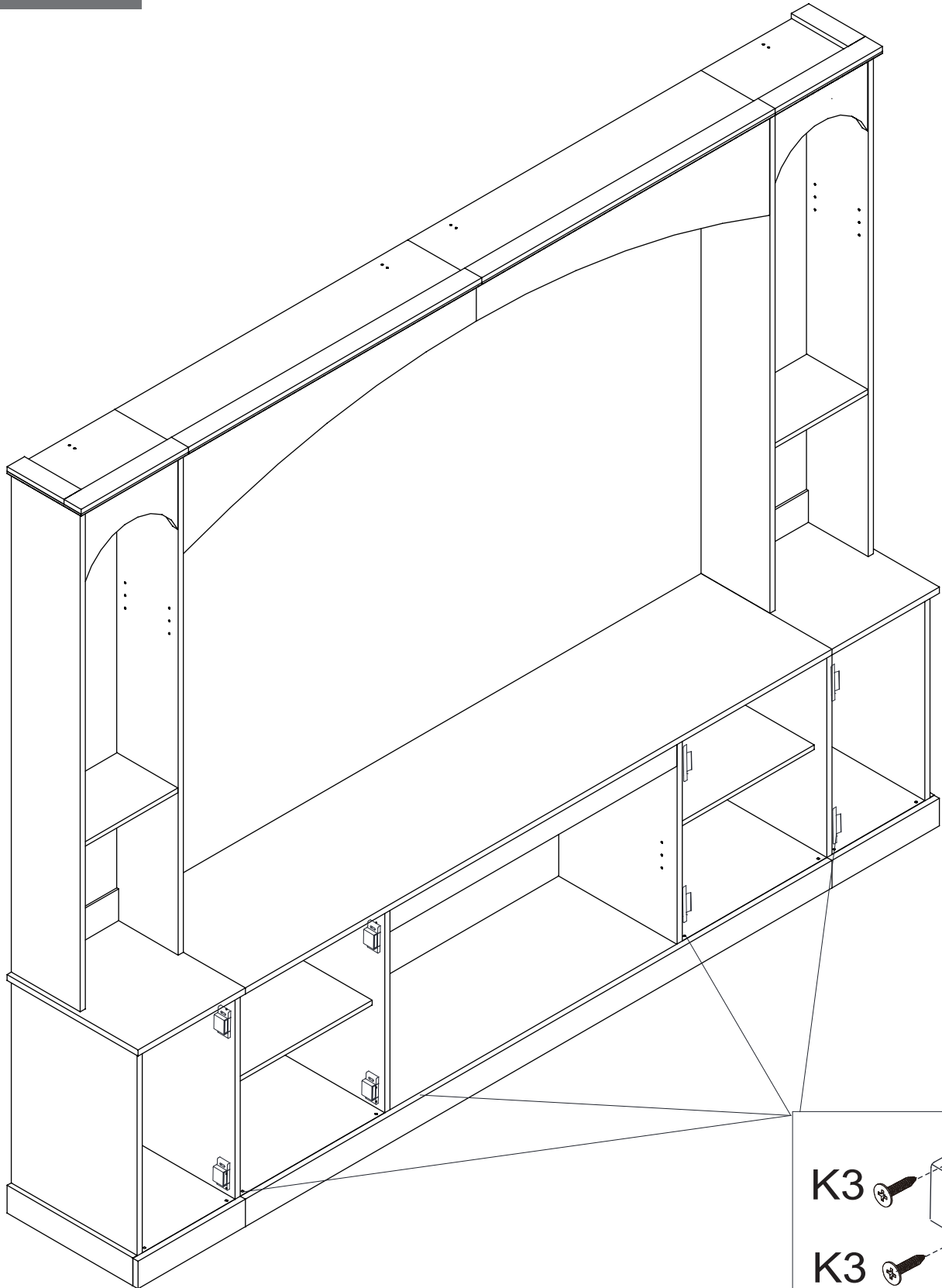


As the picture shows,
Fix hardware "L" into the gap with screws
to make the back panel more stable.

L*60



Step 42



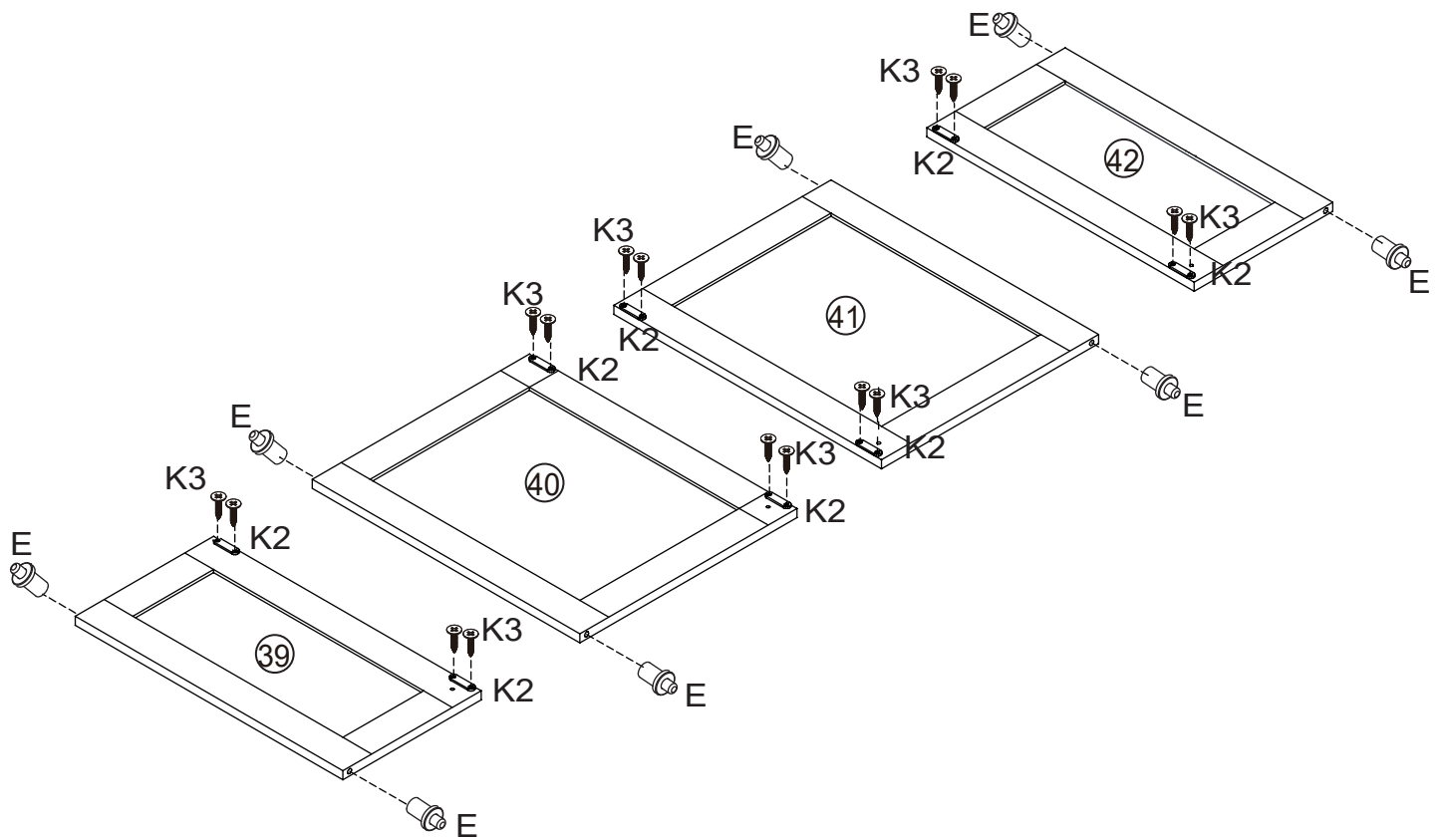
K1*8



K3*16



Step 43



K2*8



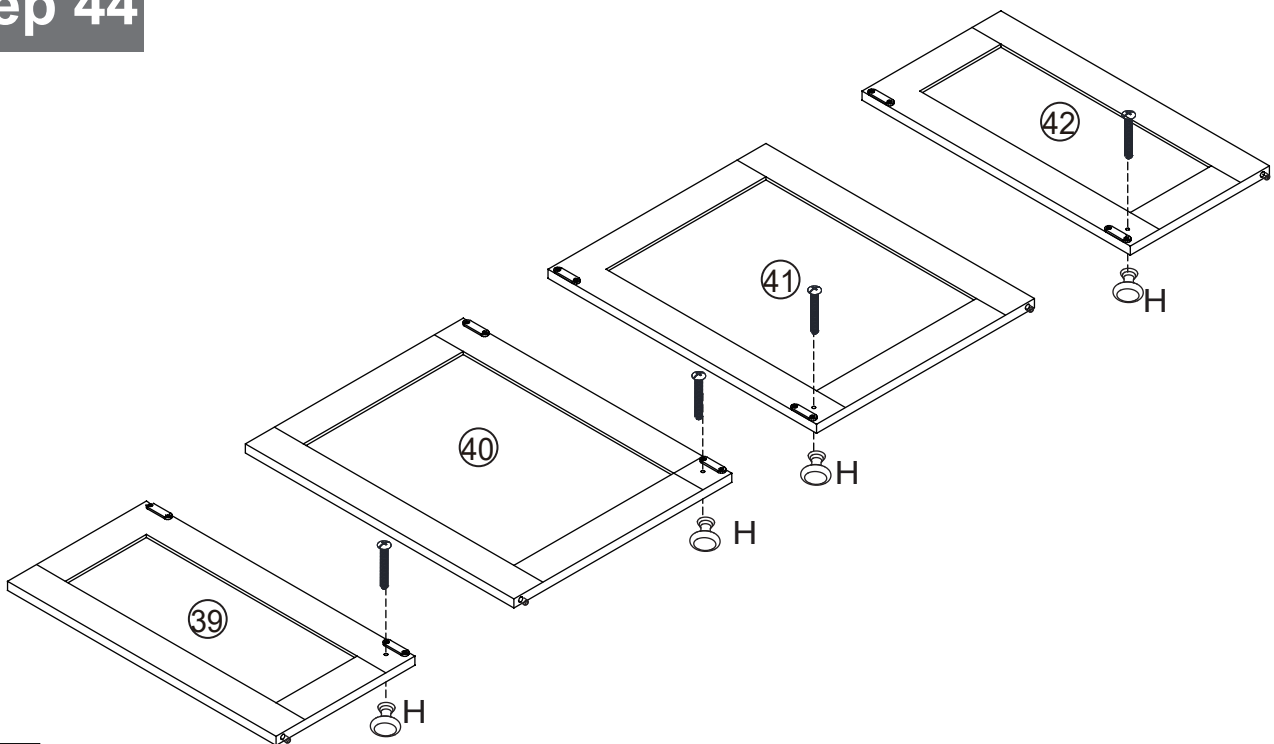
K3*16



E*8



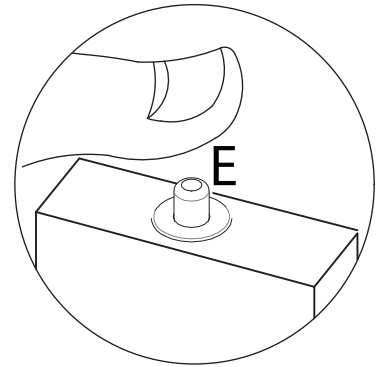
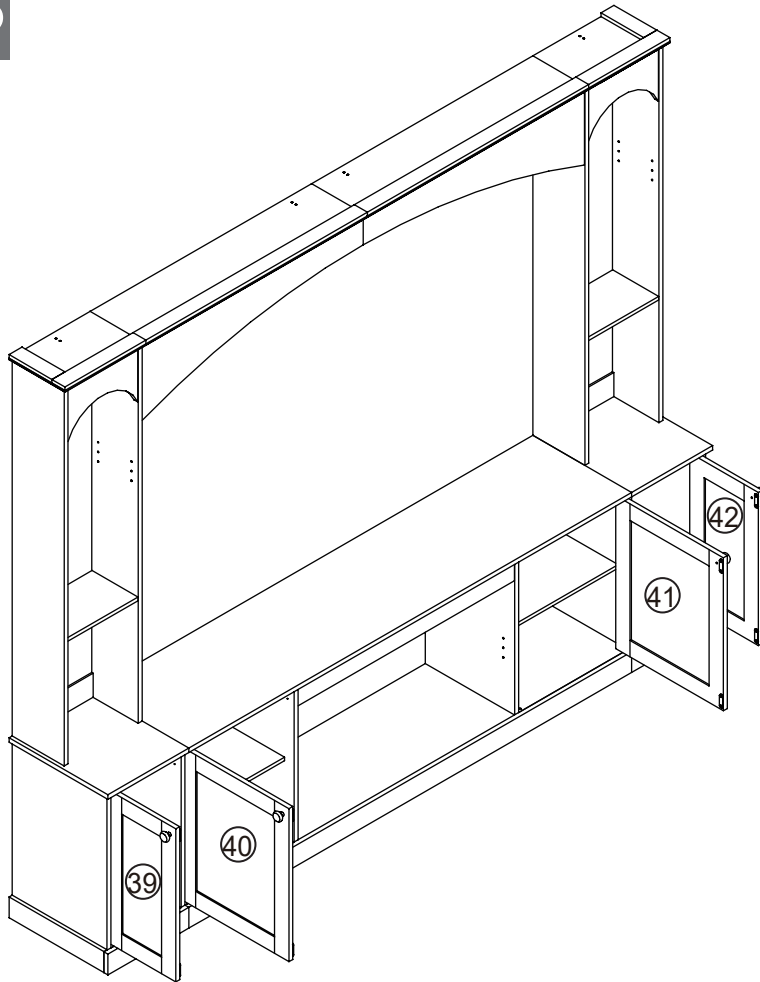
Step 44



H*4

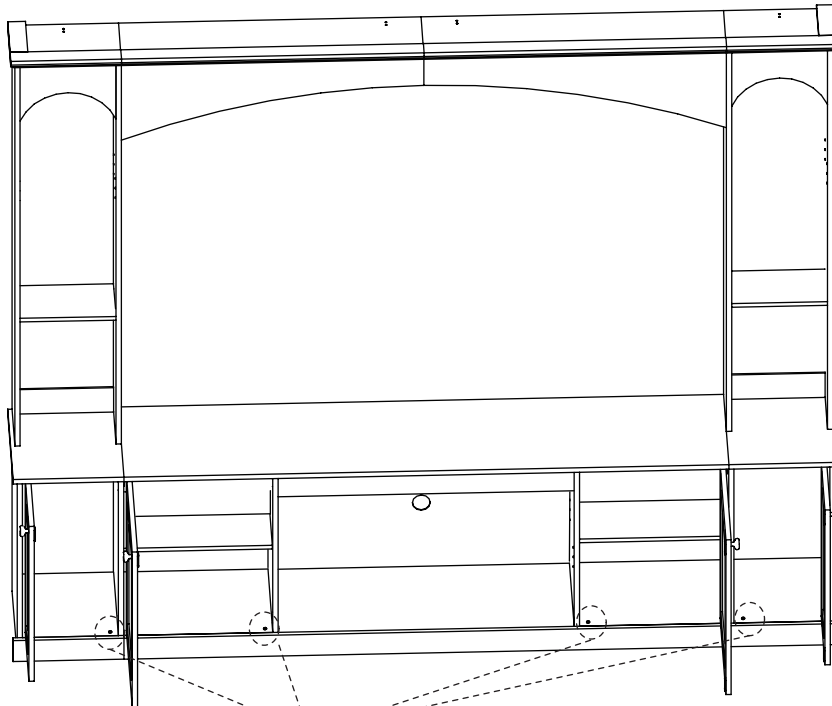


Step 45



Press hardware E and then slot in to the hole at cabinet.

Step 46

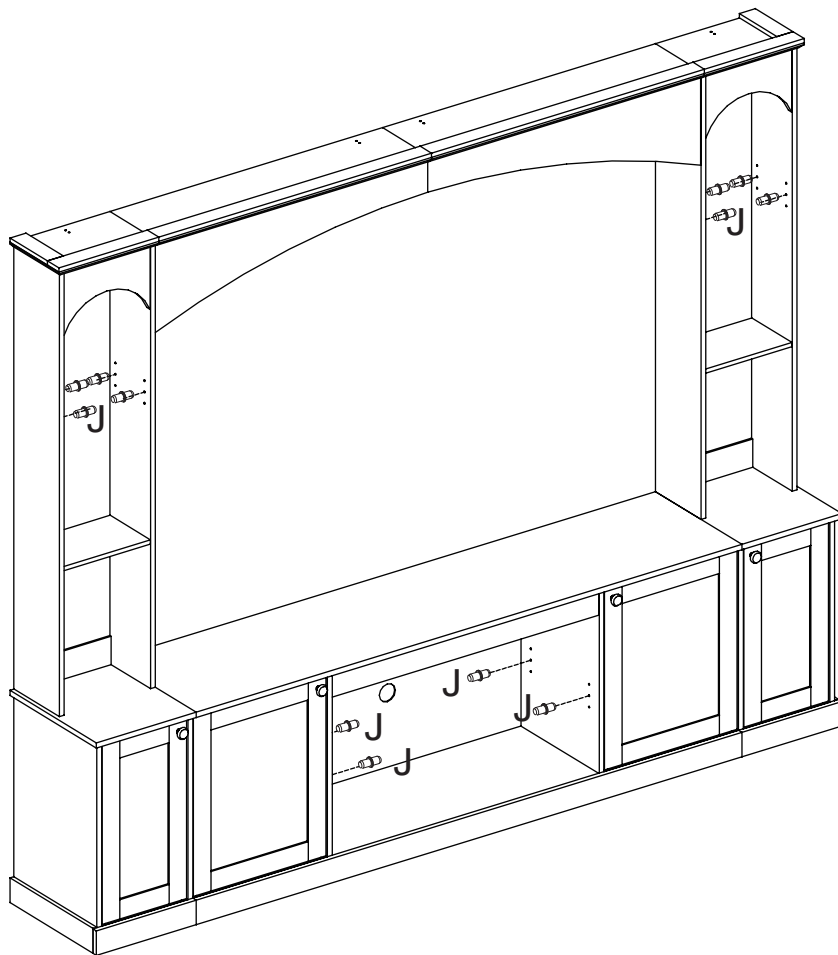


Please stick the hardware "N" on the exposed hole that makes your product more beautiful.

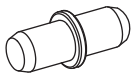
N*45



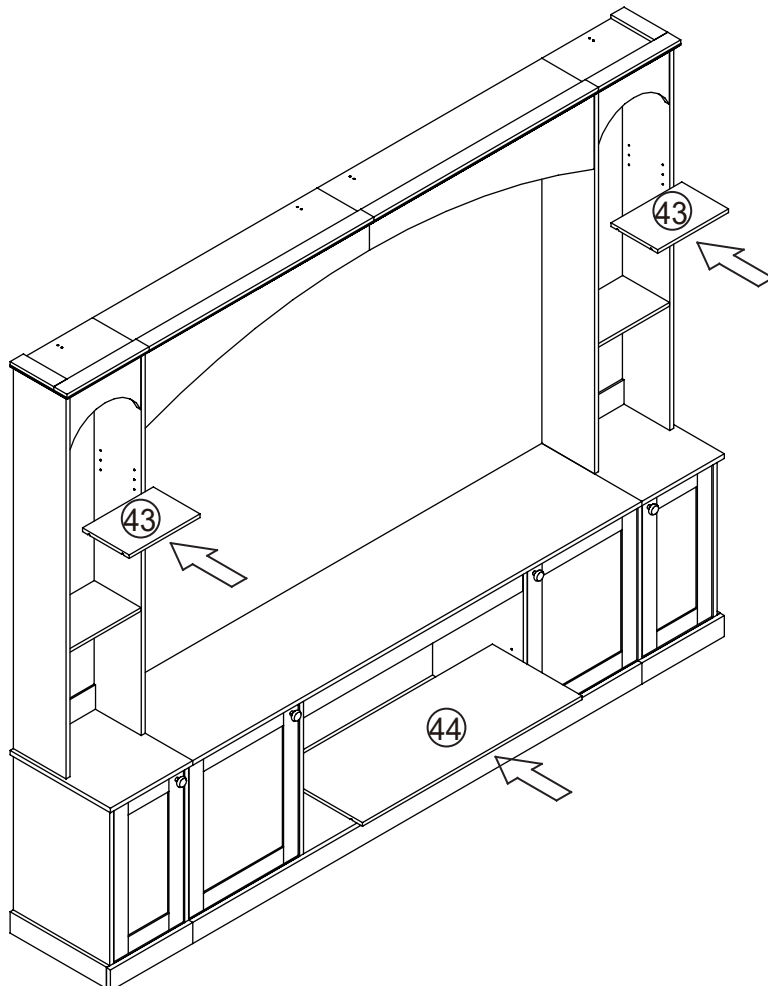
Step 47



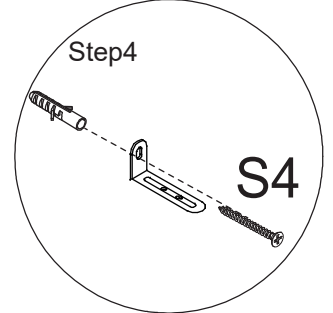
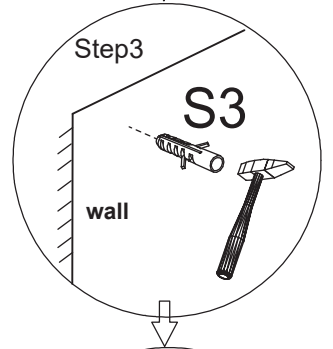
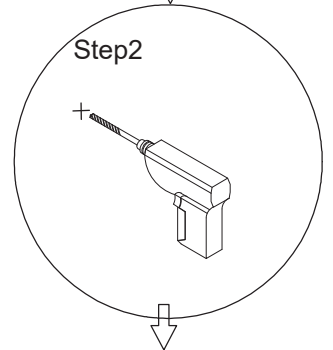
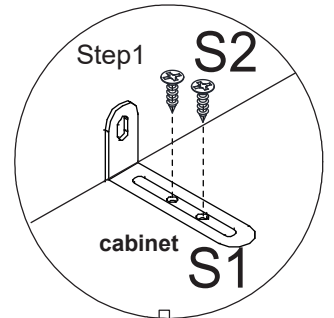
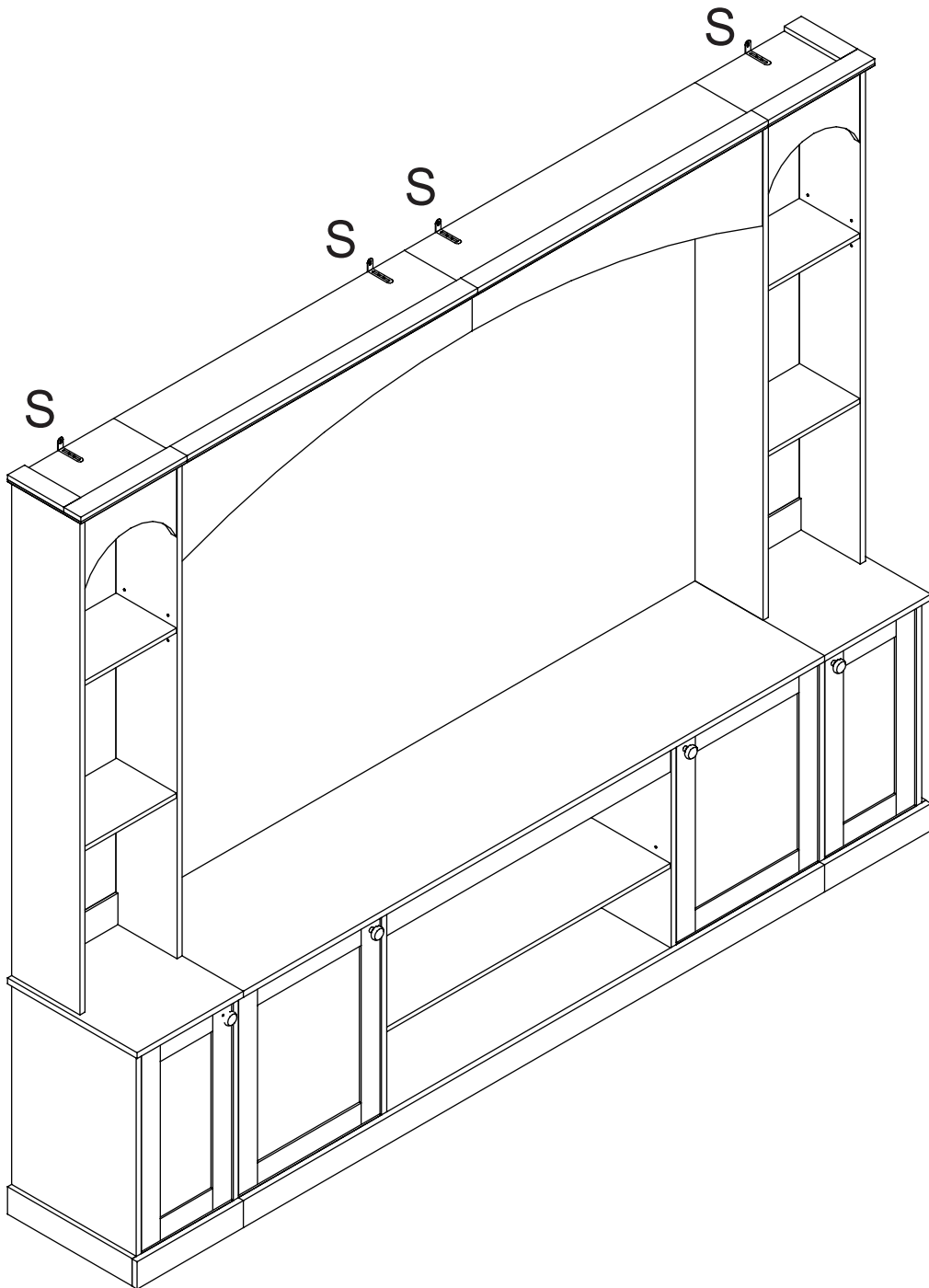
J*12



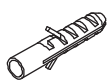
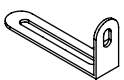
Step 48



Step 49



S*4



FINISH

