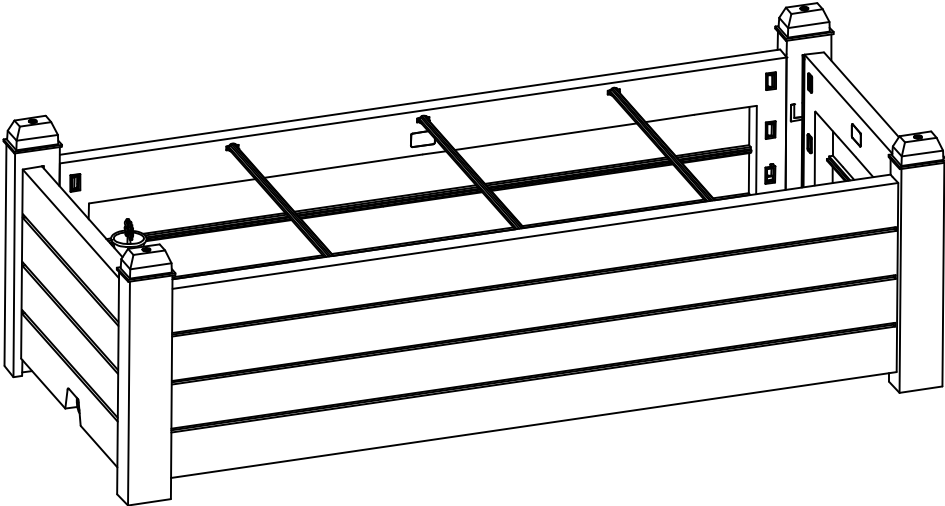


ASSEMBLE INSTRUCTIONS



IMPORTANT

Once installed, the product cannot be detached. Strictly follow each step in the installation manual.

- Gather and organize all required parts prior to assembly. If you have any problems or discover any missing parts, please contact customer service.
- Some parts may contain sharp edges. Wear protective gloves if necessary during assembly.

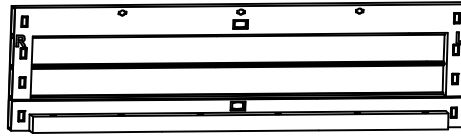
CARE & SAFETY

- Assemble on a flat, clean and soft surface.
- In case of fire, do not attempt to extinguish any burning polypropylene with water.
- Wear safety-goggles and always follow the manufacturer's instructions when using power tools.
- During installation, please refer to the accessories guide to ensure that they are installed in the correct directions.
- Do not stand on the lid.

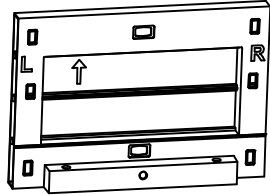
PARTS LIST



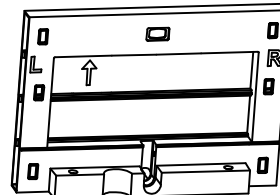
(X3)



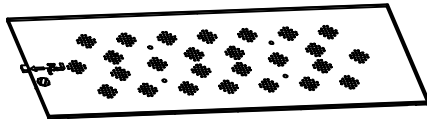
A(X2)



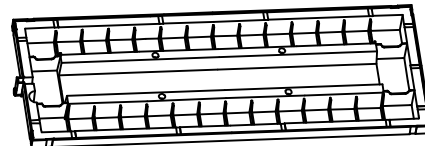
B(X1)



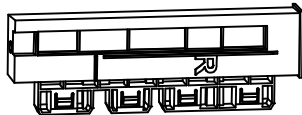
C(X1)



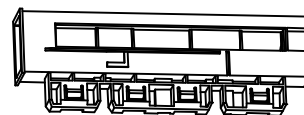
D(X1)



E(X1)



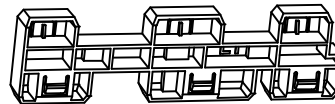
R(X2)



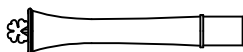
L(X2)



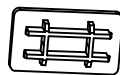
R1(X2)



L1(X2)



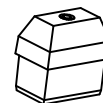
(X1)



(X7)



(X1)

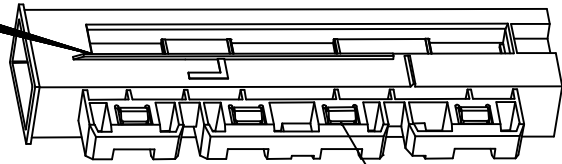
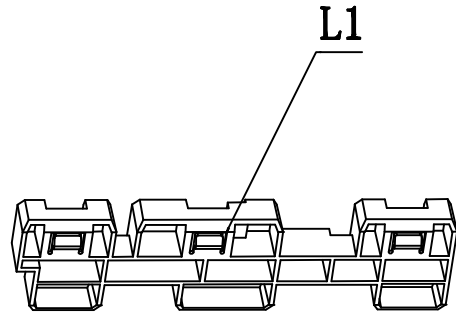
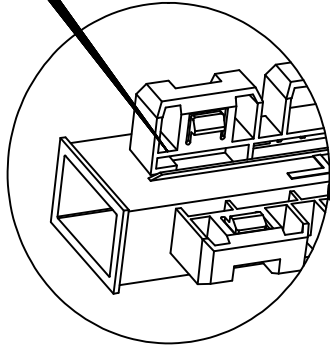


(X4)

1 L(X2)

L1(X2)

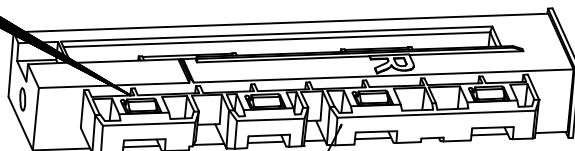
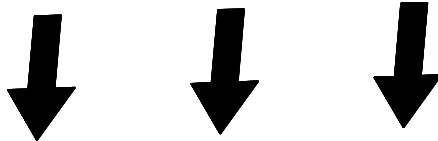
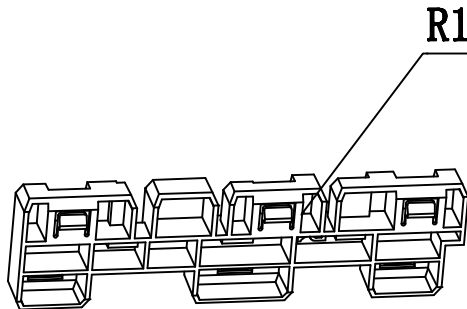
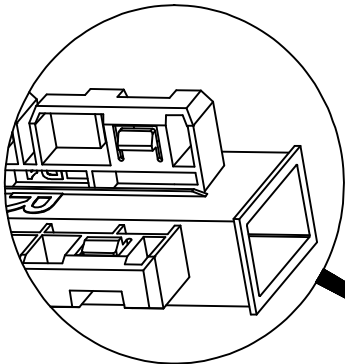
CLICK




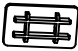
L X2

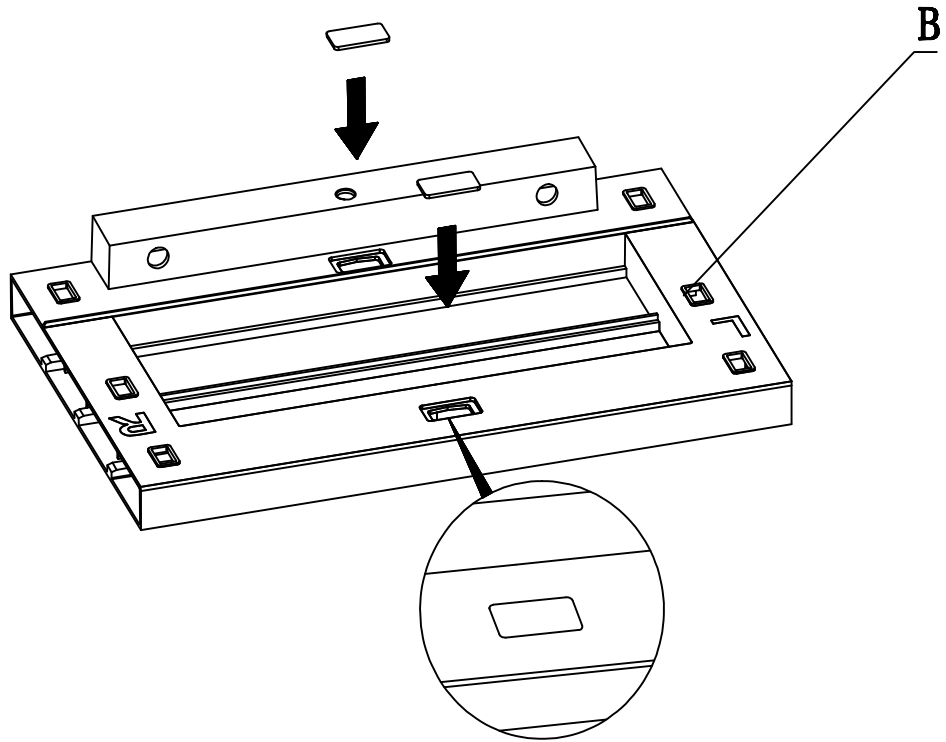
2 R(X2)

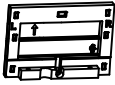
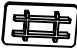
R1(X2)

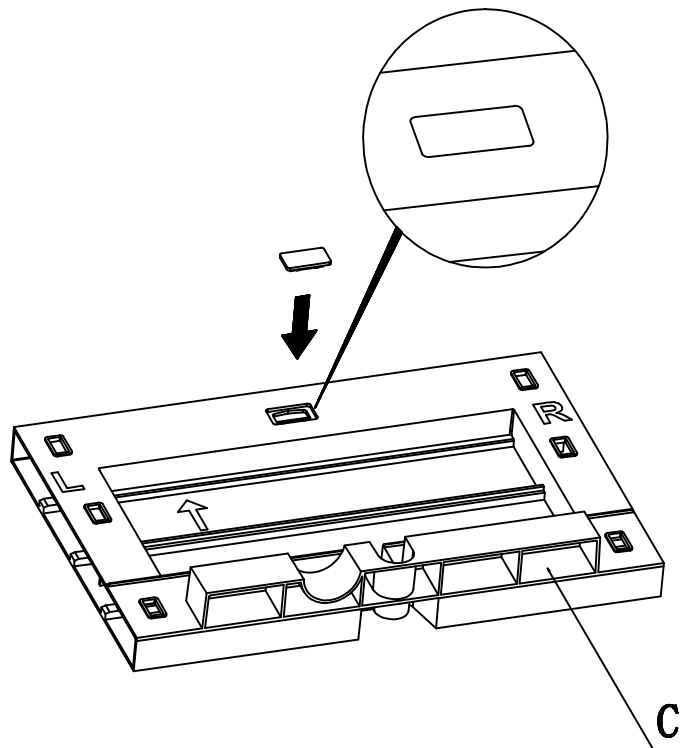


R X2

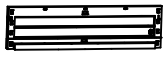
3  **B(X1)**  **(X2)**



4  **C(X1)**  **(X1)**



5

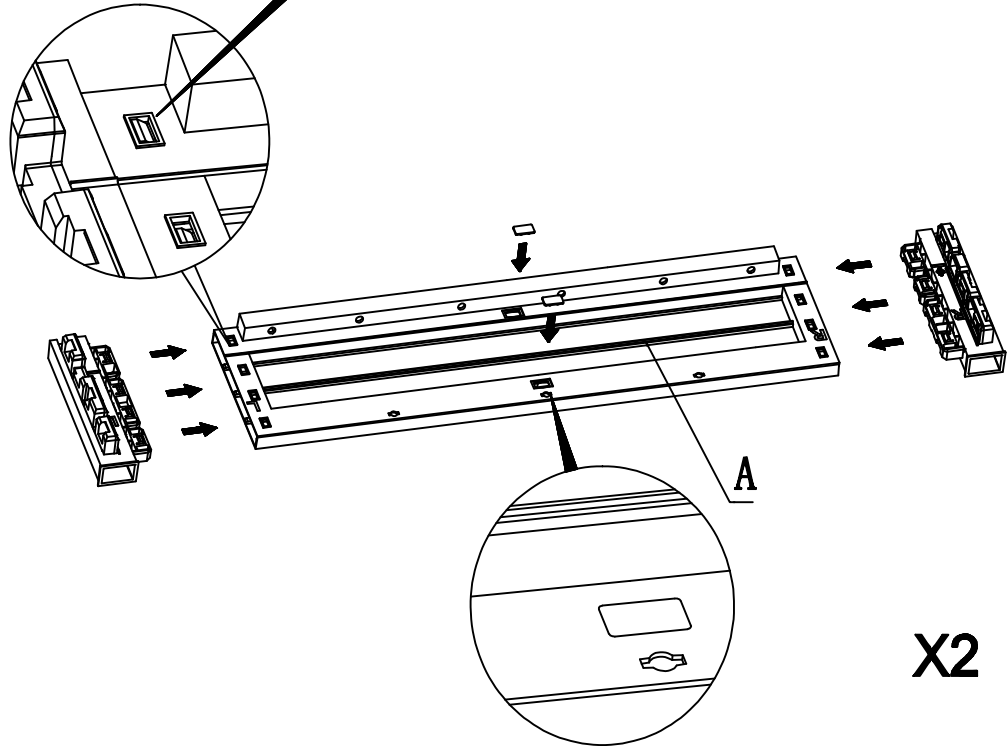


A(X2)

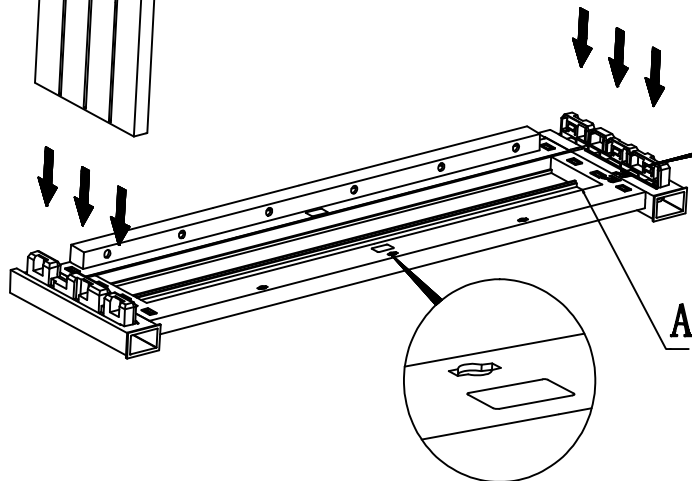
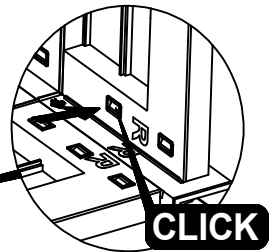
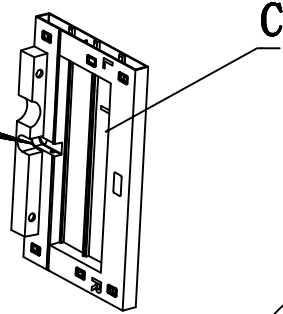
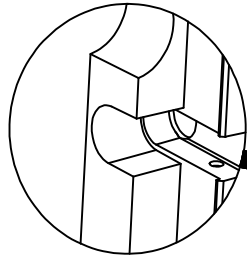
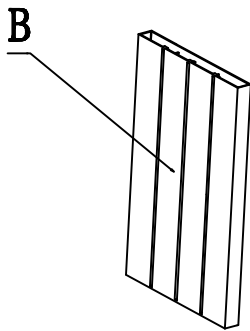


(X4)

CLICK

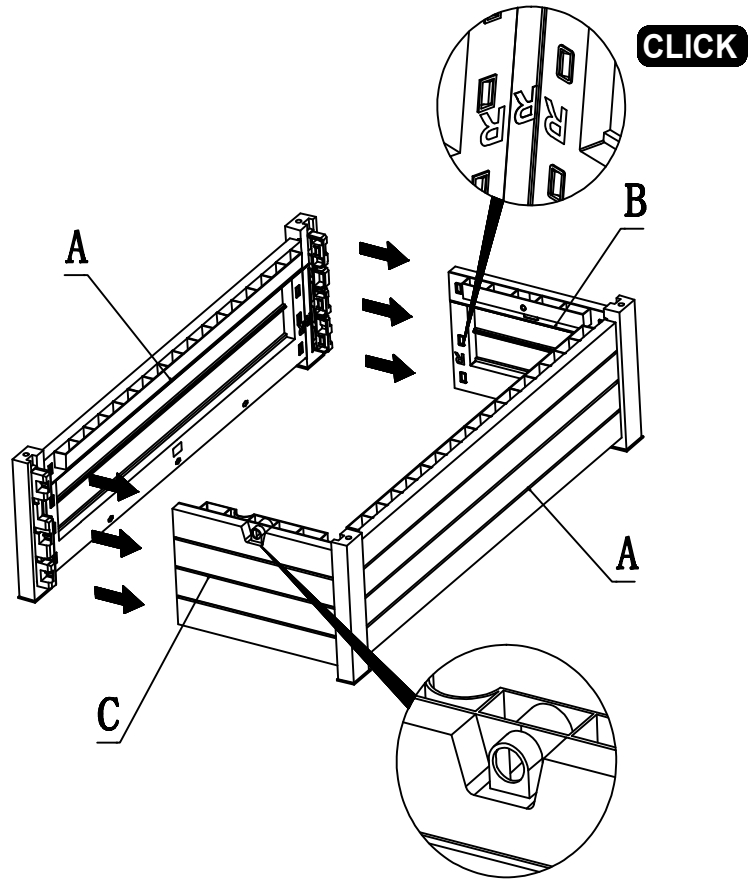


6

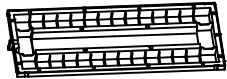


5

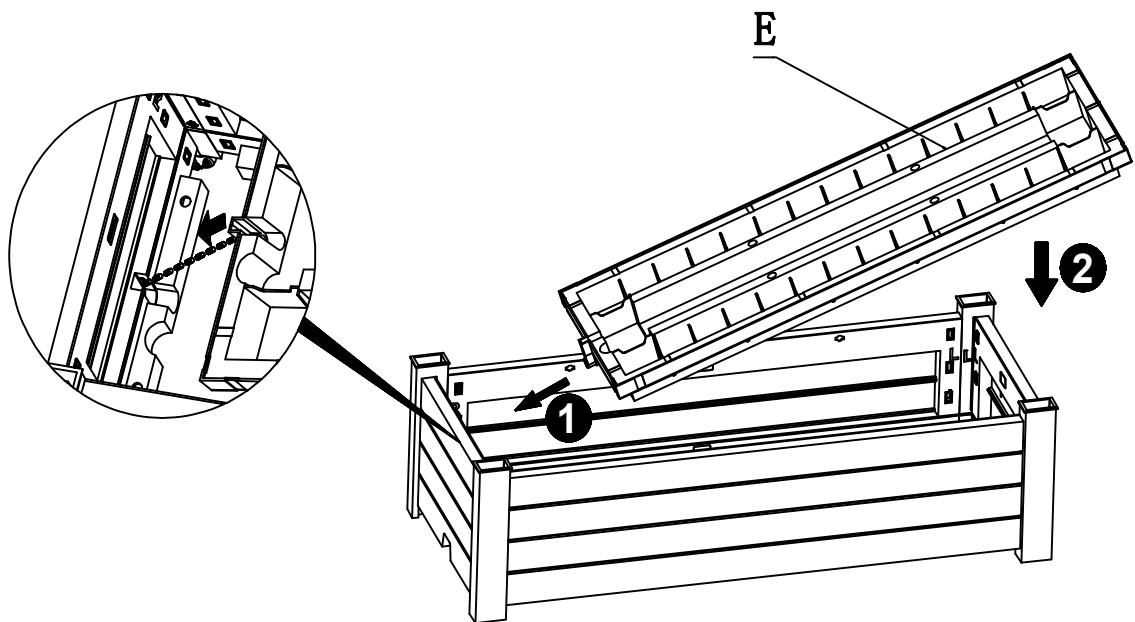
7



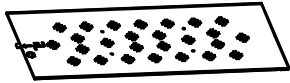
8



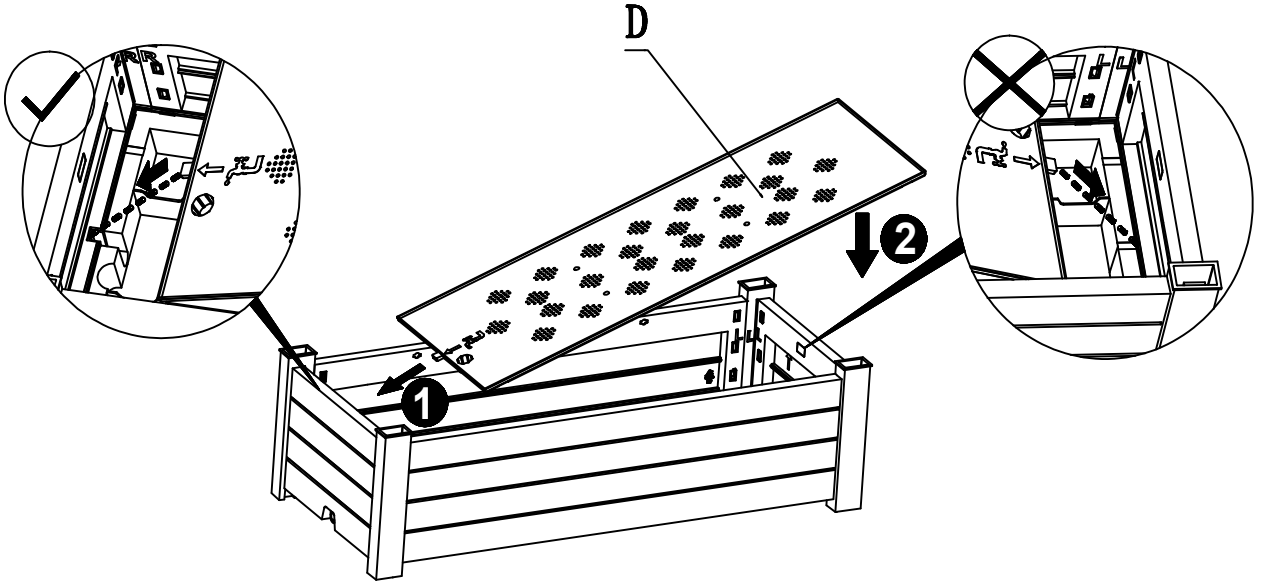
E(X1)



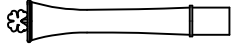
9



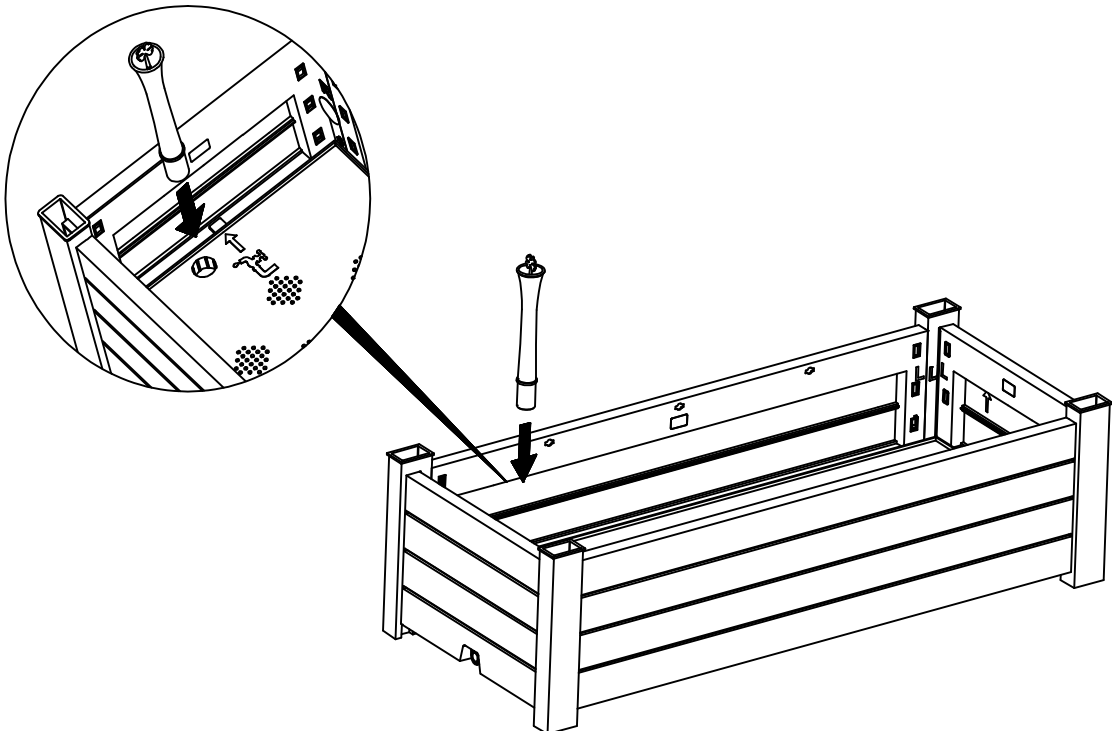
D(X1)



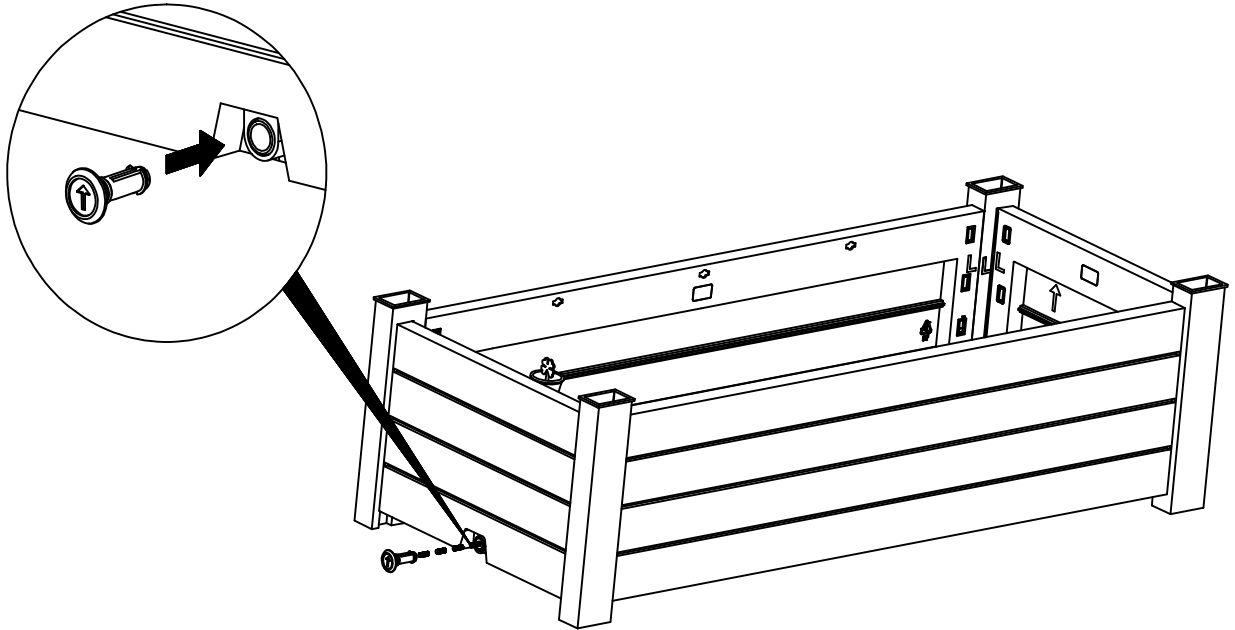
10



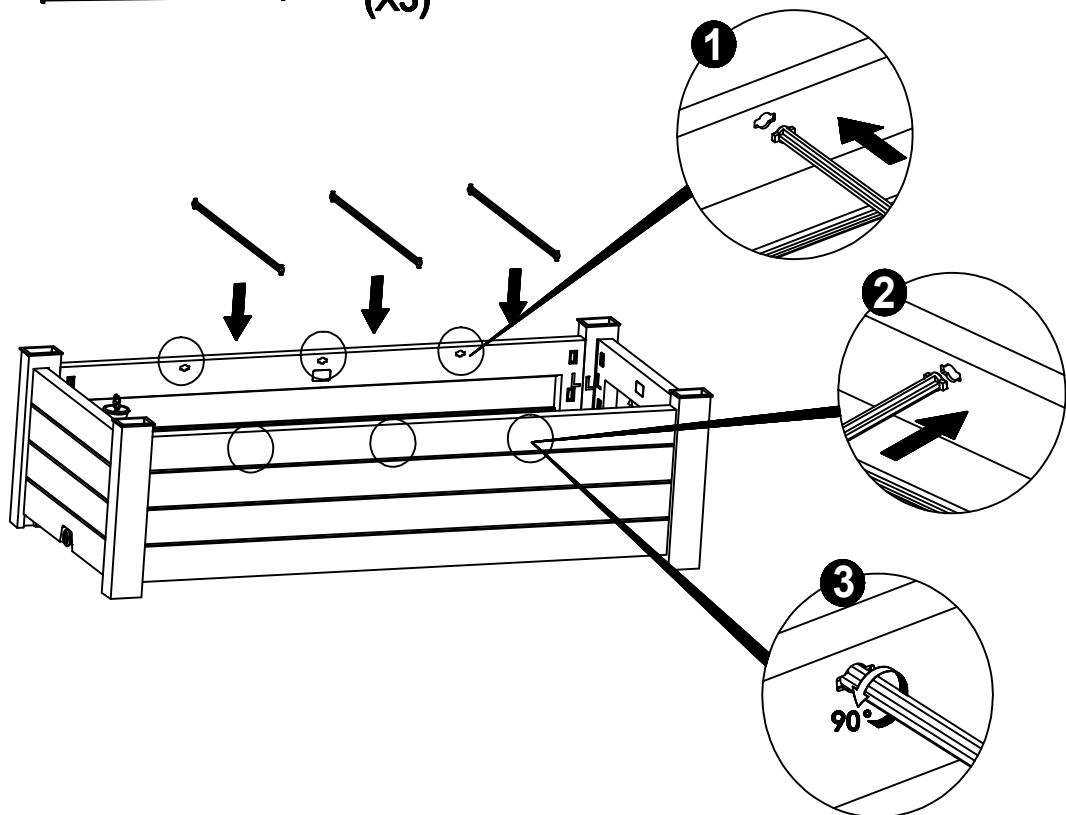
(X1)



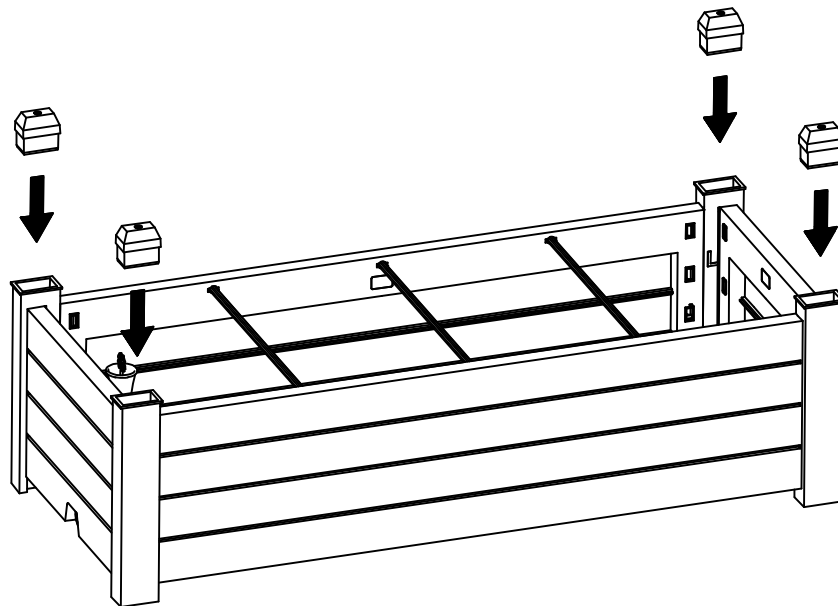
11  (X1)



12  (X3)



13  (X4)



14

