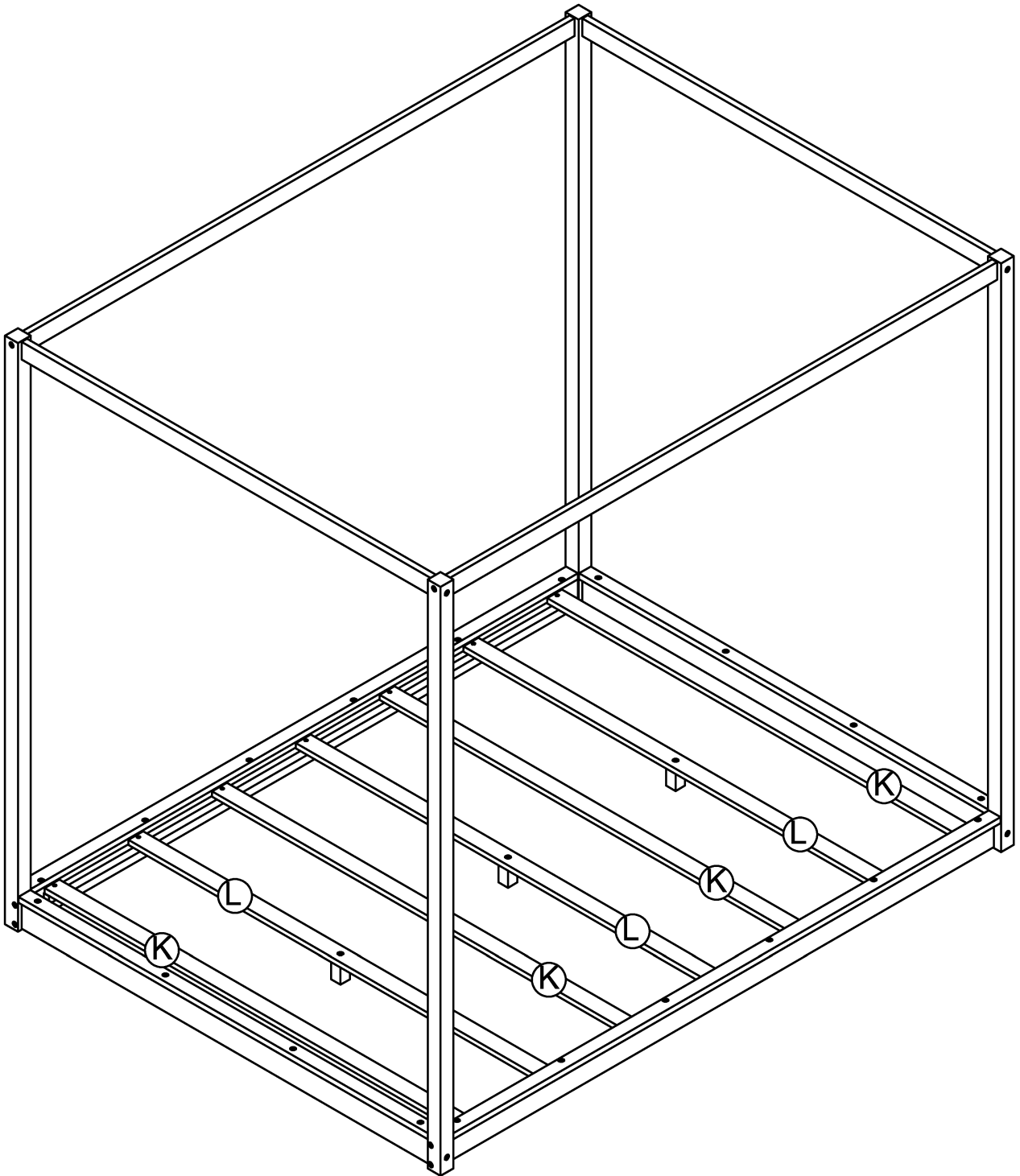


ASSEMBLY INSTRUCTION



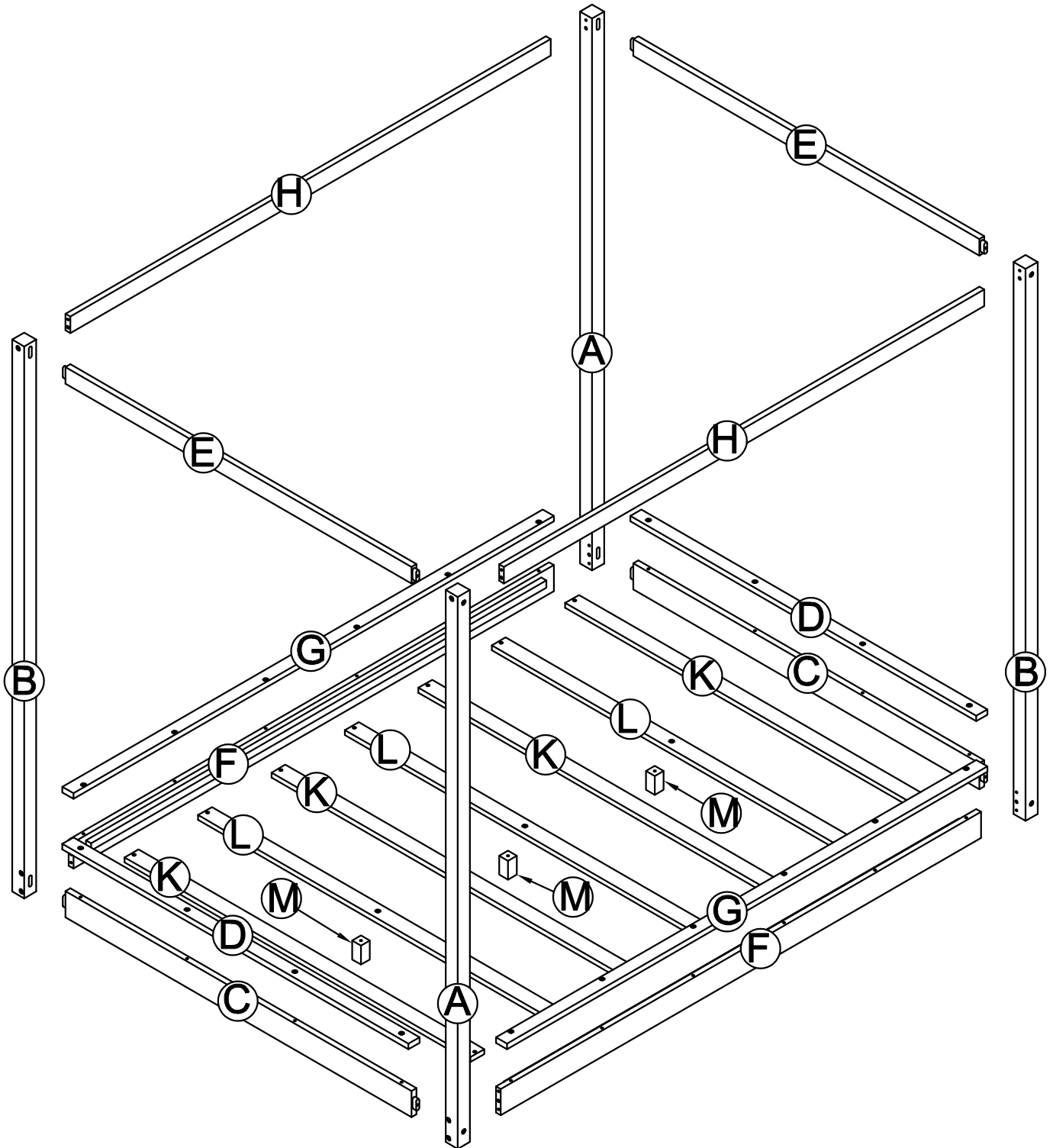
SAFETY WARNINGS AND GENERAL NOTES:

1. Do not use substitute parts. Contact the manufacturer or dealer for replacement parts.
2. Keep these instructions for future reference.
3. We recommend assembling your bed on the shipping carton to protect your floor or carpet.
4. Be certain all staples are out of the box before beginning assembly on the shipping carton.



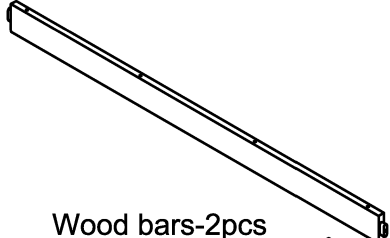
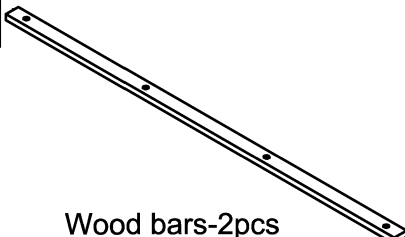
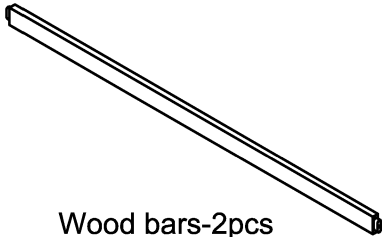
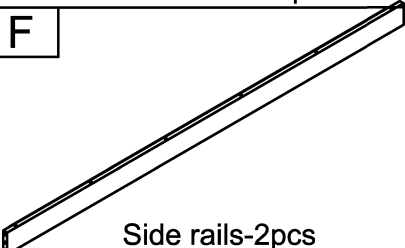
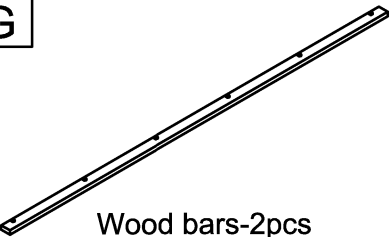
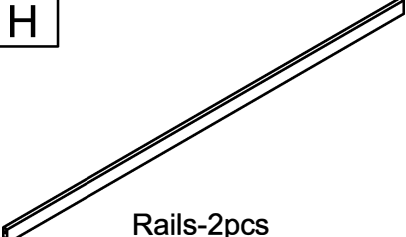
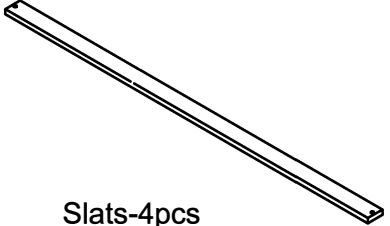
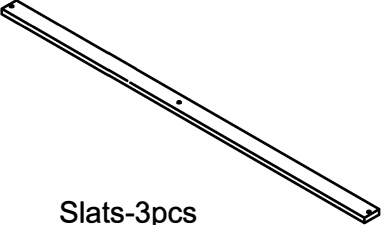
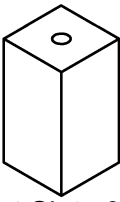
5.Replacement Parts:

Replacement Parts, including additional guardrails, may be obtained from any of our dealers



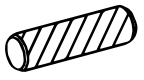
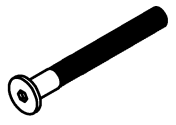



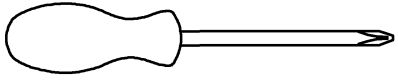
ASSEMBLY INSTRUCTION



Part List

| | | |
|---|---|--|
| <p>A</p>  <p>Legs-2pcs</p> | <p>B</p>  <p>Legs-2pcs</p> | <p>C</p>  <p>Wood bars-2pcs</p> |
| <p>D</p>  <p>Wood bars-2pcs</p> | <p>E</p>  <p>Wood bars-2pcs</p> | <p>F</p>  <p>Side rails-2pcs</p> |
| <p>G</p>  <p>Wood bars-2pcs</p> | <p>H</p>  <p>Rails-2pcs</p> | <p>K</p>  <p>Slats-4pcs</p> |
| <p>L</p>  <p>Slats-3pcs</p> | <p>M</p>  <p>Support Slats-3pcs</p> | |



Hardware List

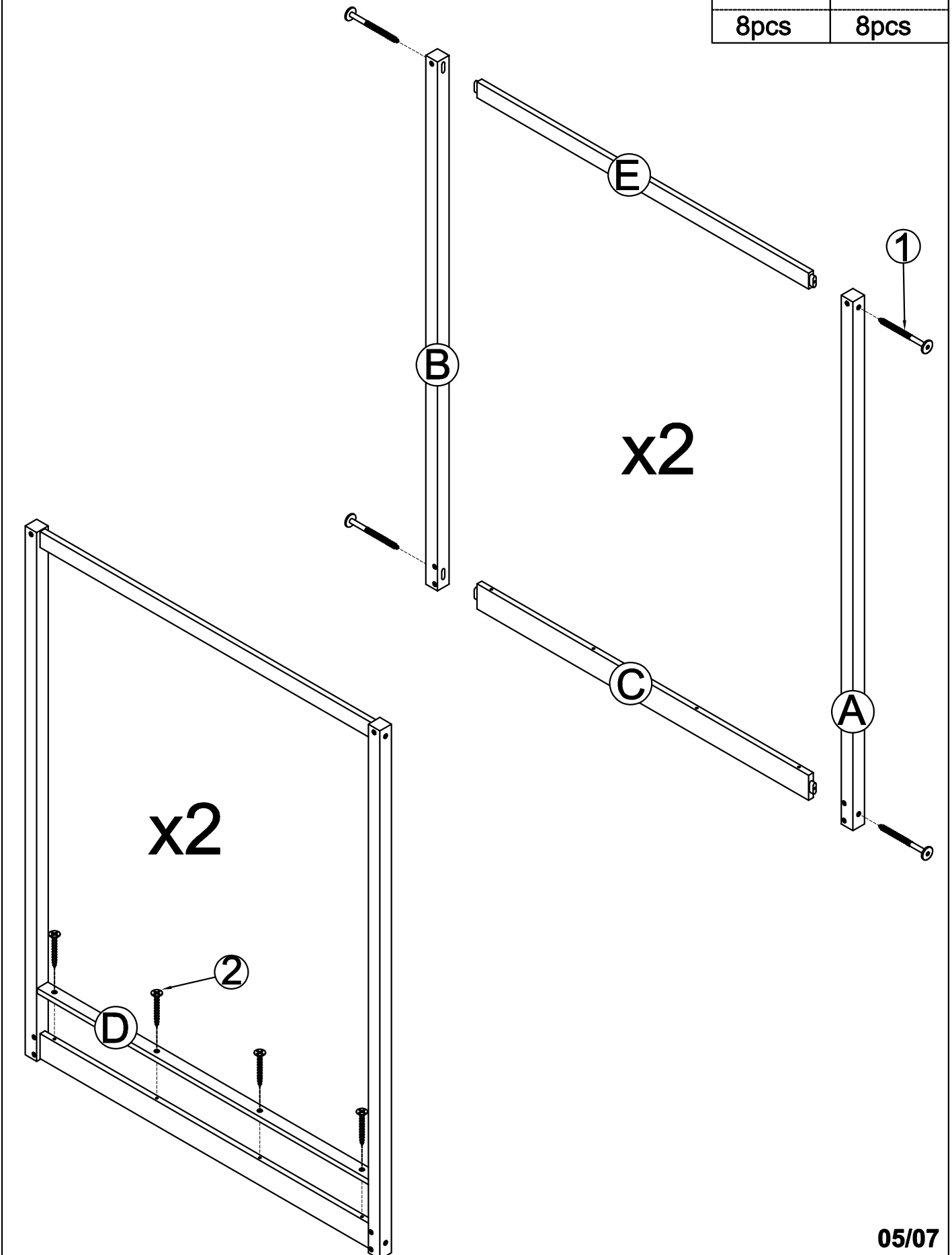
| | | |
|---|--|--|
| <p>1</p>  <p>Screws 1/4"x70 8pcs</p> | <p>2</p>  <p>M4 x 30 mm Wood Screws 34pcs</p> | <p>3</p>  <p>Ø10 x 40 mm Wood dowel 8pcs</p> |
| <p>4</p>  <p>Ø1/4" x 90 mm Hex-Head bolts 12pcs</p> | <p>5</p>  <p>Ø1/4" x 13 mm Horizontal-Hole bolts 12pcs</p> | <p>6</p>  <p>Ø1/4" x 30 mm Hex-Head bolts 3pcs</p> |
| <p>7</p>  <p>Allen Key 1pc</p> | <p></p> <p>Assembly Tools Required (Not Included)</p> | |

STEP1: Following below illustration:

1.1: Using hardware #1 connect A,B Legs With C,E Wood Bars

1.2: Using hardware #2 connect Frame(completed on step 1.1) With D Wood Bars

| | | | |
|------|---|------|---|
| 2 |  | 1 |  |
| 8pcs | | 8pcs | |



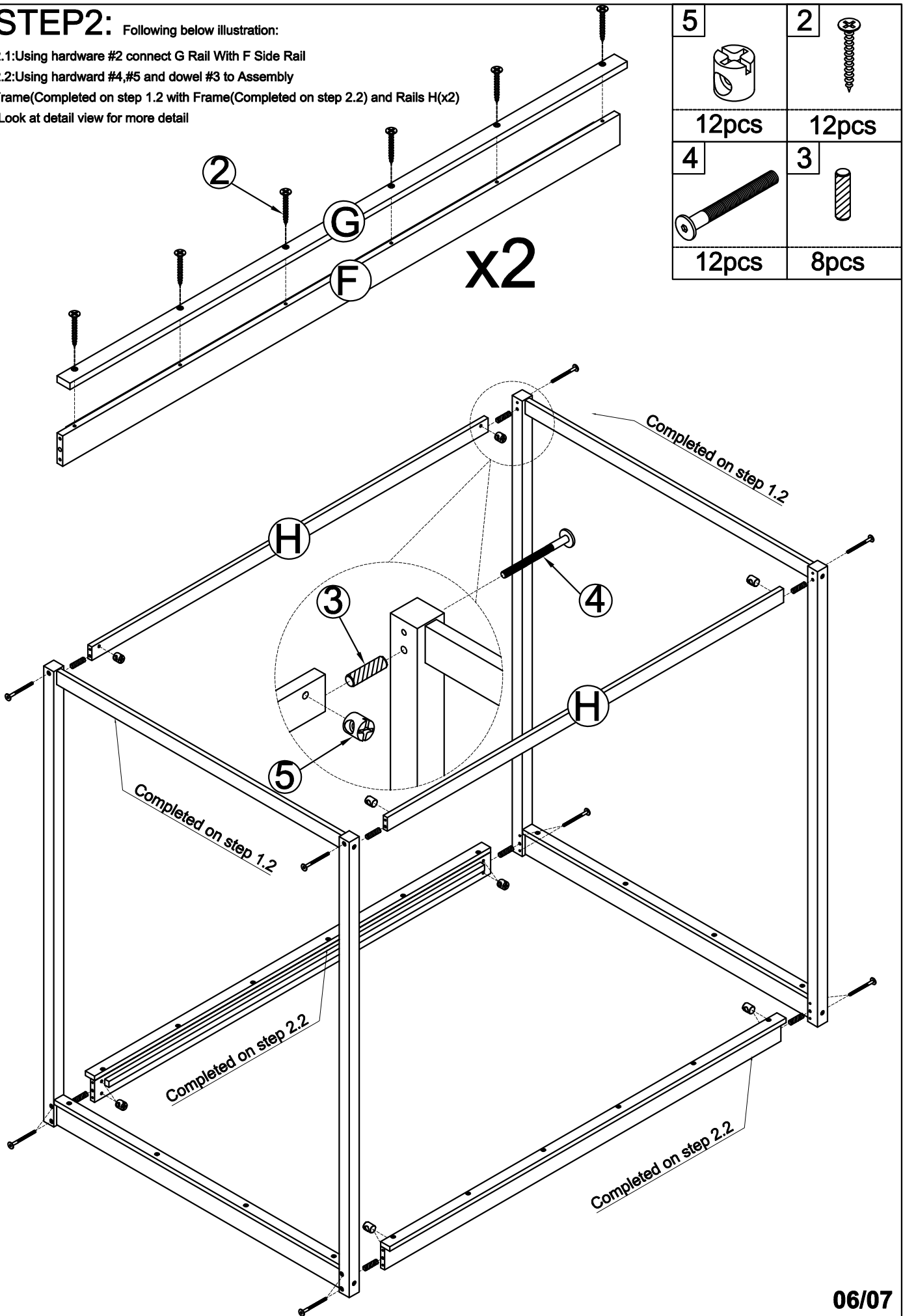
STEP2: Following below illustration:

2.1:Using hardware #2 connect G Rail With F Side Rail

2.2:Using hardware #4,#5 and dowel #3 to Assembly

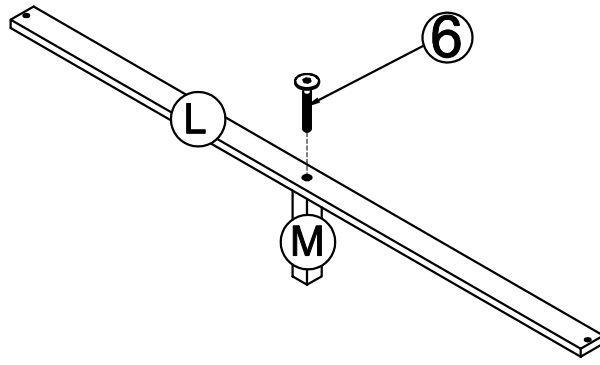
Frame(Completed on step 1.2 with Frame(Completed on step 2.2) and Rails H(x2)

-Look at detail view for more detail



STEP 3:

Following below illustration:
-Using hardward #6 to Assembly Slats L(x3) with M(x3)
-Look at detail view for more detail



6

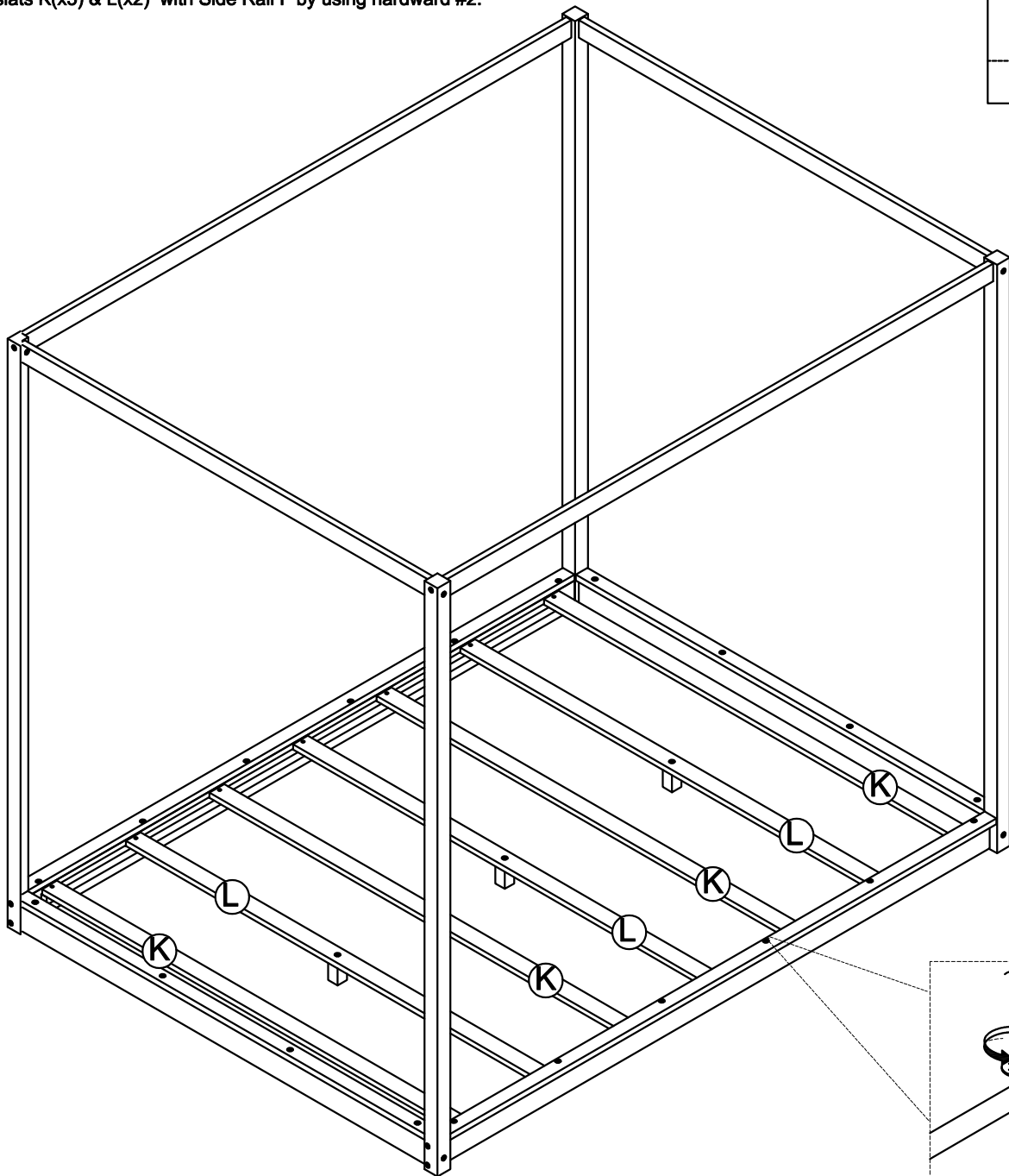


3pcs

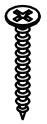
x3

STEP 4:

Following below illustration:
-Screw slats K(x5) & L(x2) with Side Rail F by using hardward #2.



2



14pcs

