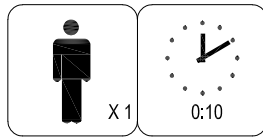
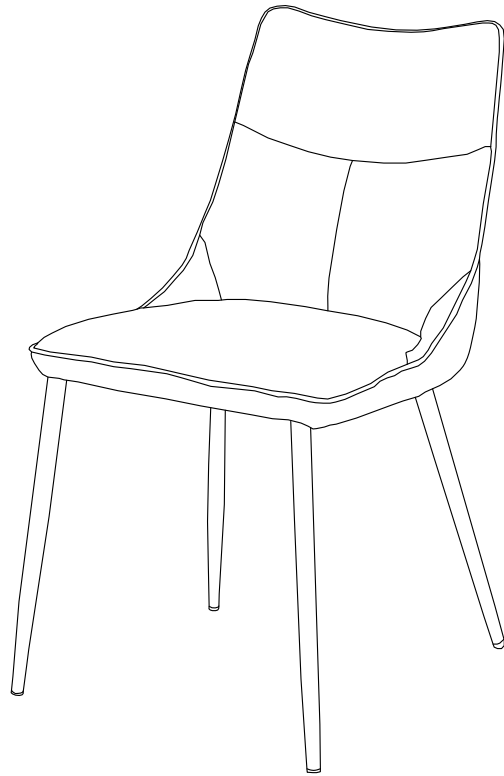
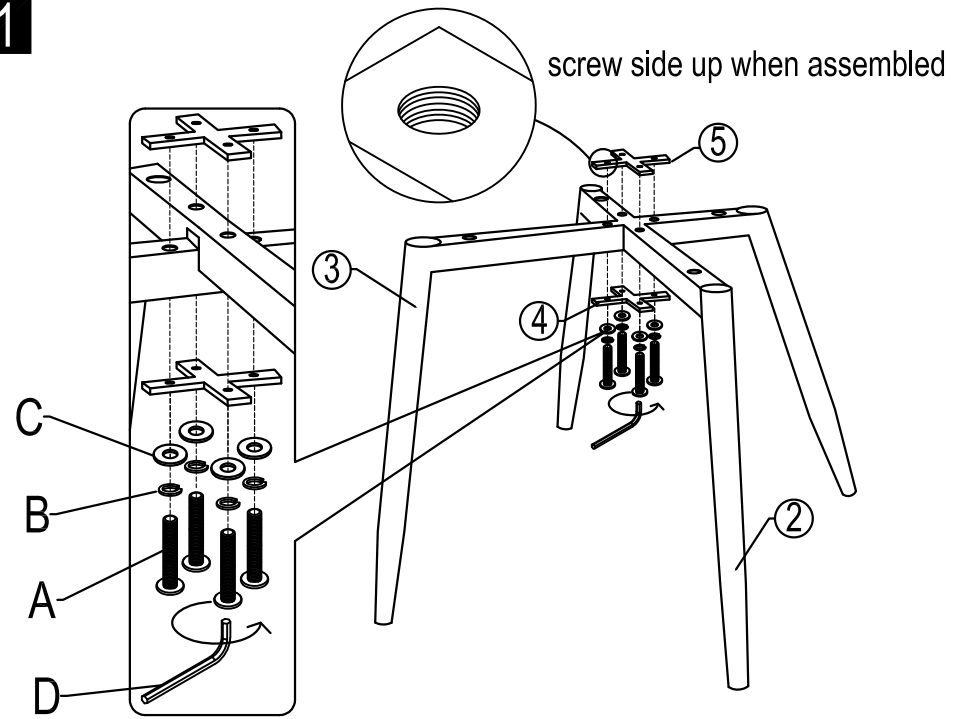


ASSEMBLY INSTRUCTIONS



① X1	② X1	③ X1	④ X1	⑤ X1
A X4	B X8	C X8	D X1	E X4

1



2

