

After-sales Service

Dear customer,

We're excited that you've chosen our product to be a part of your home. We care deeply about your experience and want to make sure you have all the help you need.

If you have any questions while assembling your new product, don't hesitate to contact our dedicated customer support team through the original purchase platform.

Creating your ideal space is important, and we're committed to helping you every step of the way.

Thank you for choosing us, where comfort and style meet practicality.

Sincerely,
Customer Service Manager

ASSEMBLY INSTRUCTIONS



REMARK

1. During installation, you can adjust the heights of wire shelves according to your storage needs.

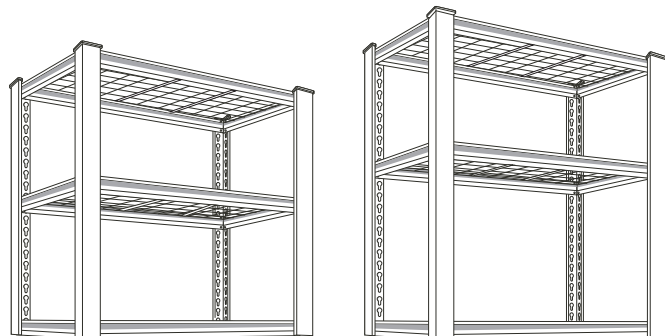
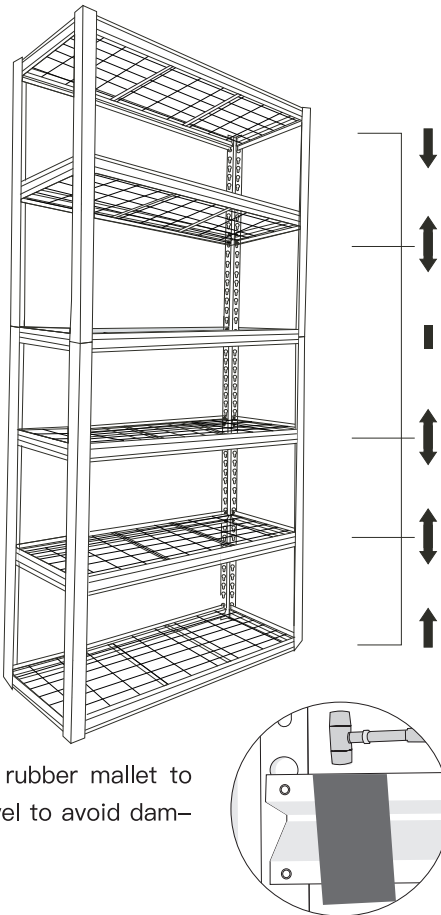
2. For longer lifespan, please place the rack in a dry indoor environment.

3. Avoid placing heavy objects on top of this product to prevent instability and potential accidents.

4. Please **DO NOT** load more than the maximum weight described on the product page.

5. Please knock the crossbars with rubber mallet to secure the frame, cover it with a towel to avoid damaging during installation.

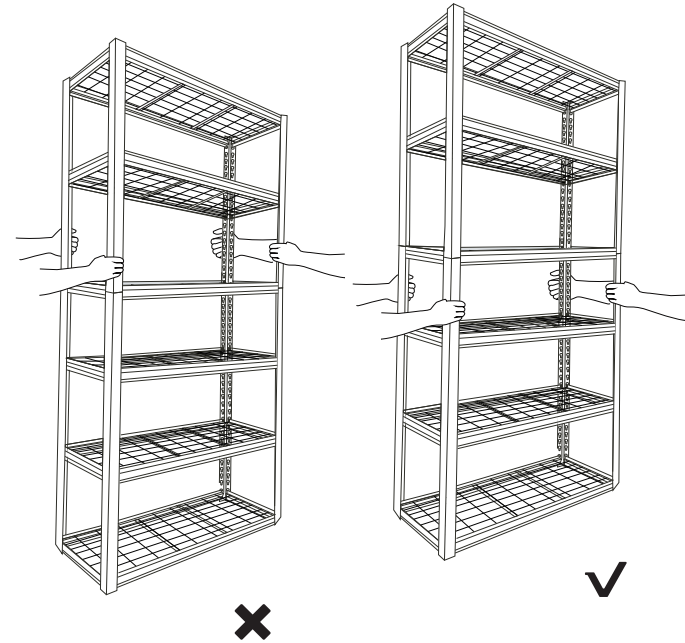
6. It can be divided into two different shelves as shown.



! WARNING

When moving and assembling the shelves, always:

- Hold the lower part securely under the connectors to ensure stability.
- Ensure two or more people are present to assist in moving the product safely.



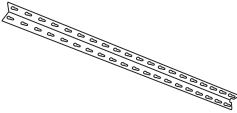
To minimize the risk of tip-overs and injuries:

- Install an Anti-tip device as recommended.
- Prohibit children from climbing or hanging on shelves at all times.

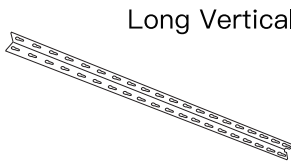
Neglecting these precautions may result in severe injuries or fatalities due to crushing accidents.

Part List


① Short Vertical Bar
x4



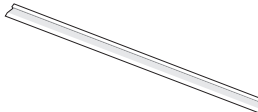
② Long Vertical Bar
x4



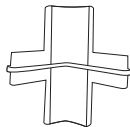
③ Short Cross Bar
x12




④ Long Cross Bar
x12



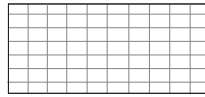
A Connector
x4



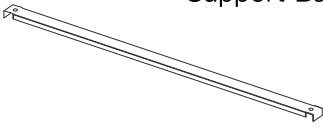
B Rubber Foot Pad
x16



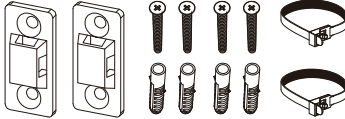
C Wire Shelf
x6




D Support Bar
x12



E Anti-tip Kit
x2

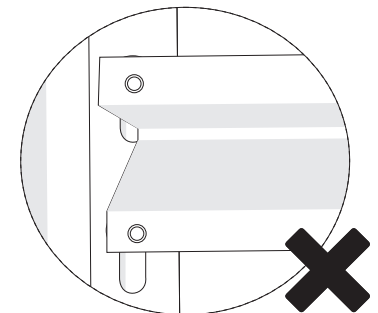
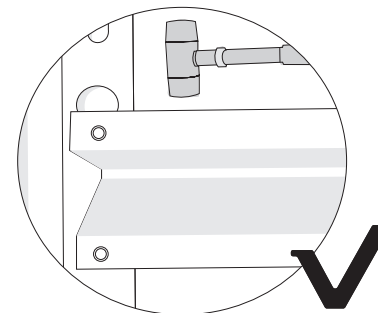
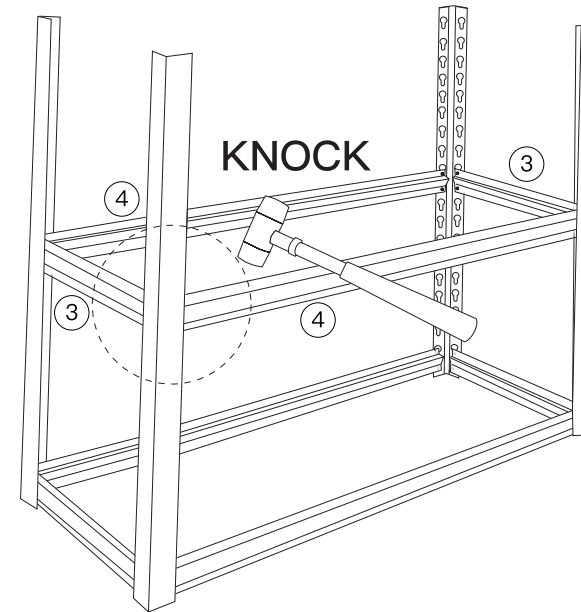


Gloves & Rubber Mallet
x1




ATTENTION

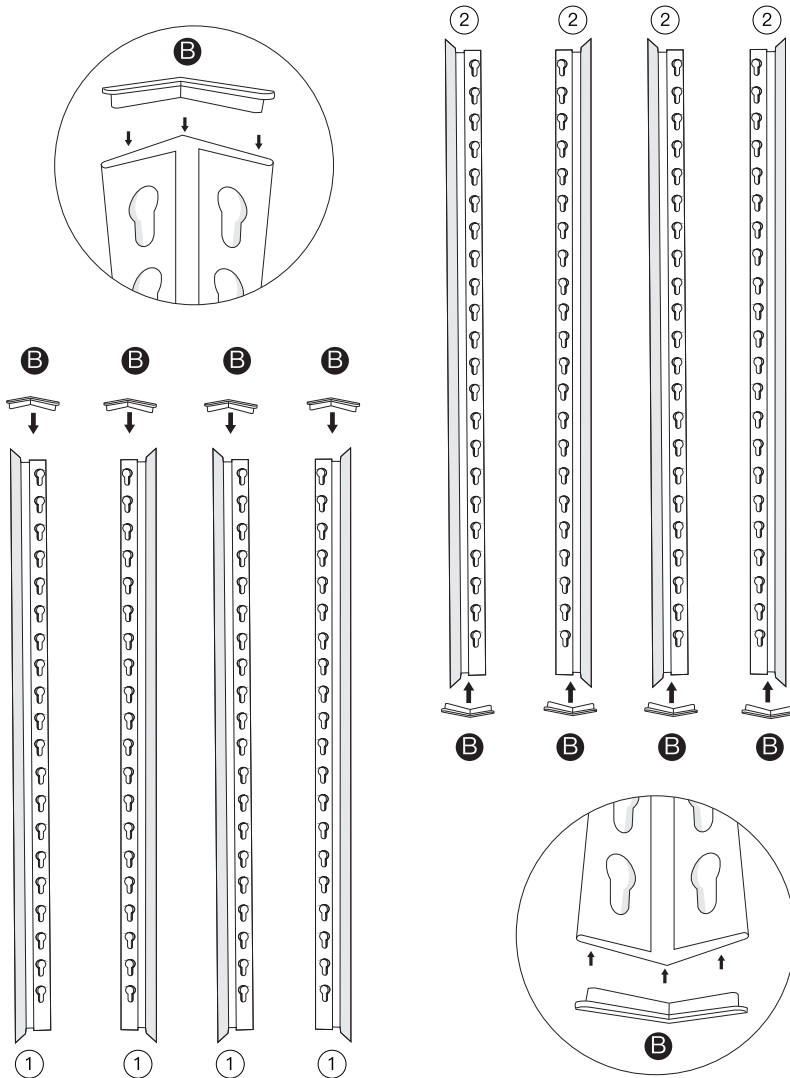
For the overall stability of shelves, every cross bar (③ & ④) must be knocked fully tight into the end while installing.



HOW TO INSTALL

Note: Please wear gloves before installation.

Step 1 Insert rubber foot pad (B) into all vertical bars (1 & 2) as below.

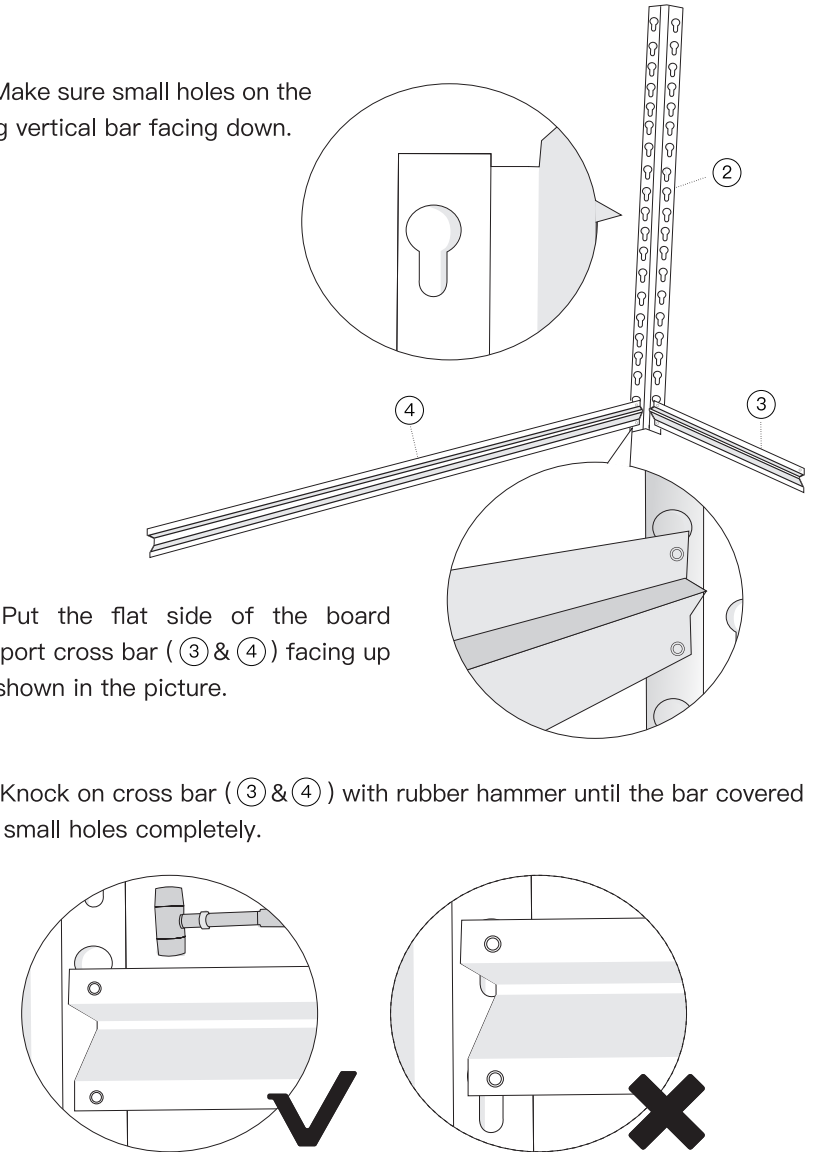


Step 2 Install short cross bar (3) and long cross bar (4) on long vertical bars (2) with hammer as below.

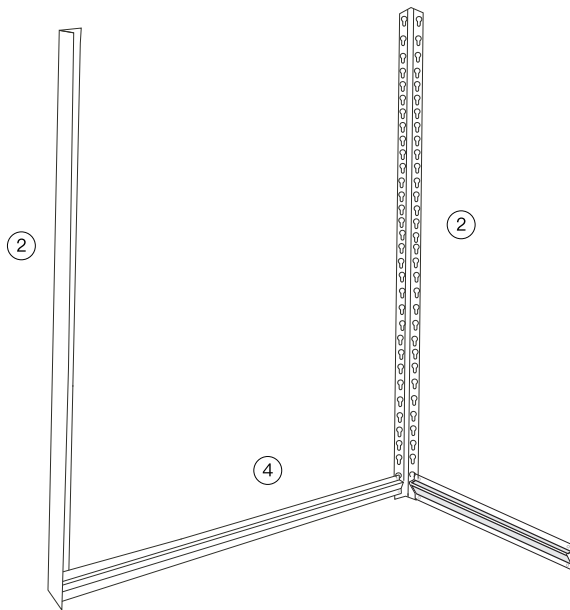
A: Make sure small holes on the long vertical bar facing down.

B: Put the flat side of the board support cross bar (3 & 4) facing up as shown in the picture.

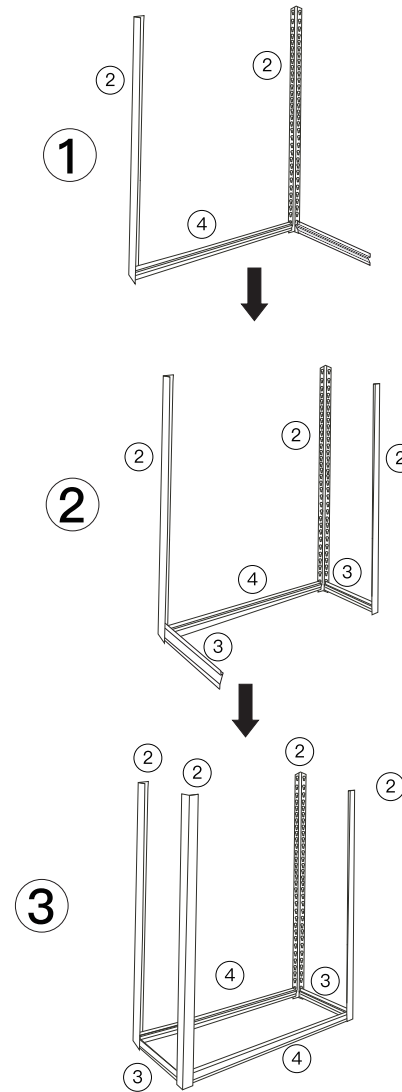
C: Knock on cross bar (3 & 4) with rubber hammer until the bar covered the small holes completely.



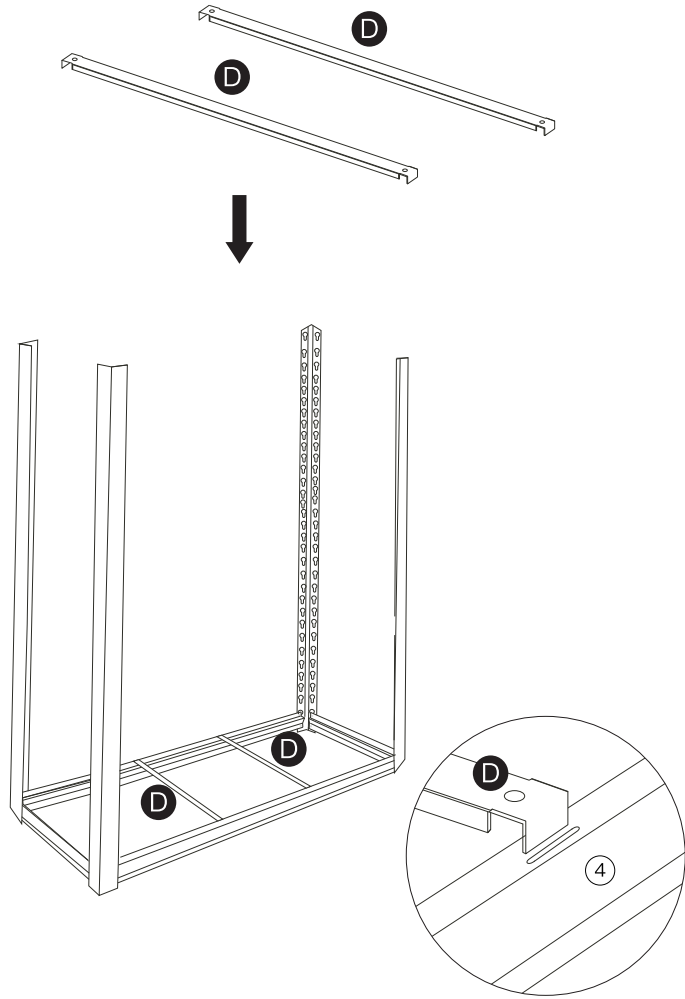
Step 3 Connect another long vertical bar (②) with the finished part in the previous step by the cross bar (④).



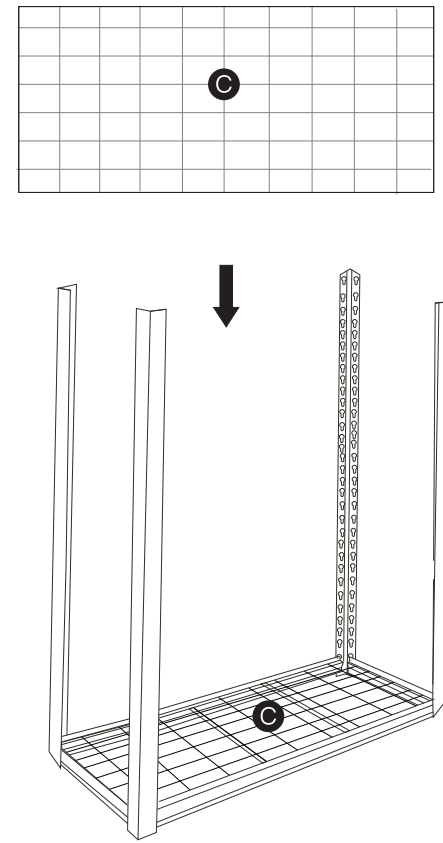
Step 4 Refer to step 2 and step 3, connect the other two vertical bars in turn through the cross bar, as shown in the figure.



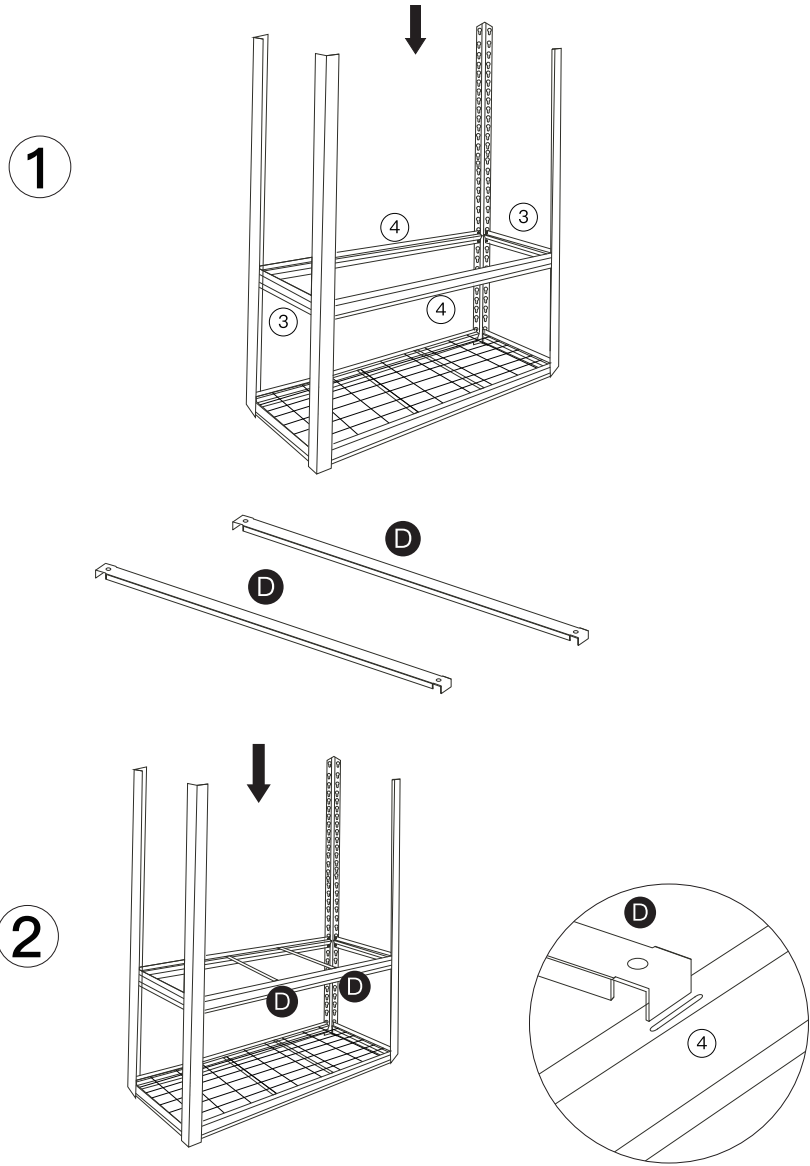
Step 5 Put 2 support bars (D) on the long cross bars as shown above.



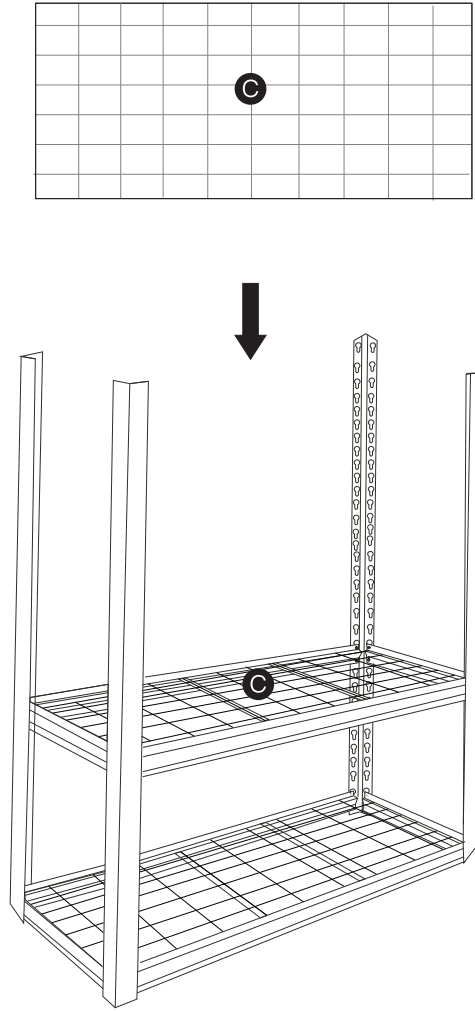
Step 6 Place one piece of metal mesh shelves on the frame.



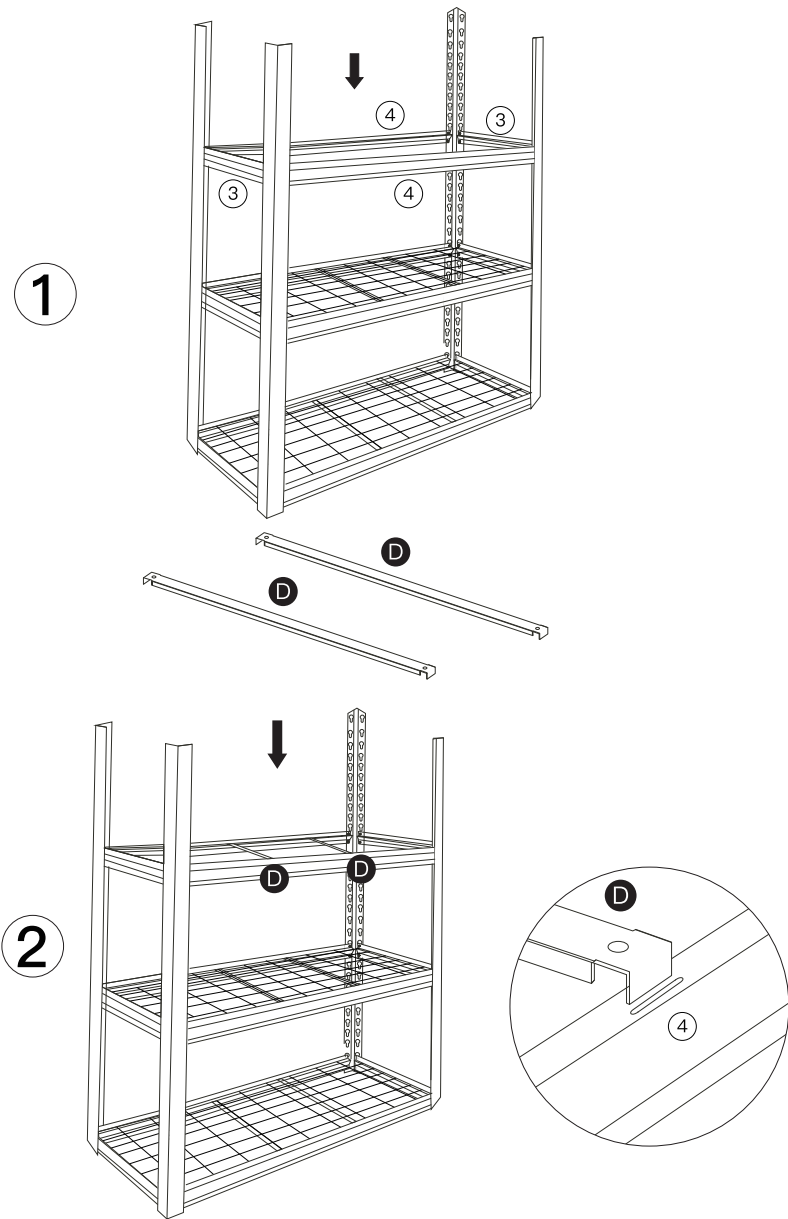
Step 7 Install 2 short cross bars (③) and 2 long cross bars (④) on the finished part, as shown in the figure. Put 2 support bars (D) on the long cross bars as shown above.



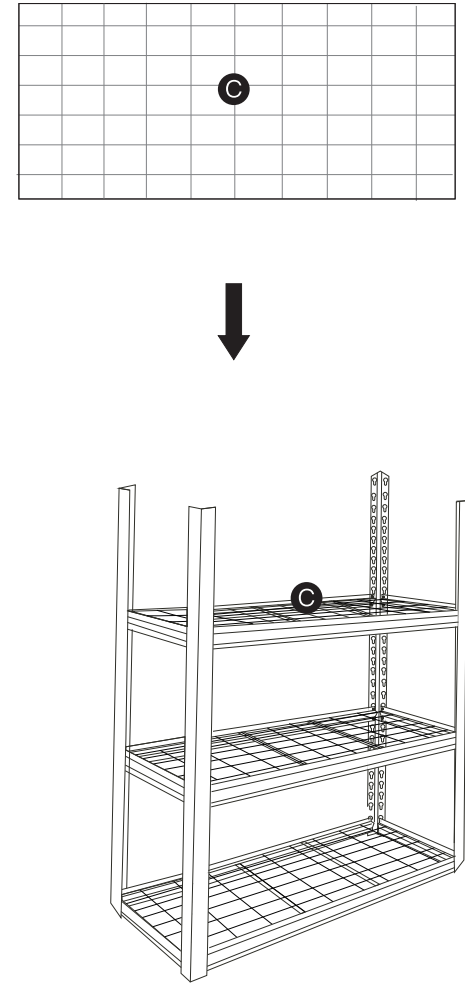
Step 8 Place one piece of metal mesh shelves on the frame.



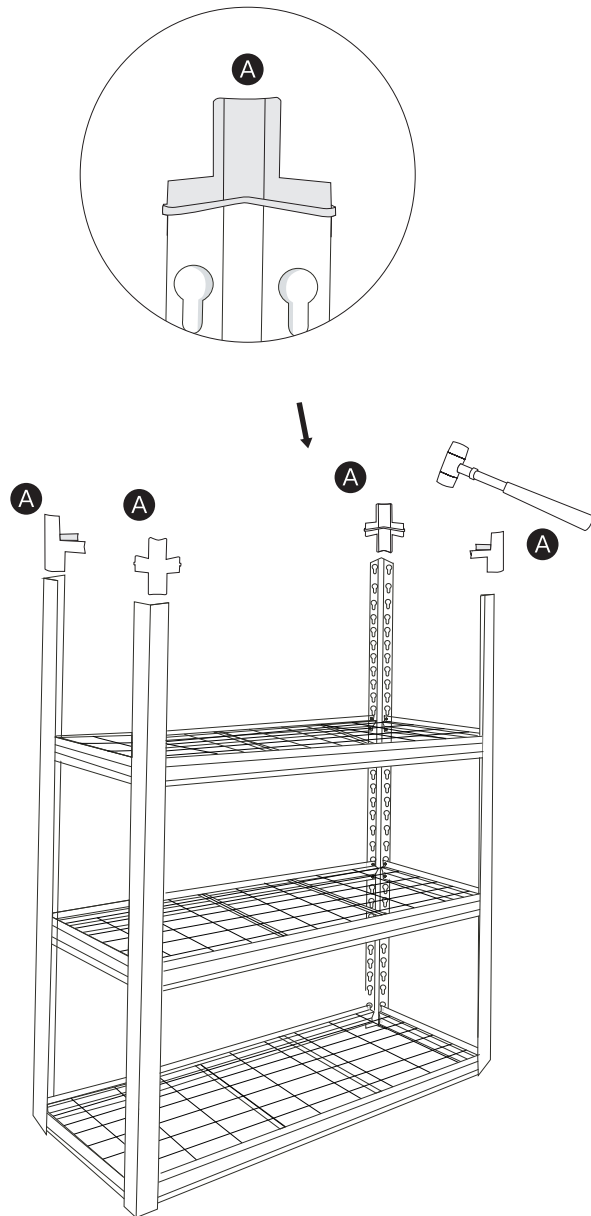
Step 9 Install 2 short cross bars (③) and 2 long cross bars (④) on the finished part, as shown in the figure. Put 2 support bars (D) on the long cross bars as shown above.



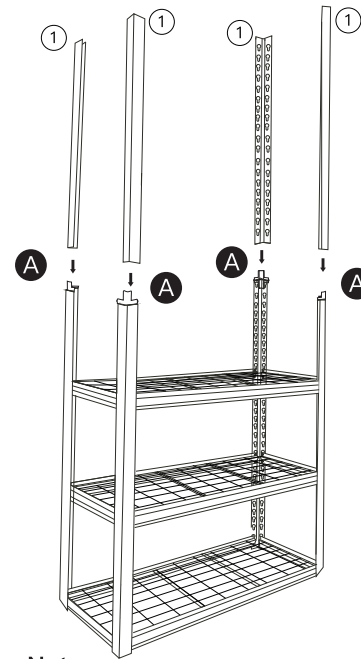
Step 10 Place one piece of metal mesh shelves on the frame.



Step 11 Use the rubber hammer to knock down the 4 connectors (A).

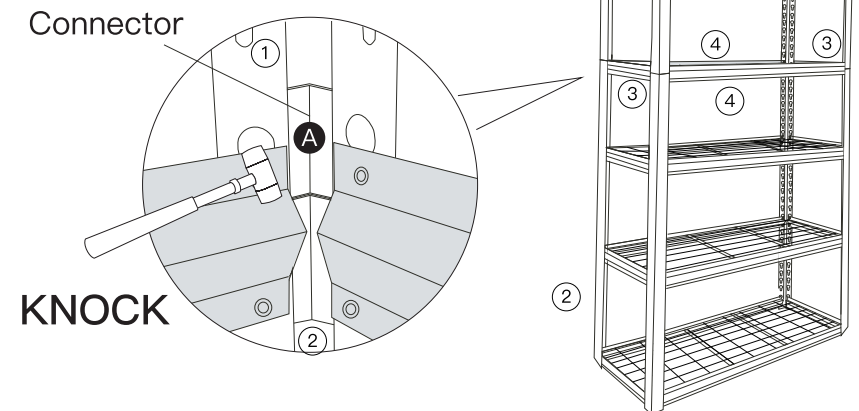


Step 12 Connect the short vertical bars (1) to the finished frame by 4 connectors (A), then connect the cross bars (3 & 4) as below.

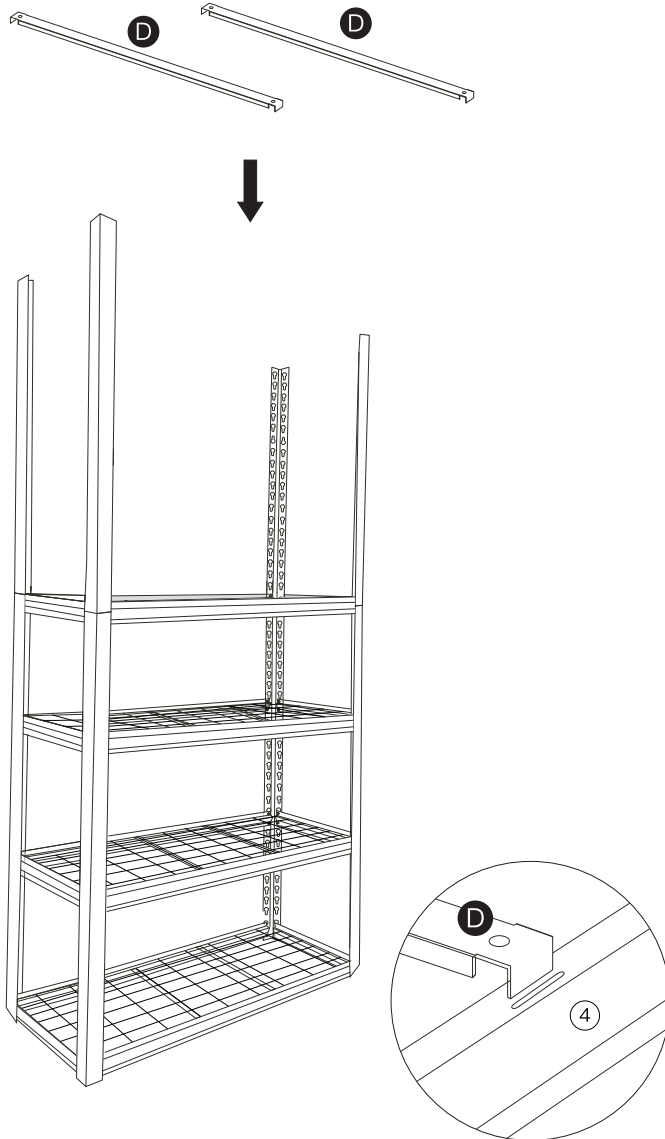


Note:

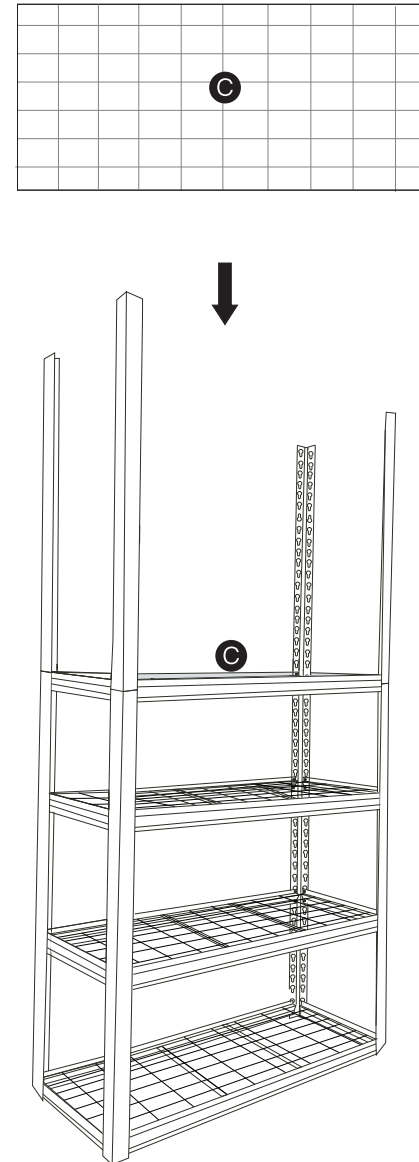
Crossbars (3 & 4) need to be installed between the upper and lower vertical bars (1 & 2).



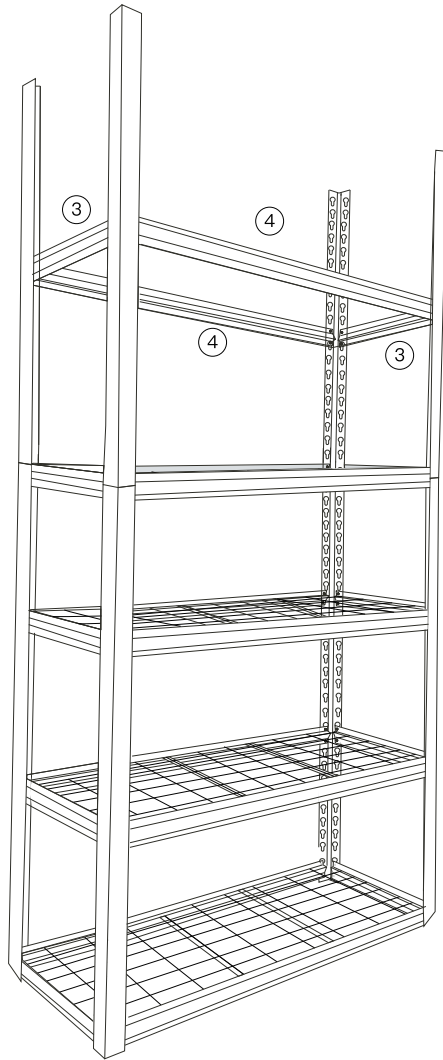
Step 13 Put 2 support bars (D) on the long cross bars as shown above.



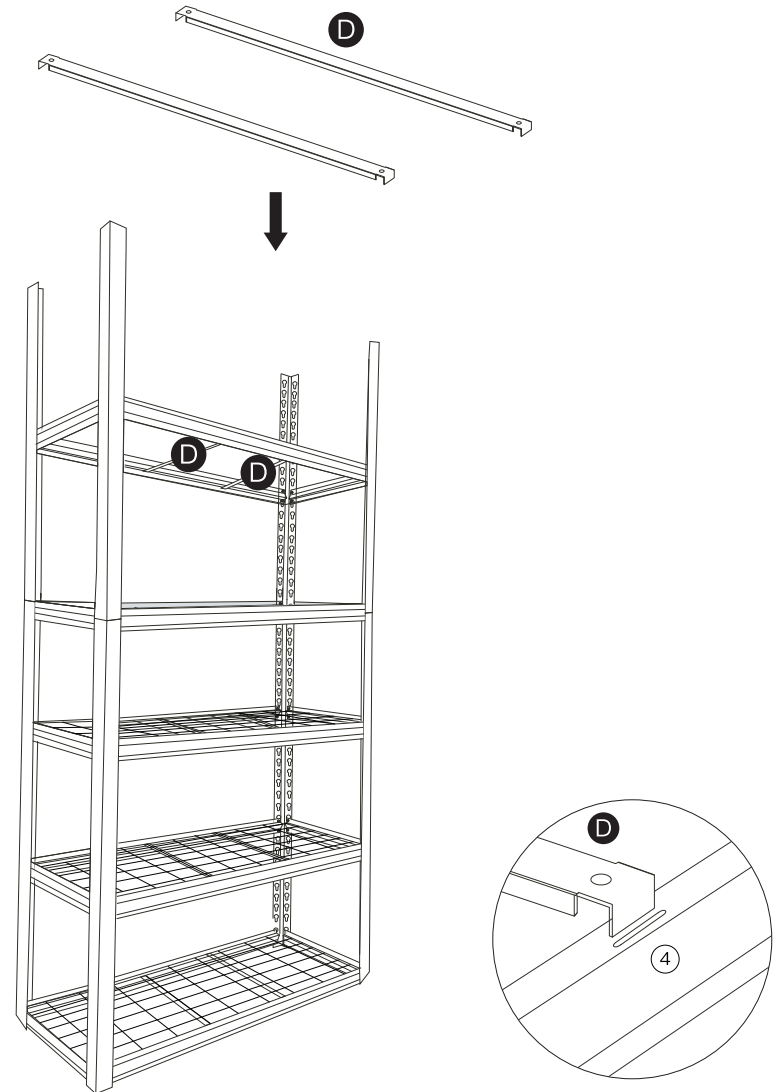
Step 14 Place one piece of metal mesh shelves on the frame.



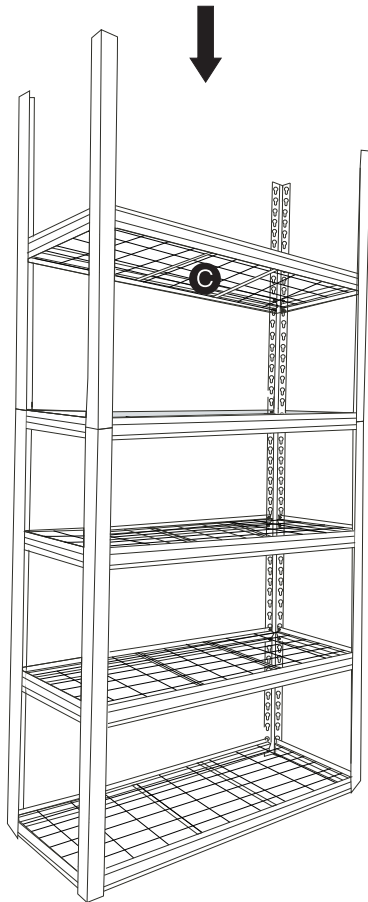
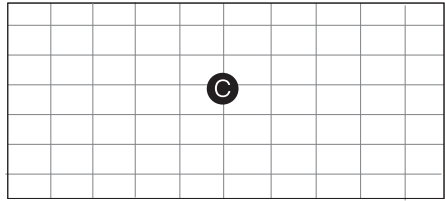
Step 15 Install 2 short cross bars (③) and 2 long cross bars (④) on the finished part, as shown in the figure.



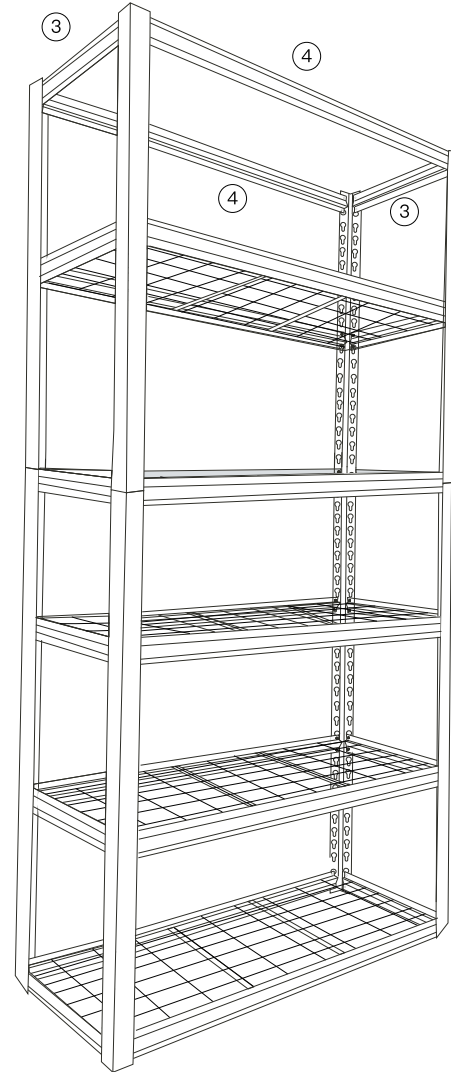
Step 16 Put 2 support bars (D) on the long cross bars as shown above.



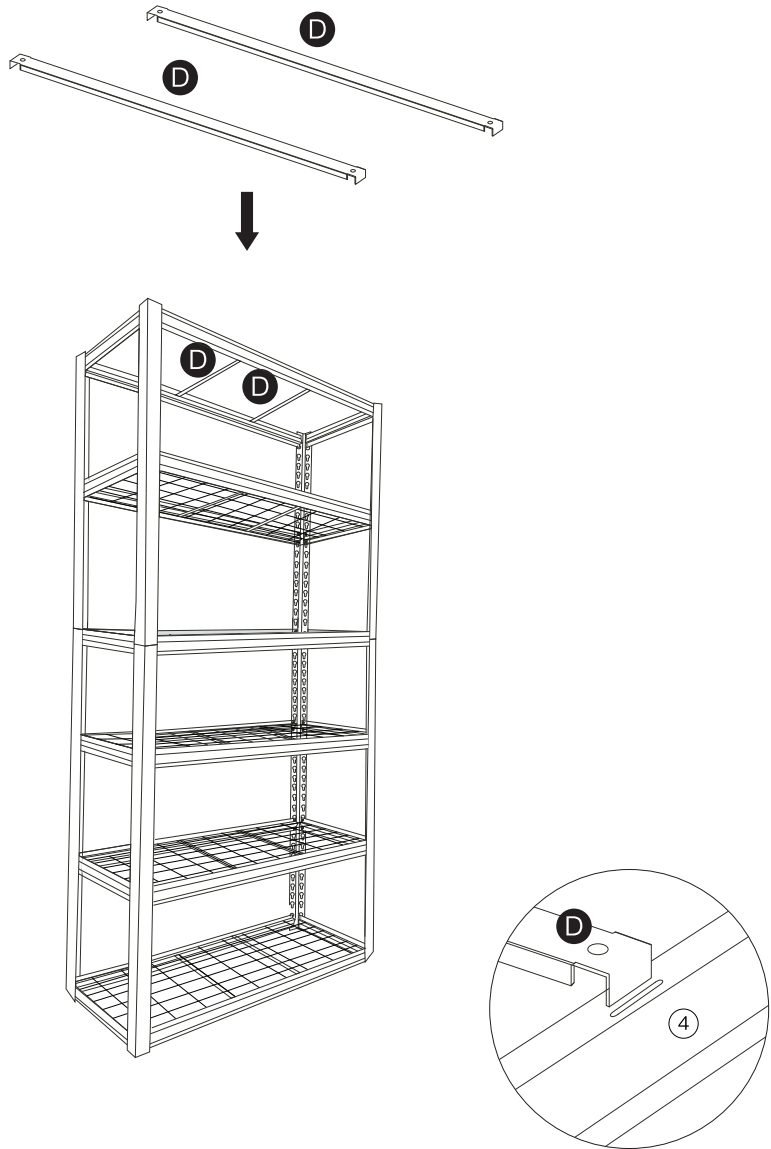
Step 17 Place one piece of metal mesh shelves on the frame.



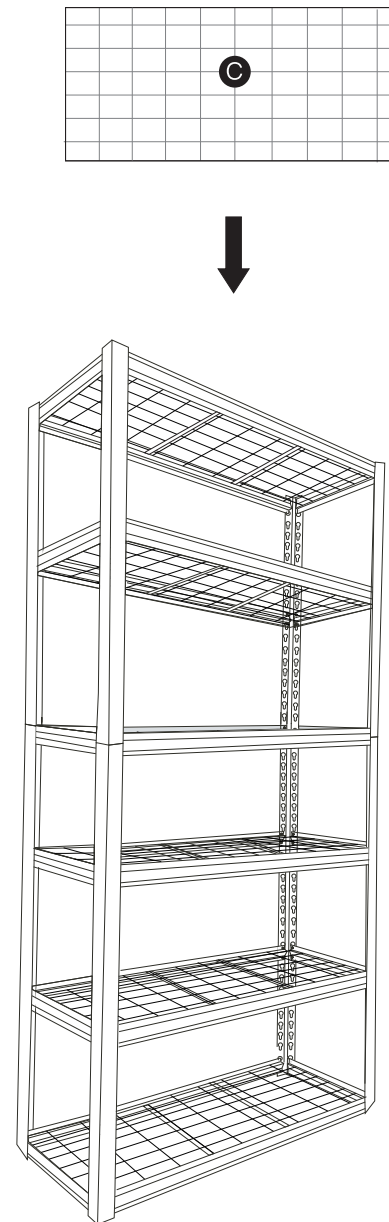
Step 18 Install 2 short cross bars (③) and 2 long cross bars (④) on the finished part, as shown in the figure.



Step 19 Put 2 support bars (D) on the long cross bars as shown above.



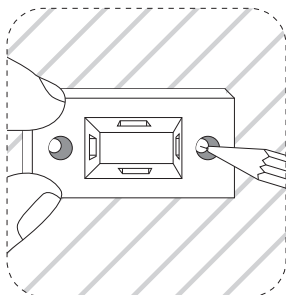
Step 20 Place one piece of metal mesh shelves on the frame.



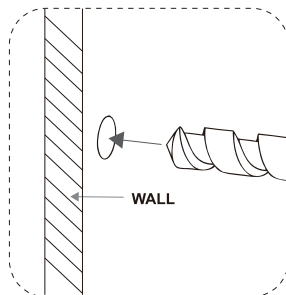
Step 21 (Optional) Install the anti-tip kit (part **E**) to keep the rack maximum stable.

NOTICE

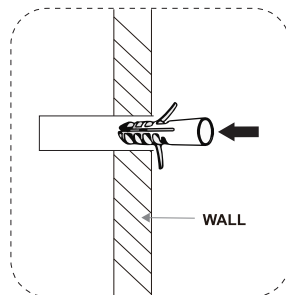
For maximum safety, please install all 4 anti-tip kit, and the strips of anti-tip kit should cross the upper and lower vertical bars.



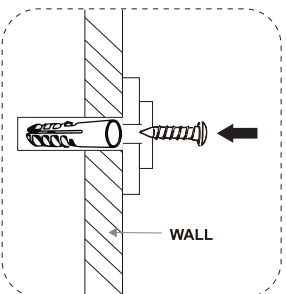
(1) Mark the location of bolt hole.



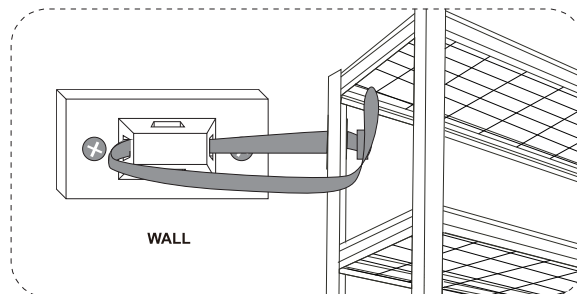
(2) Drill holes at marked location.



(3) Press the protective bolts in the wall.



(4) Fix the safety lock on the wall with bolts.



(5) Get the safety belts cross the lock and shelves, then get fastened.