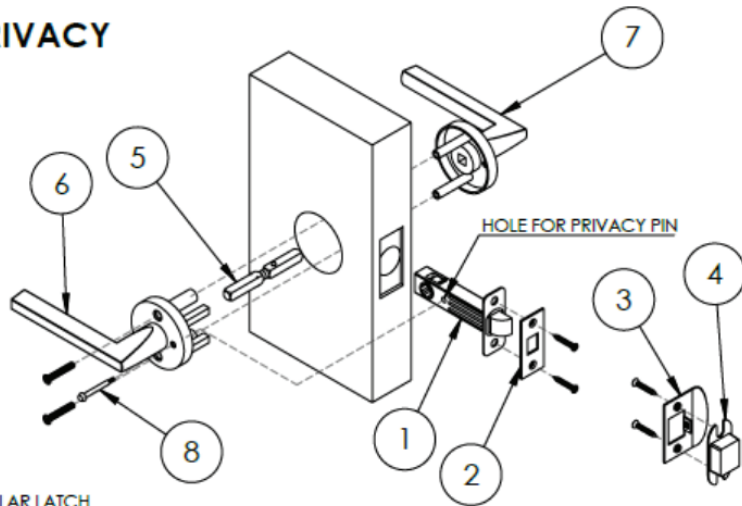
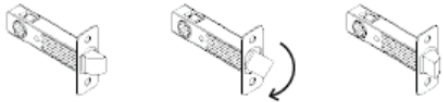


## PRIVACY

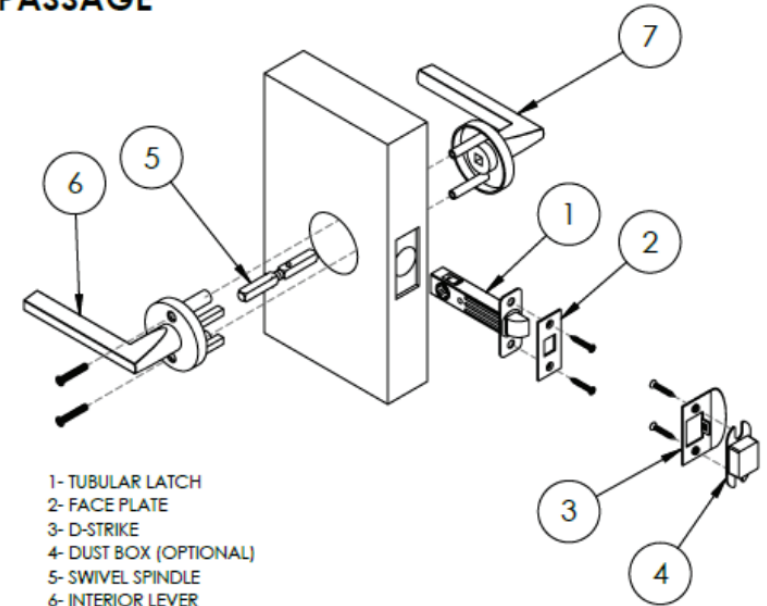


- 1- TUBULAR LATCH
- 2- FACE PLATE
- 3- D-STRIKE
- 4- DUST BOX (OPTIONAL)
- 5- SWIVEL SPINDLE
- 6- INTERIOR LEVER
- 7- EXTERIOR LEVER
- 8- PRIVACY PIN

### HOW TO SWIVEL LATCH TONGUE FOR HANDING

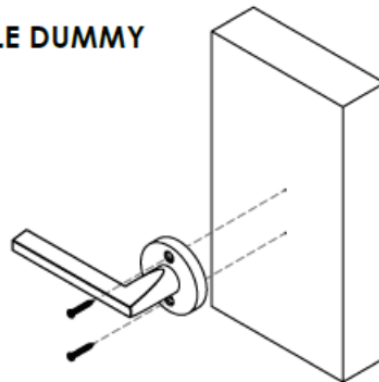


## PASSAGE



- 1- TUBULAR LATCH
- 2- FACE PLATE
- 3- D-STRIKE
- 4- DUST BOX (OPTIONAL)
- 5- SWIVEL SPINDLE
- 6- INTERIOR LEVER
- 7- EXTERIOR LEVER

## SINGLE DUMMY



\*Crystal knob must be removed from round/square backplate before installing through bolt screws into the backplate. Once screws are tightened, then the crystal knob can be installed onto the plate and tightened by Allen key.

