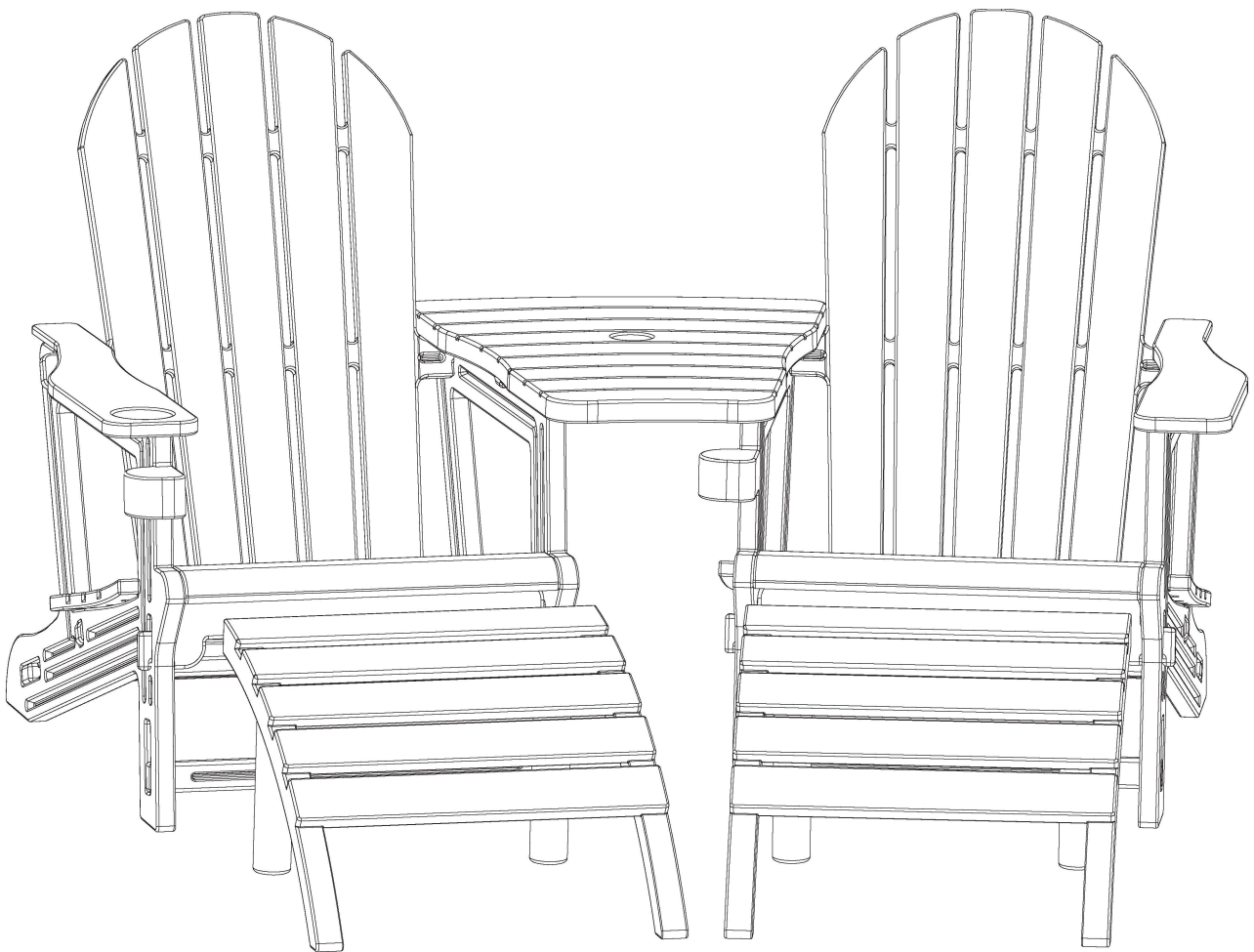


# Instruction Manual

## Outdoor Poly Adirondack Chair Set with Connecting Tray & Cup Holder & Ottoman

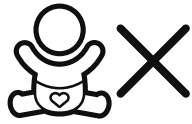


Thank you for shopping with us!

If any parts is missing, broken upon receipt or you need any help from us.

For the FASTEST solutions, please FIRSTLY CONTACT US.

# Notes



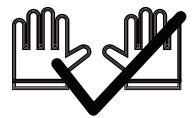
Not intended for use by children. Please keep your children closely supervised.



Keep away from fire or other heat sources.



Do not use harsh cleaner for cleaning!

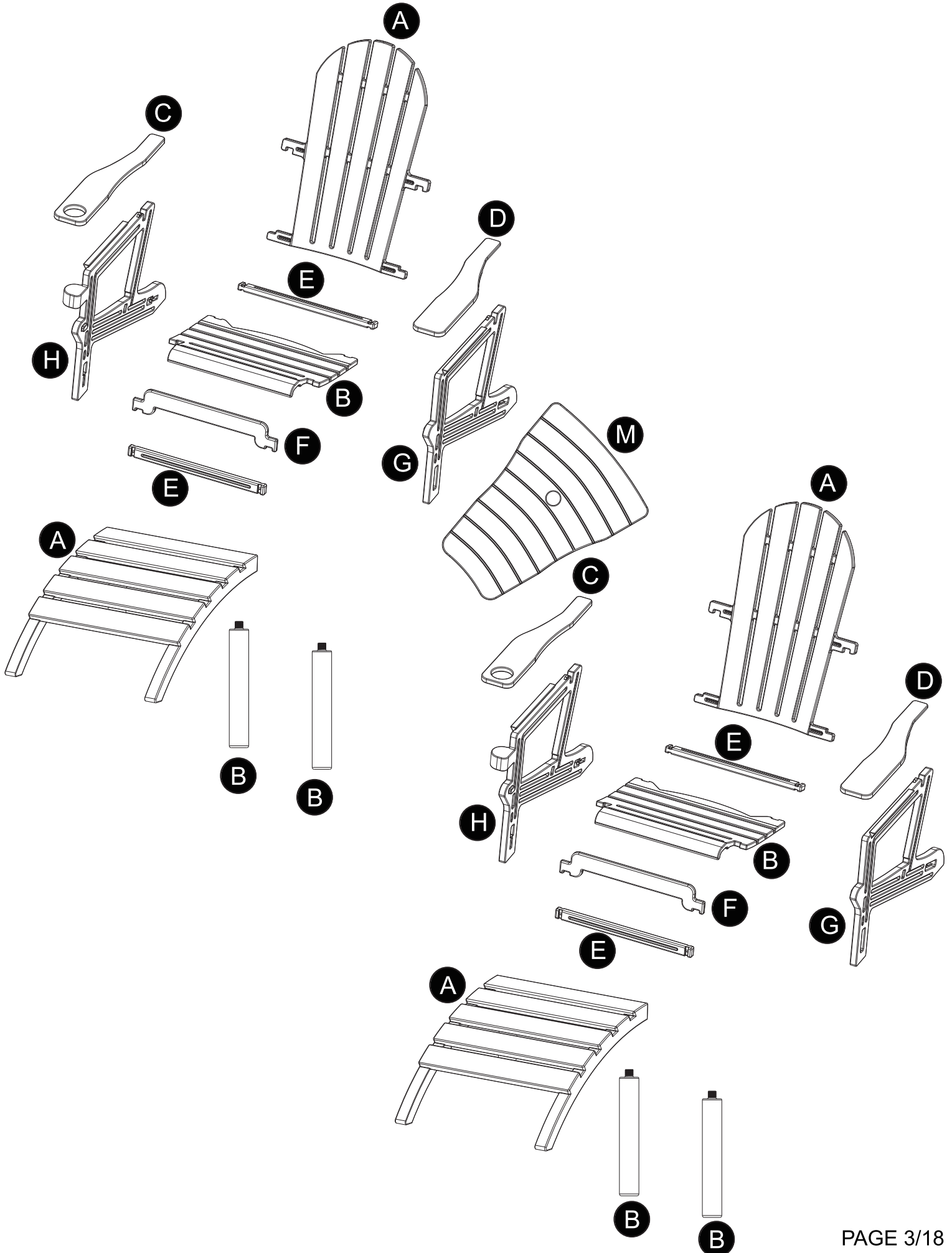


We recommend wearing protective gloves for assembly.

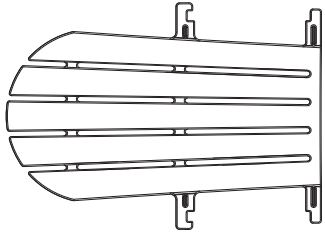


Identify, sort and count the parts before assembly.

# Exploded View

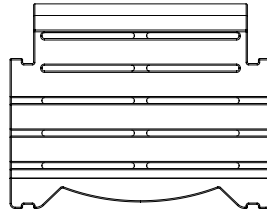


# Parts List



**A** X2

BACKREST



**B** X2

CHAIR SEAT



**C** X2

RIGHT ARM



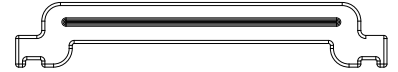
**D** X2

LEFT ARM



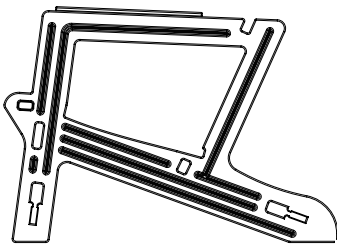
**E** X4

RAIL



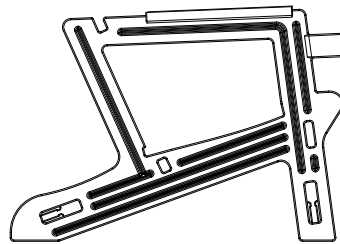
**F** X2

SUPPORTING RAIL



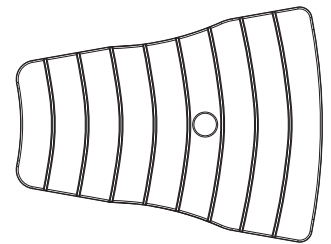
**G** X2

LEFT LEG



**H** X2

RIGHT LEG



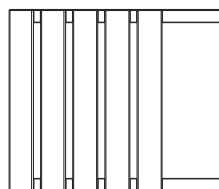
**M** X1

CONNECTING TRAY



**J** X1

RUBBER Mallet



**A** X2

OTTOMAN TOP

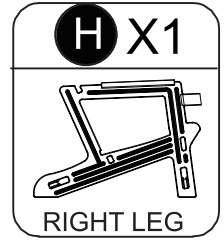
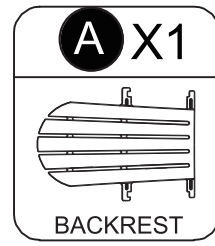


**B** X4

OTTOMAN LEG

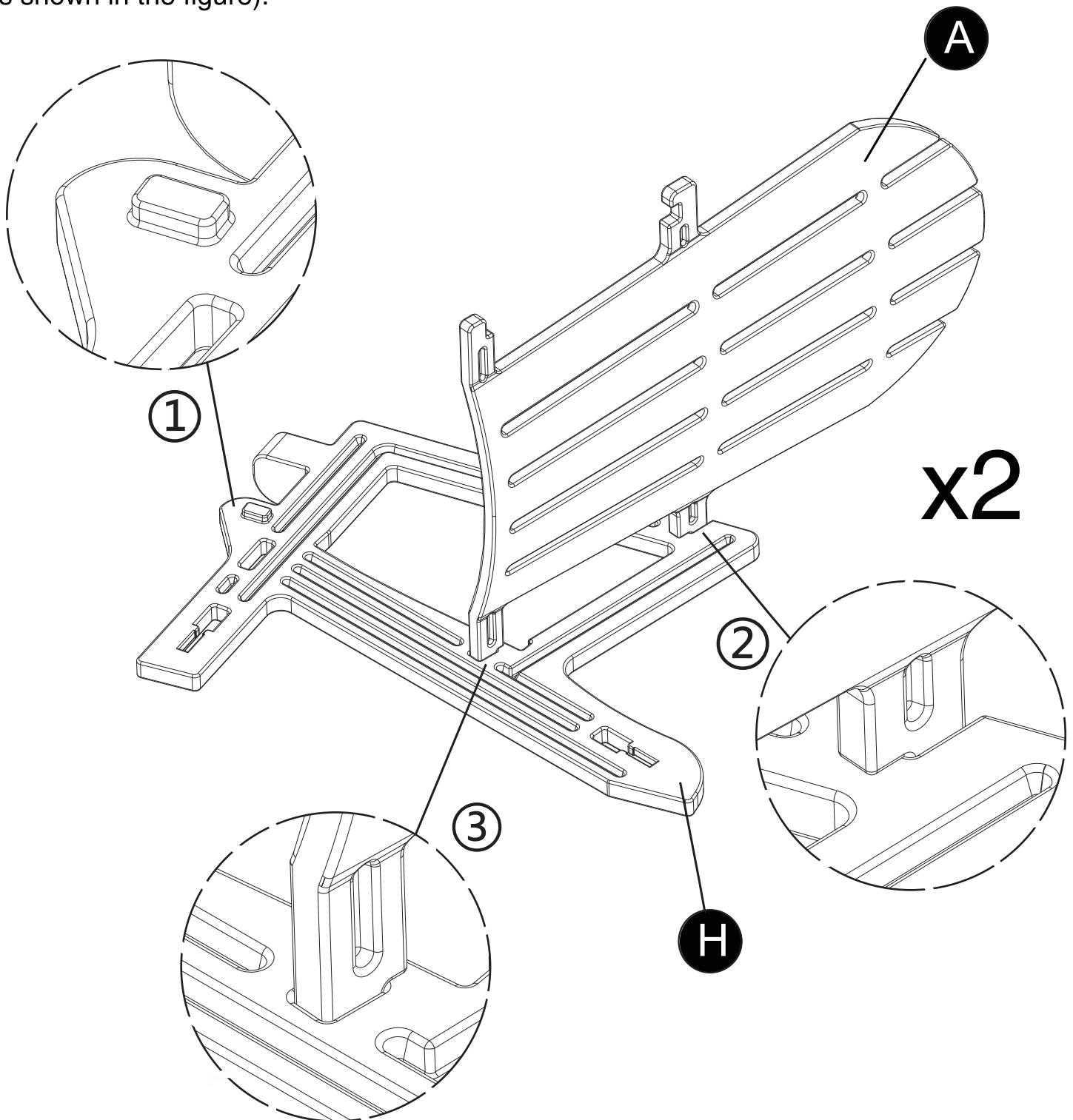


# Step 1



Assemble the backrest (Part A) and the right foot leg 1 (Part H).

1. Place the right foot leg flat on the ground with the protruding side facing upward (as shown in the figure).
2. First, connect the middle connector of the backrest to the slot on the right foot leg (as shown in the figure).
3. Then, insert the lower right connector of the backrest into the hole on the right foot leg (as shown in the figure).





## Step 2

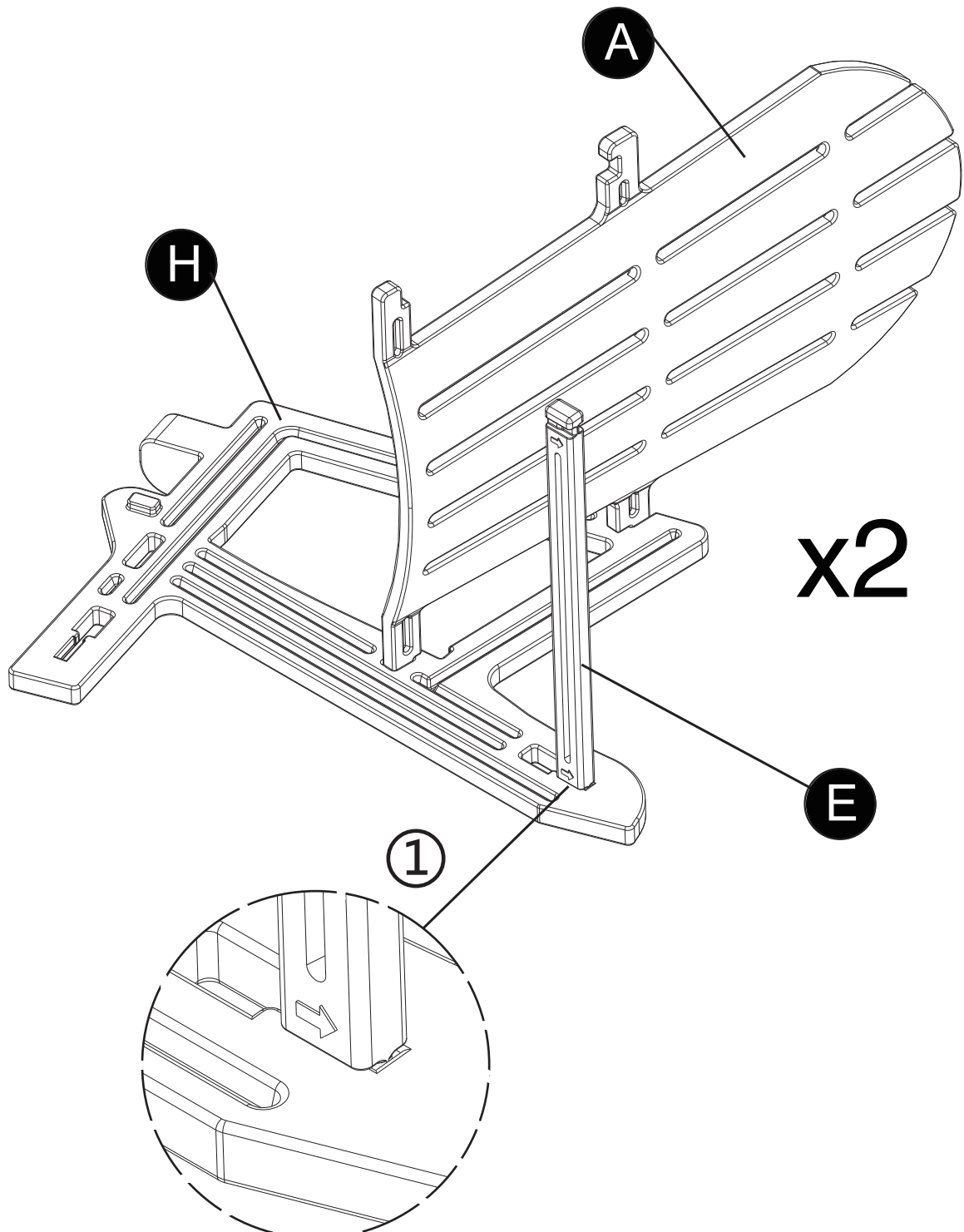
**E** X1



RAIL

### Assemble the rear stabilizing crossbar (Part E).

1. Insert the stabilizing crossbar with the arrow side facing downward and the arrow pointing backward into the slot on the right foot leg, then press it backward to lock it into place (as shown in the figure).



Arrow points backward



# Step 3

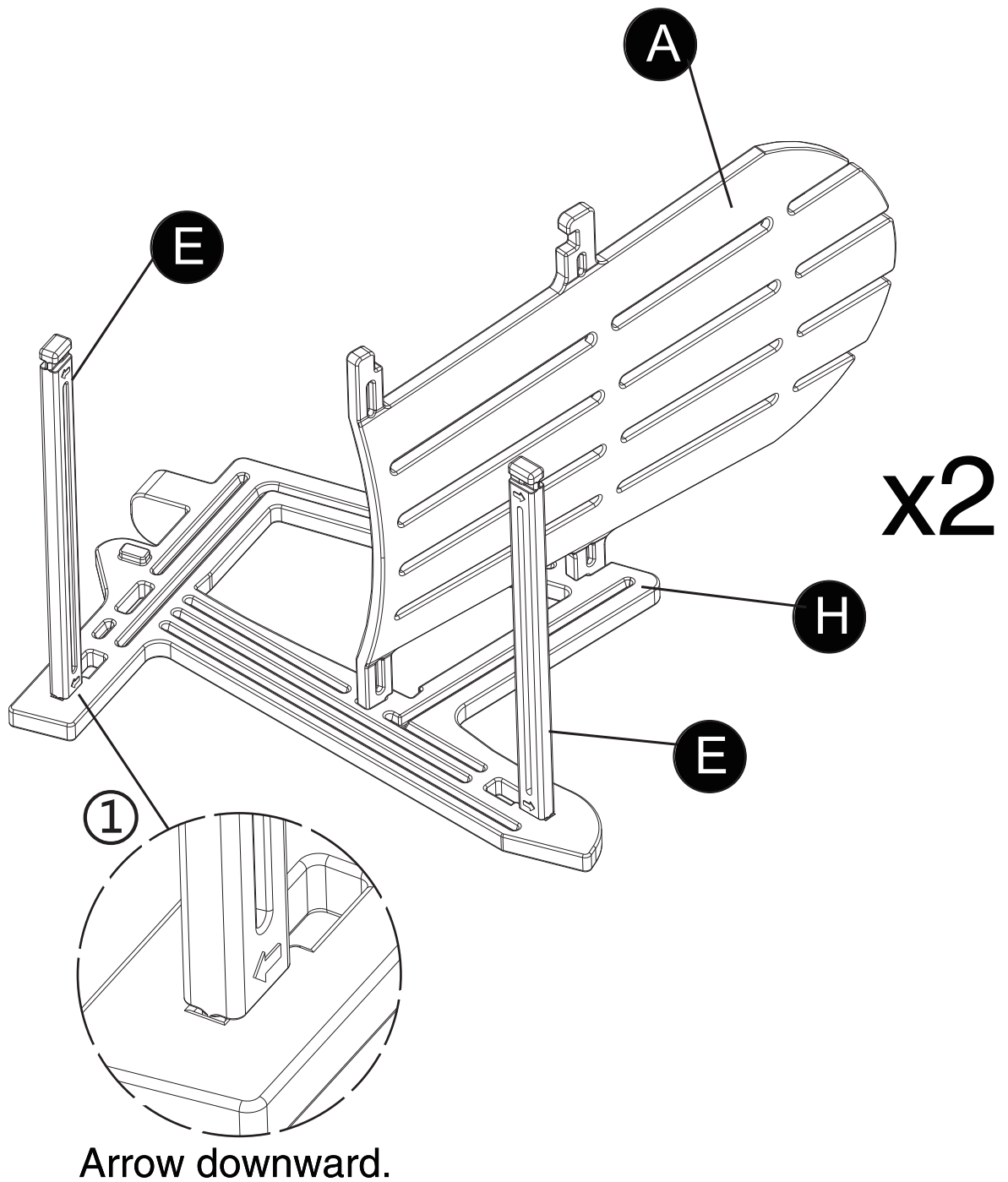
**E** X1



RAIL

## Assemble the front stabilizing crossbar (Part E)

- 1: Insert the stabilizing crossbar with the arrow side facing inward and the arrow pointing downward into the corresponding slot on the right foot leg. Press it downward to lock it into place (as shown in the figure).



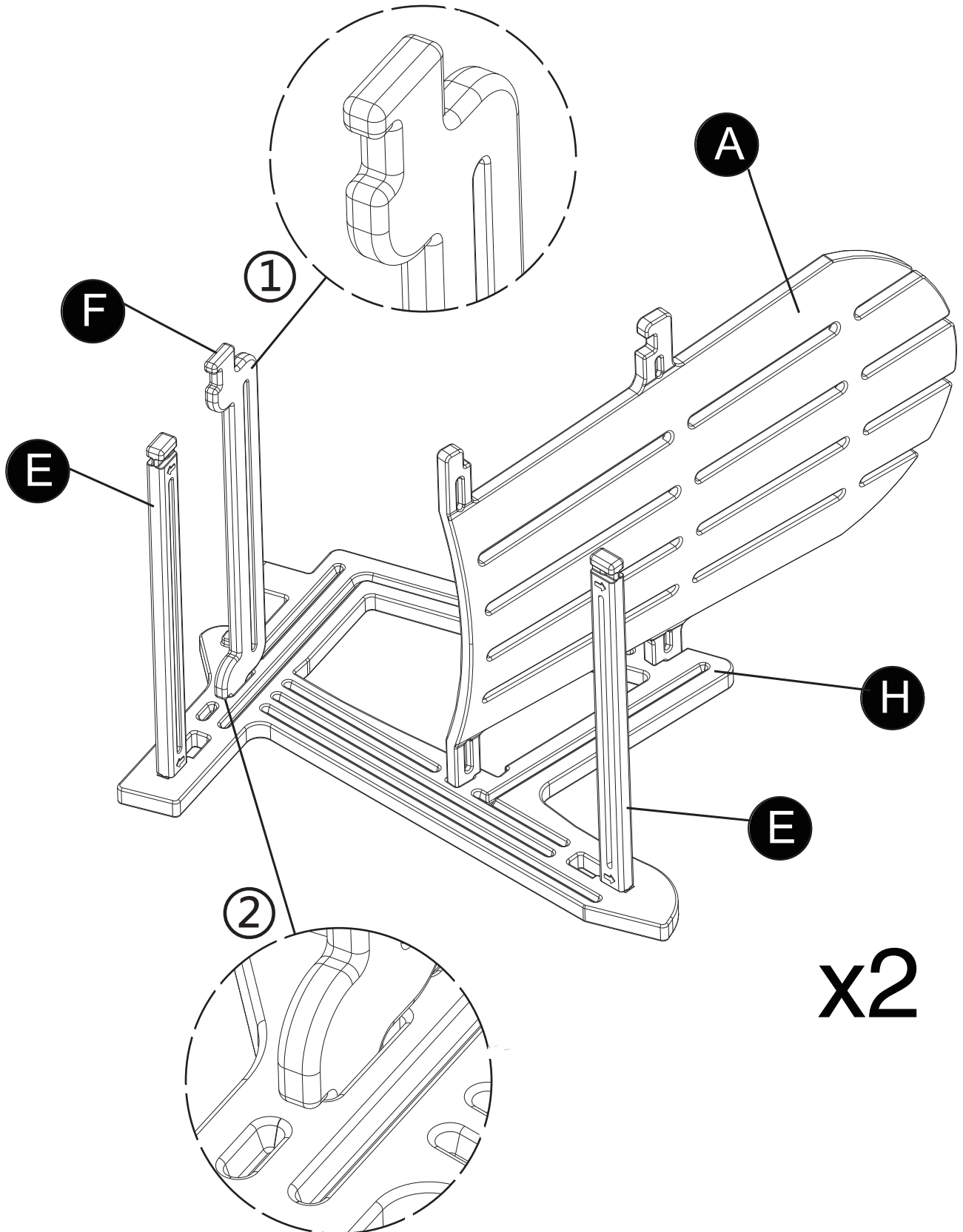
## Step 4

**F** X1



### Assemble the front crossbar (Part F)

1. Keep the front crossbar with the notch facing downward (as shown in the figure).
2. Insert the front crossbar downward into the corresponding slot on the right foot leg, then press it downward to lock it into place (as shown in the figure).



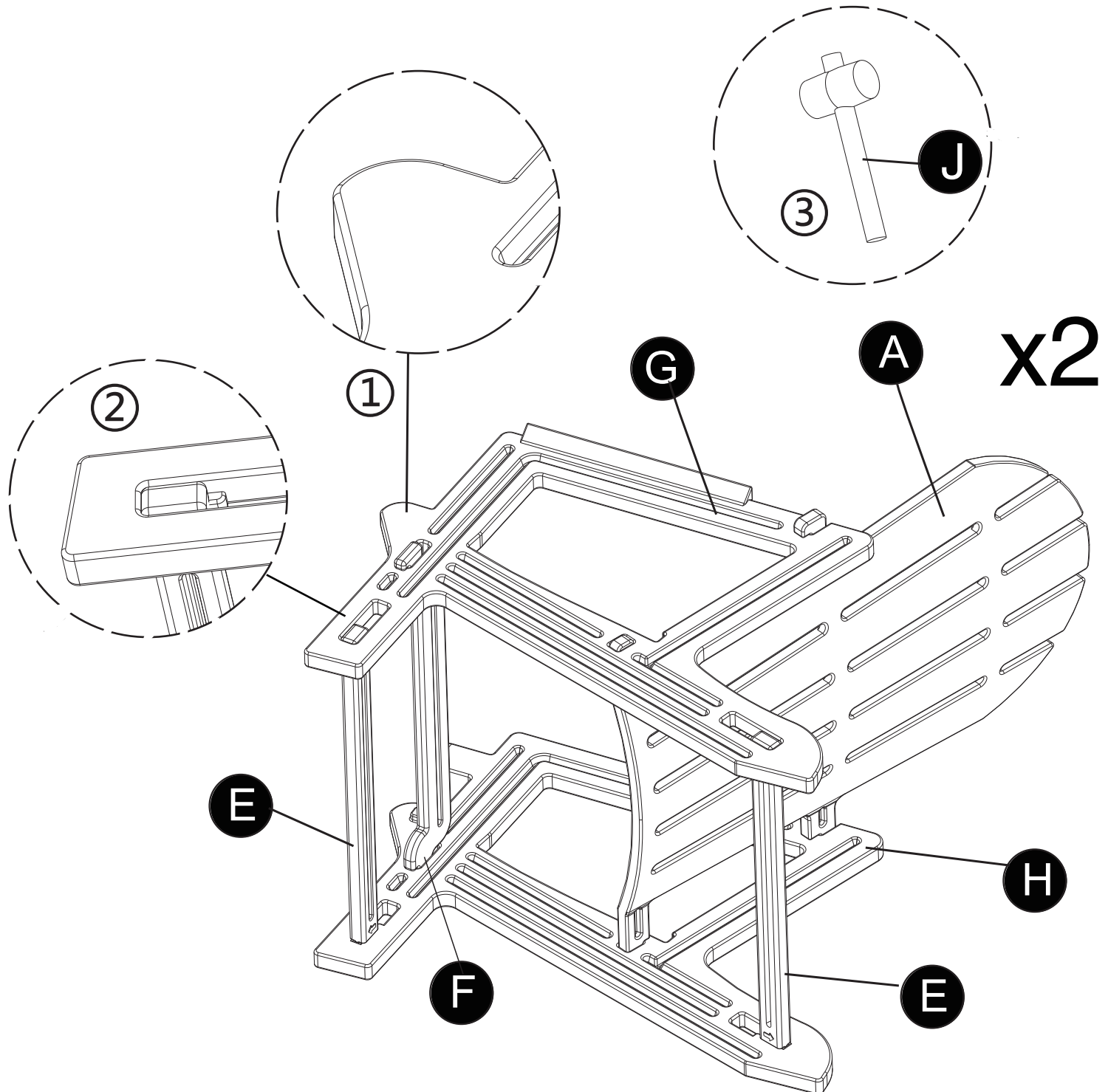


## Step 5



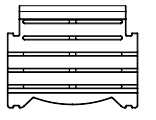
### Assemble the left foot leg (Part G)

1. Observe the left foot leg. Position it with the flat surface facing upward as indicated in the diagram. Then insert the other components into their corresponding slots on the left foot leg (as shown in the figure).
2. Use a hammer tool to complete assembly more easily.



## Step 6

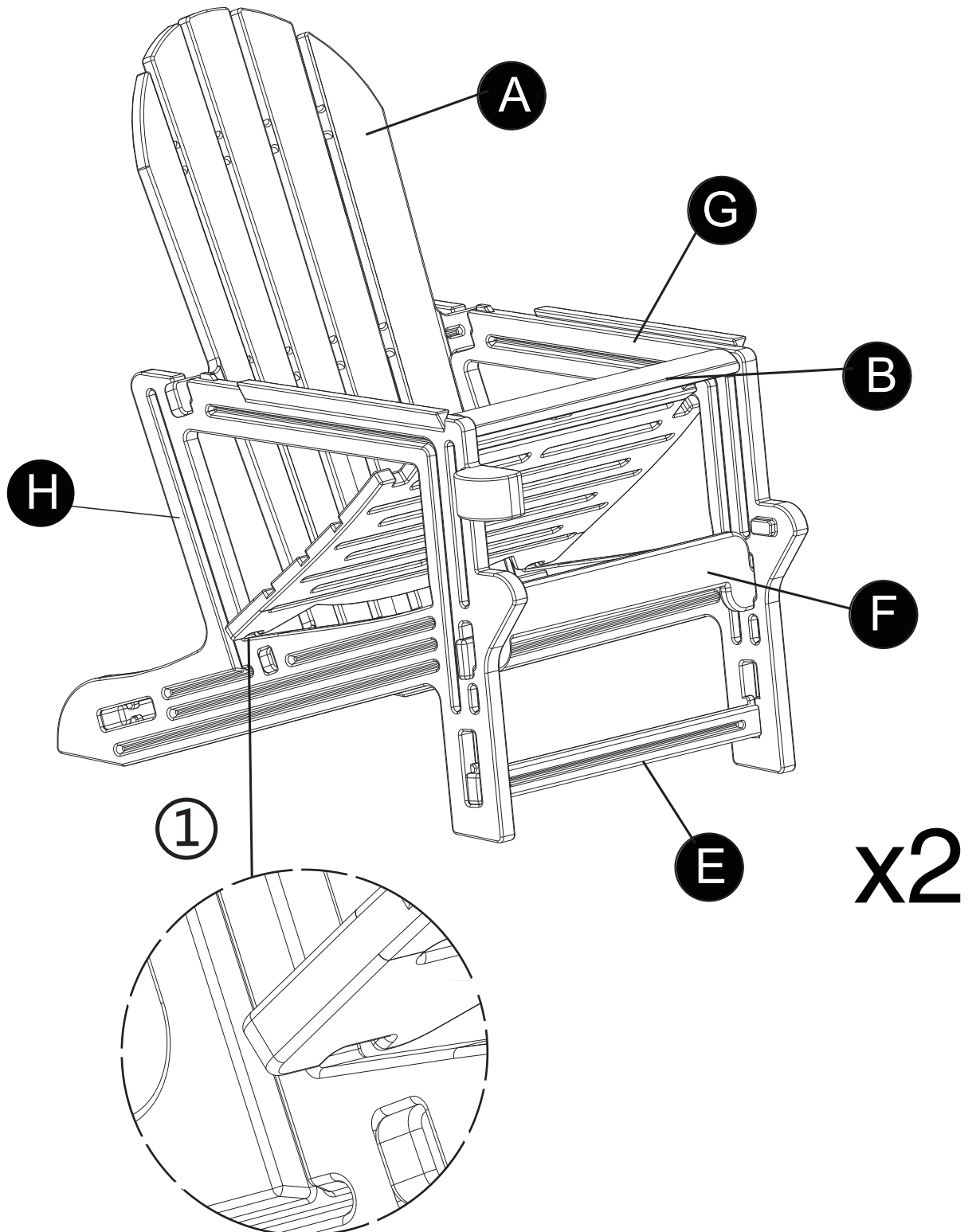
**B** X1



CHAIR SEAT

### Assemble the seat board (Part B)

1. Tilt the seat board and pass it through the gap between the leg frames. Align the notch to catch onto the leg frame, then press the seat board flat downward (as shown in the figure).





# Step 7

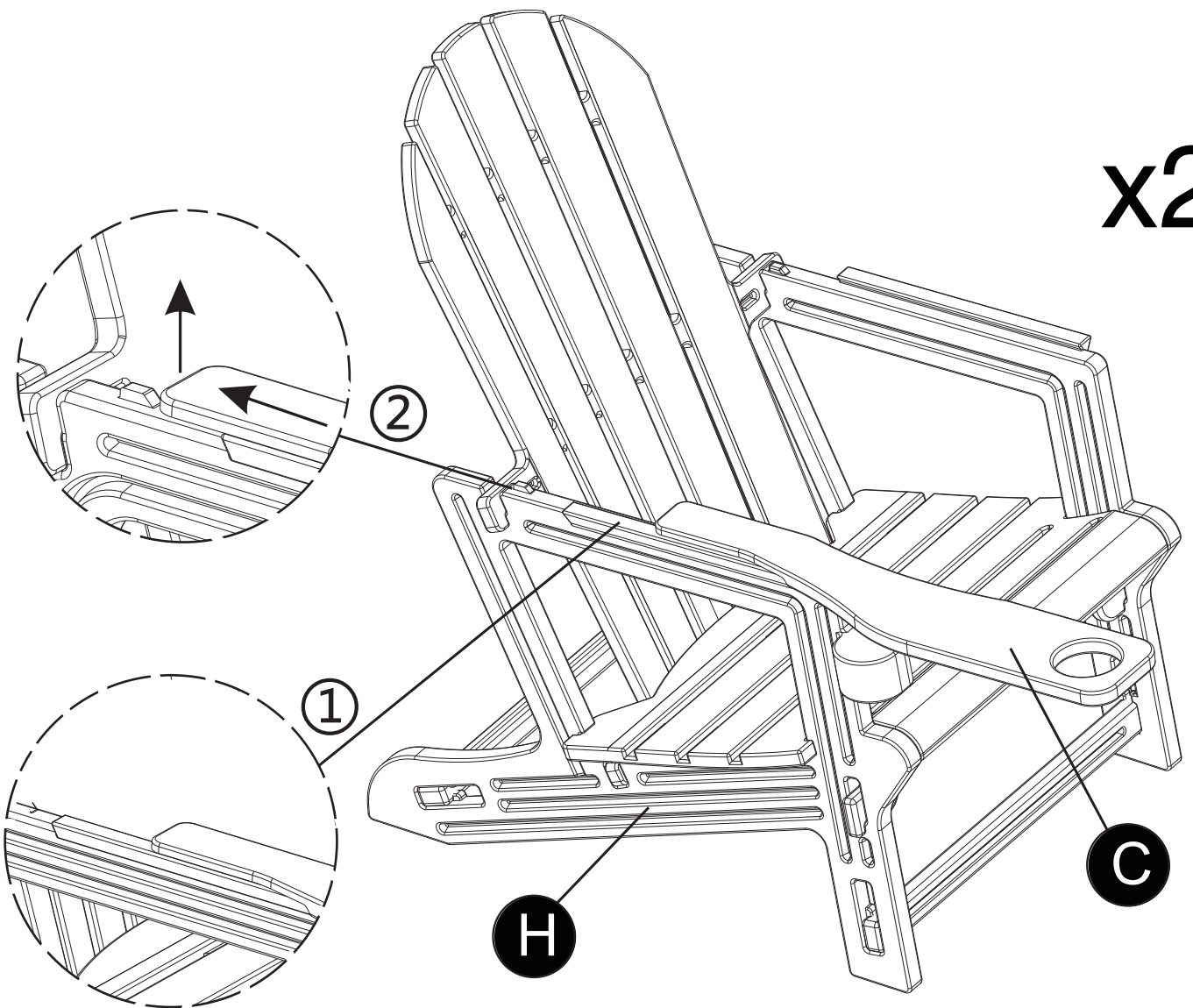
**C** X1

RIGHT ARM

## Assemble the Right Armrest 1 (Part C).

1. Position the armrest with the front side facing upward, align its slot with the corresponding fastener on the foot leg, and push it horizontally inward (as shown in the figure).
2. When the armrest is pushed to the position of the foot leg's locking tab, slightly lift up the front end of the armrest and continue pushing it inward until the locking tab snaps into the slot of the armrest (as shown in the figure).

x2



## Step 8

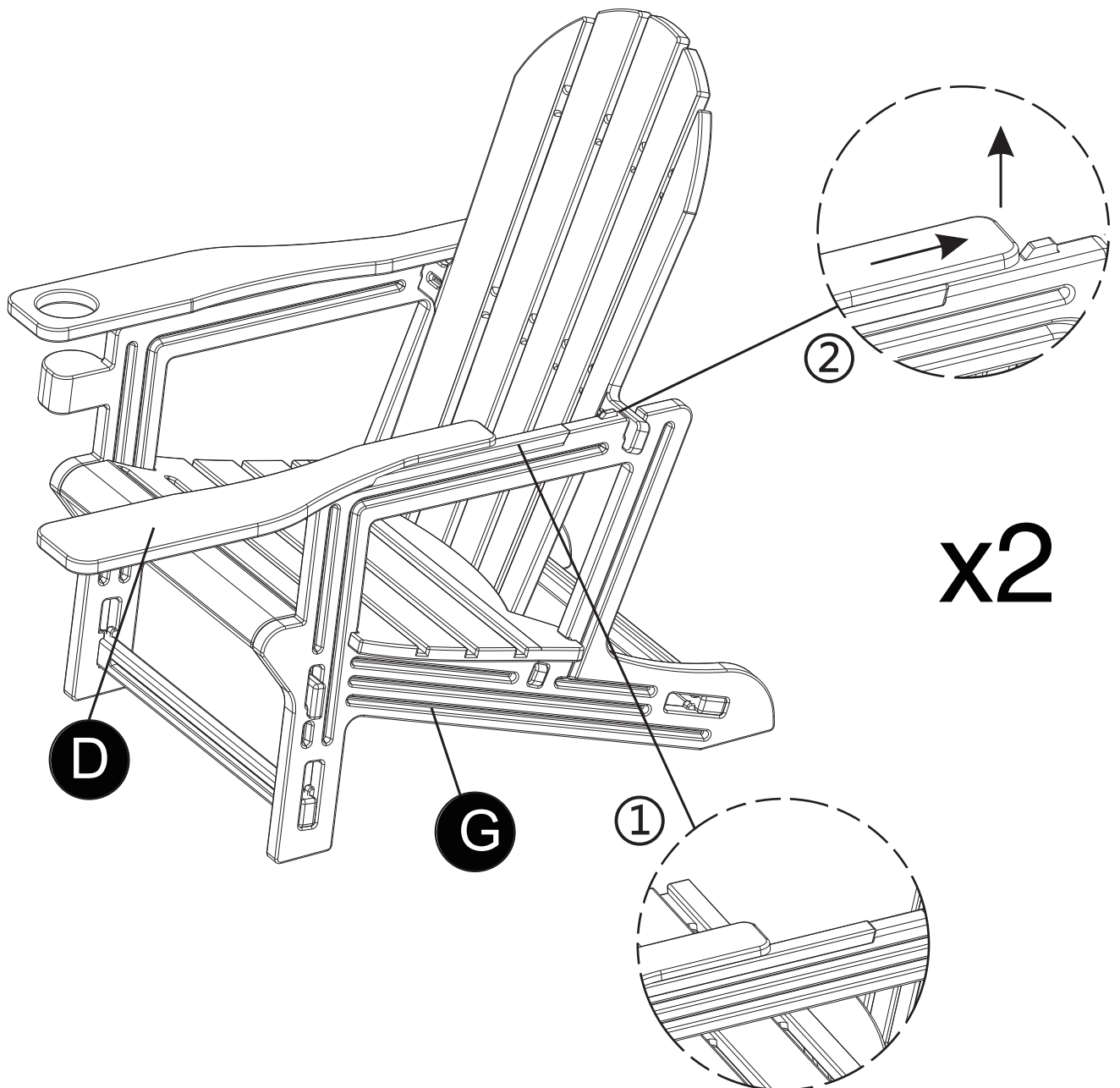
**D** X1



LEFT ARM

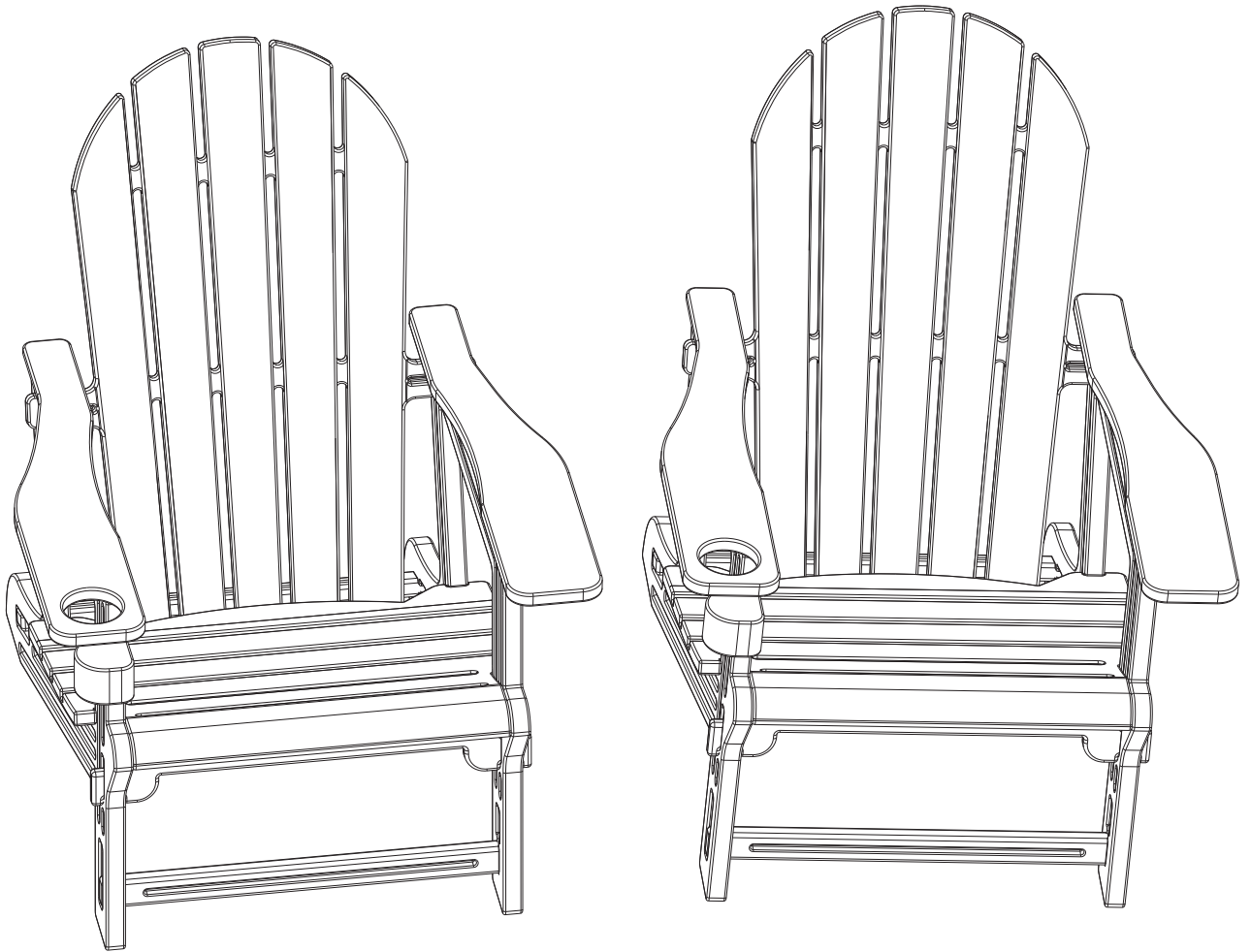
### Assemble the Left Armrest 1 (Part D).

1. Position the armrest with the front side facing upward, align its slot with the corresponding fastener on the foot leg, and push it horizontally inward (as shown in the figure).
2. When the armrest is pushed to the position of the foot leg's locking tab, slightly lift up the front end of the armrest and continue pushing it inward until the locking tab snaps into the slot of the armrest (as shown in the figure).



## Step 9

1. Assemble and arrange the two chairs separately (as shown in the figure).



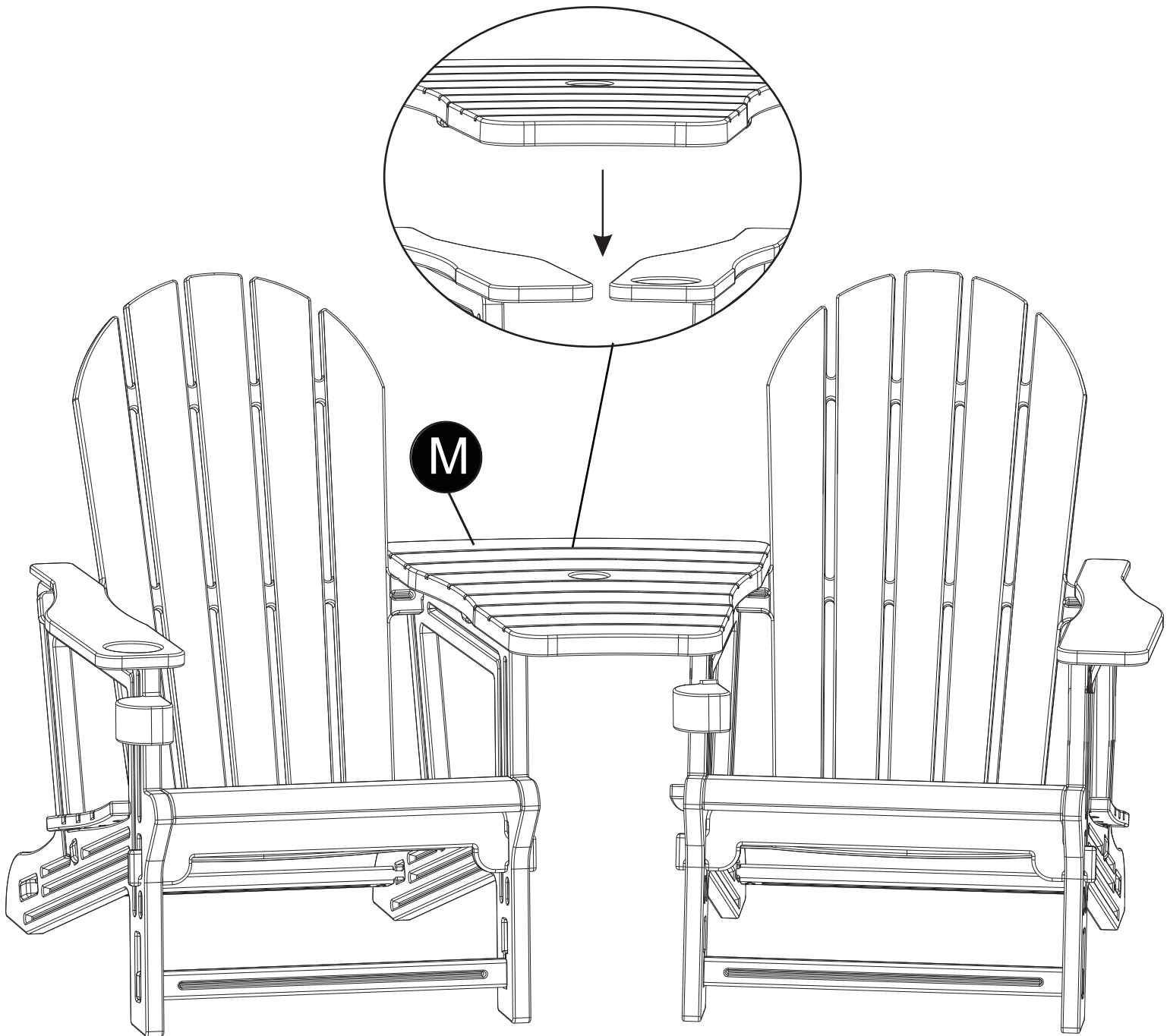
## Step 10

M X1

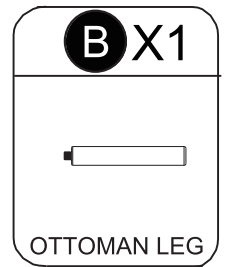
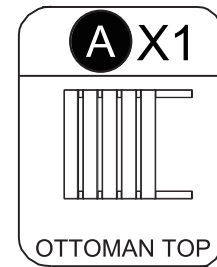


### Assemble the small tabletop (Part M).

1. Position the tabletop with the smaller end facing forward, align the groove on its bottom with the armrest, and press downward to secure the tabletop onto the armrest (as shown in the figure).

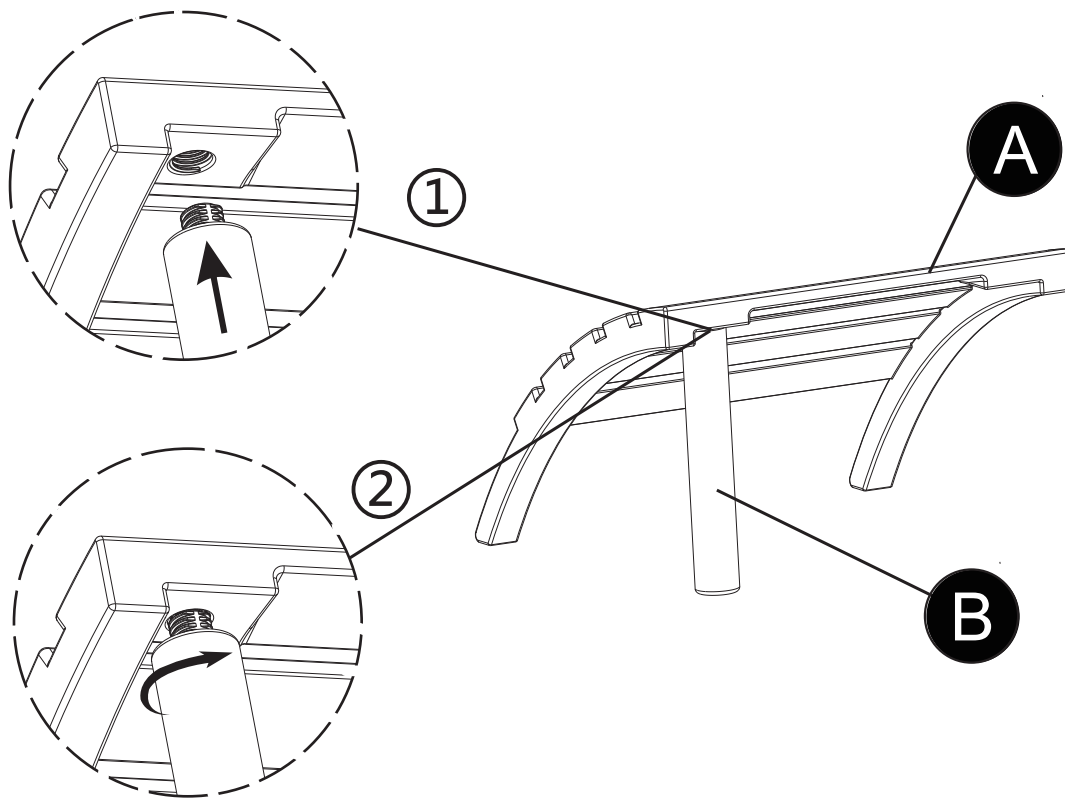


## Step 11



Assemble the footrest (Component A) and the footrest leg (Component B).

1. Align the threaded post of the footrest leg with the threaded hole at the bottom of the footrest (as shown in the figure).
2. Rotate the footrest leg clockwise along the threaded hole until it is firmly tightened (as shown in the figure).



**x2**



## Step 12

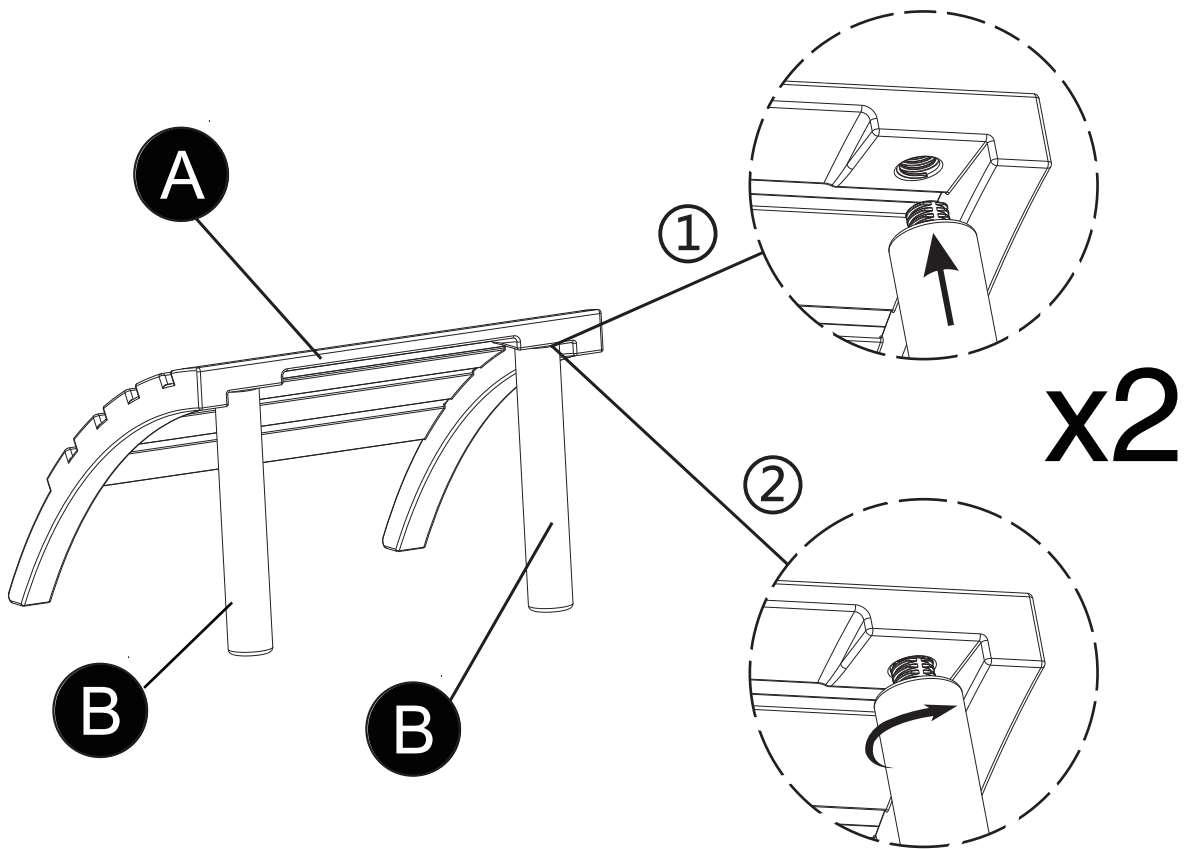
**B** X1



OTTOMAN LEG

### Assemble the other footrest leg (Component B).

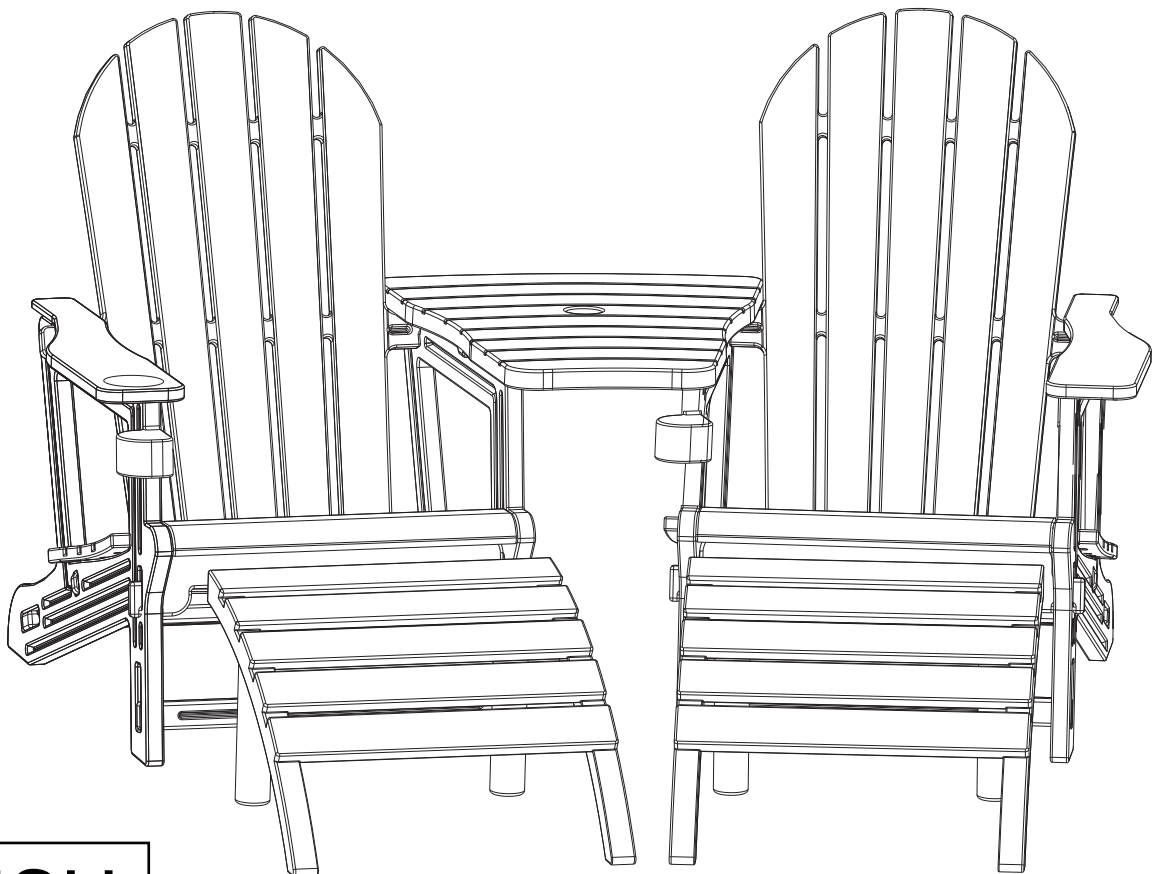
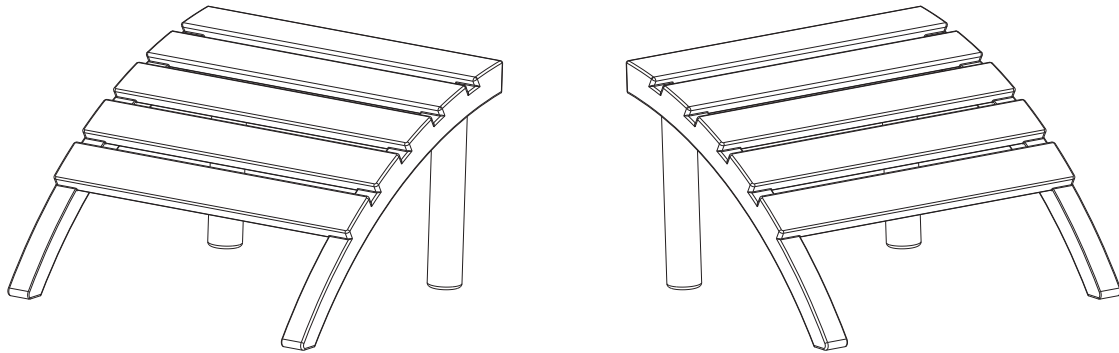
1. Align the threaded post of the footrest leg with the threaded hole at the bottom of the footrest (as shown in the figure).
2. Rotate the footrest leg clockwise along the threaded hole until it is firmly tightened (as shown in the figure).





## Step 13

Follow Steps 11 and 12 to assemble the other footrest.



**FINISH**

## Warning

Seller is responsible for the product-related issues occurred upon receipt, but will not be responsible for the personal injury, property damage or loss resulting from the incorrect assembly, improper use, inadequate maintenance or neglect of this product.