

INSTALLATION INSTRUCTIONS

Please read carefully and save these instructions, as you may need them at a later

CAUTION

WARNING: Risk of Fire. Consult a qualified electrician to ensure correct branch circuit conductor.

Turn off the main power at the circuit breaker before installing the fixture in order to prevent possible shock.

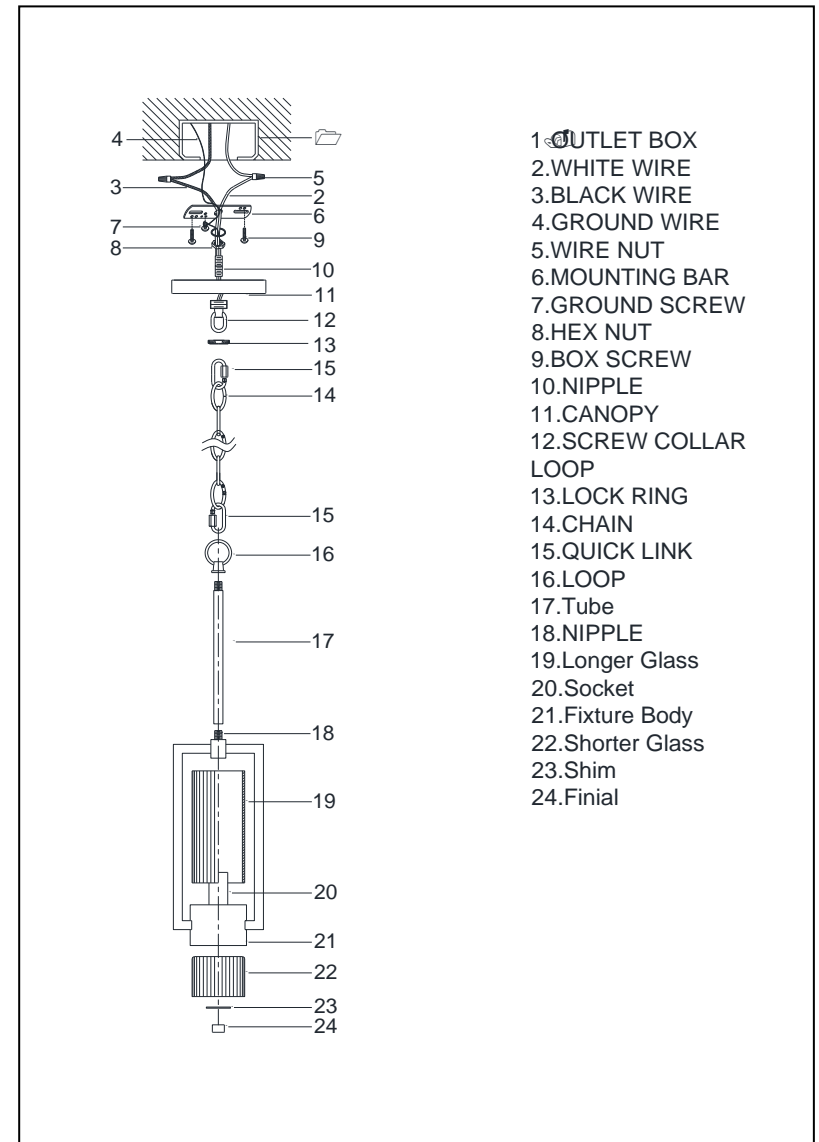
GENERAL

All electrical connections must be in accordance with local and National Electrical Code (N.E.C.) standards. If you are unfamiliar with proper electrical wiring connections obtain the services of a qualified electrician.

Remove the fixture and the mounting package from the box and make sure that no parts are missing by referencing the illustration.

ASSEMBLY AND INSTALLATION

1. Lock the loop (16) and tube (17) on the nipple (18) of the fixture.
2. Attach mounting bar (6) with threaded nipple (10) and screw collar loop (12) and lock ring (13) to outlet box (1) secured with two box screws (9). Secure the canopy (11) with lock ring (13) to the screw collar loop (12)
3. Attach quick links (15) to the screw collar loop (12) and the appropriate amount of chain(15).
5. Slide the lock ring (13) and the canopy (11) down the chain (14). Open the quick link (15) at the other end and then hook onto top of fixture (16), close the quick links.
6. Thread the wires through the chain and the screw collar loop (12) and thread nipple (10) up to outlet box.
7. Pull out the outlet wire and ground wire from the outlet box
Make wire connections with wire nuts (5).
--Ribbed wire (W/O marking) or white wire from light to White wire (2) from power source.
--Smooth wire (W marking) or black wire from light to Black wire (3) from power source.
--Attach the ground wire (4) to mounting bar (7) with a ground screw (8).
8. Raise canopy (11) against ceiling and lock it in position by lock ring (13) onto the screw collar loop (12).
9. Place the longer glass shade (19) onto the Socket (20).
- 10.Place the shorter glass shade (22) into the bottom of fixture body (21) then secure with Finial (24) and Shim (23).
11. Install bulbs: (bulbs not included)
(Don't exceed the maximum capacity recommended on the sockets).



INSTALLATION IS NOW COMPLETED