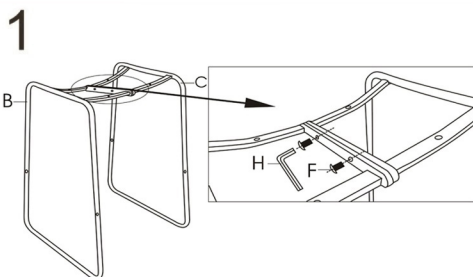
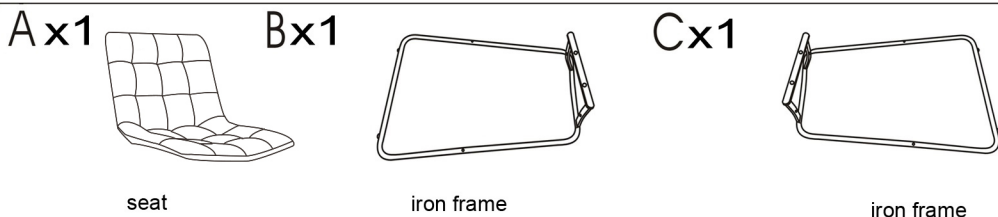
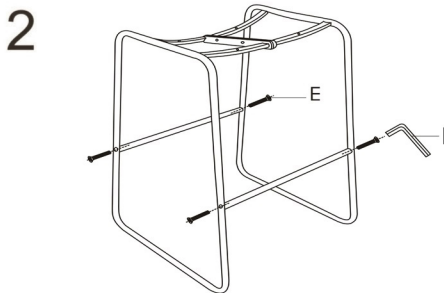


ASSEMBLY INSTRUCTION

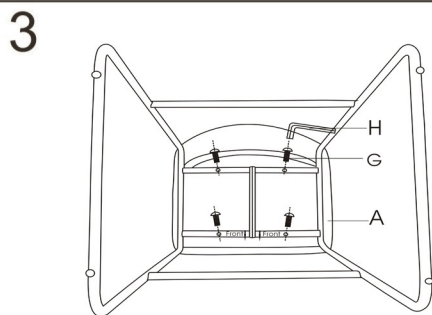


Step 1~3. Lock the screw 60%-80% at first,
 Step 4. 50KG or adult seat in chair, then tighten the screws

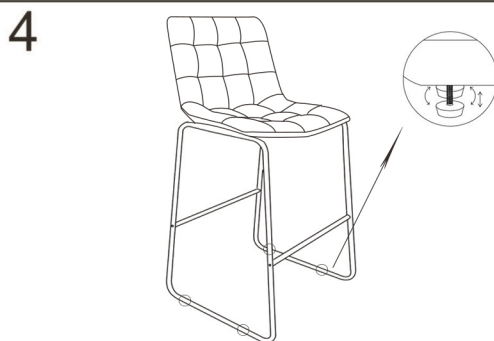
1. Find iron frame (B) and (C)
 Fix them with screws (F)



2. Find footrest (D) install it on the frame (B) and (C), Fix it with screws (E)



3. Install the frame (B) and (C) under the seat (A).
 Fix it with screws (G).



4. Finished.