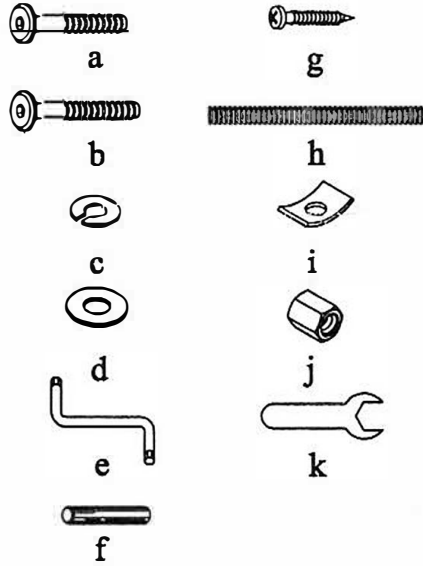


# ASSEMBLY INSTRUCTIONS

## A . Components :

- |                    |     |
|--------------------|-----|
| 1. Headboard Panel | 1 x |
| 2. Footboard Panel | 1 x |
| 3. HB Right Leg    | 1 x |
| 4. HB Left Leg     | 1 x |
| 5. Stretcher       | 1 x |
| 6. Bed Rail        | 2 x |
| 7. Slat            | 4 x |
| 8. Slat Support    | 8 x |



## B . Hardware :

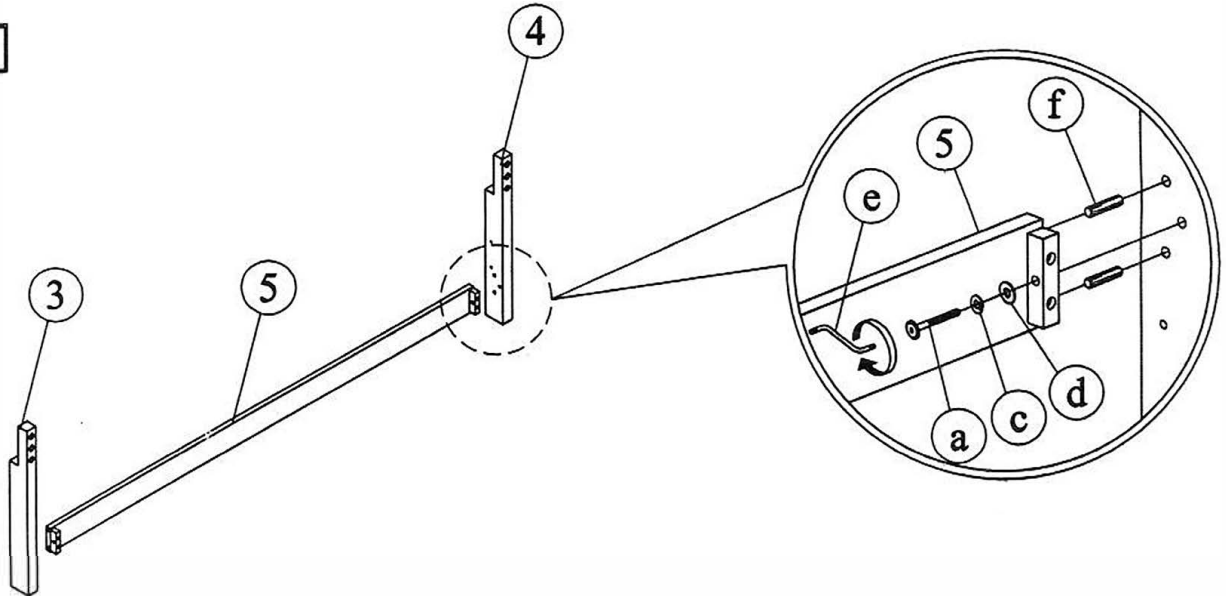
- |    |                    |     |
|----|--------------------|-----|
| a. | Allen Bolt Ø6x35mm | 2 x |
| b. | Allen Bolt Ø6x50mm | 6 x |
| c. | Lock Washer        | 8 x |
| d. | Flat Washer        | 8 x |
| e. | Allen Key          | 1 x |
| f. | Dowel              | 4 x |
| g. | Screw              | 8 x |
| h. | Stud Bolt          | 8 x |
| i. | Square Washer      | 8 x |
| j. | Hex Nut            | 8 x |
| k. | Wrench             | 1 x |

## B . Tool Required :

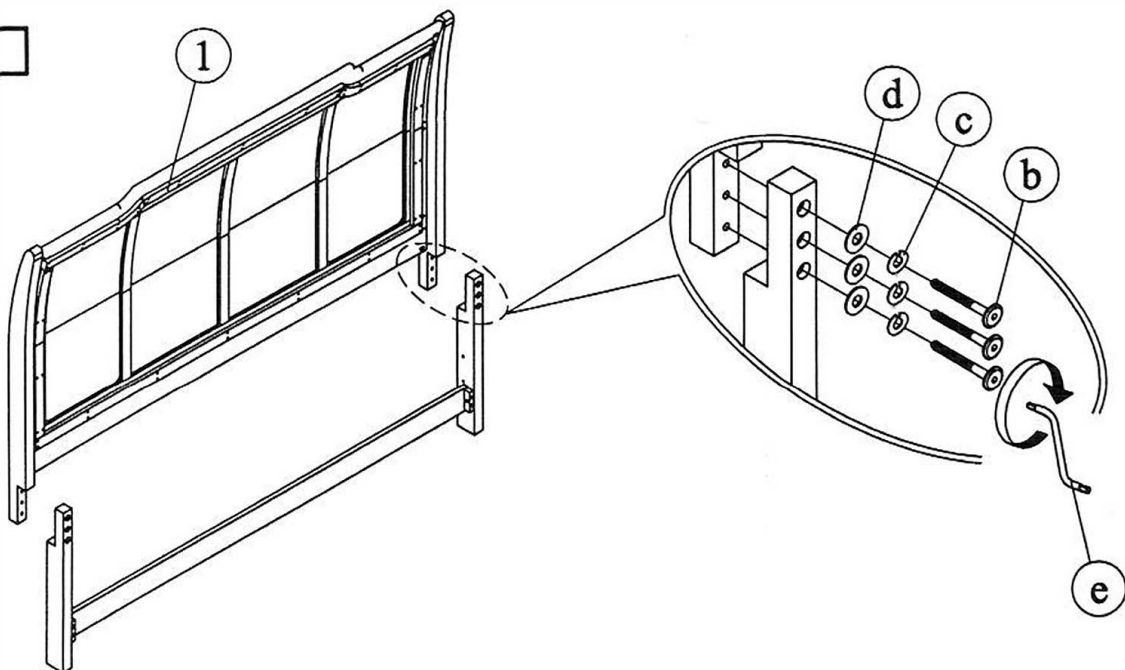
1. Screw Driver = (not included)



### STEP 1

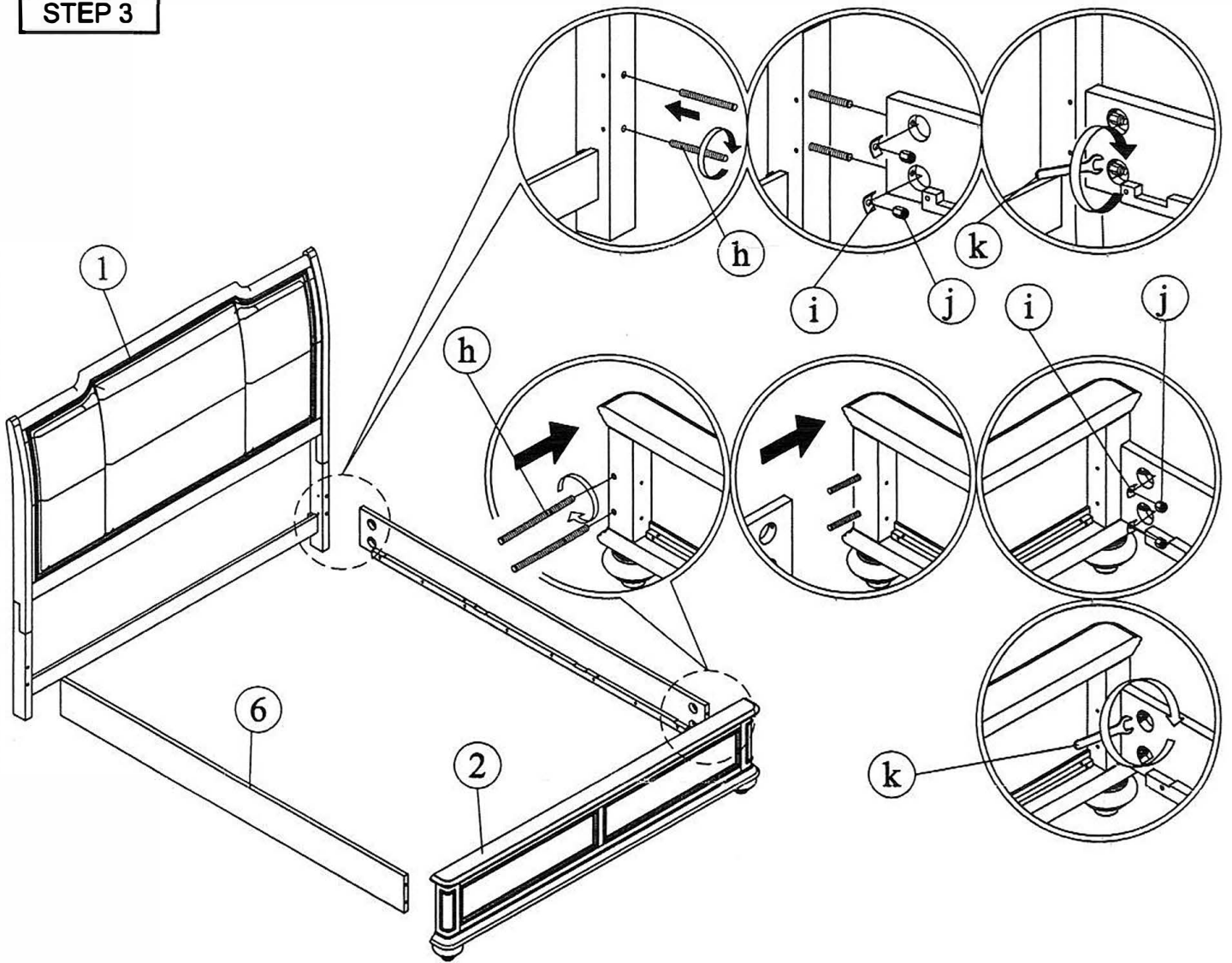


### STEP 2



# ASSEMBLY INSTRUCTIONS

## STEP 3



## STEP 4

