

## Warranty

Our office chair come with a 1- year warranty from the date of purchase.  
In any circumstance that the product arrives damaged or missing parts.  
We are more than happy to provide you with replacement part.

## Warm Tips

Please read the instructions carefully before assembly and  
make sure you have the parts & hardware as identified on the list.

It is highly recommended to assemble the chair on a  
soft clean surface to avoid scratches.

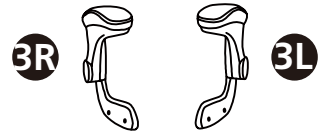
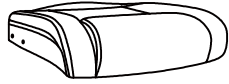
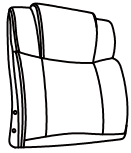
# Executive Office Chair

## Model:7032A

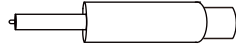
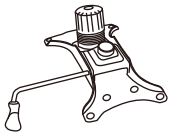


## Parts List

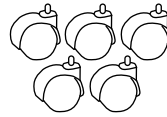
- 1** Backrest   **2** Seat Cushion   **3** Armrest



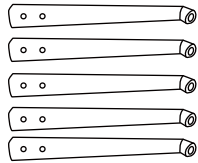
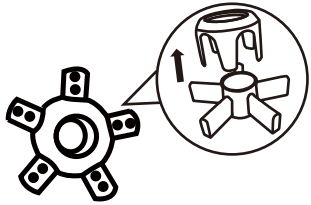
- 4** Mechanism   **5** Gaslift



- 6** Castors








- 7** Base   **8** Base Legs



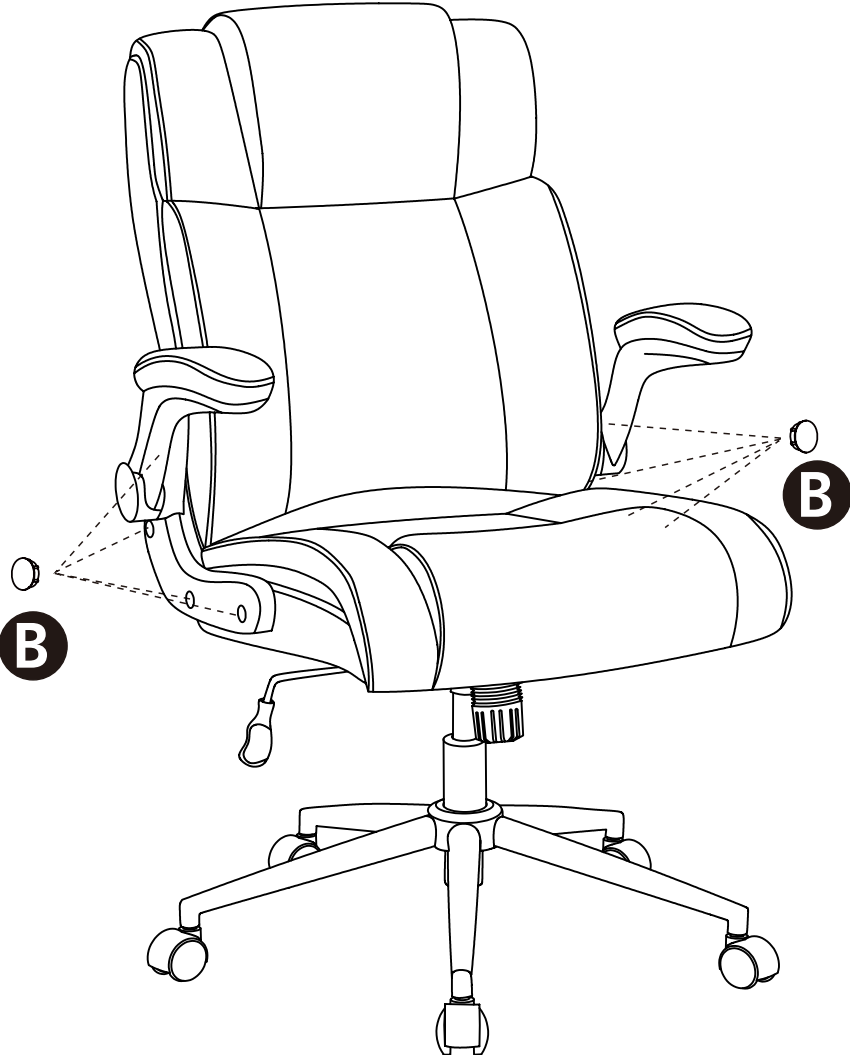
Step 9:



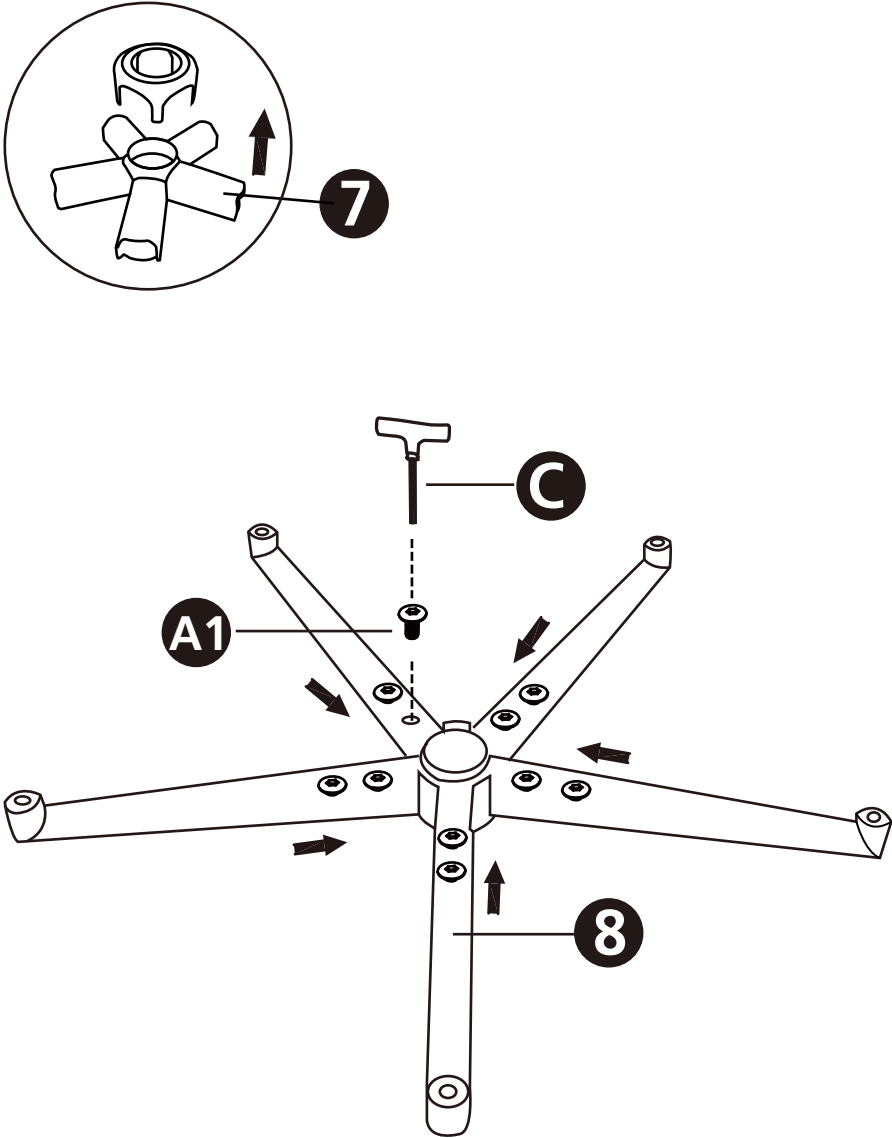
## Hardware Kit

- |                                |   |    |
|--------------------------------|---|----|
| <b>A1</b> Small Bolts(M6×12mm) |  | 10 |
| <b>A2</b> Big Bolts(M6x20mm)   |  | 4  |
| <b>A3</b> Big Bolts(M6x25mm)   |  | 8  |
| <b>B</b> Caps                  |  | 8  |
| <b>C</b> Allen Key             |  | 1  |

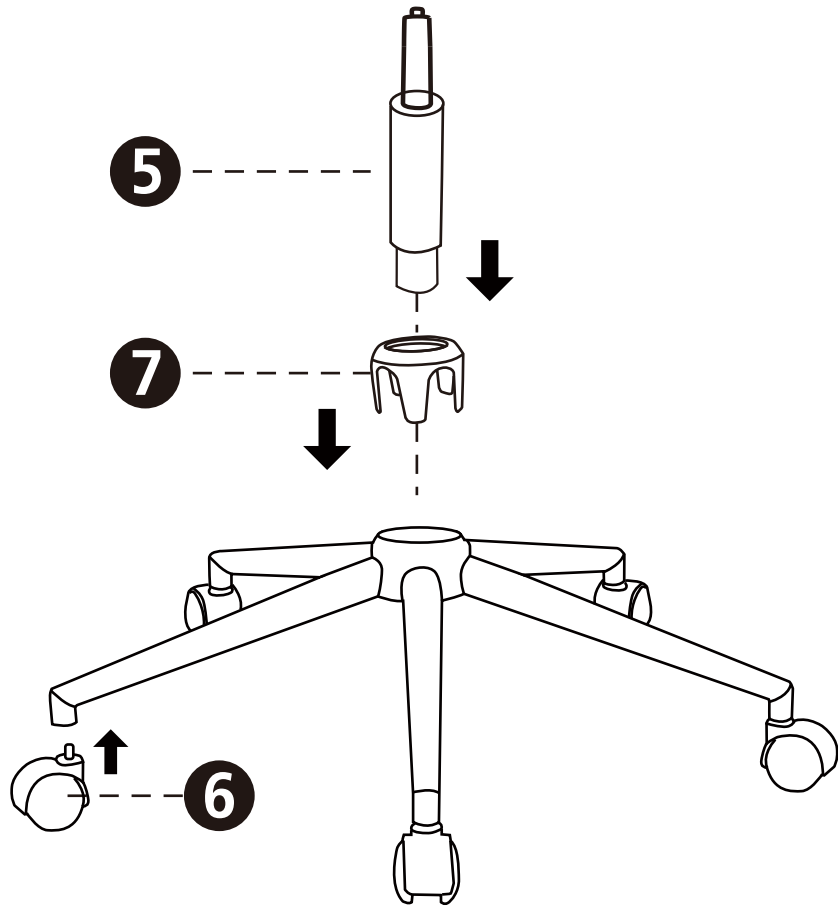
Step 8:



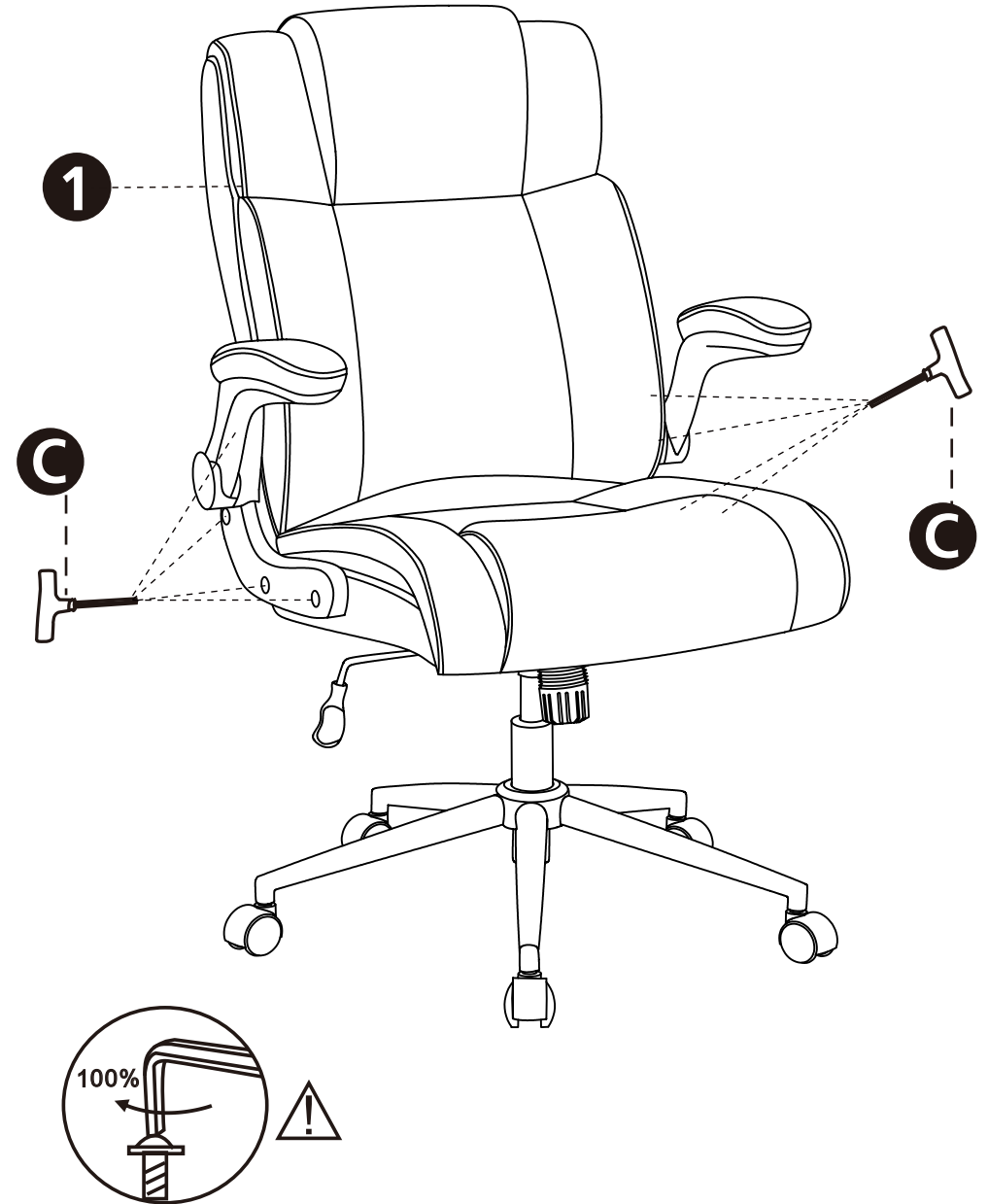
Step 1:



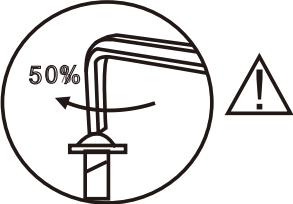
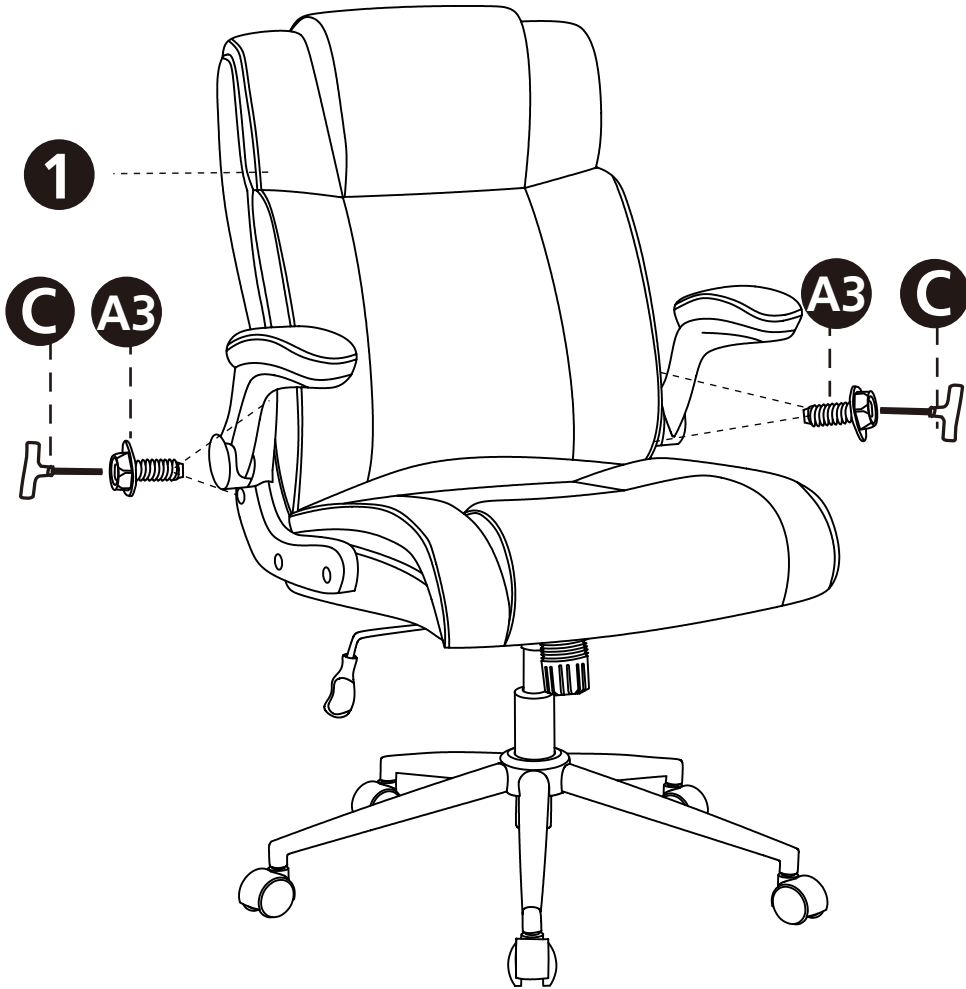
Step 2:



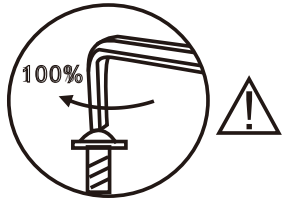
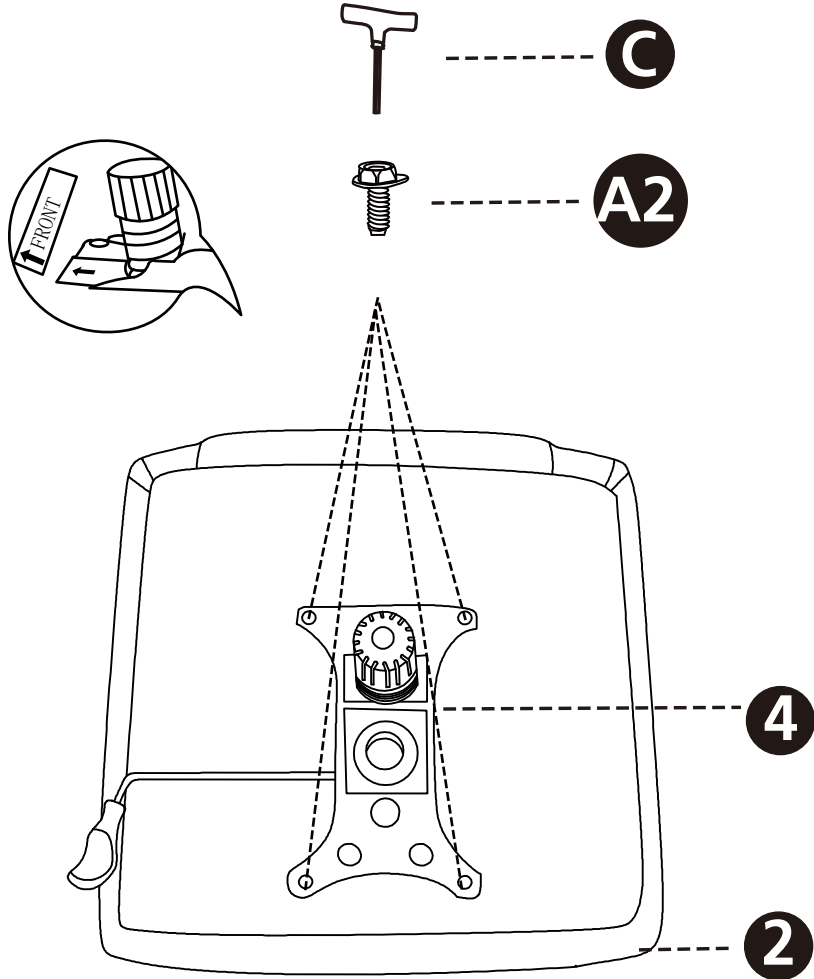
Step 7: Then Tighten All the Screw by 100%.



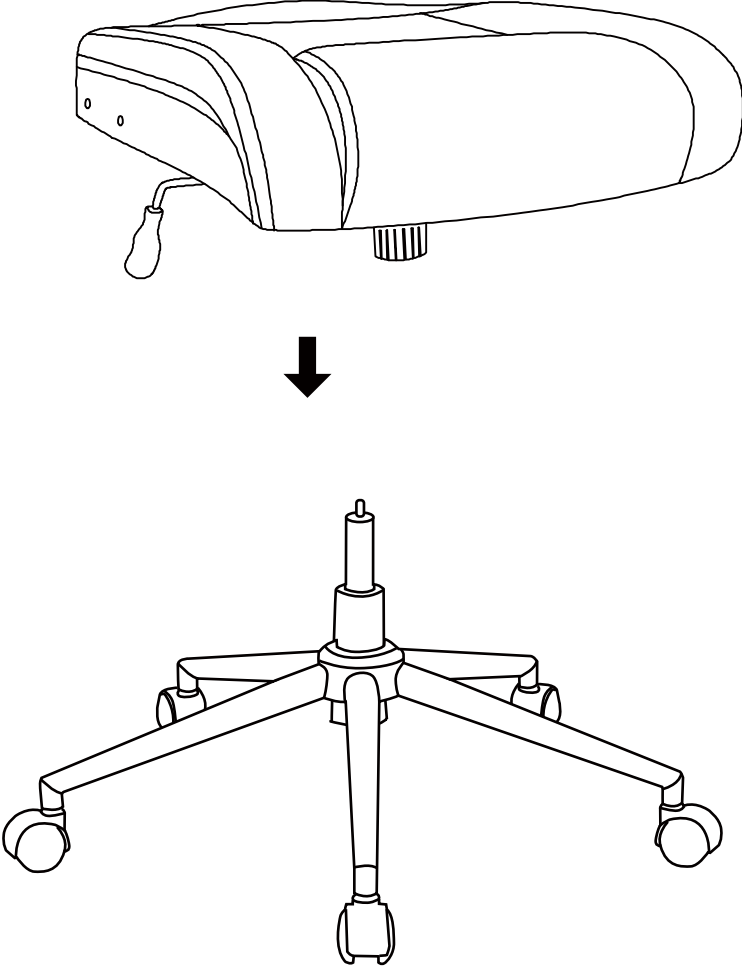
Step 6:



Step 3:



Step 4:



Step 5:

