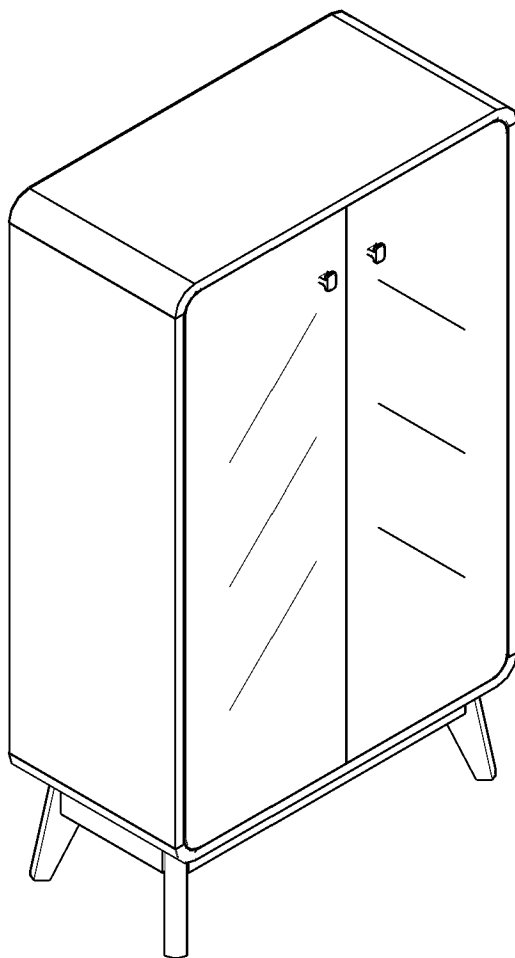


ASSEMBLY INSTRUCTIONS

LV44 SC4415MP-CLB

12.3.2024



Let's get started!



Read through all of the instructions before starting



Care instructions are listed in the last step of this manual



Approx. 60 minutes assembly time



Make sure you have all parts and components before discarding any packing materials



2 people recommended for assembly

Only use hand tools to assemble this item. Do not use power tools. Do not tighten bolts or screws completely until all hardware is lined up and inserted into the holes.

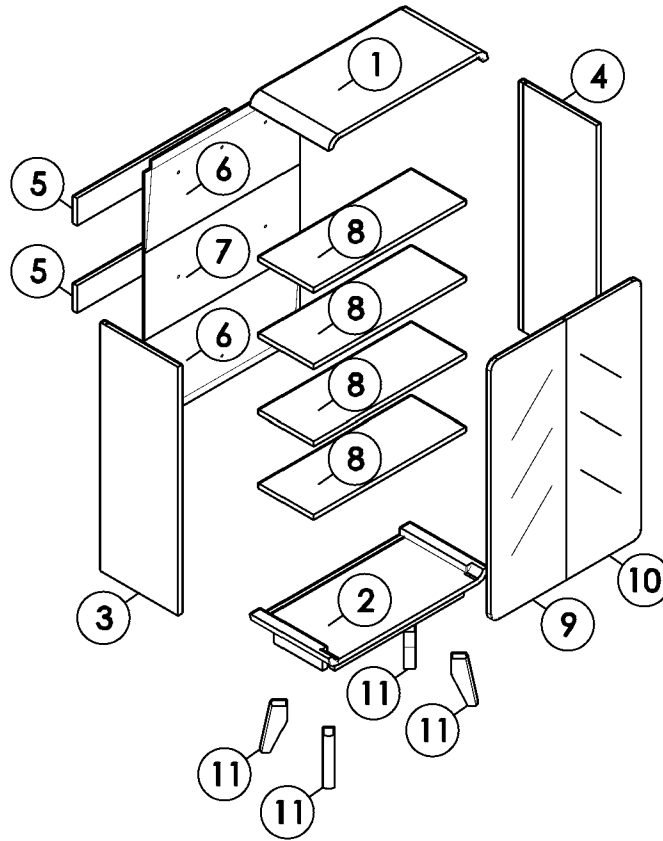
Do not over-tighten screws and bolts to avoid stripping the hardware or cracking the item.

Assemble your item on a flat, carpeted area, with plenty of space to work. This will prevent damage and scratches to your floors or the item while you're assembling the product.





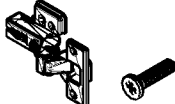



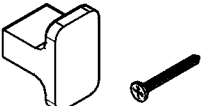
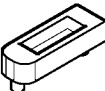

Keep all components and packing out of reach of children or animals to avoid risk of choking or suffocation.

Furniture components:

- ① Top Panel x1
- ② Bottom Panel x1
- ③ Side Pane (L) x1
- ④ Side Panel (R) x1
- ⑤ Back Support Panel x2
- ⑥ Top & Bottom Back MDF Board x2
- ⑦ Center Back MDF Board x1
- ⑧ Shelf Panel x4
- ⑨ Door Panel (L) x1
- ⑩ Door Panel (R) x1
- ⑪ Leg Panel x4



Provided hardware:

- | | | | |
|---|---|---|---|
|  |  |  |  |
| A Minifix M5x24MM 12 Pcs | B Minifix Casing 12 Pcs | C Wood Dowel M8x30MM 16 Pcs | D Iron Shelf Support 16 Pcs |
|  |  |  |  |
| E Hydraulic Hinges 7/8" 4 pcs | F Screw M7x50MM 8 Pcs | G Screw M3.5x16MM 16 Pcs | H Allen Key 1 Pc |
|  |  |  | |
| I PVC Knock Handle 2 Pcs | J Stopper Insert 2 Pcs | K White Leg Pin 4 Pcs | |

What you need:



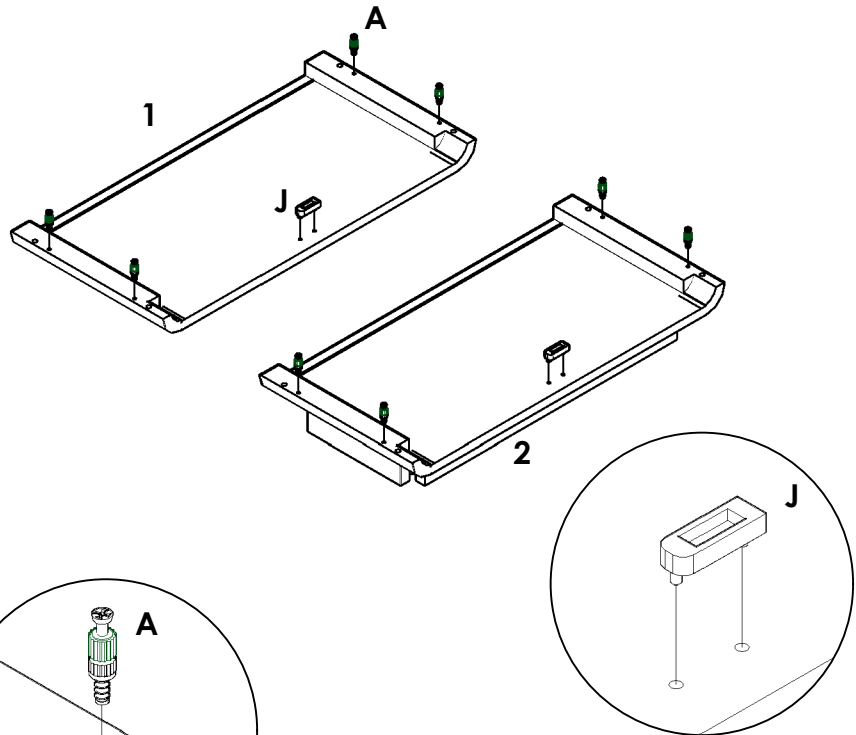
Step 1

HARDWARE :

- (A) Minifix M5x24MM x8
- (J) Stopper Insert x2

COMPONENTS :

- (1) Top Panel x1
- (2) Bottom Panel x1



Installation Minifix Screw:
Please insert the screw (A) on panel using a screwdriver.

Installing the Stopper:

Place the hardware L stopper in position.
Secure with Hammer: Use a hammer to gently tap the L stopper into place, ensuring it aligns with the hole for the door stopper.

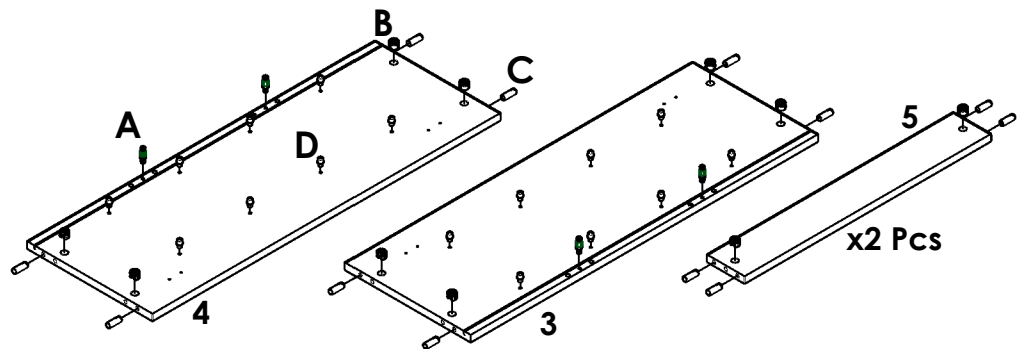
Step 2

HARDWARE :

- (A) Minifix M5x24MM x4
- (B) Minifix Casing x12
- (C) Wood Dowel x16
- (D) Iron Shelf Support x16

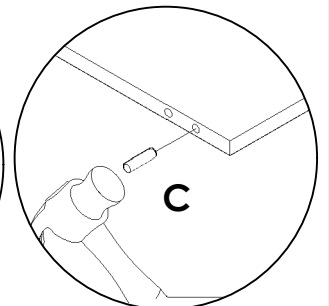
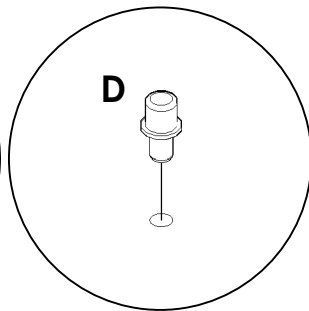
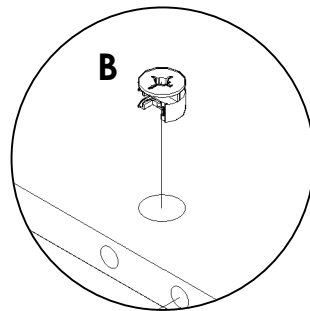
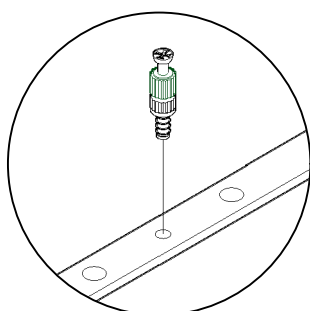
COMPONENTS :

- (3) Side Panel (L) x1
- (4) Side Panel (R) x1
- (5) Back Support Panel x2



Installation Wood Dowel:

As Shown, Please using the hammer to insert the wood dowel(C) and iron shelf support (D) into hole of panel.



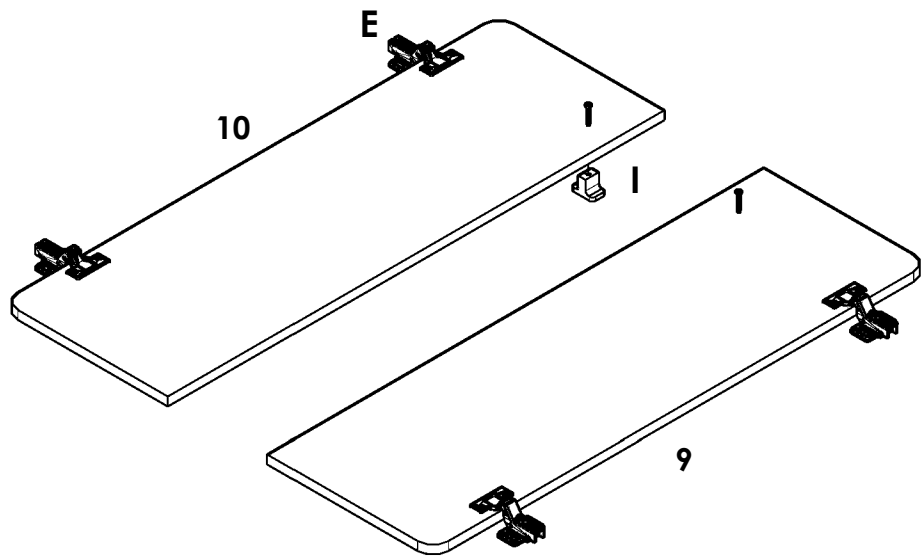
Step 3

HARDWARE :

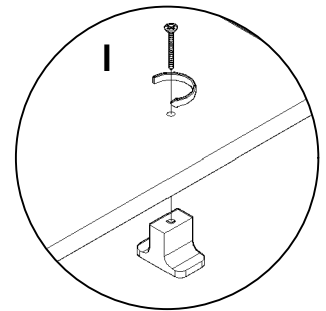
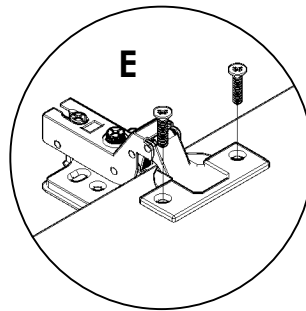
- Ⓔ Hydraulic Hinges 7/8" x4
Screw M3.5x16 x8
- Ⓛ PVC Knock Handle x2

COMPONENTS :

- Ⓗ Door Panel (L) x1
- Ⓣ Door Panel (R) x1



Installation Hinges:
Insert the screw into the hole of the Hinges with using the screwdriver.



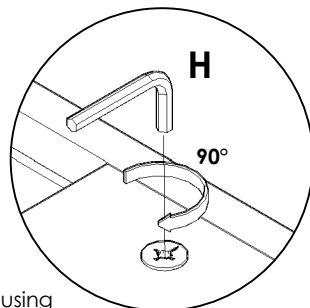
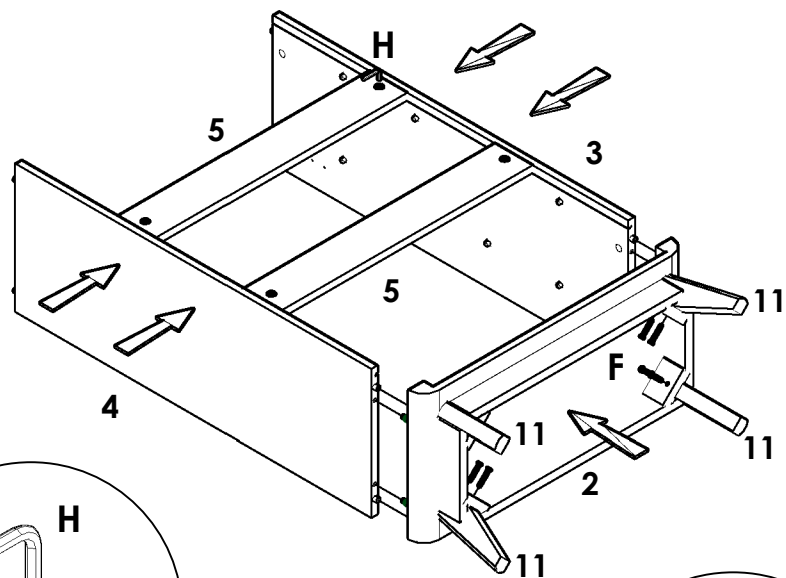
Step 4

HARDWARE :

- Ⓕ Screw M7x50MM x8
- Ⓚ Allen Key x1

COMPONENTS :

- Ⓝ Side Panel (L) x1
- Ⓞ Side Panel (R) x1
- Ⓟ Back Support Panel x2
- Ⓒ Bottom Panel x1
- Ⓛ Leg Panel x4

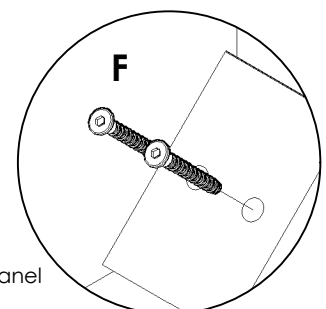


Installation:

As shown, the head of minifix housing goes into the open mouth of the mini fix bolt. Use Allen Key then turn the minifix housing so it tightens over the mini fix bolt.

Installation Leg Panel:

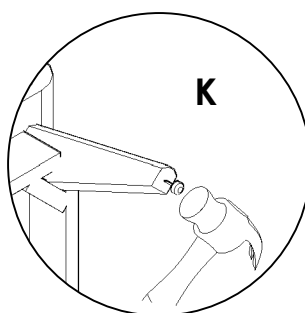
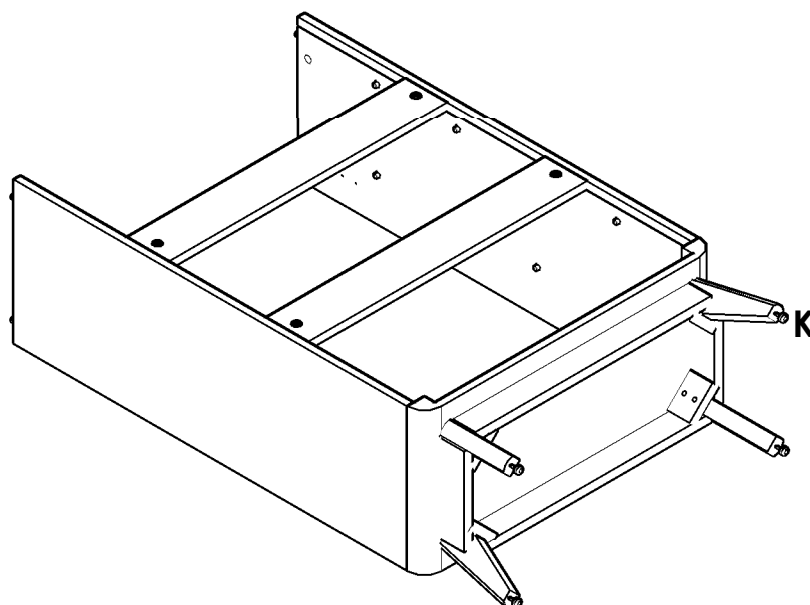
As Shown, insert the screw F the on the leg panel with using an allen key.



Step 5

HARDWARE :

(K) White Leg Pin x4



Installing the White Leg Pin:

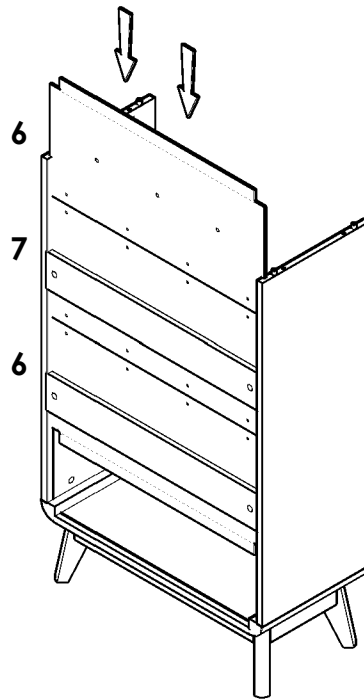
Place the hardware K white leg pin in position.

Secure with Hammer: Use a hammer to gently tap the K white leg pin into place.

Step 6

COMPONENTS :

- ⑥ Top & Bottom Back MDF Board x2
- ⑦ Center Back MDF Board x1



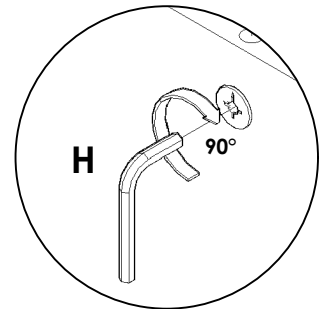
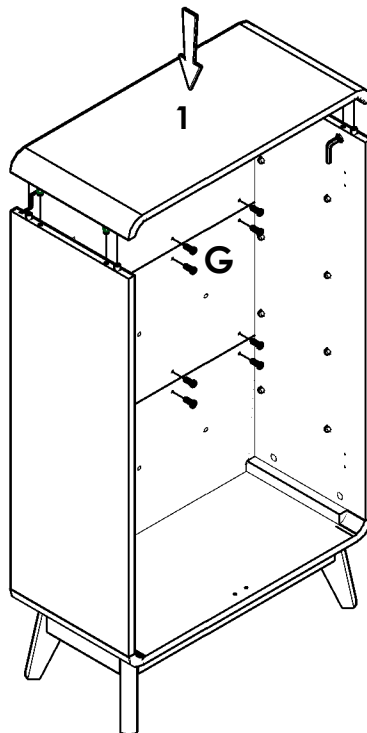
Step 7

HARDWARE :

- Ⓜ Allen Key x1
- Ⓒ Screw M3.5x16MM x16

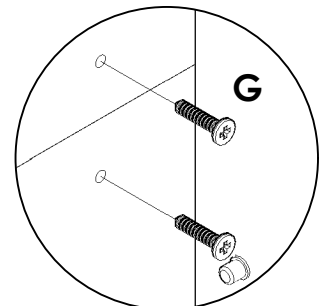
COMPONENTS :

- ① Top Panel x1



Installation:

As shown, the head of minifix housing goes into the open mouth of the mini fix bolt. Use Allen Key then turn the minifix housing so it tightens over the mini fix bolt.



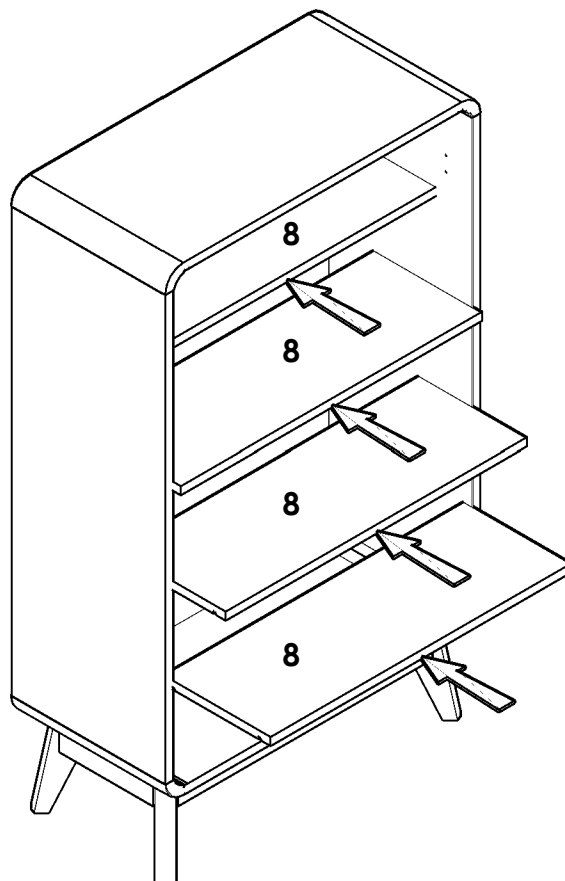
Installation Screw:

Use the screw driver to tighten the screw G at the side of hole into front view.

Step 8

COMPONENTS :

- ⑧ Shelf Support x4



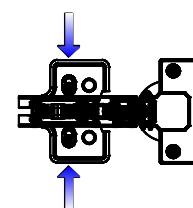
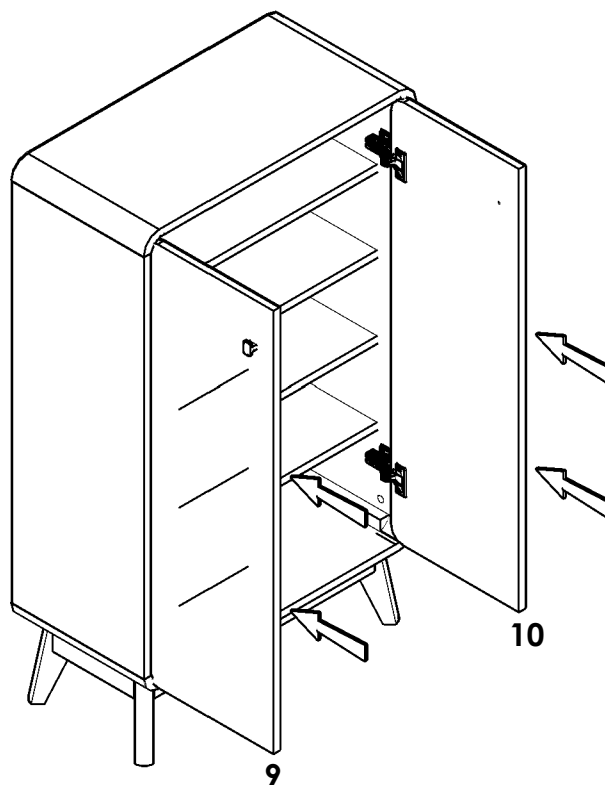
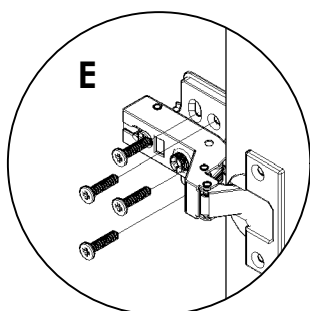
Step 9

HARDWARE :

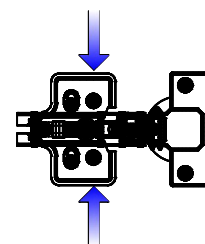
- Ⓔ Hydraulic Hinges 7/8" x4
Screw 3.5x16MM x16

COMPONENTS :

- ⑨ Door Panel (L) x1
- ⑩ Door Panel (R) x1



#Adjust the door by moving it up and down or left and right the tighten the screws



#Tighten the screws to prevent sliding doors>

Great job!

Model Description assembly is complete.



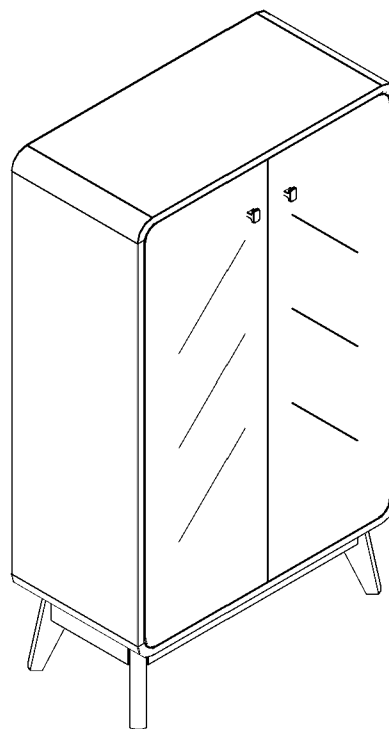
CARING FOR YOUR ITEM

Indoor use only.

Not contract grade.

Clean using a non-abrasive cloth and a mild cleaner.

Never use harsh chemicals, as they could damage the finish or integrity of the item.

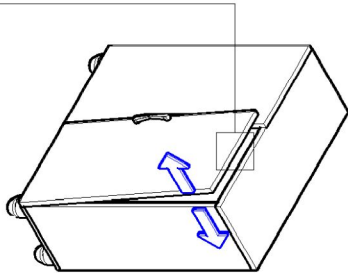




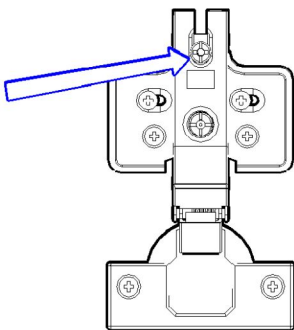
HOW TO ADJUST GLASS/DOORS

- There is a gap between the door and the shelf with doors closed

Loosen the back adjustable screw which is one of the two screws looking from the front while supporting the doors, adjust the door by moving it back and forth, then tighten the back screw.



If there is a gap between the doors on the top.

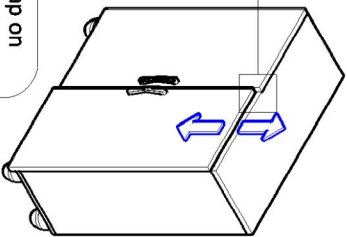


Loosen this screw, adjust by moving back and forth

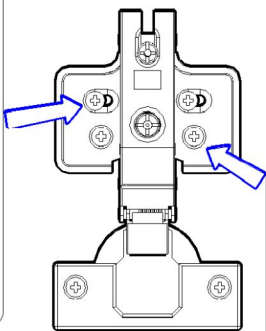
- There is a gap on the top of the door when doors are closed

(Glass slide hinge does not require this step)
(4 screw hole hinge does not require ①)

Loosen the slide hinge screw while supporting the door, adjust the door by moving it up and down then tighten the screws.
(Please loosen the slide hinge screws of the door completely you are adjusting before moving it up and down.)



If there is a gap on the top of the door

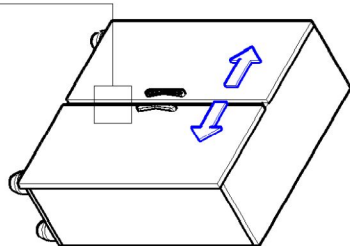


① Open screw

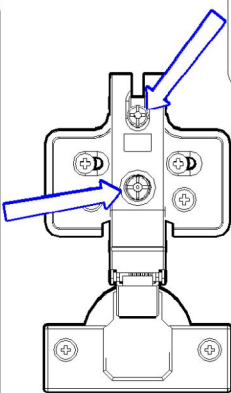
② Slide hinge screws (Please loosen these screws before adjusting)

- There is a gap in the middle with doors closed

Loosen the ① back adjustable screw which is one of the two screws looking from the front while supporting the doors, tighten the ② screw clockwise, then adjust the middle gap. After adjusted, tighten the ① screw.



If the gap is wide



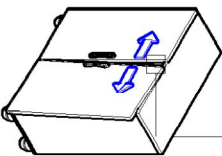
① Fixing screw

② Adjusting screw
(If you twist clockwise once, the door moves about 2mm inward)

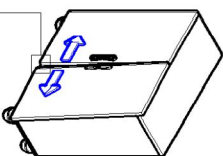
- There is a V gap when doors are closed

Loosen the ① back adjustable screw which is one of the two screws looking from the front while supporting the doors, tighten the ② screw clockwise, then adjust the middle gap. After adjusted, tighten the ① screw.

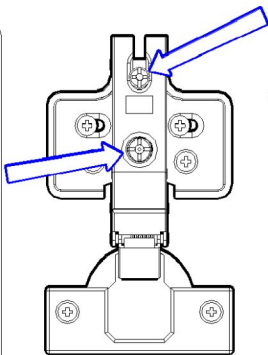
If there is a gap between the doors on the top (Please adjust slide hinge the top part door)



If there is a gap between the doors on the bottom (Please adjust slide hinge the bottom part door)



① Fixing screw



② Adjusting screw
(If you twist clockwise once, the door moves about 2mm inward)